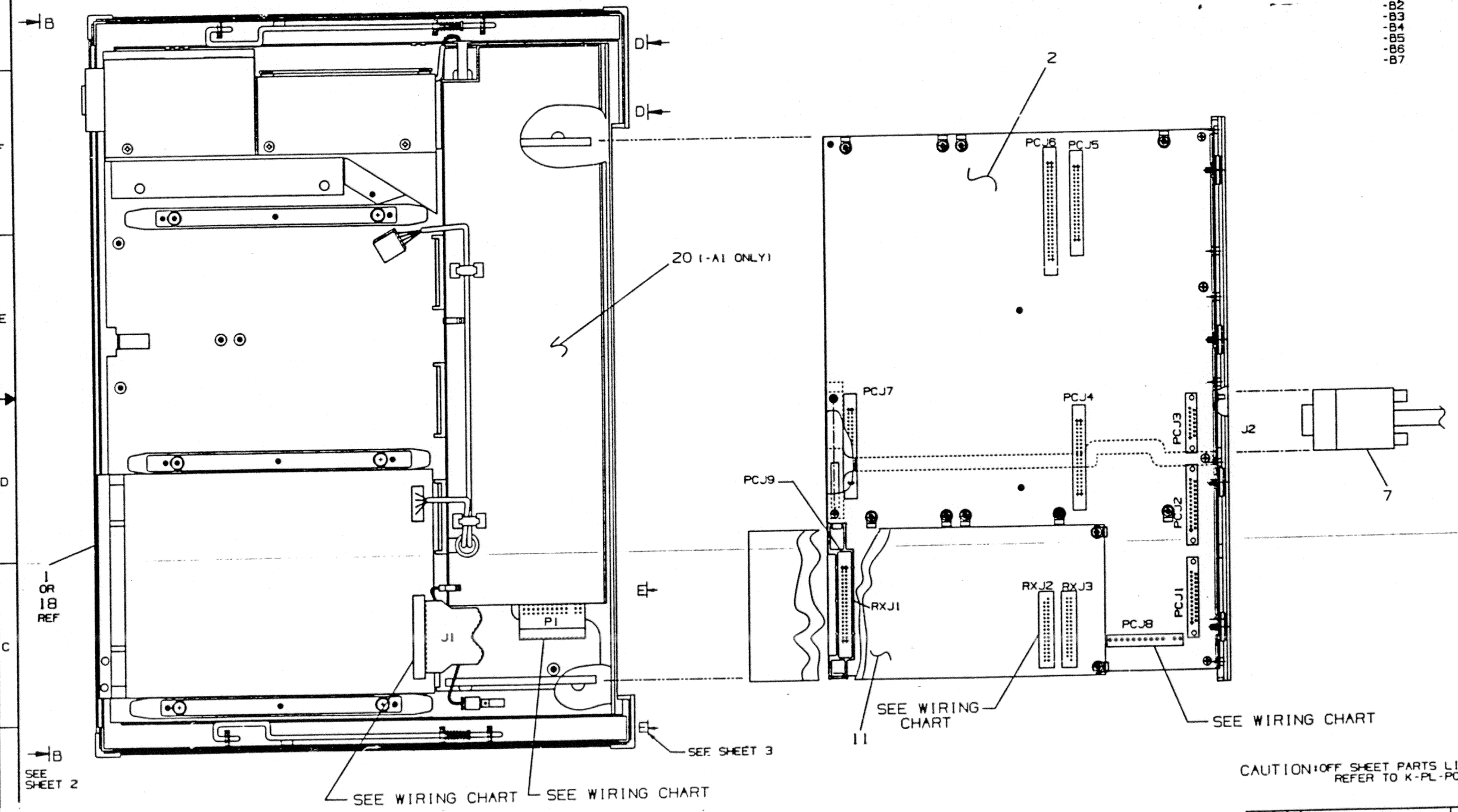


NOT BE REPRODUCED OR COPIED OR USED IN WHOLE OR IN PART AS THE BASIS FOR THE MANUFACTURE OR SALE OF THIS PRODUCT WITHOUT WRITTEN PERMISSION. COPYRIGHT © 1983 DIGITAL EQUIPMENT CORPORATION

ITEM NO.	FROM	TO	REMARKS
	J1 (BA25-B) PART OF ITEM 1	RXJ2 (5415482-00) PART OF ITEM 11	J1 USED TO IDENTIFY CABLE
39	P1 (BA25-B) PART OF ITEM 1	PCJ8 (5415486-01) PART OF ITEM 2	P1 USED TO IDENTIFY CABLE
7		PCJ3 (5415486-01) PART OF ITEM 2	CONNECTION SHOWN AS REFERENCE. DO NOT CONNECT BEFORE SHIPPING. SHIP SEPERATELY.

PART NUMBER	REV	DESCRIPTION
PC100-A		AS SHOWN
THRU -AN	SEE DO	

- WILL BE SHIPPED SEPARATELY AND INSTALLED AT CUSTOMER SITE.
- PLACE ITEM 17 OR 22 OR 33 OR 34 OR 35 OR 36 OVER A.C. POWER INLET.
 - ITEM #18, QTY OF 2 TO BE SHIPPED LOOSE PIECE. QUANTITY OF 2 WILL BE PLACED ON SHIPPING CONTAINER. MARK ITEM 18, BLANK BAR CODE LABEL, WITH PART NO. AND PART REVISION PER JEC. PACKAGING LOGO SPECIFICATION 9905210.
 - THE POWER SUPPLY VOLTAGE SELECT SWITCH MUST BE IN THE PROPER POSITION AS INDICATED:
- | -VARIATION | SWITCH POSITION |
|------------|-----------------|
| -A | 115V |
| -AN | 115V |
| -AJ | 115V |
| -B2 | 115V |
| -B3 | 230V |
| -B4 | 230V |
| -B5 | 230V |
| -B6 | 230V |
| -B7 | 230V |



REV	DESCRIPTION	DATE	BY
1	INITIAL		
2	PC100-0-DBP		
3	PC100-0-DBP		
4	PC100-0-DBP		
5	PC100-0-DBP		
6	PC100-0-DBP		
7	PC100-0-DBP		
8	PC100-0-DBP		
9	PC100-0-DBP		
10	PC100-0-DBP		
11	PC100-0-DBP		
12	PC100-0-DBP		
13	PC100-0-DBP		
14	PC100-0-DBP		
15	PC100-0-DBP		
16	PC100-0-DBP		
17	PC100-0-DBP		
18	PC100-0-DBP		
19	PC100-0-DBP		
20	PC100-0-DBP		

ITEM 1 SHOWN WITH COVER REMOVED

CAUTION: OFF SHEET PARTS LIST EXISTS REFER TO K-PL-PC100-0-DBP

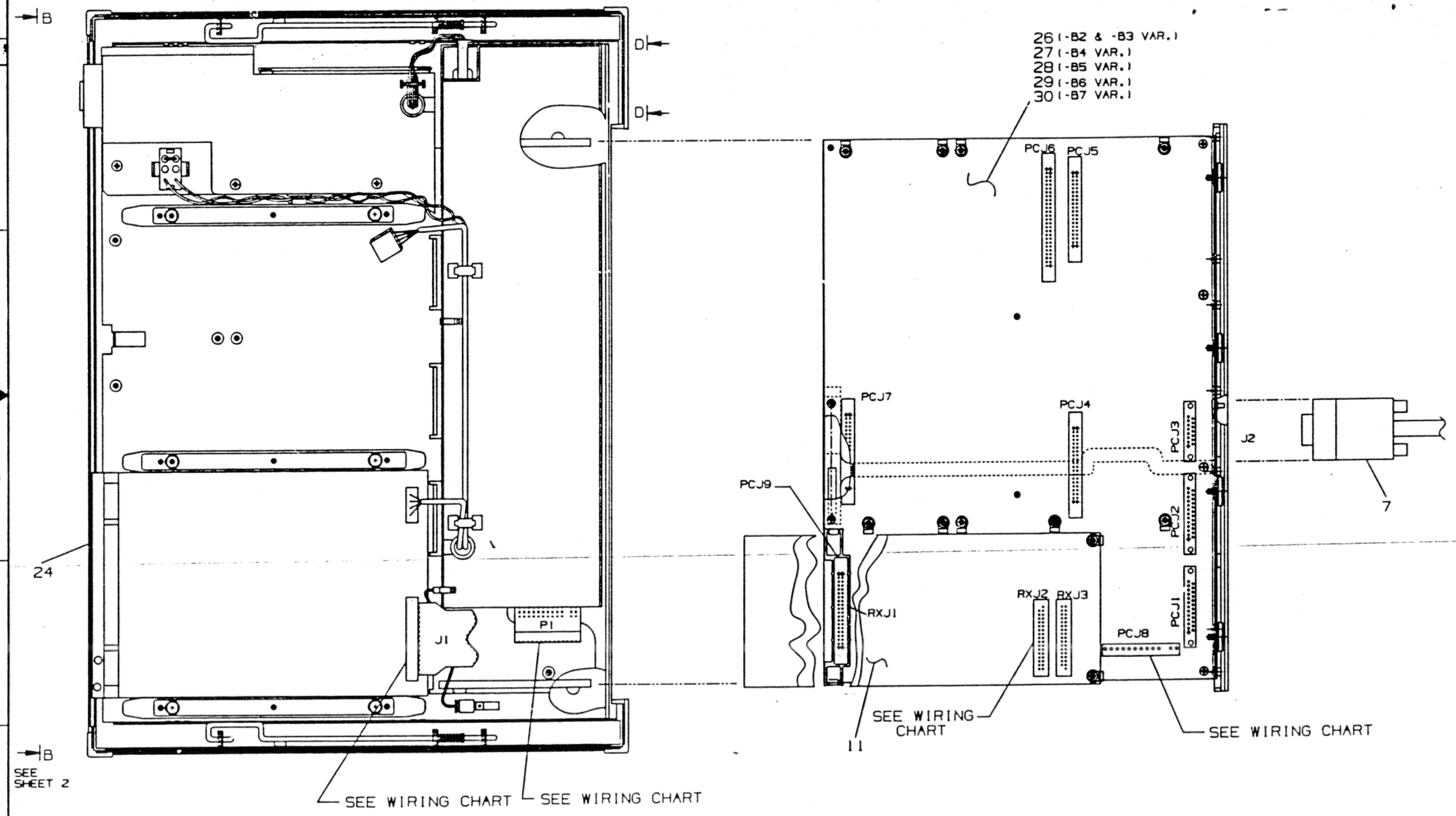
DESCRIPTION	DRAWING NO.	PART NO.
UNLESS OTHERWISE SPECIFIED DIMENSIONS ARE IN INCHES AND THE FOLLOWING TOLERANCES APPLY (PER DEC STD 114)		
DIMENSION RANGE IN INCHES		
0.000 - 0.250	±0.005	
0.250 - 0.500	±0.005	
0.500 - 1.000	±0.005	
1.000 - 2.000	±0.005	
2.000 - 3.000	±0.005	
3.000 - 4.000	±0.005	
4.000 - 6.000	±0.005	
6.000 - 10.000	±0.005	
10.000 - 18.000	±0.005	
18.000 - 30.000	±0.005	
30.000 - 48.000	±0.005	
48.000 - 72.000	±0.005	
72.000 - 108.000	±0.005	
108.000 - 162.000	±0.005	
162.000 - 216.000	±0.005	
216.000 - 324.000	±0.005	
324.000 - 486.000	±0.005	
486.000 - 729.000	±0.005	
729.000 - 1080.000	±0.005	
1080.000 - 1620.000	±0.005	
1620.000 - 2430.000	±0.005	
2430.000 - 3645.000	±0.005	
3645.000 - 5467.500	±0.005	
5467.500 - 8201.250	±0.005	
8201.250 - 12301.875	±0.005	
12301.875 - 18452.812	±0.005	
18452.812 - 27679.219	±0.005	
27679.219 - 41518.828	±0.005	
41518.828 - 62278.242	±0.005	
62278.242 - 93417.363	±0.005	
93417.363 - 140126.044	±0.005	
140126.044 - 210189.066	±0.005	
210189.066 - 315283.599	±0.005	
315283.599 - 472925.398	±0.005	
472925.398 - 709388.097	±0.005	
709388.097 - 1064082.146	±0.005	
1064082.146 - 1596123.219	±0.005	
1596123.219 - 2394184.828	±0.005	
2394184.828 - 3591277.242	±0.005	
3591277.242 - 5386915.863	±0.005	
5386915.863 - 8080373.794	±0.005	
8080373.794 - 12120560.691	±0.005	
12120560.691 - 18180841.037	±0.005	
18180841.037 - 27271261.556	±0.005	
27271261.556 - 40906892.334	±0.005	
40906892.334 - 61360338.501	±0.005	
61360338.501 - 92040507.752	±0.005	
92040507.752 - 138060761.628	±0.005	
138060761.628 - 207091142.442	±0.005	
207091142.442 - 310636713.663	±0.005	
310636713.663 - 465955070.494	±0.005	
465955070.494 - 698932605.741	±0.005	
698932605.741 - 1048398908.612	±0.005	
1048398908.612 - 1572598362.917	±0.005	
1572598362.917 - 2358897544.376	±0.005	
2358897544.376 - 3538346316.564	±0.005	
3538346316.564 - 5307519474.846	±0.005	
5307519474.846 - 7961279212.269	±0.005	
7961279212.269 - 11941918818.403	±0.005	
11941918818.403 - 17912878227.605	±0.005	
17912878227.605 - 26869317341.407	±0.005	
26869317341.407 - 40303976012.106	±0.005	
40303976012.106 - 60455964018.159	±0.005	
60455964018.159 - 90683946027.239	±0.005	
90683946027.239 - 136025919040.858	±0.005	
136025919040.858 - 204038878561.287	±0.005	
204038878561.287 - 306058317841.931	±0.005	
306058317841.931 - 459087476762.897	±0.005	
459087476762.897 - 688631215144.346	±0.005	
688631215144.346 - 1032946822716.519	±0.005	
1032946822716.519 - 1549420234074.778	±0.005	
1549420234074.778 - 2324130351112.167	±0.005	
2324130351112.167 - 3486195526668.251	±0.005	
3486195526668.251 - 5229293290002.377	±0.005	
5229293290002.377 - 7843939935003.566	±0.005	
7843939935003.566 - 11765909892505.349	±0.005	
11765909892505.349 - 17648864838758.024	±0.005	
17648864838758.024 - 26473297258137.036	±0.005	
26473297258137.036 - 39709945887205.554	±0.005	
39709945887205.554 - 59524918830808.331	±0.005	
59524918830808.331 - 88287378246212.501	±0.005	
88287378246212.501 - 132431067369318.752	±0.005	
132431067369318.752 - 198646601053978.128	±0.005	
198646601053978.128 - 297969901580967.192	±0.005	
297969901580967.192 - 446954852371450.788	±0.005	
446954852371450.788 - 670432278557176.182	±0.005	
670432278557176.182 - 1005648417835764.273	±0.005	
1005648417835764.273 - 1508472626753646.410	±0.005	
1508472626753646.410 - 2262708940130469.115	±0.005	
2262708940130469.115 - 3394063410195703.722	±0.005	
3394063410195703.722 - 5091095115293555.583	±0.005	
5091095115293555.583 - 7636642672940333.375	±0.005	
7636642672940333.375 - 11454963009410500.030	±0.005	
11454963009410500.030 - 17182444514115750.045	±0.005	
17182444514115750.045 - 25773666771173625.068	±0.005	
25773666771173625.068 - 38660500156760437.602	±0.005	
38660500156760437.602 - 57990750235140656.403	±0.005	
57990750235140656.403 - 86986125352710984.604	±0.005	
86986125352710984.604 - 129579188029061476.906	±0.005	
129579188029061476.906 - 194368782043592215.359	±0.005	
194368782043592215.359 - 291553173065388323.039	±0.005	
291553173065388323.039 - 437329759598082484.558	±0.005	
437329759598082484.558 - 655994639397123726.837	±0.005	
655994639397123726.837 - 984491959095685590.256	±0.005	
984491959095685590.256 - 1476737938643528385.384	±0.005	
1476737938643528385.384 - 2215096907965292578.071	±0.005	
2215096907965292578.071 - 3322645361947938867.107	±0.005	
3322645361947938867.107 - 4983968042921908300.661	±0.005	
4983968042921908300.661 - 7475952064382862450.991	±0.005	
7475952064382862450.991 - 11213928096574293676.487	±0.005	
11213928096574293676.487 - 16820892144861440514.730	±0.005	
16820892144861440514.730 - 25231338217292160772.095	±0.005	
25231338217292160772.095 - 37847007325938241158.143	±0.005	
37847007325938241158.143 - 56169510988907361737.214	±0.005	
56169510988907361737.214 - 84253266483361042605.816	±0.005	
84253266483361042605.816 - 126379899725041563908.724	±0.005	
126379899725041563908.724 - 189569849587562345863.086	±0.005	
189569849587562345863.086 - 284364774381343518794.629	±0.005	
284364774381343518794.629 - 426547161572015278191.943	±0.005	
426547161572015278191.943 - 640020742358022917287.915	±0.005	
640020742358022917287.915 - 952501113537034375931.872	±0.005	
952501113537034375931.872 - 1428751670305551563897.808	±0.005	
1428751670305551563897.808 - 2143127505458327345846.712	±0.005	
2143127505458327345846.712 - 3214691258187491018769.064	±0.005	
3214691258187491018769.064 - 4822036887281236528153.596	±0.005	
4822036887281236528153.596 - 7233055330921854792230.394	±0.005	
7233055330921854792230.394 - 10849583001382782188345.591	±0.005	
10849583001382782188345.591 - 16274374502074173282518.387	±0.005	
16274374502074173282518.387 - 24411561753111259923777.581	±0.005	
24411561753111259923777.581 - 36617342629666889885666.872	±0.005	
36617342629666889885666.872 - 54910963944500334828500.268	±0.005	
54910963944500334828500.268 - 82363445866750502242750.064	±0.005	
82363445866750502242750.064 - 123545168800125753364125.064	±0.005	
123545168800125753364125.064 - 185317753200188629046187.596	±0.005	
185317753200188629046187.596 - 277976629800282943569281.296	±0.005	
277976629800282943569281.296 - 416964944700424415353921.992	±0.005	
416964944700424415353921.992 - 625447417050636623030881.984	±0.005	
625447417050636623030881.984 - 938171125575954934546321.976	±0.005	
938171125575954934546321.976 - 1407256688363932301819488.000	±0.005	
1407256688363932301819488.000 - 2110885032545898452729228.000	±0.005	
2110885032545898452729228.000 - 3166327548818847679093824.000	±0.005	
3166327548818847679093824.000 - 4749491323228271518640640.000	±0.005	
4749491323228271518640640.000 - 7074236984842407277960960.000	±0.005	
7074236984842407277960960.000 - 10611355477263610916941440.000	±0.005	
10611355477263610916941440.000 - 15917033215895316375411840.000	±0.005	
15917033215895316375411840.000 - 23875549823842974563117440.000	±0.005	
23875549823842974563117440.000 - 35813323735764361844676800.000	±0.005	
35813323735764361844676800.000 - 53719981503646532766912000.000	±0.005	
53719981503646532766912000.000 - 80583970255469599150336000.000	±0.005	
80583970255469599150336000.000 - 120875955383204398725504000.000	±0.005	
120875955383204398725504000.000 - 181313933074806598088256000.000	±0.005	
181313933074806598088256000.000 - 27197089961220989713		

ITEM NO.	FROM	TO	REMARKS
	J1 (BA25-B) PART OF ITEM 24	RXJ2 (5415482-00) PART OF ITEM 11	J1 USED TO IDENTIFY CABLE
39	P1 (BA25-B) PART OF ITEM 24	PCJ8 PART OF CPU ASSY.	P1 USED TO IDENTIFY CABLE
7		PCJ3 PART OF CPU ASSY.	CONNECTION SHOWN AS REFERENCE. DO NOT CONNECT BEFORE SHIPPING. SHIP SEPERATELY.

PC100-B2 THRU -B7	SEE DO	AS SHOWN
-------------------	--------	----------

J
I
H
G
F
E
D
C
B
A

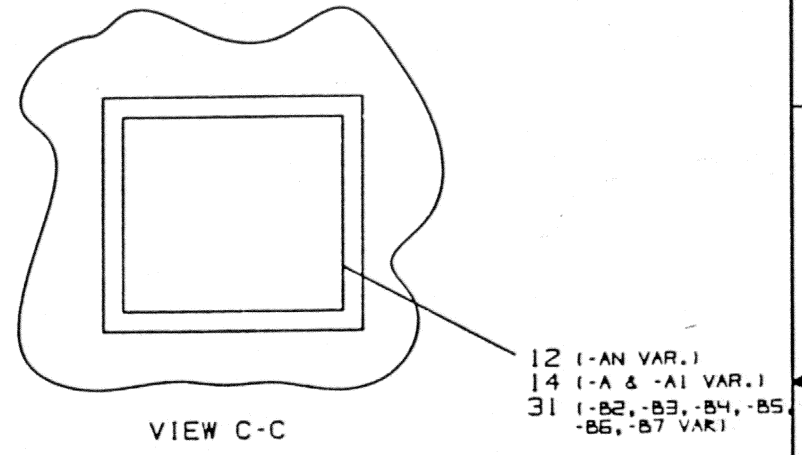
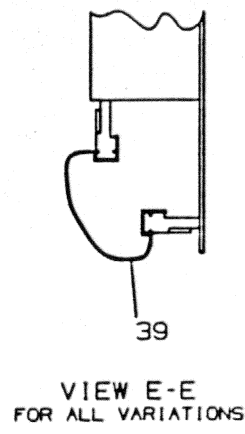
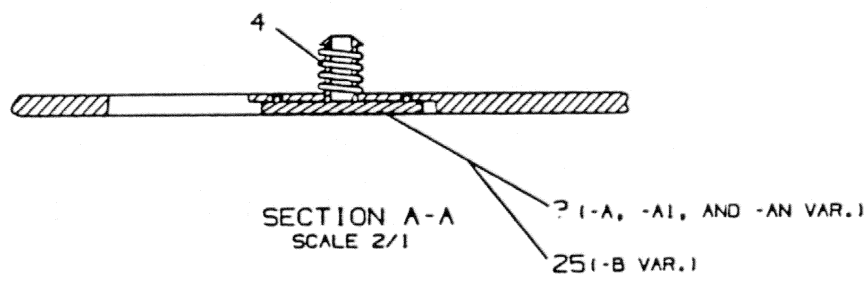
J
I
H
G
F
E
D
C
B
A



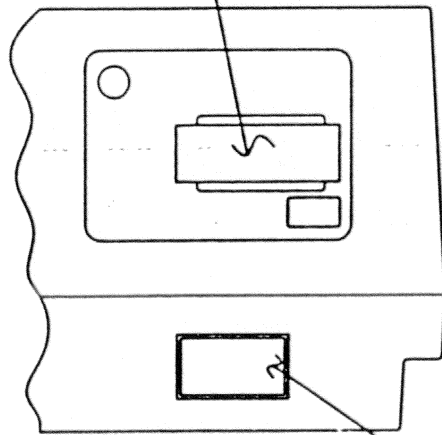
REVISION HISTORY		
DATE	ECO HISTORY	KEY

DOCUMENT NUMBER		TITLE
E LA	PC100-0-DBU	RAINBOW

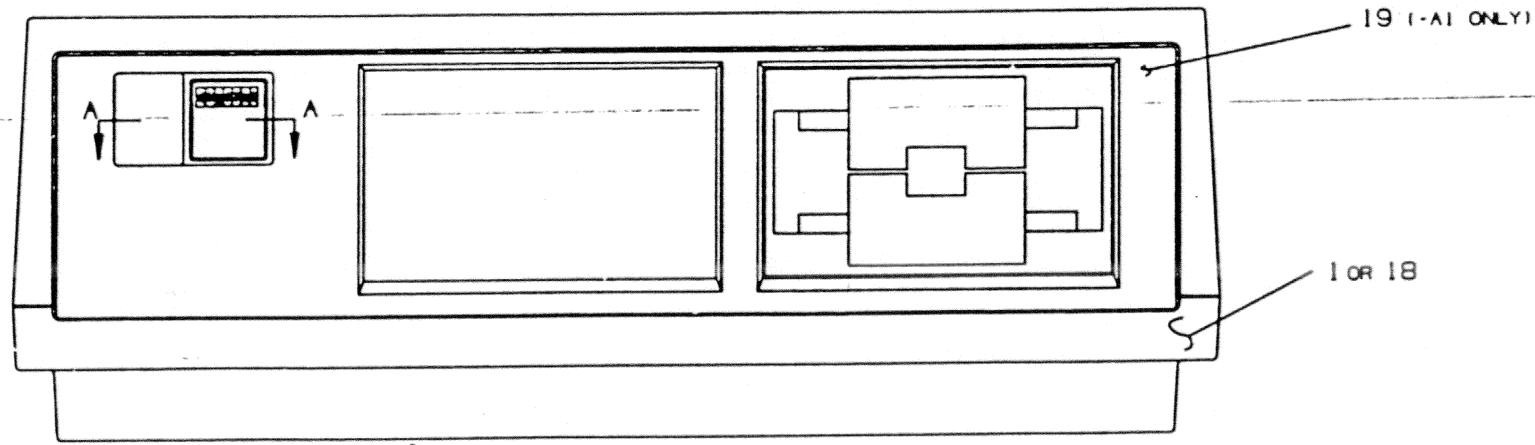
PC100-A THRU -AN	SEE DD	AS SHOWN
PC100-B2 THRU -B7	SEE DD	AS SHOWN



- 17 (-A & -AN VAR.)
- 22 (-A1 VAR.)
- 33 (-B2 VAR.)
- 34 (-B3 & -B7 VAR.)
- 35 (-B5 & -B6 VAR.)
- 36 (-B4 VAR.)



- 21 (-A1 VAR.)
- 40 (-B2 THRU -B7 VAR.)



REVISION HISTORY		
DATE	REV. HISTORY	BY
SEE SHEET 1		

TITLE
RAINBOW

DOCUMENT NUMBER		
SIZE	NUMBER	REV
E	UA PC100-0-DBU	L
SCALE 1/1		SHEET 2 OF 3

LINE	ITEM	TOP DOCUMENT	PART NUMBER	MIN REV	DESCRIPTION	QTY PER VARIATION							
						A6	AN A6	A1 A2	B2 A2	B3 A3	B4 A2	B5 A2	B6 A2
1	1	E-UA-BA25-0-0	BA25 -B		BA25-A,RX50-AA,H7842-A,120/240V	1	1	-	-	-	-	-	-
2	2	D-AD-7019974-0-DBU	7019974-00		CPU ASSY, RAINBOW 100	1	1	1	-	-	-	-	-
3	3	D-IA-7427256-0-DBU	7427256-03		MEDALLION,RAINBOW 100	1	1	1	-	-	-	-	-
4	4		1220113-01		SPRING,COMPRESSION .3000DX .380	1	1	1	1	.1	1	1	1
5	5		9010318-02		*** THIS ITEM IS NOT USED ***	-	-	-	-	-	-	-	-
6	6	A-PA-3700695-0-0	3700695-02		PKG SYSTEM BA25 SMALL UNIT	1	1	1	-	-	-	-	-
7	7		1700283-00		CABLE,ASSY VIDEO B&W CT-150	1	1	1	1	1	1	1	1
8	8		3620218-01		*** THIS ITEM IS NOT USED ***	-	-	-	-	-	-	-	-
9	9		3617905-01		*** THIS ITEM IS NOT USED ***	-	-	-	-	-	-	-	-
10	10		3620215-02		*** THIS ITEM IS NOT USED ***	-	-	-	-	-	-	-	-
11	11	E-UA-5415482-0-0	5415482-00		PC100 RX50 CONTROLLER	1	1	1	1	1	1	1	1
12	12		3620218-05		LABEL,REGULATIONS,PC INTERIM	-	1	-	-	-	-	-	-
13	13		1700289-00		*** THIS ITEM IS NOT USED ***	-	-	-	-	-	-	-	-
14	14		3620218-07		LABEL,PC100	1	-	1	-	-	-	-	-
15	15		3620215-06		LABEL,PWR.RATING CT 120/220-240	1	1	-	-	-	-	-	-
16	16		3618460-06		LABEL,BAR CODE BLANK .50 X4.0	4	4	4	4	4	4	4	4
17	17		3616157-00		LABEL,CORRECT VOLTAGE SETTING,CA	1	1	-	-	-	-	-	-
18	18	E-UA-BA25-0-0	BA25 -A		SMALL SYSTEM UNIT ENCLOSURE	-	-	1	-	-	-	-	-
19	19	E-UA-RX50-0-DBU	RX50 -AA		DUAL 5.25" SINGLE SIDED FLOPPY D	-	-	1	-	-	-	-	-
20	20	E-UA-H7842-0-0	H7842-B		H7842-A EXCEPT 120V ONLY	-	-	1	-	-	-	-	-
21	21		3620215-08		LABEL,PWR.RATING CT 120V 3.	-	-	1	-	-	-	-	-
22	22		3621750-01		LABEL,PERMANENTLY SET FOR 120V	-	-	1	-	-	-	-	-
23	23		1700402-01		CABLE ASSY 16COND 26AWG 10'LG	1	1	1	1	1	1	1	1
24	24	E-UA-BA25-0-0	BA25 -CB		BA25-CA,RX50-AA,H7842-D,120/240V	-	-	-	1	1	1	1	1
25	25	D-IA-7427256-0-DBU	7427256-06		MEDALLION WITH SCRIPT,RAINBOW	-	-	-	1	1	1	1	1
26	26	D-AD-7019974-0-DBU	7019974-02		CPU ASSY, RAINBOW 100B LANG CL1	-	-	-	1	1	-	-	-
27	27	D-AD-7019974-0-DBU	7019974-03		CPU ASSY, RAINBOW 100B LANG CL2	-	-	-	-	-	1	-	-
28	28	D-AD-7019974-0-DBU	7019974-04		CPU ASSY, RAINBOW 100B LANG CL3	-	-	-	-	-	-	1	-
29	29	D-AD-7019974-0-DBU	7019974-05		CPU ASSY, RAINBOW 100B LANG CL4	-	-	-	-	-	-	-	1
30	30	D-AD-7019974-0-DBU	7019974-06		CPU ASSY, RAINBOW 100B LANG CL5	-	-	-	-	-	-	-	1

REVISION HISTORY			BASIC PART NO: PC100		DRN: S. AZEVEDO		DATE: 23-JUL-82		DIGITAL			
ENG	ECO NUMBER	REV	SECTION A OF A		CHK'D: D. HEALY		DATE: 8-DEC-82		TITLE PARTS LIST			
---	INITIAL	A	SECTION VARIATION INDEX		DES.ENG: D. MOORE <td colspan="2">DATE: 8-DEC-82 <td colspan="4">DOCUMENT NUMBER</td> </td>		DATE: 8-DEC-82 <td colspan="4">DOCUMENT NUMBER</td>		DOCUMENT NUMBER			
DD	PC100-ML001	B	[A]A ,AN,A1,B2,B3,B4,		RESP.ENG.: F. CHALOUX <td colspan="2">DATE: 8-DEC-82 <td>SIZE</td> <td>CODE</td> <td>NUMBER</td> <td>REV</td> </td>		DATE: 8-DEC-82 <td>SIZE</td> <td>CODE</td> <td>NUMBER</td> <td>REV</td>		SIZE	CODE	NUMBER	REV
FC	PC100-ML002	C	B5,B6,B7		MFG.ENG.: B. PORTER <td colspan="2">DATE: 8-DEC-82 <td>K</td> <td>PL</td> <td>PC100-0-DBP</td> <td>L</td> </td>		DATE: 8-DEC-82 <td>K</td> <td>PL</td> <td>PC100-0-DBP</td> <td>L</td>		K	PL	PC100-0-DBP	L
FC	PC100-ML003	D	[B]		ASSEMBLY NUMBER: <td colspan="2">TOP DOCUMENT NUMBER: <td colspan="2">FILE NAME: <td colspan="2">EDIT #</td> </td></td>		TOP DOCUMENT NUMBER: <td colspan="2">FILE NAME: <td colspan="2">EDIT #</td> </td>		FILE NAME: <td colspan="2">EDIT #</td>		EDIT #	
FC	PC100-ML005	E	[C]		E-UA-PC100-0-DBU <td colspan="2">#B-DD-PC100-0 <td colspan="2">Z5232L.PLS <td colspan="2">14</td> </td></td>		#B-DD-PC100-0 <td colspan="2">Z5232L.PLS <td colspan="2">14</td> </td>		Z5232L.PLS <td colspan="2">14</td>		14	
AJ	PC100-ML007	H	[D]		RELEASE DATE: 31-DEC-84							
AJ	PC100-ML008	J	[E]									
AJ	PC100-ML010	K	[F]									
AJ	PC100-ML0011	L										

"THIS DRAWING AND THE SPECIFICATIONS CONTAINED HEREIN ARE CONFIDENTIAL AND PROPRIETARY. THEY ARE THE PROPERTY OF DIGITAL EQUIPMENT CORPORATION AND SHALL NOT BE REPRODUCED OR COPIED OR USED IN WHOLE OR IN PART AS THE BASIS FOR THE MANUFACTURE OR SALE OF ITEMS WITHOUT WRITTEN PERMISSION. THIS IS AN UNPUBLISHED WORK PROTECTED UNDER THE FEDERAL COPYRIGHT LAWS."

P A R T S L I S T

LINE ITEM	TOP DOCUMENT	PART NUMBER	MIN REV	DESCRIPTION	QTY PER VARIATION									
					A	AN	A1	B2	B3	B4	B5	B6	B7	
					VARIATION REVISION LEVEL:									
					A6	A6	A2	A2	A3	A2	A2	A2	A2	
31	31	3620218-09		LABEL,PC100-B	-	-	-	1	1	1	1	1	1	
32	32	3620218-12		*** THIS ITEM IS NOT USED ***	-	-	-	-	-	-	-	-	-	
33	33	3617905-07		LABEL,EQUIP SET 100-120V ENG,FR,	-	-	-	1	-	-	-	-	-	
34	34	3617905-09		LABEL,EQUIP SET 220-240V ENG,FR,	-	-	-	-	1	-	-	-	1	
35	35	3617905-11		LABEL,EQUIP SET 220-240V ENG,SWD	-	-	-	-	-	-	1	1	-	
36	36	3617905-12		LABEL,EQUIP SET 220-240V ENG,FR,	-	-	-	-	-	1	-	-	-	
37	37	A-PA-3700695-0-0		3700695-05	-	-	-	1	1	1	1	1	1	
38	38			3620215-09	-	-	-	-	-	-	-	-	-	
39	39			1700318-02	1	1	1	1	1	1	1	1	1	
40	40			3620215-13	-	-	-	1	1	1	1	1	1	

- 41 NOTE: 3620215-11 IS A REQUIRED ALTERNATE FOR ITEM 37 (WHEN MFG AT ZGO)
- 42 NOTE: 3620215-10 IS A REQUIRED ALTERNATE FOR ITEM 15 (WHEN MFG AT ZGO)
- 43 NOTE: 3620218-10 IS A REQUIRED ALTERNATE FOR ITEM 14 (WHEN MFG AT ZGO)
- 44 NOTE: 3620218-11 IS A REQUIRED ALTERNATE FOR ITEM 30 (WHEN MFG AT ZGO)
- 45 NOTE: 36-20215-12 IS REQUIRED FOR 3620215-13 (WHEN MFG AT ZGO)

D	I	G	I	T	A	L	TITLE	SECTION A OF A	SIZE	CODE	DOCUMENT NUMBER	REV
							RAINBOW		K	PL	PC100-0-DBP	L

DRAWING NO.	NO. OF SHTS.	PART NO.	DESCRIPTION	REVISIONS															
				A	B	C	D	E	F	G	H	I	J	K	L	M	N	O	P
		5416206-01	PC100-B MOTHER BOARD	A	B	B2	C	C	D										
D-CS-5416206-0-1	11		PC100-B MOTHER BOARD	A	B	C	C	C	D										
E-UA-5416206-0-0	1		PC100-B MOTHER BOARD	A	B	B	B	B	C										
K-PL-5416206-0-DBP	4		PC100-B MOTHER BOARD	A	B	C	D	E	F										
K-PC-5416206-0-DBC			PC DESIGN DATA BASE	A	A	A	A	A	A										
		5016205-01	ETCHED CIRCUIT BOARD	C1	C	C	C	C	C										
B-DD-5016205-0-0	1		DRAWING DIRECTORY	A	A	A	A	A	A										

NOTES:

REVISIONS		A	B	C	D	E	F
DATE	CHG NO.	INIT	ML001	ML002	ML003	ML004	ML005
6-83							
8-83							
11-83							
1-84							
5-84							
9-85							

"THIS DRAWING AND SPECIFICATIONS, HEREIN, ARE THE PROPERTY OF DIGITAL EQUIPMENT CORPORATION AND SHALL NOT BE REPRODUCED OR COPIED OR USED IN WHOLE OR IN PART AS THE BASIS FOR THE MANUFACTURE OR SALE OF ITEMS WITHOUT WRITTEN PERMISSION.
 COPYRIGHT © 1983 DIGITAL EQUIPMENT CORPORATION



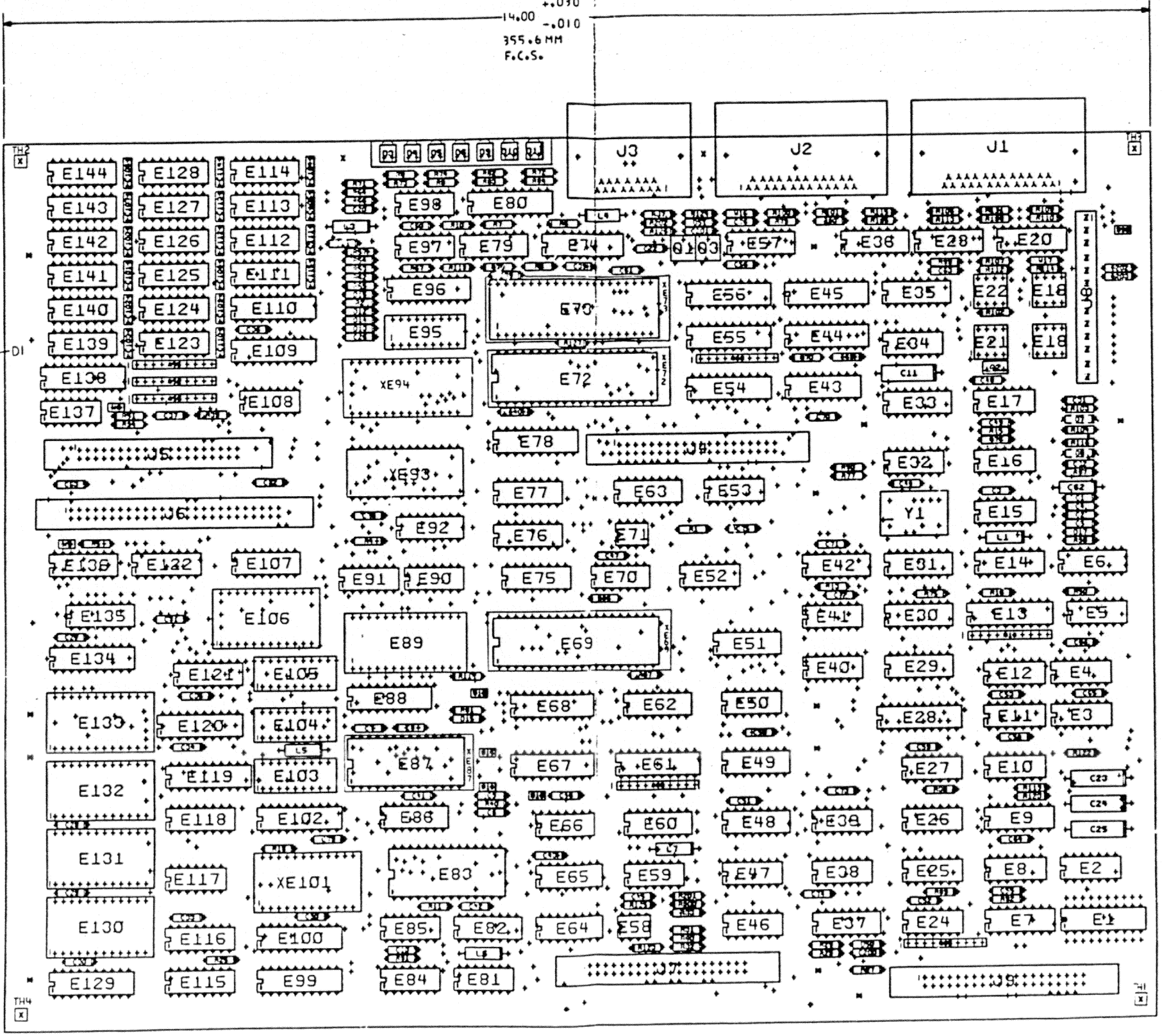
USED ON OPTION/MODEL	DRN. PEG LENNON	27JUN83	TITLE			
	CHK'D PEG LENNON	27JUN83	PC100-B MOTHER BOARD			
	ENG. D. NELSON	27JUN83	SIZE B	CODE DD	NUMBER 5416206-0-0	REV. F
	PROD. L. HARDER	27JUN83	SHEET 1 OF 1			

H
F
E
D
C
B
A

MARK PART REVISION NEAR
OR NEXT TO 54 PART NO.

104.4 ^{+0.30}
-0.10
264.16 MM
F.C.S.

14.00 ^{+0.30}
-0.10
355.6 MM
F.C.S.



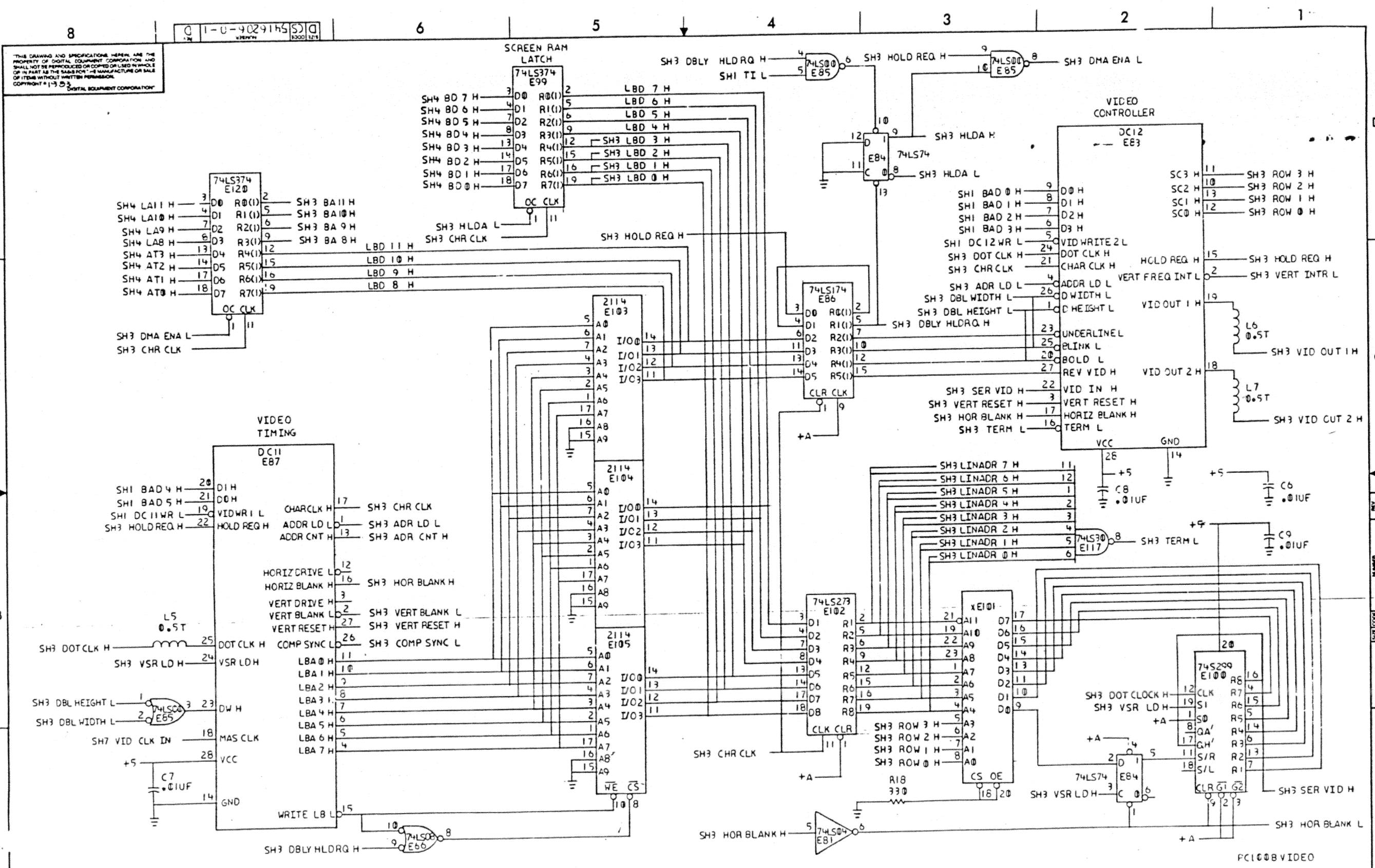
JOB NAME: 16206Y CL
MIFDRW VERSION 7C(1) 12/13;OPTIONS: CHX/C/F/W1

CHRGANCE NO	REV	DATE	BY

NOTES	1. C203 PLANE NOT USED.
	2. PLOT ON DATA BASE FOR THE
	3. RLS PACKS IS THE OPPOSITE
	4. OF THIS CIRC.

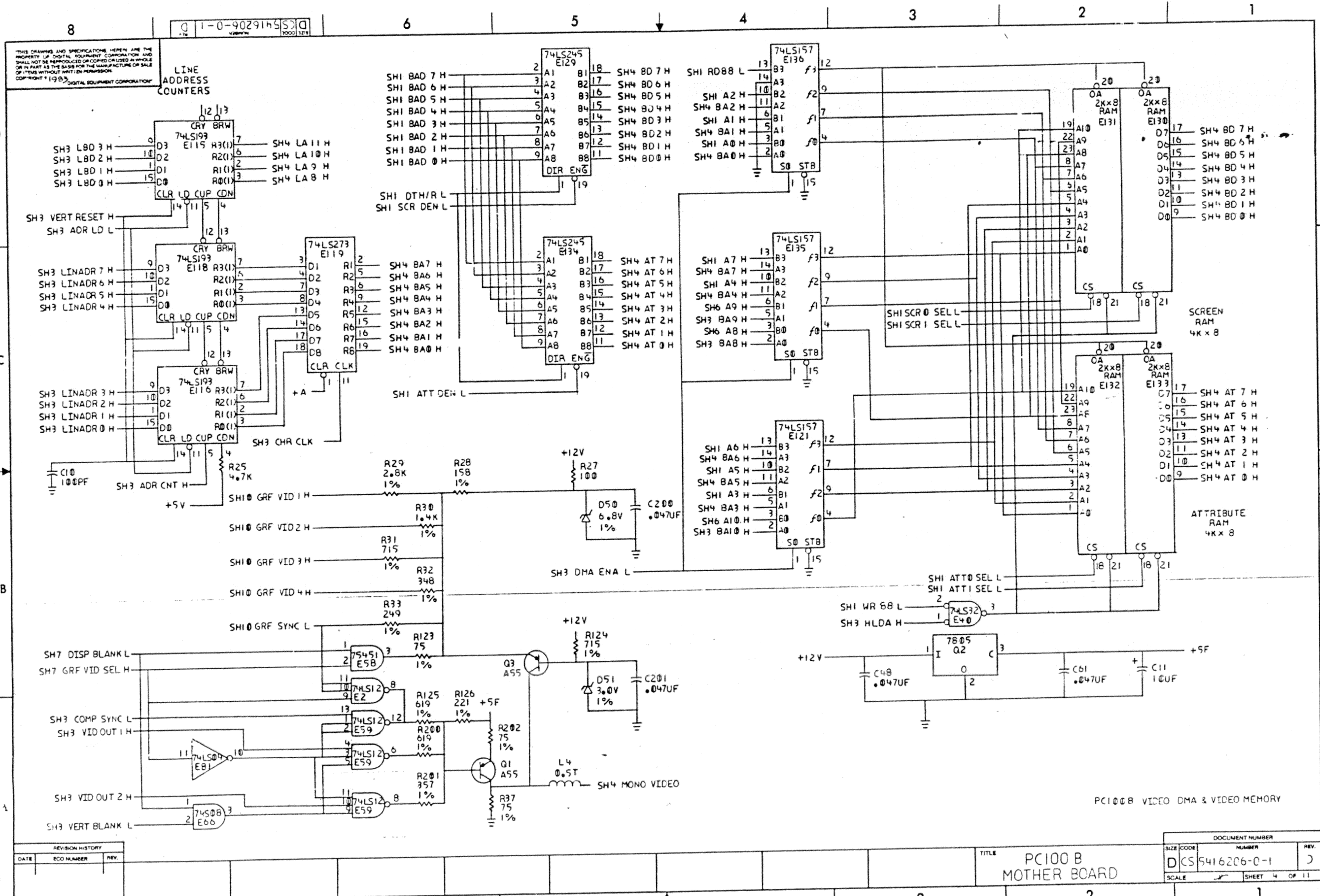
SIGNATURES	DATE	SCALE	OF	SHT.	TOP DOC	MAT.	B	DD	SH	10200	0-0
CHK'D											
TECH. ENG.											
PROJ. ENG.											
DESIGN											
TITLE											
PCB											
MOTHER											
BOARD											
SIZE											
CODE											

THIS DRAWING AND SPECIFICATIONS HEREAFTER ARE THE PROPERTY OF DIGITAL EQUIPMENT CORPORATION AND SHALL NOT BE REPRODUCED OR COPIED OR USED IN WHOLE OR IN PART AS THE BASIS FOR THE MANUFACTURE OR SALE OF ITEMS WITHOUT WRITTEN PERMISSION. COPYRIGHT © 1983 DIGITAL EQUIPMENT CORPORATION



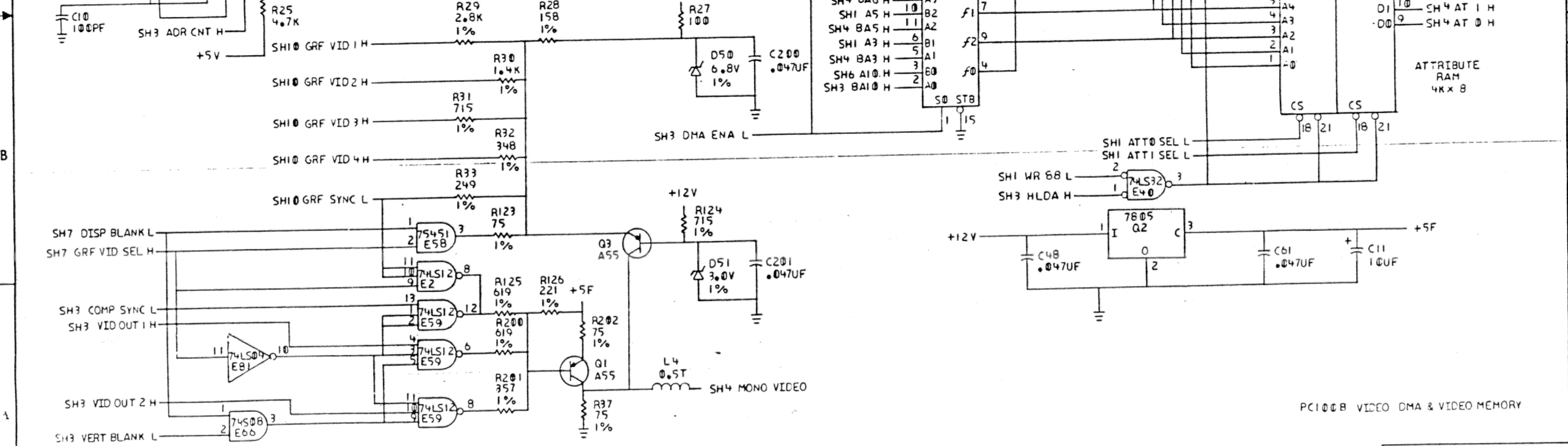
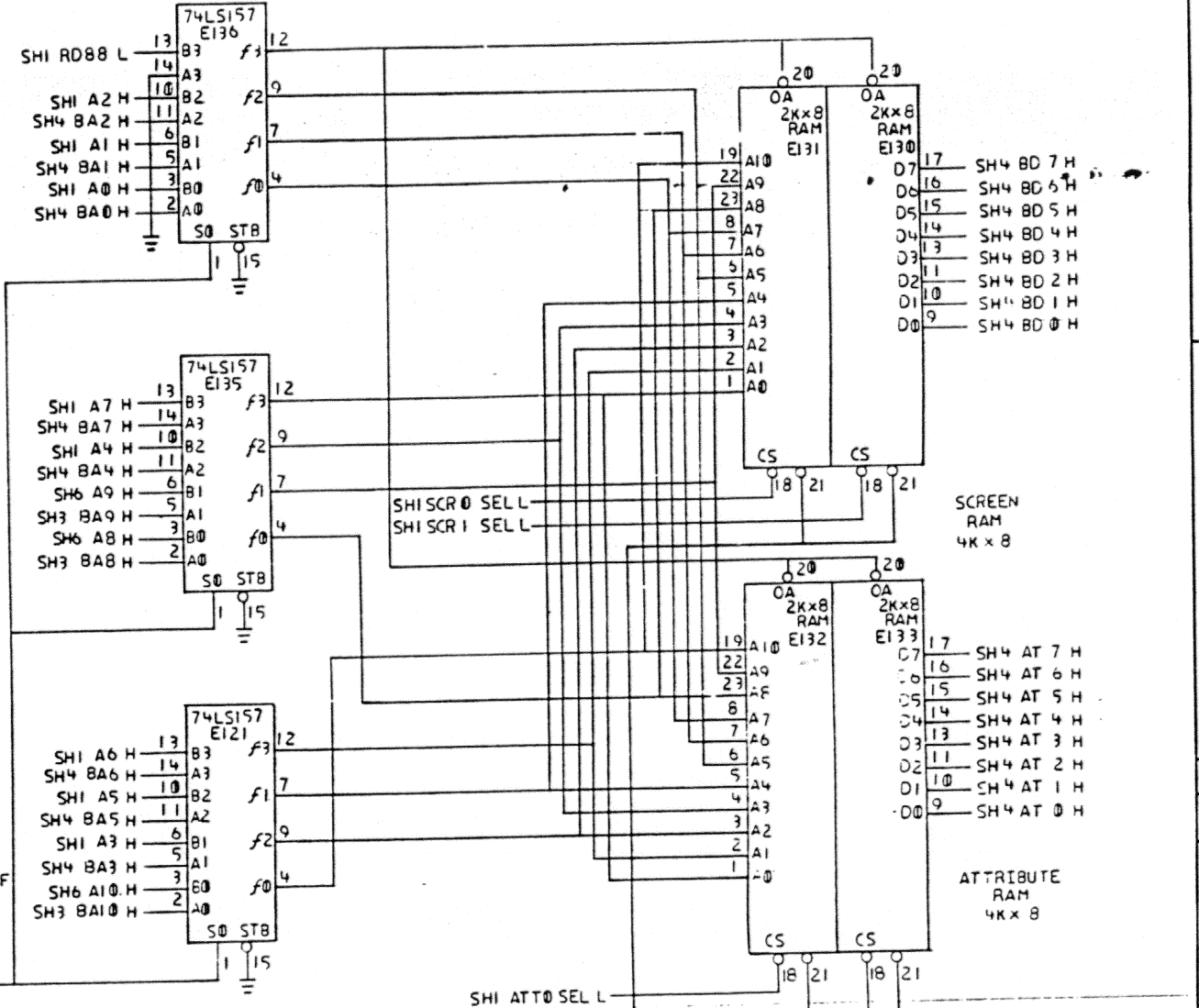
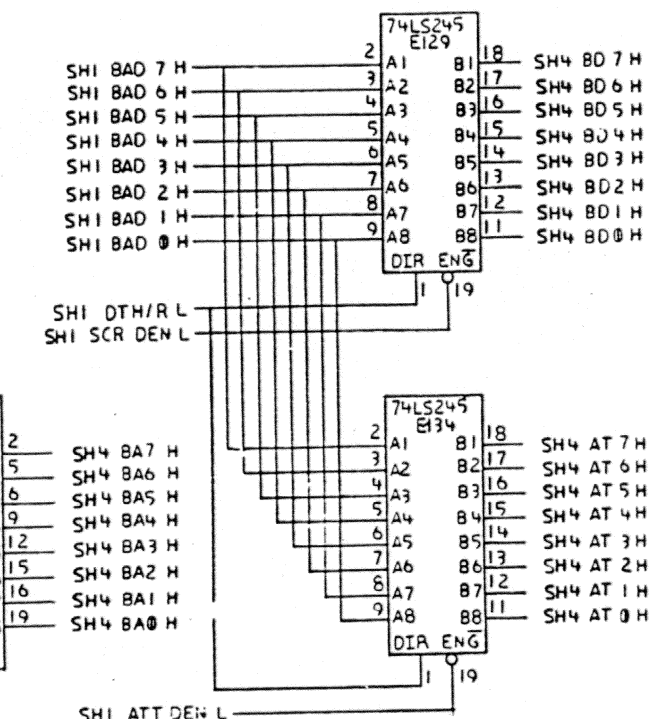
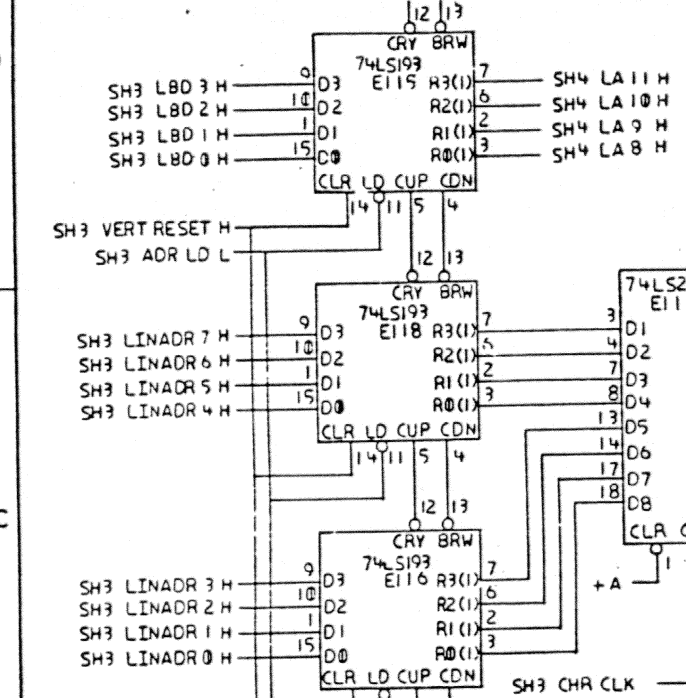
REVISION HISTORY			DOCUMENT NUMBER	
DATE	ECO NUMBER	REV	SIZE	NUMBER
			D	CS 5416 206-0-1
			SCALE	SHEET 3 OF 11

TITLE: PCI00B MOTHER BOARD



THIS DRAWING AND SPECIFICATIONS HEREIN ARE THE PROPERTY OF DIGITAL EQUIPMENT CORPORATION AND SHALL NOT BE REPRODUCED OR COPIED IN WHOLE OR IN PART AS THE BASIS FOR THE MANUFACTURE OR SALE OF ITEMS WITHOUT WRITTEN PERMISSION. COPYRIGHT © 1983 DIGITAL EQUIPMENT CORPORATION

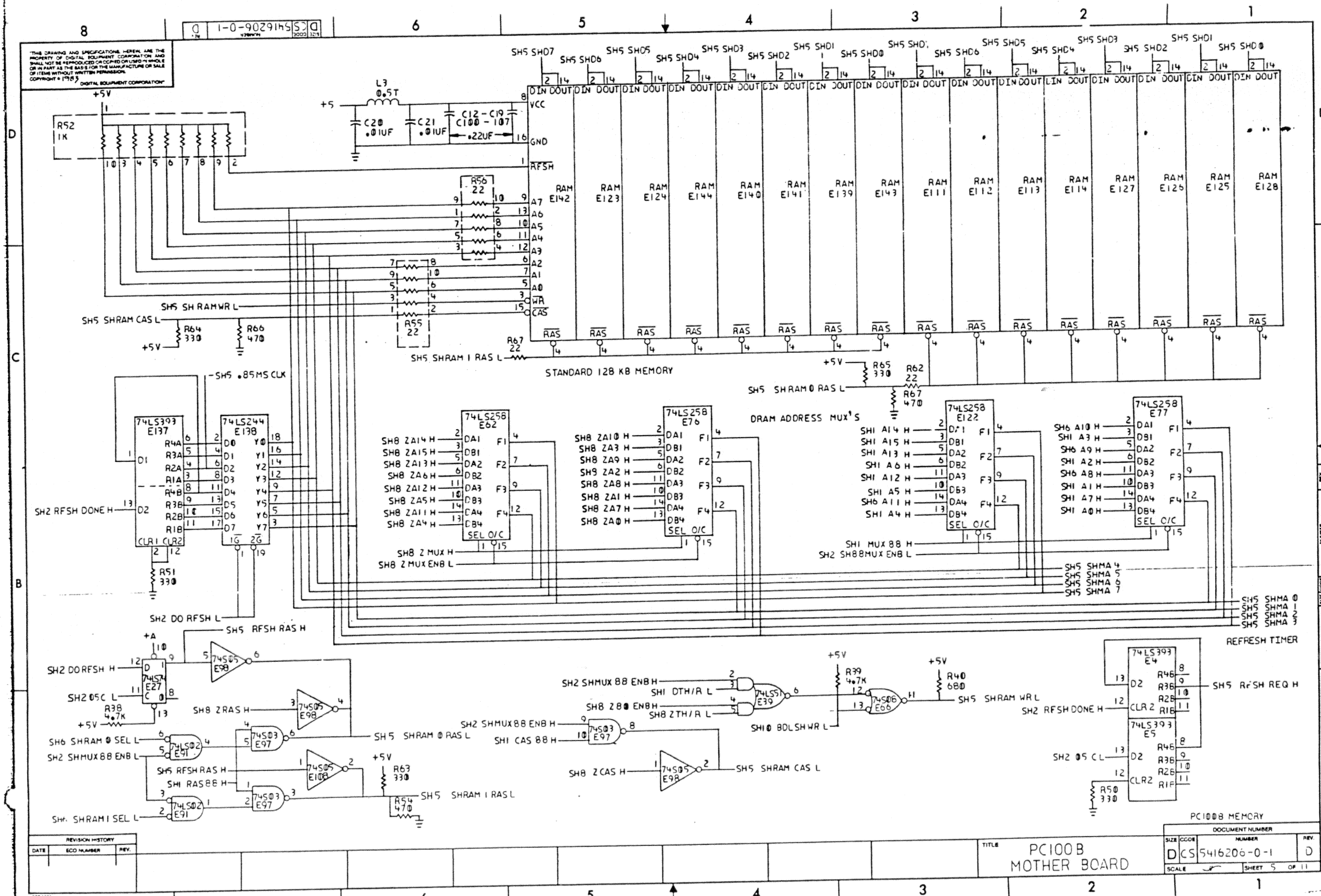
LINE ADDRESS COUNTERS



REVISION HISTORY			DOCUMENT NUMBER		
DATE	ECO NUMBER	REV.	SIZE	CODE	NUMBER
			D	CS	5416206-0-1

TITLE: PC100 B MOTHER BOARD
SCALE: SHEET 4 OF 11

THIS DRAWING AND SPECIFICATIONS HEREIN ARE THE PROPERTY OF DIGITAL EQUIPMENT CORPORATION AND SHALL NOT BE REPRODUCED OR COPIED OR USED IN WHOLE OR IN PART AS THE BASIS FOR THE MANUFACTURE OR SALE OF ITEMS WITHOUT WRITTEN PERMISSION. COPYRIGHT © 1975 DIGITAL EQUIPMENT CORPORATION



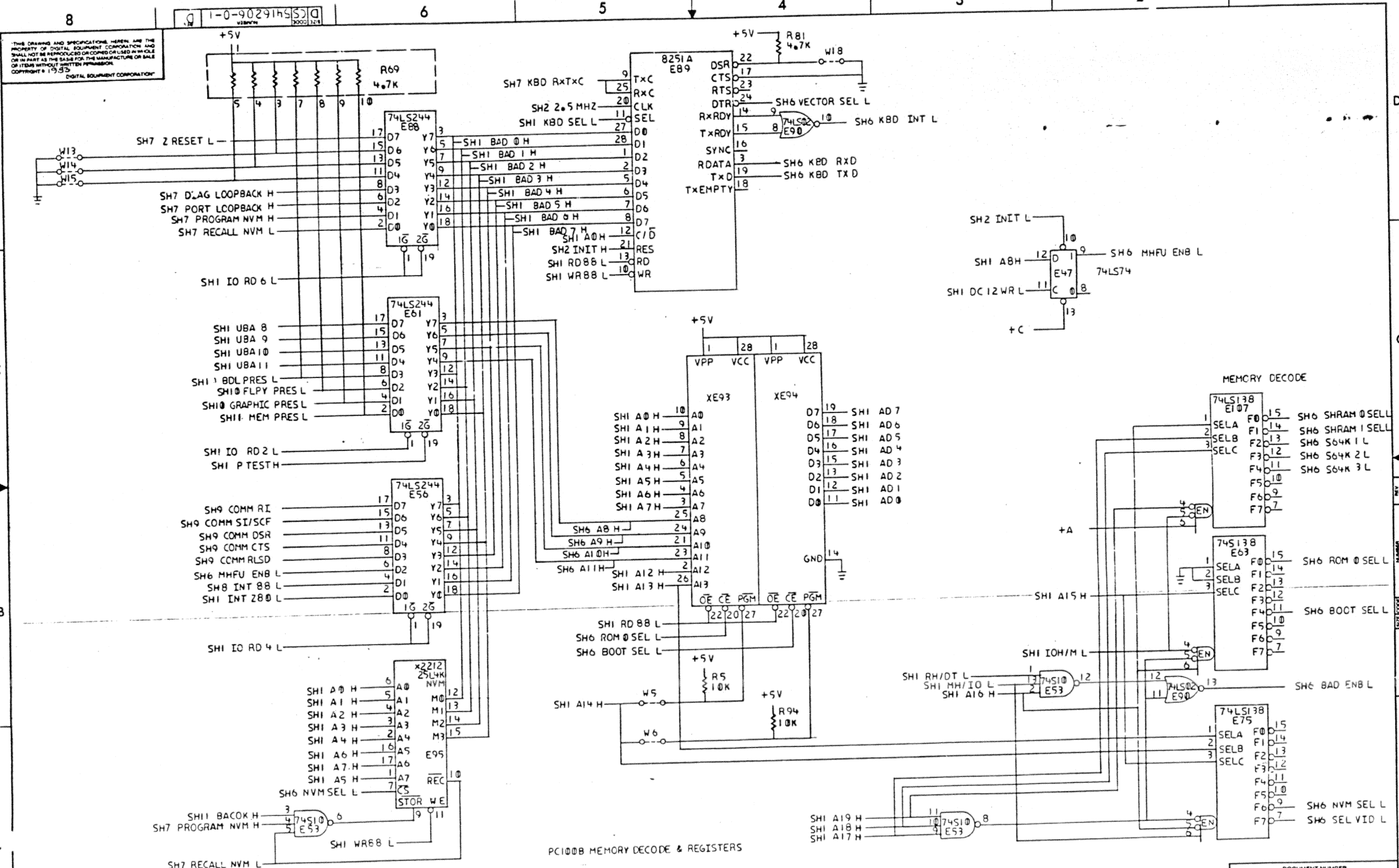
REVISION HISTORY		
DATE	ECO NUMBER	REV.

TITLE
PC100B
MOTHER BOARD

DOCUMENT NUMBER		REV
DCS 5416206-0-1	NUMBER	D
SCALE	SHEET 5 OF 11	

DCS 5416206-0-1

THIS DRAWING AND SPECIFICATIONS HEREIN ARE THE PROPERTY OF DIGITAL EQUIPMENT CORPORATION AND SHALL NOT BE REPRODUCED OR COPIED OR USED IN WHOLE OR IN PART AS THE BASIS FOR THE MANUFACTURE OR SALE OF ITEMS WITHOUT WRITTEN PERMISSION. COPYRIGHT © 1983 DIGITAL EQUIPMENT CORPORATION

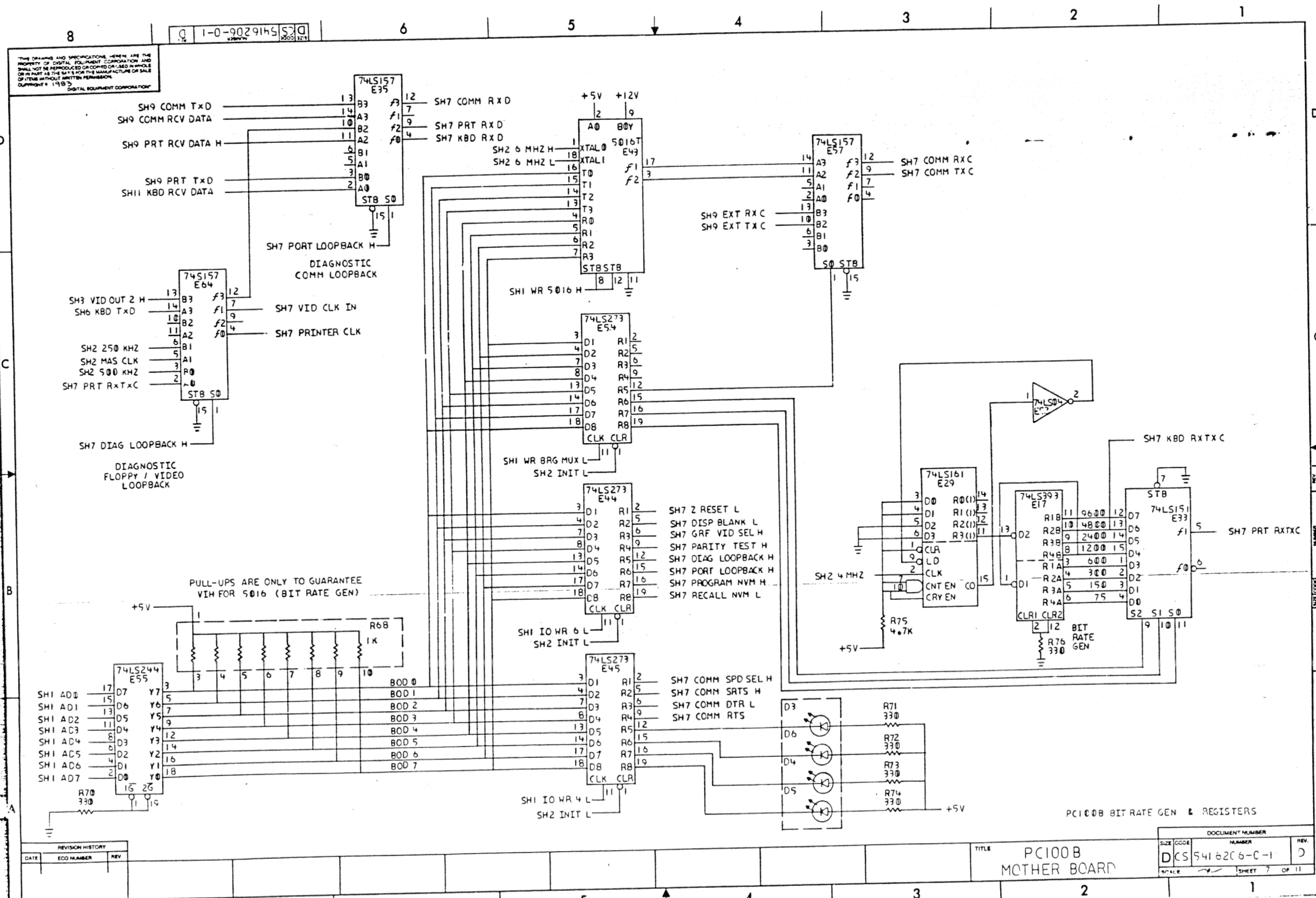


REVISION HISTORY		
DATE	ECO NUMBER	REV.

TITLE
PCI00B
MOTHER BOARD

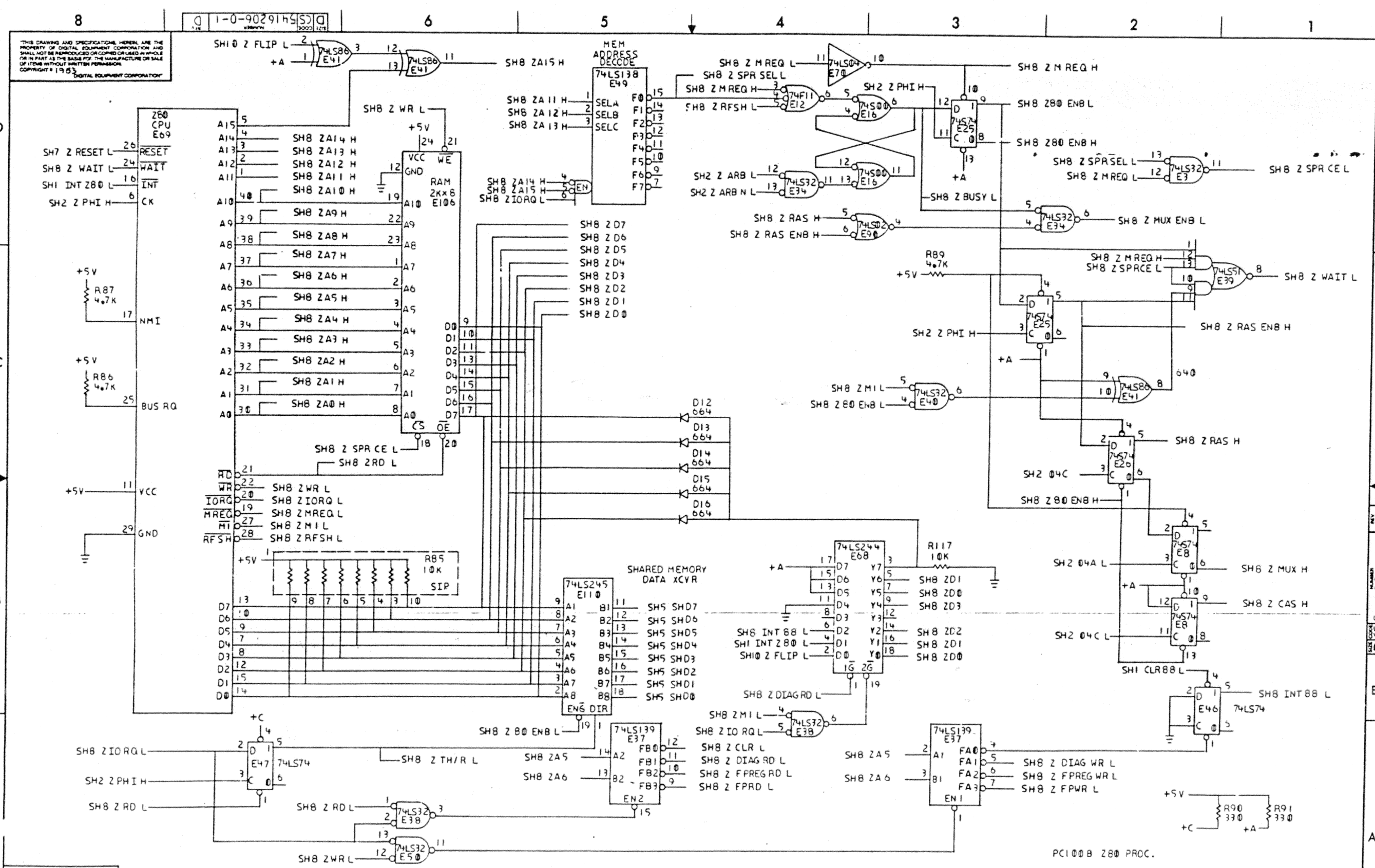
DOCUMENT NUMBER		
SIZE CODE	NUMBER	REV.
D	CS 5416206-0-1	D
SCALE	SHEET 6 OF 11	

THIS DRAWING AND SPECIFICATIONS HEREIN ARE THE PROPERTY OF DIGITAL EQUIPMENT CORPORATION AND SHALL NOT BE REPRODUCED OR COPIED OR USED IN WHOLE OR IN PART AS THE BASIS FOR THE MANUFACTURE OR SALE OF ITEMS WITHOUT WRITTEN PERMISSION. COPYRIGHT © 1983 DIGITAL EQUIPMENT CORPORATION



REVISION HISTORY		
DATE	ECO NUMBER	REV

TITLE PCI008 MOTHER BOARD		DOCUMENT NUMBER DCS 5416206-0-1	
SCALE	SHEET 7 OF 11	REV. D	



REVISION HISTORY			DOCUMENT NUMBER		
DATE	ECO NUMBER	REV.	SIZE CODE	NUMBER	REV.
			D	CS 5416206-0-1	1
			SCALE	SHEET 8	OF 11

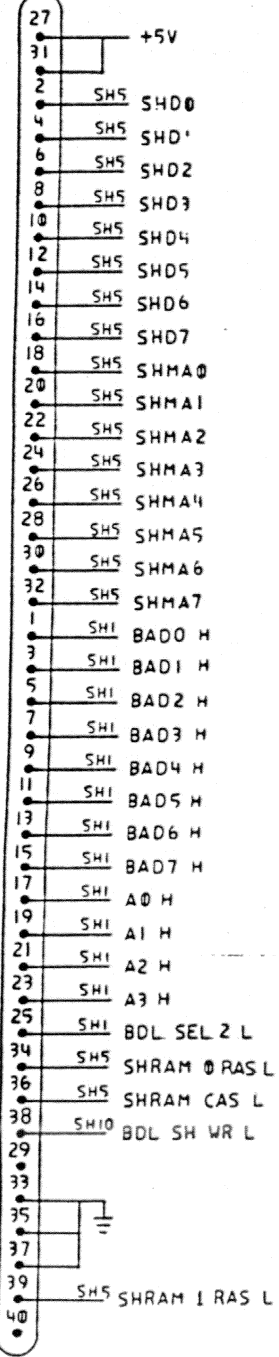
TITLE
PCI00B
MOTHER BOARD

PCI00B 280 PROC.

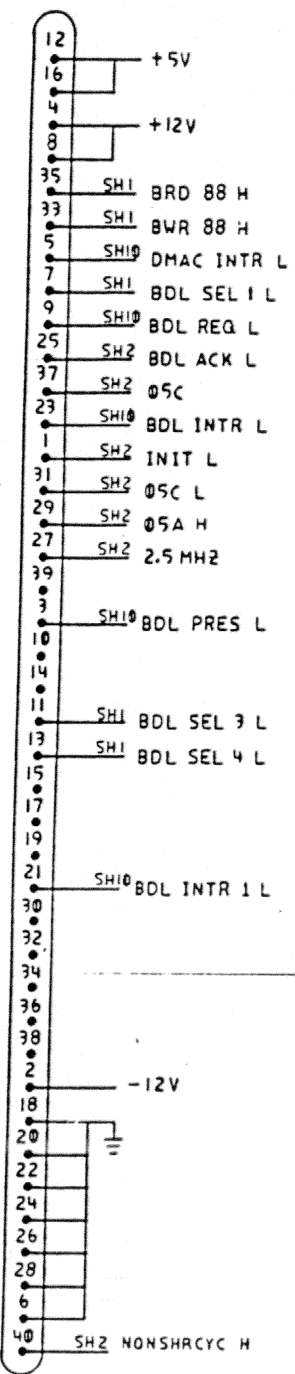
DRD 138A

THIS DRAWING AND THE SPECIFICATIONS CONTAINED HEREIN ARE CONFIDENTIAL AND PROPRIETARY. THEY ARE THE PROPERTY OF DIGITAL EQUIPMENT CORPORATION AND SHALL NOT BE REPRODUCED OR COPIED OR USED IN WHOLE OR IN PART AS THE BASIS FOR THE MANUFACTURE OR SALE OF ITEMS WITHOUT WRITTEN PERMISSION. THIS IS AN UNPUBLISHED WORK PROTECTED UNDER THE FEDERAL COPYRIGHT LAWS, 1976.

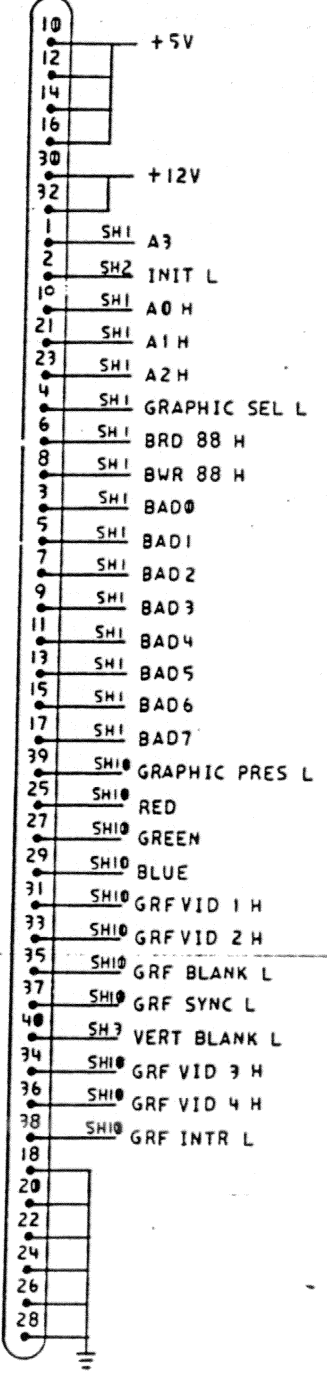
RIGHT CONN.
J5 EXTENDED COMMS. CONNECTORS



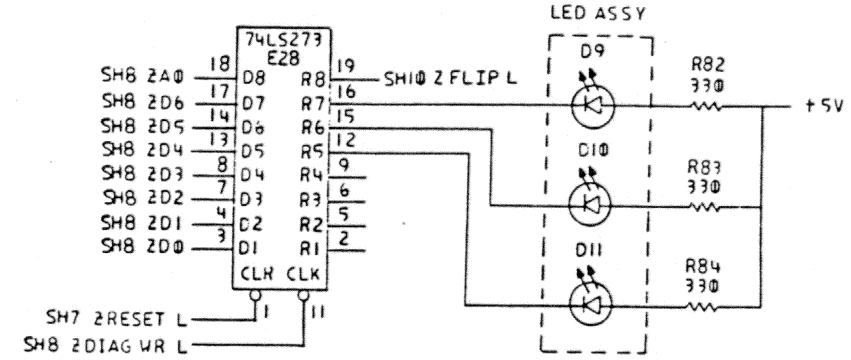
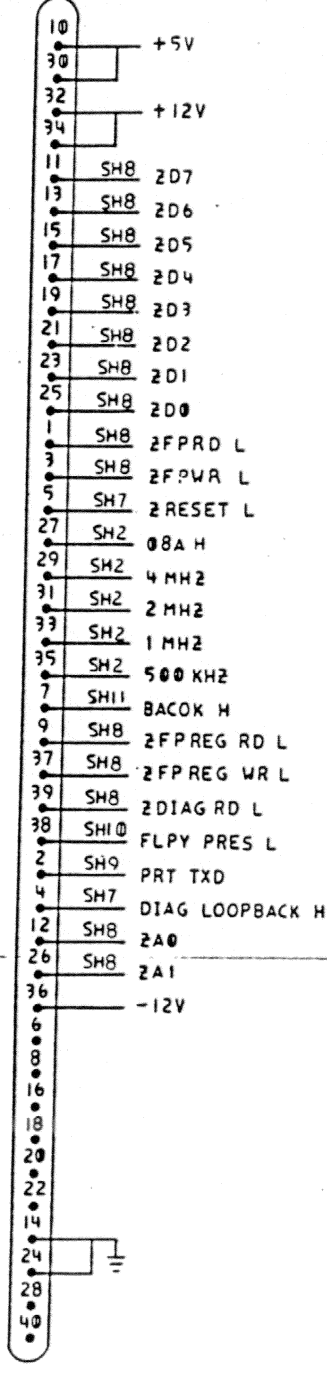
LEFT CONN.
J4



GRAPHICS
J7



RX50 CONTROLLER
J9



PCI00B INTERCONNECT

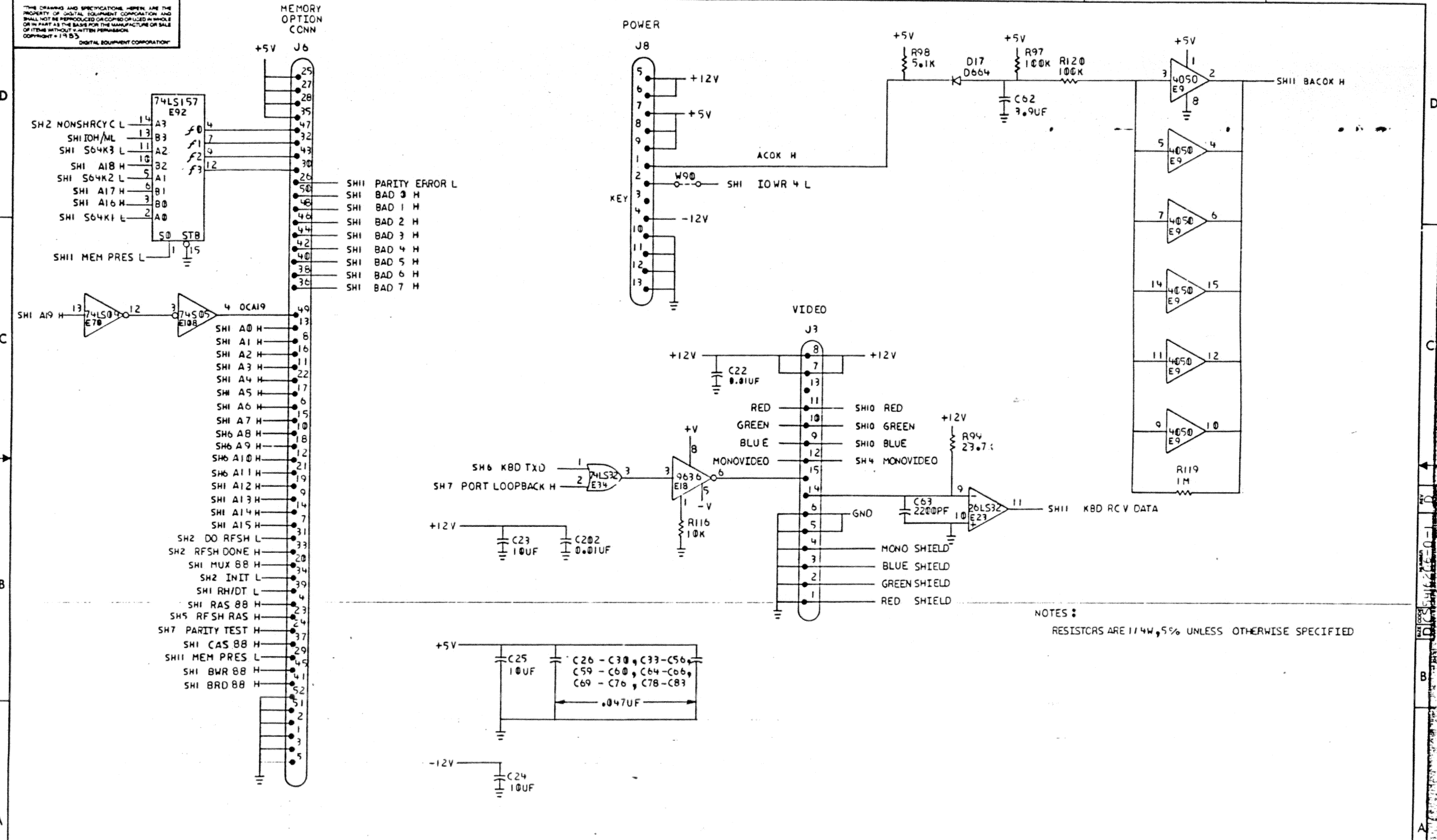
REVISION HISTORY		
REV	ECO NUMBER	DATE

TITLE
PCI00B MOTHER BOARD

DOCUMENT NUMBER			
SIZE	CODE	NUMBER	REV
D	CS	5416206-0-1	0
SCALE		SHEET 10 OF 11	

THE DRAWING AND SPECIFICATIONS HEREIN ARE THE PROPERTY OF DIGITAL EQUIPMENT CORPORATION AND SHALL NOT BE REPRODUCED OR COPIED OR USED IN WHOLE OR IN PART AS THE BASIS FOR THE MANUFACTURE OR SALE OF ITEMS WITHOUT WRITTEN PERMISSION.
 COPYRIGHT © 1983 DIGITAL EQUIPMENT CORPORATION

1-0-90291HS



NOTES:
 RESISTORS ARE 1/4W, 5% UNLESS OTHERWISE SPECIFIED

REVISION HISTORY		
DATE	ECO NUMBER	REV.

PCI0CB INTERCONNECT

TITLE
 PCI0CB
 MOTHER BOARD

DOCUMENT NUMBER			
SIZE	CODE	NUMBER	REV.
D	CS	5416206-0-1	D
SCALE		SHEET 11 OF 11	

8 7 6 5 4 3 2 1

LINE ITEM	TOP DOCUMENT	PART NUMBER	MIN REV	DESCRIPTION	QTY	PER VARIATION	REFERENCE DESIGNATOR
				VARIATION REVISION LEVEL:	01		
					D1		
1	1	5016205-01		CIRCUIT DRILL AND ETCH	1		
2	2	1000064-00		3.9MFD 10V 10% S.TANT	1		C62
3	3	1001610-00		.01 MFD 50V +80-20% Z5U CER	12		C2-C9,C20,C21,C22,C202
4	4	1012784-00		.047 MFD 50V +80-20% CER	54		C1,C26-C56,C59-C61,C64-C66, CONT C69-C76,C78-C83,C200,C201
5	5	1013466-06		100.0 MMF 50V 5% CER	1		C10
6	6	1014265-00		.22 MFD 50V +80-20% CER	16		C100-C115
7	7	1013466-12		2200.0 MMF 50V 10% X7R CER	1		C63
8	8	1017472-00		10 MFD 35V +75-10% AL EL	4		C23-C25,C11
9	9	1100114-00		PIV= 25 IO=135 MA	6		D12-D17
10	10	1105796-00		PIV= 400 IO= 1.00A 1N4004 DO-41	2		D7,D8
11	11	1120306-02		LED,RED 7 GANGED	1		D3-D6,D9-D11
12	12	1109991-01		VZ= 6.8 1% 400 MW D	1		D50
13	13	1105871-01		VZ= 3.0 1% 250 MW	1		D51
14	14	1215006-03		*** THIS ITEM IS NOT USED ***	-		
15	15	1215006-06		SKT,IC 24PIN DIP TIN SOLD	1		XE101
16	16	1215006-07		SKT,IC 28PIN DIP TIN SOLD	3		XE87,XE93,XE94
17	17	1215006-08		SKT,IC 40PIN DIP TIN SOLD	3		XE69,XE72,XE73
18	18	1215901-05		PCB,HEADER 02PIN(1X02).100CC STR	7		W13-W15,W90,W18,W5,W6
19	19	1220365-02		CONN,D SUB 15PIN ASSY 90D	1		J3
20	20	1220365-03		CONN,D SUB 25PIN ASSY 90D	1		J1
21	21	1220399-04		CONN,D SUB 25SKT ASSY RT ANGLE	1		J2
22	22	1215699-05		PCB,HEADER 12POS(1X13).156CC STR	1		J8
23	23	1219066-00		*** THIS ITEM IS NOT USED ***	-		
24	24	1219066-03		PCB HEADER 52PIN(2X26).100CC STR	1		J6
25	25	1300295-00		330.0 .25 W 5.0 % CF	26		R3,R4,R10,R11,R16,R64,R65,R18, CONT R50,R51,R70,R113-R115,R2,R76, CONT R90,R91,R71-R74,R82-R84,R53 R66,R67,R54 R79,R80
26	26	1300316-00		470.0 .25 W 5.0 % CF	3		
27	27	1300365-00		1.0 K .25 W 5.0 % CF	2		

REVISION HISTORY			BASIC PART NO: 5416206								
ENG!	ECO NUMBER	REV	SECTION A OF A	DRN:	M FUNARO	DATE:	15-JUN-83	D I G I T A L			
---	INITIAL	A	SECTION VARIATION INDEX	CHK'D:	DICK BARRIERE	DATE:	27-JUN-83	TITLE PARTS LIST			
BE	5416206-ML001	B	[A] 01	DES.ENG:	D. NELSON	DATE:	27-JUN-83	DOCUMENT NUMBER			
B.E	5416206-ML002	C	[B]	RESP.ENG.:	D. NELSON	DATE:	27-JUN-83	SIZE	CODE	NUMBER	REV
DN	5416206-ML003	D	[C]	MFG.ENG.:	L. HARDER	DATE:	27-JUN-83	K	PL	5416206-0-DBP	F
AJ	5415486.ML004	E	[D]	ASSEMBLY NUMBER:		TOP DOCUMENT NUMBER:		FILE NAME:		EDIT #	
AJ	5416206-ML005	F	[E]	E-UA-5416206-0-0		B-DD-5416206-0-0		Z6723F.PLS		29	
			[F]					RELEASE DATE:		01-OCT-85	
			[H]								
			[J]								
			[K]								
			[L]								
			[M]								
			[N]								

"THIS DRAWING AND THE SPECIFICATIONS CONTAINED HEREIN ARE CONFIDENTIAL AND PROPRIETARY. THEY ARE THE PROPERTY OF DIGITAL EQUIPMENT CORPORATION AND SHALL NOT BE REPRODUCED OR COPIED OR USED IN WHOLE OR IN PART AS THE BASIS FOR THE MANUFACTURE OR SALE OF ITEMS WITHOUT WRITTEN PERMISSION. THIS IS AN UNPUBLISHED WORK PROTECTED UNDER THE FEDERAL COPYRIGHT LAWS."

LINE	ITEM	TOP DOCUMENT	PART NUMBER	MIN REV	DESCRIPTION	QTY	PER VARIATION	REFERENCE DESIGNATOR
					VARIATION REVISION LEVEL:	01		
						D1		
28	28		1300447-00	4.70 K	.25 W 5.0 % CF	19		R1,R6-R9,R92,R25,R122,R15,R13, R89,R38,R39,R75,R77,R78,R81,R86, R87
							CONT	R102,R117,R116,R118,R127,R5,R94
							CONT	R40
29	29		1300479-00	10.0 K	.25 W 5.0 % CF	7		R62,R57
30	30		1301424-00	680.0	.25 W 5.0 % CF	1		R103,R104,R119
31	31		1301969-00	22.0	.25 W 5.0 % CF	2		R98
32	32		1309595-00	1.0 M	.25 W 5.0 % CF	3		R97,R120
33	33		1312930-00	5.10 K	.25 W 5.0 % CF	1		R100,R101,R105-R112,R99
34	34		1302466-00	100.0 K	.25 W 5.0 % CF	2		R85
35	35		1313597-00	23.70 K	.25 W 1.0 % RN55D-F10	11		R69
36	36		1316334-02	R NETWORK	9-10K 2.0 % 10PIN	1		R55,R56
37	37		1316395-00	R NETWORK	9-4.7K 2.0 % 10PIN	1		R14,R52,R68
38	38		1316334-01	R NETWORK	5-22 +-2 0HM 10PIN	2		R37,R123,R202
39	39		1316395-02	R NETWORK	9-1.0K 2.0 % 10PIN	3		R27
40	40		1303064-00	75.0	.25 W 1.0 % RN55D-F10	3		R28
41	41		1300229-00	100.0	.25 W 5.0 % CF	1		R126
42	42		1313584-00	158.0	.25 W 1.0 % RN55D-F10	1		R33
43	43		1319531-01	221.0	.25 W 1.0 % RN55D-F10	1		R32
44	44		1317404-00	249.0	.25 W 1.0 % RN55D-F10	1		R201
45	45		1304858-00	348.0	.25 W 1.0 % RN55D-F10	1		R125,R200
46	46		1318341-25	357.0	.25 W 1.0 % RN550-F10	1		R31,R124
47	47		1305126-00	619.0	.25 W 1.0 % RN55D-F10	2		R30
48	48		1316839-00	715.0	.25 W 1.0 % RN55D-F10	2		R29
49	49		1313589-00	1.40 K	.25 W 1.0 % RN55D-F10	1		Q1,Q3
50	50		1305145-00	2.80 K	.25 W 1.0 % RN55D-F10	1		L3-L7
51	51		1510706-00	XA 55	PNP 500MW SI 60 50 P	2		L1
52	52		1618238-02	BEAD,FERRITE	.1380DX.330LG	5		Y1
53	53		1618437-00	BEAD,FERRITE	.23600X.394LG	1		E58
54	54		1814830-00	OSCILLATOR, XTAL	24.073 MHZ	1		E15,E16
55	55		1910406-00	75451	DRIVER,PERIPH,DUAL,	1		E97
56	56		1910532-00	74S00	NAND GATE-QUAD 2IN	2		E98,E108
57	57		1910533-00	74S03	NAND GATE-QUAD 2IN,0	1		E53
58	58		1910535-00	74S05	INVERTER GATE-HEX 1	2		E8,E10,E11,E25,E26,E32
59	59		1910536-00	74S10	NAND GATE-TRIPLE 3IN	1		E42,E64
60	60		1910544-00	74S74	FF-D DUAL,EDGE TRIGG	6		E14,E31
61	61		1910548-00	74S157	MUX 1 OF 2 (QUAD)	2		E66
62	62		1910957-00	74S175	FF-D QUAD COMMON CLO	2		Q2
63	63		1912389-00	74S08	AND GATE-QUAD 2IN,PO	1		E86
64	64		1912536-01	7805	VOLT REG,FIX +5V	1		E85
65	65		1912697-00	LS174	FF-D HEX W/CLEAR	1		E90,E91
66	66		1912799-00	LS00	NAND-GATE-QUAD 2IN,P	1		E52,E70,E81
67	67		1912801-00	LS02	NOR-GATE-QUAD 2IN	2		E117
68	68		1912803-00	LS04	INVERTER GATE,HEX	3		E3,E34,E38,E40,E50
69	69		1912815-00	LS30	NAND GATE-SINGLE 8IN	1		E39
70	70		1912816-00	LS32	OR GATE-QUAD 2IN,POS	5		E24,E27,E46,E47,E84
71	71		1912820-00	LS51	A-0-I GATE 2-WIDE 2I	1		E41
72	72		1912824-00	LS74	FF-D DUAL,EDGE TRIGG	5		
73	73		1912829-00	LS86	X-OR GATE-QUAD 2IN	1		

D	I	G	I	T	A	L	TITLE	PC 100-B MOTHER BD	SECTION A	OF A	SIZE	CODE	DOCUMENT NUMBER	REV
											K	PL	5416206-0-DBP	F

LINE	ITEM	TOP DOCUMENT	PART NUMBER	MIN REV	DESCRIPTION	QTY	PER VARIATION	REFERENCE DESIGNATOR
					VARIATION REVISION LEVEL:	01		
						D1		
74	74		1912842-00		LS138 DECODER-THREE INPUT,	6		E48,E49,E51,E60,E75,E107
75	75		1912843-00		LS139 DECODER, 2 OF 4(DUAL	2		E37,E65
76	76		1912844-00		LS151 MUX 1 OF 8 & DATA	1		E33
77	77		1912847-00		LS157 MUX 1 OF 2(QUAD)	7		E35,E57,E82,E92,E121,E135,E136
78	78		1912849-00		LS161 COUNTER,SYNCHR,4BIT	2		E7,E29
79	79		1912853-00		LS175 FF-D QUAD	2		E6,E30-
80	80		1912854-00		LS193 COUNTER,SYNCHR,4BIT,	3		E115,E116,E118
81	81		1912859-00		LS258 MUX 1 OF 2 (DUAL),	4		E62,E76,E77,E122
82	82		1912863-00		LS273 FF-D OCTAL W/CLEAR	6		E28,E44,E45,E54,E102,E119
83	83		1914084-00		74S299 SHIFT REG.,8BIT RIGH	1		E100
84	84		1914214-00		LS374 FF-D OCTAL EDGE TRIG	2		E99,E120
85	85		1914423-01		CUSTOM LSI-BIPOLAR LS	1		E87
86	86		1914424-01		CUSTOM LSI-BIPOLAR L	1		E83
87	87		1914451-00		LS393 COUNTER,BINARY,4BIT	4		E4,E5,E17,E137
88	88		1915123-03		26LS32-3 RECEIVER,LINE RS232	3		E20,E23,E36
89	89		1915193-00		LS244 DRIVER,LINE,OCTAL,TR	7		E55,E56,E61,E68,E74,E88,E138
90	90		1915218-00		LS245 TRANSCEIVER,BUS,OCTA	5		E67,E109,E110,E129,E134
91	91		1915219-00		LS373 FF-D OCTAL-TRANSPARE	3		E78,E80,E96
92	92		1915415-00		9636 DRIVER,DUAL,EIA RS-	4		E18,E19,E21,E22
93	93		1916028-01		9643 DRIVER,TTL TO MOS,D	1		E71
94	94		1919018-00		LS148 PRIORITY ENCODER,8 T	1		E79
95	95		1920460-01		LS12 NAND GATE 3-IN	2		E2,E59
96	96		1921310-01		74F11 AND GATE,TRIPLE,3-IN	1		E12
97	97		2112623-03		DUAL BAUD RATE GEN/PROG DIVIDER	1		E43
98	98		2113107-01	F	8251A PUSART COMM. INTERFA	1		E89
99	99		2113628-00		4050B BUFFER/CONVERTER GAT	1		E9
100	100		2114212-00	P	2114-2 RAM,1024X4,STATIC	3		E103-E105
101	101		2117872-01		RAM 2KX8 I/O MUXD 20	5		E106,E130-E133
102	102		2118470-01		4864-1 MOS RAM 64K X1,200	16		E111-E114,E123-E128,E139-E144
103	103		2118856-00		CONTROLLER,MULTI-PROTOCOL SERIAL	1		E73
104	104		2119148-00		Z80A MICROPROCESSOR 40PIN	1		E69
105	105		2119533-01		8088 MICROPROCESSOR 5MHZ	1		E72
106	106		2120263-01		2212 RAM 256X4 NON-VOLATI	1		E95
107	107		23013E5-00		*** THIS ITEM IS NOT USED ***	-		
108	108		23020E3-00		*** THIS ITEM IS NOT USED ***	-		
109	109		23090B1-00		B1-03	1		E13
110	110		9006732-00		EYELET,ROLLED 0.1210DX0.219	6		
111	111		9009185-00		JUMPER, WIRE, INSULATED, BLACK B	2		W16,W17
112	112		9107560-01		WIRE,BUSS 22AWG TIN BARE	A/R		
113	113		1911675-00		74S138 DECODER/DEMUX 3-8 LI	1		E63
114	114		23014E5-00		*** THIS ITEM IS NOT USED ***	-		
115	115		23037E3-00		*** THIS ITEM IS NOT USED ***	-		
116	116		23019E5-00		*** THIS ITEM IS NOT USED ***	-		
117	117		23022E5-00		*** THIS ITEM IS NOT USED ***	-		
118	118		1219066-08		/REPLACED BY 12-19066-00	4		J4,J5,J7,J9

LINE ITEM TOP DOCUMENT

MIN
PART NUMBER REV DESCRIPTION

QTY PER VARIATION

REFERENCE DESIGNATOR

VARIATION REVISION LEVEL: D1

- 119 NOTE: P/N 21-18472-01 IS AN ALT. FOR PRIME P/N 21-18470-01. MIXING OF ALT. AND PRIME PARTS NOT ALLOWED.
- 120 NOTE: P/N 21-18467-01 AN ALT. FOR P/N 21-18470-01. MIXING OF ALT. AND PRIME PARTS NOT ALLOWED.
- 121 NOTE: P/N 2118472-02, 2118467-02, AND 2118470-02 IS AND ALT. PART FOR PRIME P/N 2118470-01.
- 122 NOTE: MIXING OF PRIME AND ALT. PARTS ON A SINGLE BOARD IS NOT ALLOWED.
- 123 NOTE: MIXING OF ALT. PARTS ON A SINGLE BOARD IS NOT ALLOWED.

D	I	G	I	T	A	L	TITLE	PC 100-B MOTHER BD	SECTION A	OF A	SIZE	CODE	DOCUMENT NUMBER	REV
											K	PL	5416206-0-DBP	F

LINE ITEM	TOP DOCUMENT	PART NUMBER	MIN REV	DESCRIPTION	QTY PER VARIATION															
					00	01	02	03	04	05	06	07								
				VARIATION REVISION LEVEL:	E3	B3	B3	B3	B3	B3	B3	B3	A1							
1		B-DD-5415486-0		5415486-01 F PC100 MOTHERBOARD	1	-	-	-	-	-	-	-	-	-	-	-	-	-	-	-
2		E-MD-7427719-0-DBU		7427719-01 B KEEL,SUPPORT,RAINBOW 100	1	1	-	-	-	-	-	-	-	-	-	-	-	-	-	1
3		D-AD-7019941-0-DBU		7019941-00 CONN. PANEL ASSY.	1	1	-	-	-	-	-	-	-	-	-	-	-	-	-	1
4				9010411-01 SCREW,THD RL,FLAT PHIL F/PLAS	2	2	-	-	-	-	-	-	-	-	-	-	-	-	-	2
5				9008451-05 *** THIS ITEM IS NOT USED ***	-	-	-	-	-	-	-	-	-	-	-	-	-	-	-	-
6				9010099-00 *** THIS ITEM IS NOT USED ***	-	-	-	-	-	-	-	-	-	-	-	-	-	-	-	-
7				9000049-44 SCREW,SEMS PAN PHIL 4-	3	3	-	-	-	-	-	-	-	-	-	-	-	-	-	3
8				9009948-00 WASHER,FLAT NYLON	1	1	-	-	-	-	-	-	-	-	-	-	-	-	-	1
9				9009321-00 *** THIS ITEM IS NOT USED ***	-	-	-	-	-	-	-	-	-	-	-	-	-	-	-	-
10				9006010-01 SCREW,MACH PAN PHIL 4-	1	1	-	-	-	-	-	-	-	-	-	-	-	-	-	1
11				1219857-01 STANDOFF,NYLON	11	11	-	-	-	-	-	-	-	-	-	-	-	-	-	11
12		D-MD-7428524-0-DBU		7428524-01 CONNECTOR,FASTENER,RAINBOW 100	1	1	-	-	-	-	-	-	-	-	-	-	-	-	-	1
13		B-DD-5416206-0		5416206-01 D PC100-B MOTHER BOARD	-	1	-	-	-	-	-	-	-	-	-	-	-	-	-	1
14		D-AD-7019974-0-DBU		7019974-01 B CPU ASSY RAINBOW 100B W/O ROM	-	-	1	1	1	1	1	1	1	1	1	1	1	1	1	-
15				23020E5-00 E5-02	-	-	1	-	-	-	-	-	-	-	-	-	-	-	-	-
16				23015E5-00 E5-02	-	-	-	1	-	-	-	-	-	-	-	-	-	-	-	-
17				23016E5-00 E5-02	-	-	-	-	1	-	-	-	-	-	-	-	-	-	-	-
18				23017E5-00 E5-02	-	-	-	-	-	1	-	-	-	-	-	-	-	-	-	-
19				23018E5-00 E5-02	-	-	-	-	-	-	-	-	-	-	-	-	-	-	-	1
20		A-PA-3700705-0-0		3700705-06 PKG CPU 701997X	REF	REF	REF	REF	REF	REF	REF	REF	REF	REF	REF	REF	REF	REF	REF	REF
21		A-PA-3700705-0-0		3700705-01 PKG CPU 701997X	REF	REF	REF	REF	REF	REF	REF	REF	REF	REF	REF	REF	REF	REF	REF	REF
22		D-MD-7428702-0-DBU		7428702-02 RESTRAINT,PC BOARD	1	1	-	-	-	-	-	-	-	-	-	-	-	-	-	1
23				9008451-06 SCREW,LOCK,STANDOFF ONLY .060TH	6	6	-	-	-	-	-	-	-	-	-	-	-	-	-	6
24				4901223-00 ADHESIVE, ANAEROBIC, RESIN BASE	A/R	A/R	-	-	-	-	-	-	-	-	-	-	-	-	-	A/R
25				3623792-01 LABEL,INSTALLED SPECIAL OPTION	-	-	-	-	-	-	-	-	-	-	-	-	-	-	-	1
26				23074E5-00 E5-01,E5-02 ROM	-	-	-	-	-	-	-	-	-	-	-	-	-	-	-	1
27				23073E5-00 E5-01,E5-02 ROM	-	-	-	-	-	-	-	-	-	-	-	-	-	-	-	1
28				3623793-01 LABEL,RED DOT	-	-	-	-	-	-	-	-	-	-	-	-	-	-	-	2
29				3623793-03 LABEL,YELLOW DOT	-	-	-	-	-	-	-	-	-	-	-	-	-	-	-	1
30				23063E3-00 E3-03	-	-	-	-	-	-	-	-	-	-	-	-	-	-	-	1

REVISION HISTORY			BASIC PART NO: 7019974			DRN: D. HEALY			DATE: 24-AUG-82			D I G I T A L			
ENG	ECO NUMBER	REV	SECTION A OF A	SECTION VARIATION INDEX	CHK'D:	D. HEALY	DATE:	18-OCT-82	TITLE	PARTS LIST	DOCUMENT NUMBER	SIZE	CODE	NUMBER	REV
---	INITIAL	A							CPU ASSY, RAINBOW 100						
FC	7019974-ML001	B		[A]00,01,02,03,04,05,											
FC	7019974-ML002	C		06,07											
FC	7019974-ML003	D		[B]	DES.ENG:	D. DICKLEMAN	DATE:	18-OCT-82							
AJ	7019974-ML004	E		[C]	RESP.ENG.:	F. CHALOUX	DATE:	18-OCT-82	K	PL	7019974-0-DBP				K
AJ	7019974-ML005	F		[D]											
AJ	7019974-ML006	H		[E]	MFG.ENG.:	L. HARDER	DATE:	18-OCT-82			RELEASE DATE:				09-OCT-85
AJ	7019974-ML007	J		[F]	ASSEMBLY NUMBER:				TOP DOCUMENT NUMBER:		FILE NAME:				EDIT #
AJ	7019974-ML008	K			B-DD-PC100-0-0				D-AD-7019974-0-DBU		Z5346K.PLS				4

"THIS DRAWING AND THE SPECIFICATIONS CONTAINED HEREIN ARE CONFIDENTIAL AND PROPRIETARY. THEY ARE THE PROPERTY OF DIGITAL EQUIPMENT CORPORATION AND SHALL NOT BE REPRODUCED OR COPIED OR USED IN WHOLE OR IN PART AS THE BASIS FOR THE MANUFACTURE OR SALE OF ITEMS WITHOUT WRITTEN PERMISSION. THIS IS AN UNPUBLISHED WORK PROTECTED UNDER THE FEDERAL COPYRIGHT LAWS."

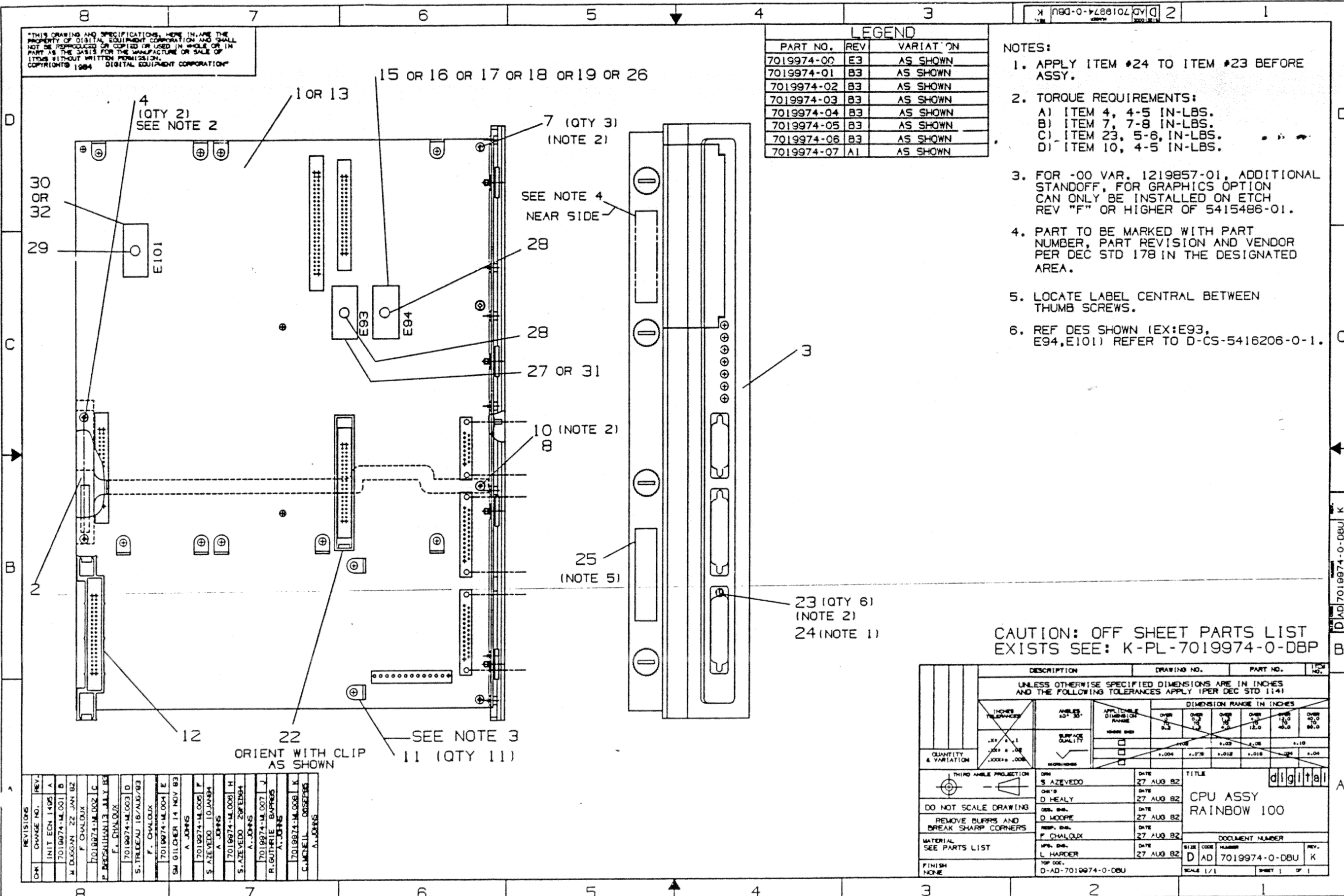
LINE ITEM	TOP DOCUMENT	PART NUMBER	MIN REV	DESCRIPTION	QTY PER VARIATION								
					00	01	02	03	04	05	06	07	
					VARIATION REVISION LEVEL:								
					E3	B3	B3	B3	B3	B3	B3	B3	A1
31	31	23022E5-00		E5-02	-	1	-	-	-	-	-	-	-
32	32	23037E3-00		E3-03	-	1	-	-	-	-	-	-	-

D	I	G	I	T	A	L	TITLE	SECTION A OF A	SIZE	CODE	DOCUMENT NUMBER	REV
							CPU ASSY, RAINBOW 100		K	PL	7019974-0-DBP	K

THIS DRAWING AND SPECIFICATIONS ARE THE PROPERTY OF DIGITAL EQUIPMENT CORPORATION AND SHALL NOT BE REPRODUCED OR COPIED OR USED IN WHOLE OR IN PART AS THE BASIS FOR THE MANUFACTURE OR SALE OF ITEMS WITHOUT WRITTEN PERMISSION. COPYRIGHT © 1984 DIGITAL EQUIPMENT CORPORATION

LEGEND		
PART NO.	REV	VARIATION
7019974-00	E3	AS SHOWN
7019974-01	B3	AS SHOWN
7019974-02	B3	AS SHOWN
7019974-03	B3	AS SHOWN
7019974-04	B3	AS SHOWN
7019974-05	B3	AS SHOWN
7019974-06	B3	AS SHOWN
7019974-07	A1	AS SHOWN

- NOTES:
1. APPLY ITEM #24 TO ITEM #23 BEFORE ASSY.
 2. TORQUE REQUIREMENTS:
A) ITEM 4, 4-5 IN-LBS.
B) ITEM 7, 7-8 IN-LBS.
C) ITEM 23, 5-6, IN-LBS.
D) ITEM 10, 4-5 IN-LBS.
 3. FOR -00 VAR. 1219857-01, ADDITIONAL STANDOFF, FOR GRAPHICS OPTION CAN ONLY BE INSTALLED ON ETCH REV "F" OR HIGHER OF 5415486-01.
 4. PART TO BE MARKED WITH PART NUMBER, PART REVISION AND VENDOR PER DEC STD 178 IN THE DESIGNATED AREA.
 5. LOCATE LABEL CENTRAL BETWEEN THUMB SCREWS.
 6. REF DES SHOWN (EX:E93, E94,E101) REFER TO D-CS-5416206-0-1.



CAUTION: OFF SHEET PARTS LIST EXISTS SEE: K-PL-7019974-0-DBP

REV	CHG	NO.	DATE	BY
A	INIT	1495		
B		7019974-M.001		
B2		7019974-M.002		
C		7019974-M.003		
D		7019974-M.003		
E		7019974-M.004		
F		7019974-M.006		
G		7019974-M.008		
H		7019974-M.007		
I		7019974-M.008		
J		7019974-M.008		
K		7019974-M.008		
L		7019974-M.008		

DESCRIPTION	DRAWING NO.	PART NO.	TYP NO.
UNLESS OTHERWISE SPECIFIED DIMENSIONS ARE IN INCHES AND THE FOLLOWING TOLERANCES APPLY (PER DEC STD 114)			
INCHES TOLERANCES	ANGLES ±0° 30'	APPLICABLE DIMENSION RANGE	
		OVER 12.0	OVER 4.0
±.015	±.010	±.010	±.010
±.010	±.008	±.008	±.008
±.008	±.006	±.006	±.006
±.006	±.004	±.004	±.004
±.004	±.002	±.002	±.002
±.002	±.001	±.001	±.001
±.001	±.0005	±.0005	±.0005
THIRD ANGLE PROJECTION	DATE	TITLE	
	27 AUG 82	CPU ASSY RAINBOW 100	
DO NOT SCALE DRAWING	DATE	DOCUMENT NUMBER	
REMOVE BURRS AND BREAK SHARP CORNERS	27 AUG 82	D AD 7019974-0-DBU K	
MATERIAL SEE PARTS LIST	DATE	SIZE	CODE
FINISH NONE	27 AUG 82	D	AD
	DATE	NUMBER	REV.
	27 AUG 82	7019974-0-DBU	K
	TOP DOC.	SCALE	SHEET
	D-AD-7019974-0-DBU	1/1	1 OF 1

D AD 7019974-0-DBU K

DRAWING NO.	NO. OF SHTS.	PART NO.	DESCRIPTION	REVISIONS															
				A	B	C	D												
		5415482-00	PC100 RX50 CONTROLLER	A	B	C	D												
E-UA-5415482-0-0	1		PC100 RX50 CONTROLLER	A	B	C	D												
D-CS-5415482-0-1	2		PC100 RX50 CONTROLLER	A	B	C	D												
K-PL-5415482-0-DBP	2		PC100 RX50 CONTROLLER	A	B	C	D												
K-PC-5415482-0-DBC			P.C. DESIGN DATA BASE	B	B	C	C												
B-DD-5015481-0-0	1		DRAWING DIRECTORY	-	-	A	B												
K-SP-5415482-0 - DBP	22		PC100 RX50 CONTROLLER SPEC.	-	-	-	A												

NOTES:

REVISIONS		DATE	CHG NO.	INT.	REV.	A	B	C	D
		7/82							
		1/83	ML001						
		3/83	ML002						
		6-83	ML003						

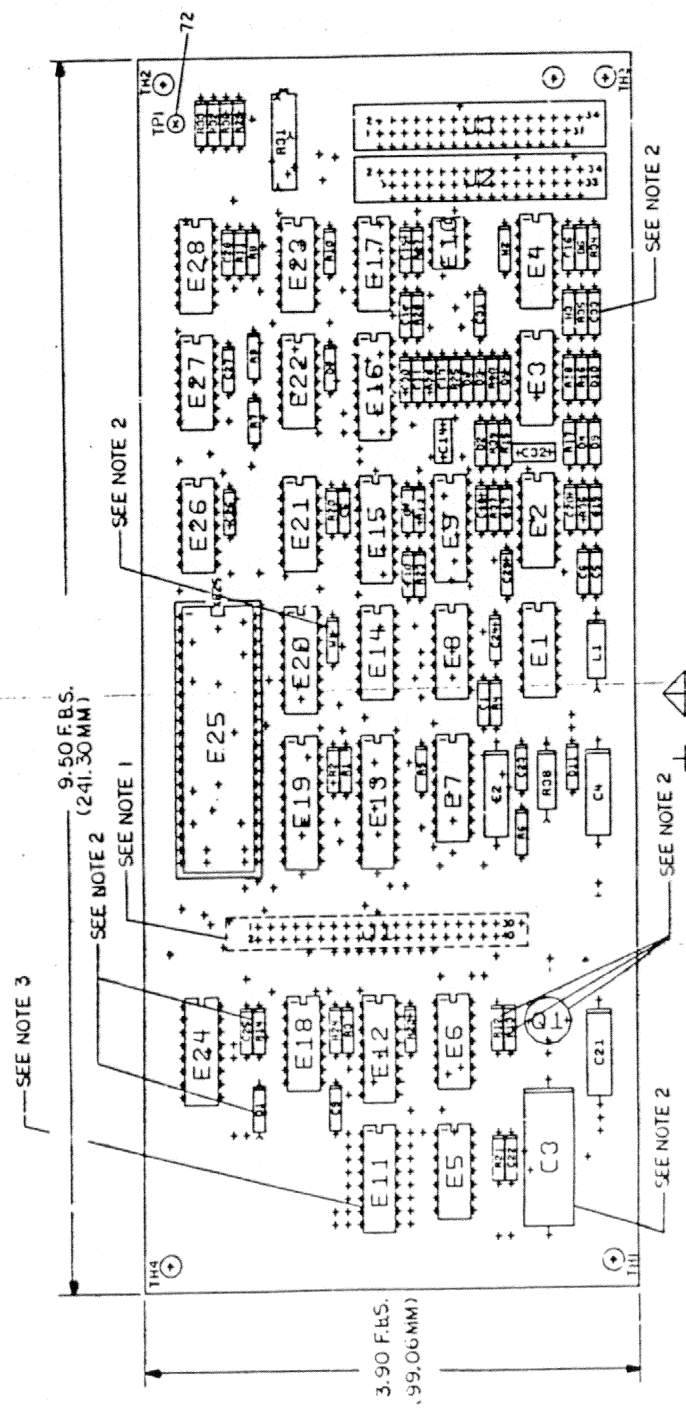
"THIS DRAWING AND SPECIFICATIONS, HEREIN, ARE THE PROPERTY OF DIGITAL EQUIPMENT CORPORATION AND SHALL NOT BE REPRODUCED OR COPIED OR USED IN WHOLE OR IN PART AS THE BASIS FOR THE MANUFACTURE OR SALE OF ITEMS WITHOUT WRITTEN PERMISSION.
 COPYRIGHT © 1982 DIGITAL EQUIPMENT CORPORATION



USED ON OPTION/MODEL	DRN. J. COTE	13JUL82	TITLE			
PC100	CHK'D J. COTE	13JUL82	PC100 RX50 CONTROLLER			
	ENG. D. LEBLANC	13JUL82	SIZE	CODE	NUMBER	REV.
	PROD. E. TOMPKINS	13JUL82	B	DD	5415482-0	D
			SHEET 1 OF 1			

A B C D E F H J

DATE: 10/15/72
 DRAWN BY: J. L. ...
 CHECKED BY: ...
 TITLE: ...



NOTES:
 1. J1 IS MOUNTED ON SIDE 2
 2. J2 IS MOUNTED ON SIDE 1
 3. J3 IS MOUNTED ON SIDE 2

CHECK CHANGE NO. REV. 1 2 3 4 5 6 7 8 9 10 11 12 13 14 15 16 17 18 19 20 21 22 23 24 25 26 27 28 29 30 31 32 33 34 35 36 37 38 39 40 41 42 43 44 45 46 47 48 49 50 51 52 53 54 55 56 57 58 59 60 61 62 63 64 65 66 67 68 69 70 71 72 73 74 75 76 77 78 79 80 81 82 83 84 85 86 87 88 89 90 91 92 93 94 95 96 97 98 99 100

STEP	REP. RT.	X	Y	Z	REP. RT.	STEP	TIMES
1						1	1
2						2	1
3						3	1

DATE	SIGNATURES	NUMBER
10/15/72	J. L. ...	1
10/15/72	...	2
10/15/72	...	3
10/15/72	...	4
10/15/72	...	5
10/15/72	...	6
10/15/72	...	7
10/15/72	...	8
10/15/72	...	9
10/15/72	...	10

DATE	SIGNATURES	NUMBER
10/15/72	J. L. ...	1
10/15/72	...	2
10/15/72	...	3
10/15/72	...	4
10/15/72	...	5
10/15/72	...	6
10/15/72	...	7
10/15/72	...	8
10/15/72	...	9
10/15/72	...	10

AUTOMATED BY PRTLST.3P(44)

PARTS LIST

SHEET A1 OF A2

LINE	ITEM	DOCUMENT NUMBER	PART NUMBER	DESCRIPTION	QTY PER VARIATION	REFERENCE DESIGNATOR
1	1	D-MD-5015481-0-0	5015481-00	CIRCUIT DRILL & ETCH	1	
2	2		1000022-00	270.0 MMF 100V 5%200PPM MICA	1	C32
3	3		1001610-00	.01 MFD 50V +80-20% Z5U CER	10	C5,C6,C8,C11,C12,C13,C16,C17, C19,C20
4	4		1001631-00	390.0 MMF 100V 5%200PPM MICA	1	C14
5	5		1005306-00	6.8MFD 35V 10% S.TANT	1	C2
6	6		1012084-03	*** THIS ITEM IS NOT USED ***	-	
7	7		1012784-00	.047 MFD 50V +80-20% CER	10	C22-C31
8	8		1013466-04	33.0 MMF 50V 5% CER	1	C15
9	9		1013466-06	100.0 MMF 50V 5% CER	2	C1,C10
10	10		1013466-07	220.0 MMF 50V 5% CER	1	C7
11	11		1013466-19	470.0 MMF 50V 5% CER	1	C18
12	12		1013466-27	820.0 MMF 50V 5% X7R CER	1	C9
13	13		1017472-00	10 MFD 35V +50-10% AL EL	2	C4,C21
14	14		1102421-01	DEC 753 VZ= 6.2 1% .40W	1	D6
15	15		1110488-00	*** THIS ITEM IS NOT USED ***	-	
16	16		1110994-00	1N 751A VZ= 5.1 5% .40W	1	D11
17	17		1111577-00	1N 4454 TR= 4NS PIV= 50 S	6	D2-D5,D7,D9
18	18		1215006-02	*** THIS ITEM IS NOT USED ***	-	
19	19		1215006-08	SKT,IC 40PIN DIP TIN SOLD	1	XE25
20	20		1219065-00	*** THIS ITEM IS NOT USED ***	-	
21	21		1219952-01	*** THIS ITEM IS NOT USED ***	-	
22	22		1300229-00	100.0 .25 W 5.0 % CF	1	R20
23	23		1300250-00	150.0 .25 W 5.0 % CF	5	R7-R11
24	24		1300274-00	220.0 .50 W 5.0 % CF	1	R38
25	25		1300309-00	390.0 .25 W 5.0 % CF	1	R24
26	26		1300365-00	1.0 K .25 W 5.0 % CF	6	R6,R15,R16,R21,R22,R37
27	27		1300444-00	3.90 K .25 W 5.0 % CF	2	R4,R23
28	28		1300447-00	*** THIS ITEM IS NOT USED ***	-	
29	29		1300479-00	10.0 K .25 W 5.0 % CF	3	R1-R3

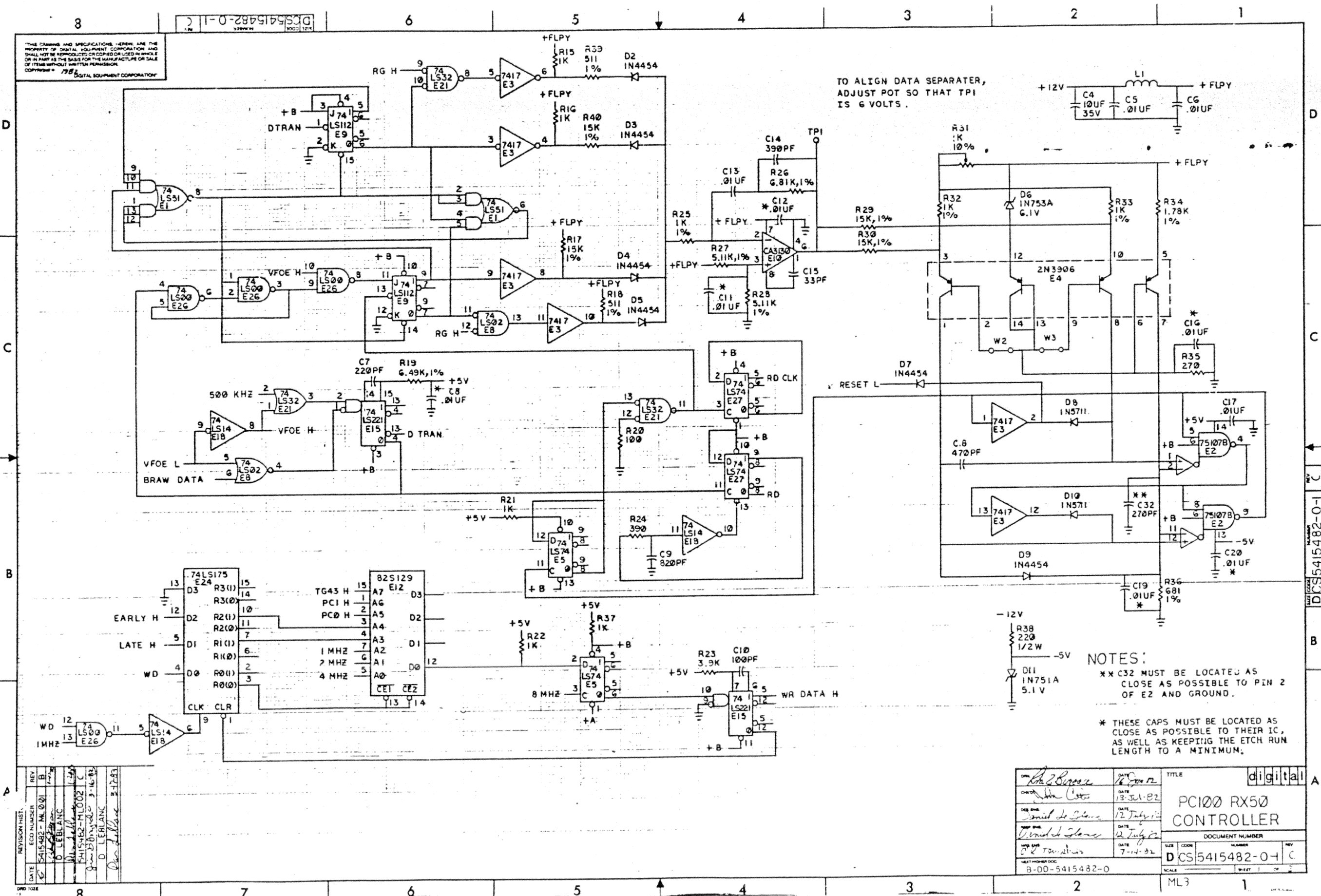
REVISION HISTORY			BASIC PART NO: 5415482		DRN:	R.Z. BUREAU	DATE:	DIGITAL			
ENG:	ECO NUMBER	REV	SECTION A OF A	CHK'D:	J. LEPKOWSKI	DATE:	31-MAR-82	TITLE PARTS LIST			
	INITIAL	A	SECTION VARIATION INDEX					PC100 RX50 CONTROLLER			
DL	5415482-ML001	B	[A] 00	DES.ENG:	DAN LEBLANC	DATE:	12-JUL-82	DOCUMENT NUMBER			
DL	5415482-ML002	C	[B]	RESP.ENG.:	DAN LEBLANC	DATE:	12-JUL-82	SIZE	CODE	NUMBER	REV
			[C]	MFG.ENG.:	ED TOMPKINS	DATE:	12-JUL-82	K	PL	5415482-0-DBP	C
			[D]	ASSEMBLY NUMBER:	D-UA-5415482-0-0	TOP DOCUMENT NUMBER:	#D-83-5415482-0	FILE NAME:		Z4363C.PLS	EDIT #
			[E]								21
			[F]								
			[G]								
			[H]								
			[J]								
			[K]								
			[L]								
			[M]								
			[N]								

"THIS DRAWING AND SPECIFICATIONS HEREIN, ARE THE PROPERTY OF DIGITAL EQUIPMENT CORPORATION AND SHALL NOT BE REPRODUCED OR COPIED OR USED IN WHOLE OR IN PART AS THE BASIS FOR THE MANUFACTURE OR SALE OF ITEMS WITHOUT WRITTEN PERMISSION. COPYRIGHT (C) 1983. DIGITAL EQUIPMENT CORPORATION "

LINE	ITEM	DOCUMENT NUMBER	PART NUMBER	DESCRIPTION	QTY PER VARIATION 00	REFERENCE DESIGNATOR
30	30		1301972-00	270.0 .25 W 5.0 % CF	1	R35
31	31		1302395-00	*** THIS ITEM IS NOT USED ***	-	
32	32		1302411-00	511.0 .25 W 1.0 % RN55D-F10	2	R18,R39
33	33		1302612-00	1.78 K .25 W 1.0 % RN55D-F10	1	R34
34	34		1302872-00	681.0 .25 W 1.0 % RN55D-F1	1	R36
35	35		1303114-00	1.0 K .25 W 1.0 % RN55D-F10	3	R25,R32,R33
36	36		1304854-00	5.11 K .25 W 1.0 % RN55D-F10	2	R27,R28
37	37		1304870-00	6.81 K .25 W 1.0 % RN55D-F10	1	R26
38	38		1309143-07	1.0 K .75 W10.0 % POT	1	R31
39	39		1313752-00	15.0 K .25 W 1.0 % RN55D-F10	4	R17,R40,R29,R30
40	40		1317399-00	6.49 K .25 W 1.0 % RN55D-F10	1	R19
41	41		1510706-00	*** THIS ITEM IS NOT USED ***	-	
42	42		1517999-00	3906 PNP 900MW ARRAY 14PIN	1	E4
43	43		1618238-02	BEAD,FERRITE .1380DX.330LG	1	L1
44	44		1909929-00	7417 BUFFER GATE-HEX 1INP	1	E3
45	45		1910268-00	DEC 75107B RECEIVER,LINE,DUAL,	1	E2
46	46		1911219-00	7438 NAND GATE-QUAD 2IN,B	3	E17,E22,E23
47	47		1912799-00	LS00 NAND-GATE-QUAD 2IN,P	2	E14,E26
48	48		1912801-00	LS02 NOR-GATE-QUAD 2IN	1	E8
49	49		1912816-00	LS32 OR GATE-QUAD 2IN,POS	2	E21,E28
50	50		1912820-00	LS51 A-O-I GATE 2-WIDE 2I	2	E1,E6
51	51		1912824-00	LS74 FF-D DUAL,EDGE TRIGG	2	E5,E27
52	52		1912834-00	LS112 FF-JK,DUAL,EDGE TRIG	1	E9
53	53		1912848-00	LS158 MUX 1 OF 2 (QUAD)	1	E16
54	54		1912853-00	LS175 FF-D QUAD	1	E24
55	55		1912858-00	LS221 ONE SHOT-DUAL,SCHMIT	2	E7,E15
56	56		1912863-00	LS273 FF-D OCTAL W/CLEAR	1	E19
57	57		1913414-00	LS14 INVERTER GATE-HEX SC	1	E18
58	58		1913471-00	LS367 DRIVER,BUS,HEX,TRI-	1	E20
59	59		1914466-00	3130E OP AMP MOS/FET IN,CM	1	E10
60	60		1915193-00	LS244 DRIVER,LINE,OCTAL,T	1	E13
61	61		2118823-00	1793-02 FLOPPY DISK FORMAT	1	E25
62	62		23640A2-00	A2-05,A2-08 RO	1	E12
63	63		9009185-00	JUMPER, WIRE, INSULATED, BLACK B	2	W2,W3
64	64		9009743-00	*** THIS ITEM IS NOT USED ***	-	
65	65		9107256-00	*** THIS ITEM IS NOT USED ***	-	
66	66		1300539-00	120.0 K .25 W 5.0 % CF	1	R5
67	67		1219952-04	PCB HEADER 34PIN(2X17).100CC STR	1	J3
68	68		1219952-03	PCB HEADER 34PIN(2X17).100CC STR	1	J2
69	69		1110603-00	1N 5711 TM=100PS PIV= 70V HM	2	D8,D10
70	70		9105740-55	*** THIS ITEM IS NOT USED ***	-	
71	71		1219065-03	CONN,P+S 48SKT(2X24).100CC	1	J1
72	72		1215901-09	PCB,HEADER 01 PIN(1X01).100 CC S	1	TP1

D	I	G	I	T	A	L	TITLE	SECTION A OF A	SIZE	CODE	DOCUMENT NUMBER	REV
							PC100 RX50 CONTROLLER		K	PL	5415482-0-DBP	C

THE CIRCUITS AND SPECIFICATIONS HEREIN ARE THE PROPERTY OF DIGITAL EQUIPMENT CORPORATION AND SHALL NOT BE REPRODUCED OR COPIED IN WHOLE OR IN PART AS THE BASIS FOR THE MANUFACTURE OR SALE OF ITEMS WITHOUT WRITTEN PERMISSION.
COPYRIGHT © 1982 DIGITAL EQUIPMENT CORPORATION

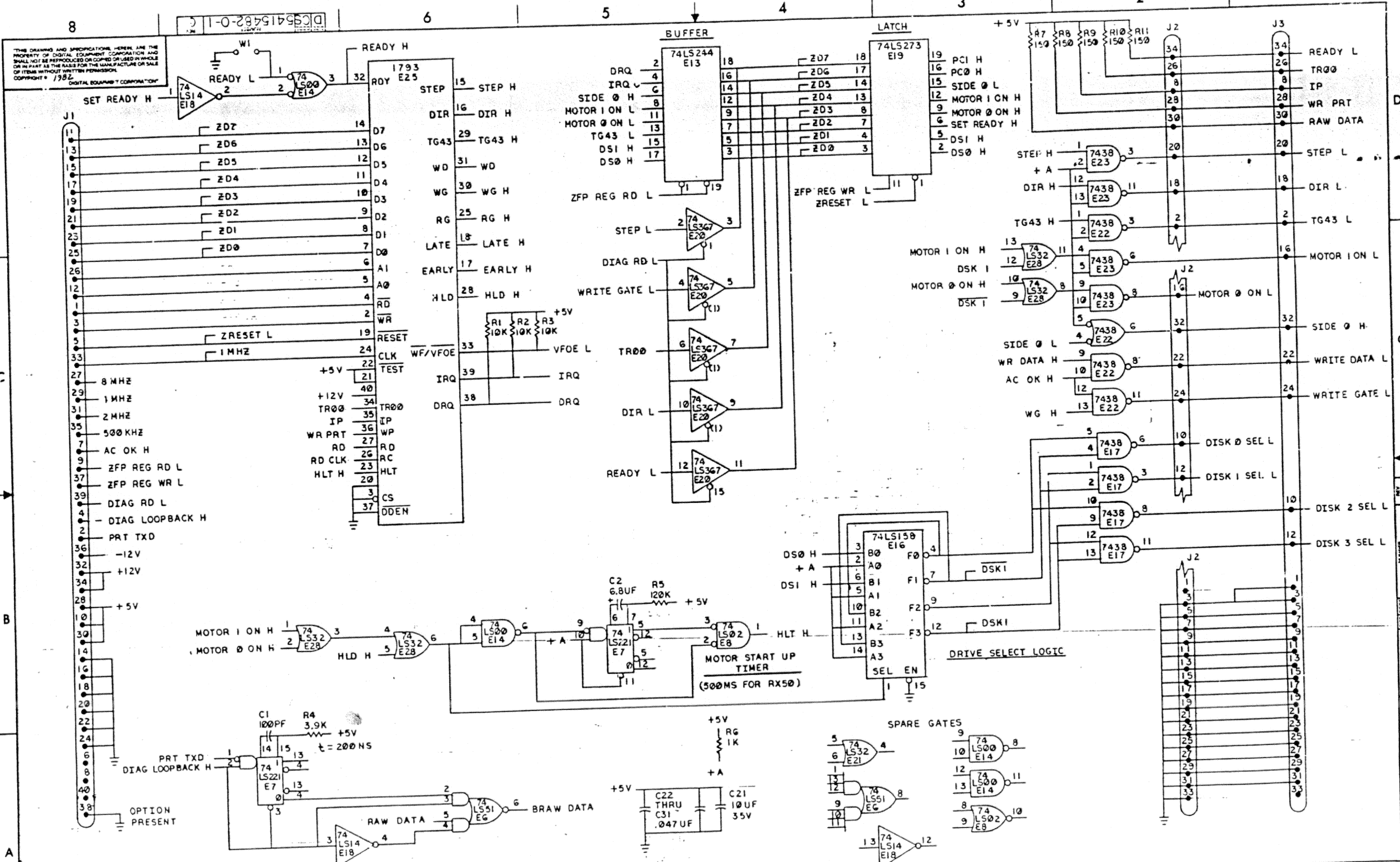


TO ALIGN DATA SEPARATER, ADJUST POT SO THAT TPI IS 6 VOLTS.

NOTES:
 ** C32 MUST BE LOCATED AS CLOSE AS POSSIBLE TO PIN 2 OF E2 AND GROUND.
 * THESE CAPS MUST BE LOCATED AS CLOSE AS POSSIBLE TO THEIR IC, AS WELL AS KEEPING THE ETCH RUN LENGTH TO A MINIMUM.

DATE	ECO NUMBER	REV
5/15/82	ML001	B
5/15/82	ML002	C
5/15/82	ML003	D
5/15/82	ML004	E
5/15/82	ML005	F
5/15/82	ML006	G
5/15/82	ML007	H
5/15/82	ML008	I
5/15/82	ML009	J
5/15/82	ML010	K
5/15/82	ML011	L
5/15/82	ML012	M
5/15/82	ML013	N
5/15/82	ML014	O
5/15/82	ML015	P
5/15/82	ML016	Q
5/15/82	ML017	R
5/15/82	ML018	S
5/15/82	ML019	T
5/15/82	ML020	U
5/15/82	ML021	V
5/15/82	ML022	W
5/15/82	ML023	X
5/15/82	ML024	Y
5/15/82	ML025	Z

DATE	DATE	TITLE
12/20/81	12/20/81	digital
13/31/82	13/31/82	PC100 RX50 CONTROLLER
12/20/81	12/20/81	DOCUMENT NUMBER
7-11-82	7-11-82	D CS5415482-0-1 C
B-00-5415482-0		SCALE
		ML3



REVISION HISTORY			DOCUMENT NUMBER	
DATE	ECO NUMBER	REV	SIZE CODE	NUMBER
			DCS5415482-0-1	C
			SCALE	SHEET 2 OF 2

PCI00 RX50 CONTROLLER

DCS5415482-0-1 C

DCS5415482-0-1 C