

DEC-11-HTCA-D

**TC11
DECtape system
engineering drawings**

Copyright © 1971 by Digital Equipment Corporation

The material in this manual is for informational purposes and is subject to change without notice.

The following are trademarks of Digital Equipment Corporation, Maynard, Massachusetts:

DEC	PDP
FLIP CHIP	FOCAL
DIGITAL	COMPUTER LAB

TC11 ENGINEERING DRAWINGS

Drawing	Sheets	Description	Drawing	Sheets	Description
A-ML-TC11-0	2	DEctape Control Master List	D-BS-TC11-0-18	1	Output Gating 2
D-UA-TC11-0-0	3	DEctape Control	D-BS-TC11-0-19	1	Address Selection & Interrupt Control
A-PL-TC11-0-0	1	DEctape Control (Parts List)	D-IC-TC11-0-20	1	Bus Connectors
D-DI-TC11-0-32	2	Drawing Index List	D-BS-TC11-0-21	1	Bus Address Register (TCBA)
D-AD-7007048-0-0	1	Wired Assembly	D-BS-TC11-0-22	1	Word Count Register (TCWC)
A-PL-7007408-0-0	1	Wired Assembly (Parts List)	D-BS-TC11-0-23	1	TC11 Control Panel
D-MU-TC11-0-0	2	Module Utilization	D-BS-TC11-0-24	1	DEctape Timing
A-PL-TC11-0-01	2	Module Utilization (Parts List)	D-BS-TC11-0-25	1	TC11 Slave Response
D-BS-TC11-0-02	1	DEctape Control Control	D-BS-TC11-0-26	1	Ready and Error Sequence
D-BS-TC11-0-03	1	DEctape Control Errors	D-BS-TC11-0-27	1	NPR Transfer – DATI
D-BS-TC11-0-04	1	DEctape Control TP, UPS, Motion Control	D-TD-TC11-0-28	1	NPR Transfer – DATO
D-BS-TC11-0-05	1	DEctape Control	K-WL-TC11-0-30 (complete)	1	Wire List
D-BS-TC11-0-06	1	RWB and LPB	C-CS-M105-0-1	1	Address Selector
D-BS-TC11-0-07	1	Mark Track Decoder	D-CS-M228-0-1	1	Mark Track Decoder
D-BS-TC11-0-08	1	NPR Control	D-CS-M239-0-1	1	Three 4-Bit Counter/Registers
D-BS-TC11-0-09	1	Register Control	D-CS-M7820-0-1	1	Interrupt Control Module
D-BS-TC11-0-10	1	Slave Response & Maintenance Bits	B-CS-M783-0-1	1	Unibus Transmitter
D-BS-TC11-0-11	1	Command Register	D-CS-M795-0-1	1	Word Count & Bus Address Register
D-BS-TC11-0-12	1	TU56 Connections	D-CS-M796-0-1	1	Unibus Master Control
D-BS-TC11-0-13	1	Unibus Drivers and Receivers	C-CS-M798-0-1	1	Unibus Drivers
D-BS-TC11-0-14	1	Data Register 1	B-CS-G879-0-1	1	Transport Detector
D-BS-TC11-0-15	1	Data Register 2	B-CS-G888-0-1	1	Manchester Read/Write Amplifier
D-BS-TC11-0-16	1	Data Register 3	B-CS-854-0-1	1	Power Control
D-BS-TC11-0-17	1	Output Gating 1			

This drawing and specifications, herein, are the property of Digital Equipment Corporation and shall not be reproduced or copied or used in whole or in part as the basis for the manufacture or sale of items without written permission.

MASTER DRAWING LIST

DWG. NO.	REV. LET.	NO. OF SHEETS	TITLE
D-UA-TC11-0-0	C	3	DEC TAPE CONTROL
A-PL-TC11-0-0	C	1	DEC TAPE CONTROL
D-DI-TC11-0-32	D	2	DRAWING INDEX LIST (TC11)
D-AD-7007048-0-0	A	1	WIRED ASSY
A-PL-7007048-0-0	A	1	WIRED ASSY
D-MU-TC11-0-01	E	2	MODULE UTILIZATION
A-PL-TC11-0-01	E	2	MODULE UTILIZATION
D-BS-TC11-0-02	C	1	DECTAPE CONTROL CONTROL
D-BS-TC11-0-03	B	1	DECTAPE CONTROL ERRORS
D-BS-TC11-0-04	A	1	DECTAPE CONT TP, UPS, MOTION CONT
D-BS-TC11-0-05	A	1	DECTAPE CONTROL
D-BS-TC11-0-06	A	1	RWB AND LPB
D-BS-TC11-0-07		1	MARK TRACK DECODER
D-BS-TC11-0-08	C	1	NPR CONTROL
D-BS-TC11-0-09		1	REGISTER CONTROL
D-BS-TC11-0-10	B	1	SLAVE RESP AND MAINT BITS
D-BS-TC11-0-11	A	1	COMMAND REGISTER
D-BS-TC11-0-12	C	1	TU56 CONNECTIONS
D-BS-TC11-0-13		1	LNIBUS DRIVER AND RECEIVERS
D-BS-TC11-0-14		1	DATA REGISTER 1
D-BS-TC11-0-15		1	DATA REGISTER 2
D-BS-TC11-0-16		1	DATA REGISTER 3
D-BS-TC11-0-17	A	1	OUTPUT GATING 1
D-BS-TC11-0-18		1	OUTPUT GATING 2
D-BS-TC11-0-19	C	1	ADDR SEL AND INT CONT
D-IC-TC11-0-20		1	BUS CONNECTORS
D-BS-TC11-0-21	A	1	BUS ADDRESS REGISTER (TCBA)
D-BS-TC11-0-22	A	1	WORD COUNT REGISTER (TCWC)
D-BS-TC11-0-23		1	TC11 CONTROL PANEL
D-TD-TC11-0-24		1	DECTAPE TIMING
D-TD-TC11-0-25		1	TC11 SLAVE RESPONSE
D-TD-TC11-0-26		1	READY AND ERROR SEQUENCE

REVISIONS				DRN. MACKENZIE	DATE 10/24/70	digital	EQUIPMENT CORPORATION	MAYNARD, MASSACHUSETTS			
REV.	DATE	CHG. NO.	APP'D.	CHK'D.	DATE						
A	1/5/71	00002	P. J.	MACKENZIE	10/29/70	TITLE DECTAPE CONTROL					
B	2/7/71	00003	P. J.								
C	2/7/71	00004	P. J.								
D	5/7/71	00006	P. J.								
E	9/7/71	00007	A. V.								
F	11/7/71	00009	P. J.								
H	11/7/71	00008	P. J.								
J	4/72	00010	P. J.								
K	5/72	00011	P. J.								
L	5/72	00012	P. J.								
FIRST USED ON				PROD. <i>Call</i>	DATE 11/3/70						
PDP-11				SIZE	CODE				NUMBER	REV.	
SCALE				A	ML	TC11-0	E				
SHEET 1 OF 3				DIST.							

MASTER DRAWING LIST

DWG. NO.	REV. LET.	NO. OF SHEETS	TITLE
D-TD-TC11-0-27		1	NPR TRANSFER DATA
D-TD-TC11-0-28		1	NPR TRANSFER DATA
D-AD-TC11-0-29	A	2	MAX CONNECTION (TC11)
K-WL-TC11-0-30 *	F	1	WIRE LIST
A-SP-TC11-0-33		20	ENGINEERING SPECIFICATION
A-SP-TC11-0-34	REF	4	TC11 TEST PROCEDURE
A-SP-TC11-0-35	REF	3	TC11/TU56 IN HOUSE ACCEPTANCE TEST
A-AL-TC11-0-36		1	TC11 ACCESSORY LIST
A-SL-TC11-0-37		1	TC11 SOFTWARE LIST
* PRINT THE COMPLETE WIRELIST			

REVISIONS				DRN. MACKENZIE	DATE 10/29/70	digital	EQUIPMENT CORPORATION	MAYNARD, MASSACHUSETTS
REV.	DATE	CHG. NO.	APP'D.	CHK'D.	DATE			
				MACKENZIE	10/29/70	TITLE DECTAPE CONTROL		
				ENG.				
				PROJ. ENG.				
				PROD.				
				FIRST USED ON				
				PDP-11				
SCALE				A	ML	TC11-0	L	
SHEET 2 OF 3				DIST.				

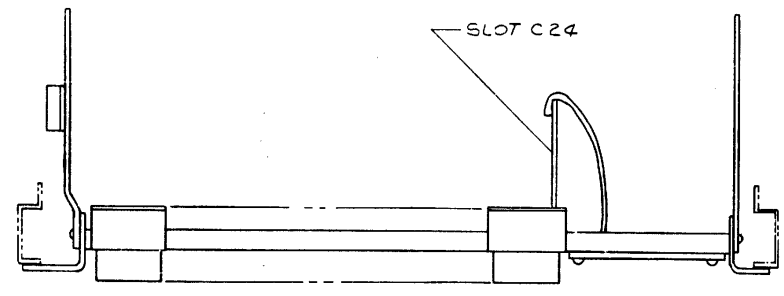
ADDITIONAL CUSTOMER PRINTS

Drawing Number	Rev. Let	Title
D-CS-M796-0-1	A	UNIBUS MASTER CONTROL
D-CS-M795-0-1	A	WC AND CMA MODULE
C-CS-M798-0-1		UNIBUS DRIVERS
B-CS-M783-0-1		UNIBUS DRIVERS
D-CS-M228-0-1		MARK TRACK DECODER
D-CS-M239-0-1		THREE "4" BIT CONVERTER REGISTER
B-CS-854-0-1	A	POWER CONTROL
B-CS-G879-0-1		TRANSPORT DETECTOR
D-CS-M7821-0-1		INTERRUPT CONTROL

Rev.	Date	Change Number	
L	5-31-72	TC11-00012	<p data-bbox="1659 1501 2122 1560"><i>Paul E. Janson</i> 11-25-70</p> <p data-bbox="1703 1560 2094 1588">Requested by Date</p>
			<p data-bbox="1659 1628 2122 1689"><i>Paul E. Janson</i> 11-25-70</p> <p data-bbox="1659 1689 2094 1721">Authorized by Date</p>

This drawing and specifications herein are the property of Digital Equipment Corporation and shall not be reproduced or copied or used in whole or in part as the basis for the manufacture or sale of items without written permission.

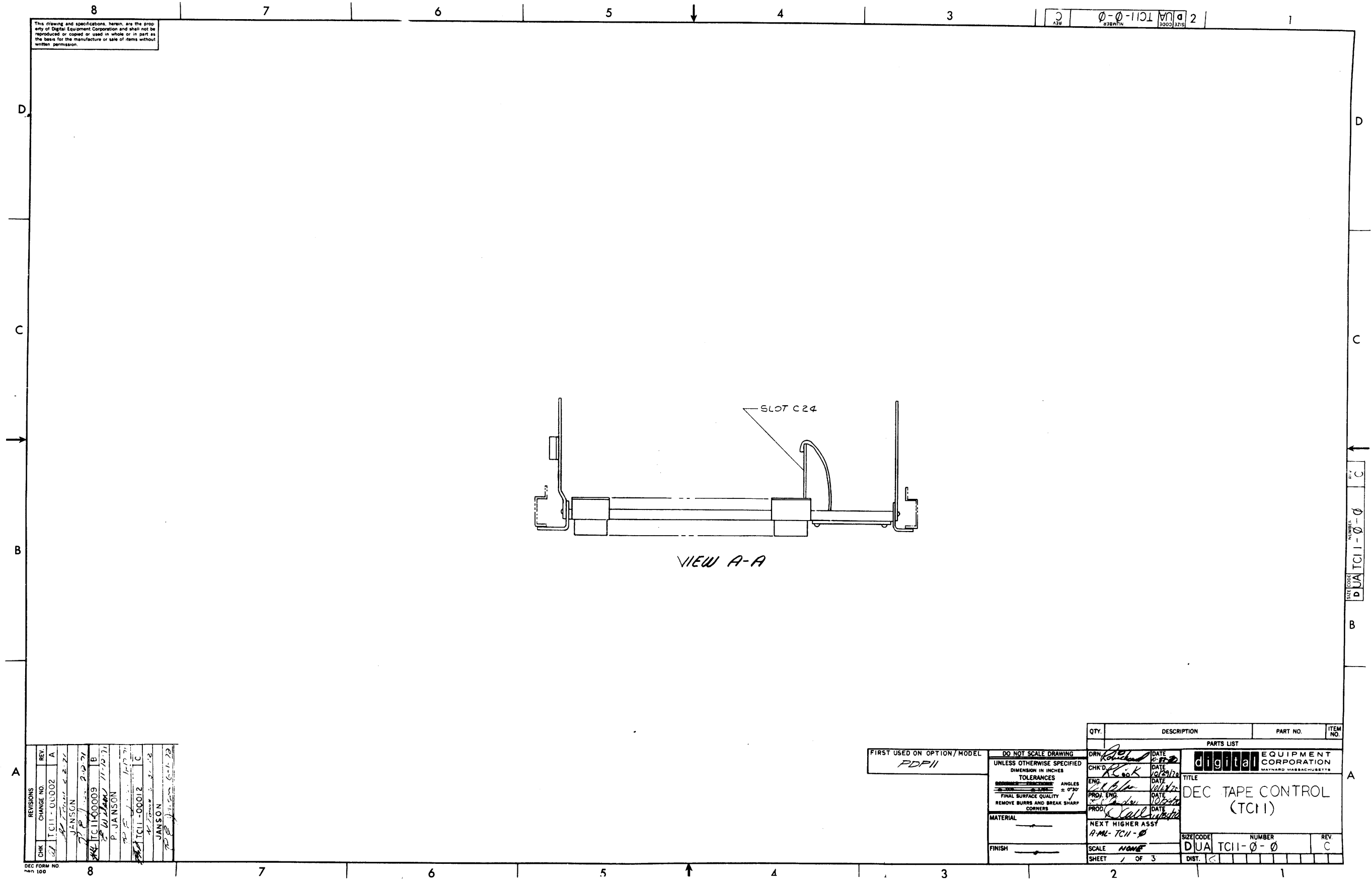
0-0-1101 2
 3200 3215



VIEW A-A

REV.	CHG. NO.	DATE	BY	CHKD.
A	00002	11-10-71	P. JANSON	
B	00009	11-10-71	P. JANSON	
C	00012	11-10-71	P. JANSON	

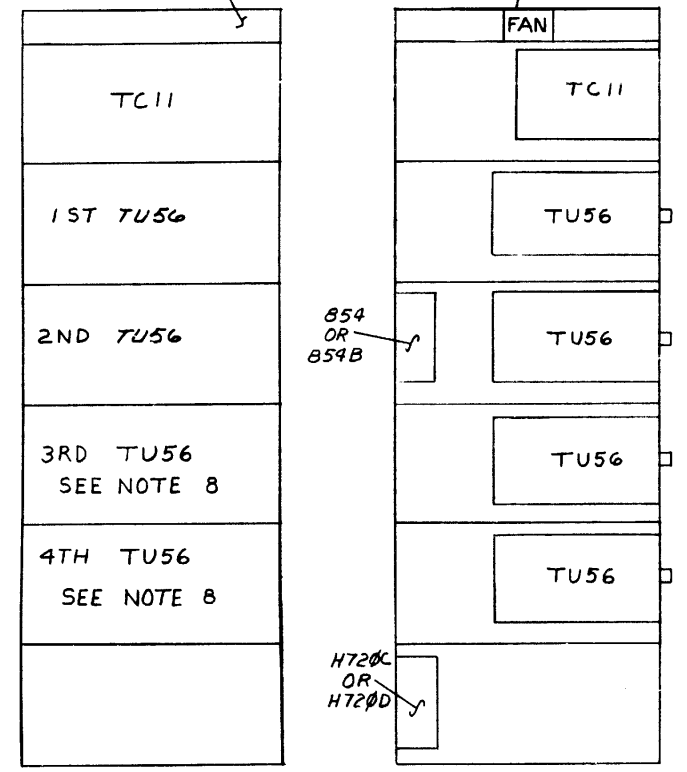
FIRST USED ON OPTION/MODEL PDP11		DO NOT SCALE DRAWING		DRN: [Signature] DATE: 12-22-71	
UNLESS OTHERWISE SPECIFIED DIMENSION IN INCHES		TOLERANCES		CHK'D: [Signature] DATE: 12/29/71	
ANGLES ± 0°30'		FINAL SURFACE QUALITY REMOVE BURRS AND BREAK SHARP CORNERS		ENG: [Signature] DATE: 12/18/71	
MATERIAL		NEXT HIGHER ASST		PROJ. ENG: [Signature] DATE: 12/29/71	
FINISH		SCALE NAME		PROD: [Signature] DATE: 12/29/71	
SHEET 1 OF 3		TITLE		PARTS LIST	
		DEC TAPE CONTROL (TC11)		digital EQUIPMENT CORPORATION	
		SIZE CODE		NUMBER	
		DUA TC11-0-0		REV C	



This drawing and specifications, herein, are the property of Digital Equipment Corporation and shall not be reproduced or copied or used in whole or in part as the basis for the manufacture or sale of items without written permission.

PDP-11 BLANK LOGO
D-IR-7407936-1

SEE NOTE 6



H950 CPB.
FRONT

H950 CAB
(SIDE)

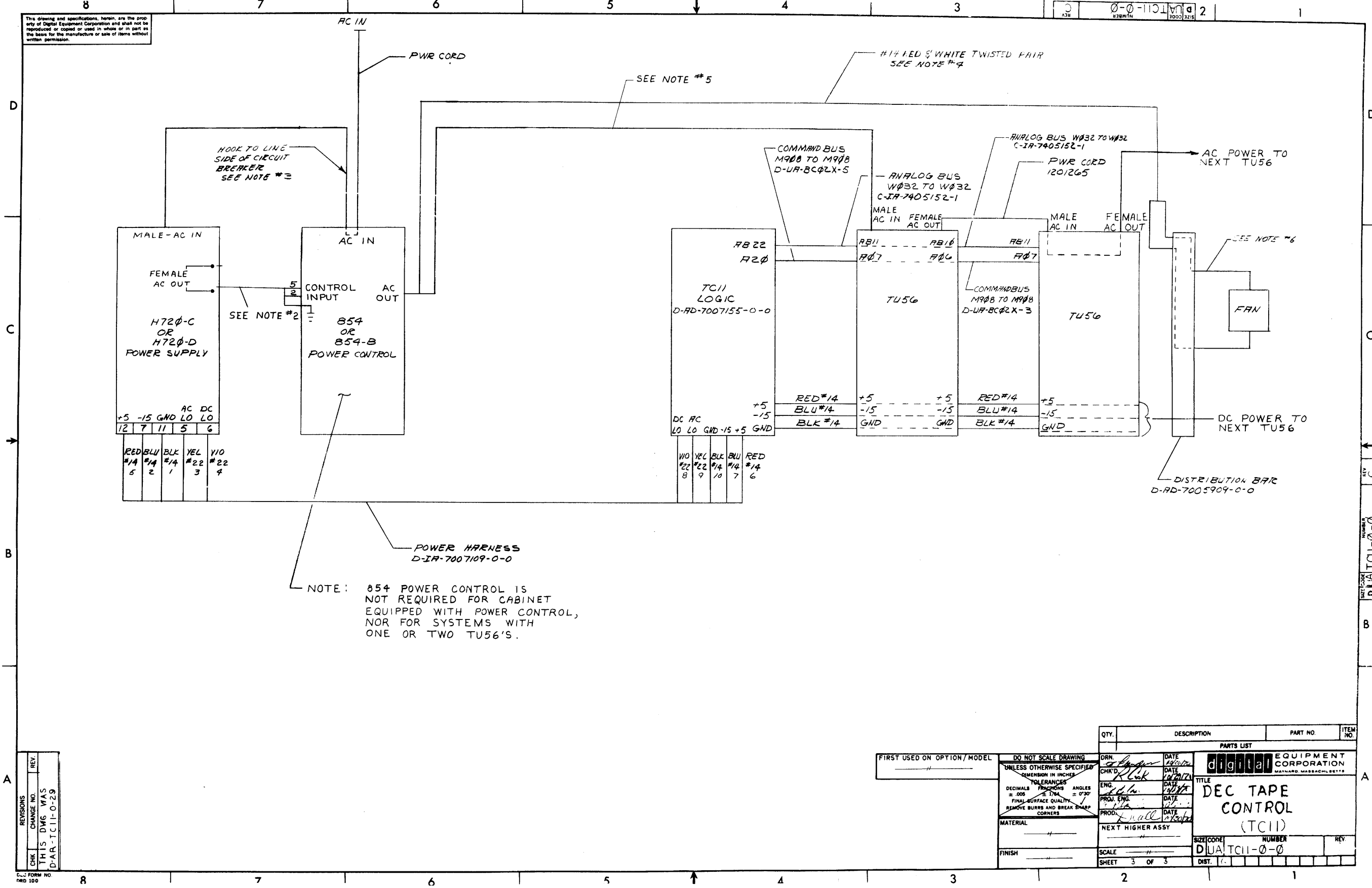
NOTES:

- FOR SYSTEM WIRING INFORMATION SEE SHEET # 3
- REMOVE FEMALE PLUG FROM POWER CORD (#1201265) & ATTACH (2) SOLDERLESS CONN #50364 ARKLESS (9007928) & (1) SOLDERLESS CONN #50325 ARKLESS (9007927) TO GND WIRE. GND WIRE IS ATTACHED TO TERMINAL STRIP MOUNTING SCREW.
- REMOVE MALE PLUG FROM POWER CORD (1201265) & ATTACH (3) SOLDERLESS CONN #50368 ARKLESS (9007926).
- ATTACH 4 #50906 ARKLESS (9007919) TO RED & WHITE TWISTED PAIR, ONE END IS ATTACHED TO B54 OUTPUT & THE OTHER END TO THE DISTRIBUTION BAR.
- REMOVE MALE PLUG FROM POWER CORD (1201265) & ATTACH (2) SOLDERLESS CONN #50906 ARKLESS (9007919), 1 SOLDERLESS CONN #56325 ARKLESS (9007927) TO GND WIRE WHICH IS ATTACHED UNDERNEATH NEAREST SCREW HEAD.
- USE ONE FAN FOR 10V SYSTEMS, CONNECT TWO FANS IN SERIES FOR 240V SYSTEMS.
- H720 AND 854 ARE BACK-DOOR MOUNTED.
- OPTIONALLY CAN BE "SELF-CONTAINED UNITS" SUCH AS B111 OR RC11. INSTALL FIRST IN LOWEST POSITION AND EXPAND UP. TU56'S EXPAND DOWN.

REV.	CHANGE NO.
1	THIS DWG WAS D-AR-TC11-0-29

QTY.	DESCRIPTION	PART NO.	ITEM NO.												
PARTS LIST															
<table border="1"> <tr> <td>DRN. <i>G. London</i></td> <td>DATE <i>12/2/72</i></td> <td colspan="2" rowspan="5"> digital EQUIPMENT CORPORATION MAYNARD, MASSACHUSETTS TITLE DEC TAPE CONTROL (TC11) SIZE CODE NUMBER DUA TC11-0-0 DIST. G </td> </tr> <tr> <td>CHK'D. <i>R. Cook</i></td> <td>DATE <i>12/2/72</i></td> </tr> <tr> <td>ENG. <i>A. B. ...</i></td> <td>DATE <i>12/2/72</i></td> </tr> <tr> <td>PROJ. ENGR. <i>G. London</i></td> <td>DATE <i>12/2/72</i></td> </tr> <tr> <td>PROOF. <i>K. Call</i></td> <td>DATE <i>12/2/72</i></td> </tr> </table>				DRN. <i>G. London</i>	DATE <i>12/2/72</i>	digital EQUIPMENT CORPORATION MAYNARD, MASSACHUSETTS TITLE DEC TAPE CONTROL (TC11) SIZE CODE NUMBER DUA TC11-0-0 DIST. G		CHK'D. <i>R. Cook</i>	DATE <i>12/2/72</i>	ENG. <i>A. B. ...</i>	DATE <i>12/2/72</i>	PROJ. ENGR. <i>G. London</i>	DATE <i>12/2/72</i>	PROOF. <i>K. Call</i>	DATE <i>12/2/72</i>
DRN. <i>G. London</i>	DATE <i>12/2/72</i>	digital EQUIPMENT CORPORATION MAYNARD, MASSACHUSETTS TITLE DEC TAPE CONTROL (TC11) SIZE CODE NUMBER DUA TC11-0-0 DIST. G													
CHK'D. <i>R. Cook</i>	DATE <i>12/2/72</i>														
ENG. <i>A. B. ...</i>	DATE <i>12/2/72</i>														
PROJ. ENGR. <i>G. London</i>	DATE <i>12/2/72</i>														
PROOF. <i>K. Call</i>	DATE <i>12/2/72</i>														
DO NOT SCALE DRAWING		UNLESS OTHERWISE SPECIFIED													
DIMENSION IN INCHES		TOLERANCES													
DECIMALS ± .005		FRACTIONS ± 1/16													
ANGLES ± 0°30'		FINAL SURFACE QUALITY													
REMOVE BURRS AND BREAK SHARP CORNERS		NEXT HIGHER ASSY													
MATERIAL		FINISH													
SCALE		SHEET 2 OF 3													

This drawing and specifications herein are the property of Digital Equipment Corporation and shall not be reproduced or copied in whole or in part as the basis for the manufacture or sale of items without written permission.



NOTE: 854 POWER CONTROL IS NOT REQUIRED FOR CABINET EQUIPPED WITH POWER CONTROL, NOR FOR SYSTEMS WITH ONE OR TWO TU56'S.

REVISIONS	NO.	DATE	BY
CHANGE NO.			
THIS DRAWING WAS			
D-RD-TCII-0-29			

FIRST USED ON OPTION / MODEL

DO NOT SCALE DRAWING	UNLESS OTHERWISE SPECIFIED
TOLERANCES	DECIMALS FRACTIONS ANGLES
± .008	± 1/64 ± 0°30'
FINAL SURFACE QUALITY	
REMOVE BURRS AND BREAK SHARP CORNERS	
MATERIAL	
FINISH	

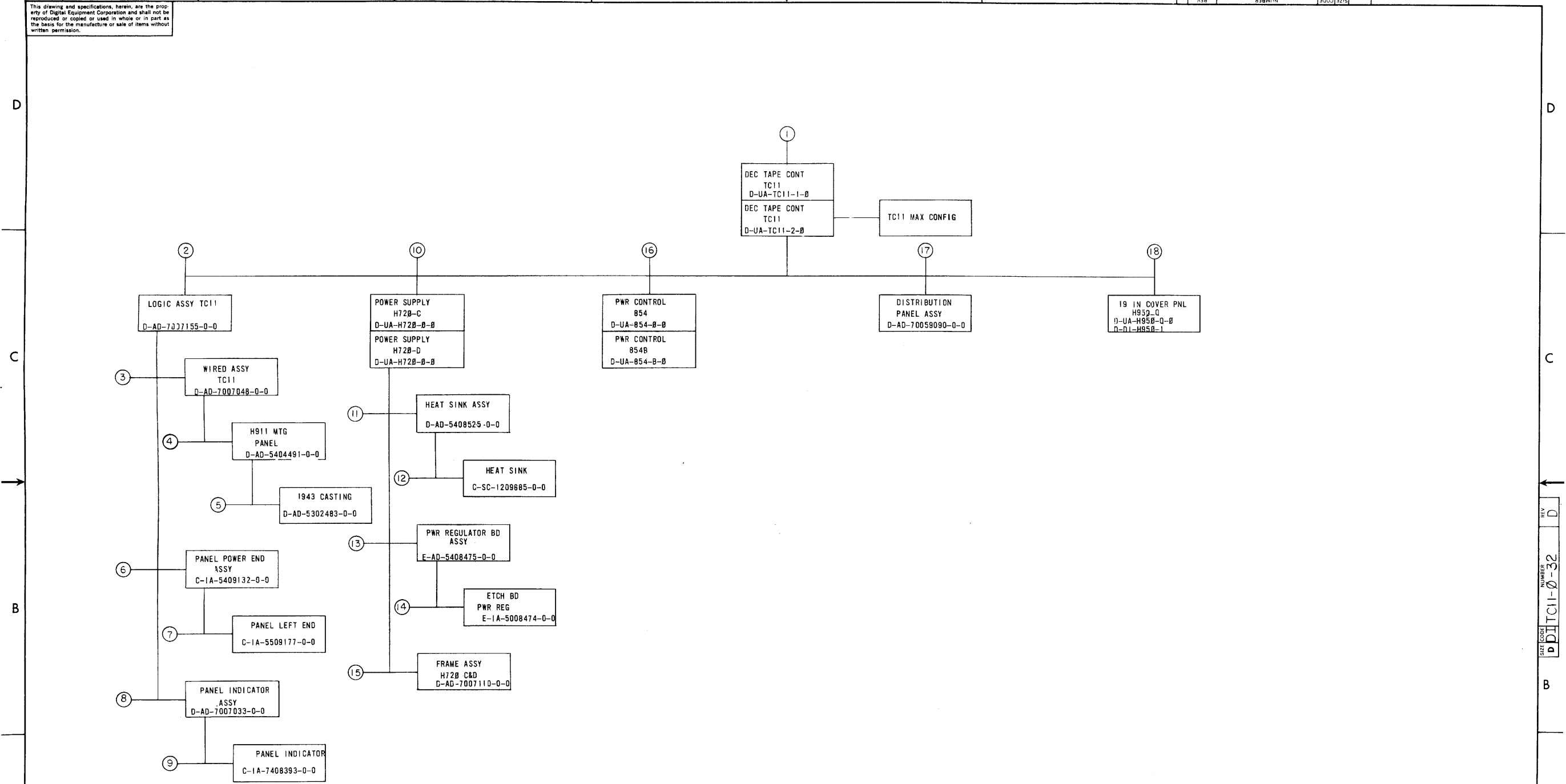
QTY.	DESCRIPTION	PART NO.	ITEM NO.
PARTS LIST			
TITLE			
DEC TAPE CONTROL (TCII)			
NEXT HIGHER ASSY			
SCALE			
SHEET 3 OF 3			
DISTR. C.			

DUAL TCII-0-0

DIGITAL EQUIPMENT CORPORATION MAYNARD, MASSACHUSETTS PARTS LIST				QUANTITY / VARIATION																				
MADE BY R. ROBICHAUD		CHECKED J. FLEMING		SECTION		TC11-1	TC11-2																	
DATE 10-22-70		DATE 10-26-70		1																				
ENG <i>P. Gordon</i>		PROD <i>W. Hall</i>		ISSUED SECT.																				
DATE 10/29/70		DATE 10/30/70		1																				
ITEM NO.	DWG NO. / PART NO.	DESCRIPTION																						
1	D-AD-7007155-0-0	LOGIC ASSY (TC11)		1	1																			
2	9006073-1	SCR PHL HD PAN #10-32 X 1/2 SST		20	20																			
3	9007786	SPEED NUT #C31758-032-27 TINN.		20	20																			
4	9007651	WASH EXT TOOTH #10		20	20																			
5	D-IA-7007109-0-0	POWER HARNESS		1	1																			
6	D-UA-854-Ø-Ø	POWER CONTROL 854 (120V) *		A/R	0																			
7	D-UA-854-B-Ø	POWER CONTROL 854 B (240V) *		0	A/R																			
8	D-UA-H72Ø-C-Ø	POWER SUPPLY H72Ø-C (120V)		1	0																			
9	D-UA-H72Ø-D-Ø	POWER SUPPLY H72Ø-D (240V)		0	1																			
10	D-AD-7005909-0-0	DISTRIBUTION PANEL ASSY		1	1																			
11	D-UA-H95Ø-Q-Ø	19 IN COVER PANEL (10 1/2)		1	1																			
12	D-UA-BC11A-8-Ø	CABLE BC11A		1	1																			
13	D-MAD-1945-19-1	1945 HOLD DOWN BAR		1	1																			
14	C-SC1209856-Ø-Ø	MODULE HOLDER		6	6																			
15	H-850	EXT HANDLE		1	1																			
16	C-PL-7006501-23-0	BASIC CAB ASSY - 19"		1	1																			
17	A-PL-H752-C-Ø	FAN		0	1																			
*	854 IS NOT REQUIRED FOR SYSTEMS WITH 1 OR 2 TU56'S, NOR FOR CABINETS EQUIPPED WITH POWER CONTROLS.																							
TITLE DECTAPE CONTROL (TC11)				ASSY NO. D-UA-TC11-Ø-Ø		SIZE CODE A PL		NUMBER TC11-Ø-Ø				REV. C		ECO NO. TC11-00012										
SHEET 1 OF 1				DIST.																				

This drawing and specifications, herein, are the property of Digital Equipment Corporation and shall not be reproduced or copied or used in whole or in part as the basis for the manufacture or sale of items without written permission.

29-0-1101 IC 2



REV	CHG	NO	DATE	BY	DESCRIPTION
1					
2					
3					
4					
5					
6					
7					
8					

FIRST USED ON OPTION / MODEL
TC11

DO NOT SCALE DRAWING
UNLESS OTHERWISE SPECIFIED
DIMENSION IN INCHES
TOLERANCES
DECIMALS FRACTIONS ANGLES
± .005 ± 1/64 ± 9'30"
FINAL SURFACE QUALITY
REMOVE BURRS AND BREAK SHARP CORNERS

ORN. DATE
CHKD. DATE
ENG. DATE
PROJ. ENG. DATE
PROD. DATE
NEXT HIGHER ASSY
SCALE
SHEET 1 OF 2

PARTS LIST
digital EQUIPMENT CORPORATION
MAYNARD, MASSACHUSETTS
TITLE
DRAWING INDEX LIST (TC11)
SIZE CODE
NUMBER
REV.
DITC11-0-32
D.

REV D
DITC11-0-32

This drawing and specifications herein are the property of Digital Equipment Corporation and shall not be reproduced or copied in whole or in part as the basis for the manufacture or sale of items without written permission.

MECHANICAL					DEPT USAGE					MECHANICAL					DEPT USAGE					ELECTRICAL					DEPT USAGE					ELECTRICAL					DEPT USAGE													
FIND NO.	DESCRIPTION	PART NO.	PROD	CUST	F/C	FIND NO.	DESCRIPTION	PART NO.	PROD	CUST	F/C	FIND NO.	DESCRIPTION	PART NO.	PROD	CUST	F/C	FIND NO.	DESCRIPTION	PART NO.	PROD	CUST	F/C	FIND NO.	DESCRIPTION	PART NO.	PROD	CUST	F/C	FIND NO.	DESCRIPTION	PART NO.	PROD	CUST	F/C													
D	1. DEC TAPE CONTROL DEC TAPE CONTROL DEC TAPE CONTROL (P.L.) POWER HARNESS	D-UA-TC11-1-0 D-UA-TC11-2-0 A-PL-TC11-0-0 D-IA-7007109-0-0				16.	PWR CONTROL ASSY (854) PWR CONTROL ASSY (P.L.) PWR CONTROL ASSY (854.B) PWR CONTROL ASSY (P.L.) CHASSIS PLEXI GLASS SHEILD DECALS 854 PWR CONT DECALS 854-B PWR CONT	D-UA-854-0-0 A-PL-854-0-0 D-UA-854-0-0 A-PL-854-0-0 D-MD-5308148-0-0 D-MD-5308149-0-0 B-DC-5308425-0-0 B-DC-5308426-0-0				1.	DEC TAPE CONTROL DEC TAPE CONTROL DEC TAPE CONTROL MODULE UTILIZATION MODULE UTILIZATION DECTAPE CONTROL CONTROL DECTAPE CONTROL ERRORS DECTAPE CONT TP, UPS, MOTION CONT DECTAPE CONTROL RWB AND LPB MARK TRACK DECODER NPR CONTROL REGISTER CONTROL SLAVE RESP AND MAINT BITS COMMAND REGISTER TUS6 CONNECTIONS UNIBUS DRIVERS AND RECEIVERS DATA REGISTER 1 DATA REGISTER 2 DATA REGISTER 3 OUTPUT GATING 1 OUTPUT GATING 2 ADDR SEL AND INT CONT BUS CONNECTORS BUS ADDRESS REGISTER (TCBA) WORD COUNT REGISTER (TCWC) TC11 CONTROL PANEL DECTAPE TIMING TC11 SLAVE RESPONSE READY AND ERROR SEQUENCE NPR TRANSFER DATI NPR TRANSFER DATO	A-ML-TC11-0 D-UA-TC11-0-0 A-PL-TC11-0-0 D-MU-TC11-0-01 A-PL-TC11-0-01 D-BS-TC11-0-02 D-BS-TC11-0-03 D-BS-TC11-0-04 D-BS-TC11-0-05 D-BS-TC11-0-06 D-BS-TC11-0-07 D-BS-TC11-0-08 D-BS-TC11-0-09 D-BS-TC11-0-10 D-BS-TC11-0-11 D-BS-TC11-0-12 D-BS-TC11-0-13 D-BS-TC11-0-14 D-BS-TC11-0-15 D-BS-TC11-0-16 D-BS-TC11-0-17 D-BS-TC11-0-18 D-BS-TC11-0-19 D-IC-TC11-0-20 D-BS-TC11-0-21 D-BS-TC11-0-22 D-BS-TC11-0-23 D-TD-TC11-0-24 D-TD-TC11-0-25 D-TD-TC11-0-26 D-TD-TC11-0-27 D-TD-TC11-0-28																																		
	2. LOGIC ASSY TC11 LOGIC ASSY (P.L.) PANEL RIGHT END	D-AD-7007155-0-0 A-PL-7007155-0-0 C-MD-5302485-0-0				17.	DISTRIBUTION PANEL ASSY DISTRIBUTION PANEL ASSY (P.L.) PANEL BACK DISTRIBUTION PANEL DISTRIBUTION DECALS DISTRIBUTION PANEL	D-AD-7005909-0-0 A-PL-7005909-0-0 C-MD-7406765-0-0 D-IA-7406764-0-0 A-DC-7406766-0-0				3.	WIRED ASSY WIRED ASSY	D-AD-7007048-0-0 A-PL-7007048-0-0																																		
	3. WIRED ASSY TC11 WIRED ASSY (P.L.) LOGIC FRAME DECALS	D-AD-7037048-0-0 A-PL-7007048-0-0 A-DC-7406371-0-0				18.	19 IN COVER PANEL 19 IN COVER PANEL DRAWING INDEX LIST (H950)	D-UA-H950-0-0 A-PL-H950-0-0 D-DI-H950-0-1				11.	HEAT SINK ASSY HEAT SINK ASSY (P.L.) COIL, TRANSFORMER	D-AD-5408525-0-0 A-PL-5408525-0-0 C-SC-1609762-0-0																																		
	4. H911 MTG PANEL H911 MTG PANEL (P.L.) 288 PIN CONN BLOCK #H803	D-AD-5404491-0-0 A-PL-5404491-0-0 E-SC-1205348-0-0				12.	HEAT SINK HEAT SINK BUSHING	C-SC-1203085-0-0 A-SC-209475-0-0				12.	HEAT SINK HEAT SINK BUSHING	C-SC-1203085-0-0 A-SC-209475-0-0																																		
5. 1943 CASTING 1943 CASTING (P.L.) 1943 FRAME CASTING	D-AD-5302483-0-0 A-PL-5302483-0-0 E-MJ-1202885-0-0				13.	PWR REGULATOR BD. ASSY PWR REGULATOR BD. ASSY (P.L.) HEAT SINK X-Y CORROINATE HOLE LOCATION ASSY/DRILLING HOLE LAYOUT	E-AD-5408475-0-0 A-PL-5408475-0-0 B-MD-5308733-0-0 K-CO-5408475-0-4 AH-5408475-0-5				13.	PWR REGULATOR BD. ASSY PWR REGULATOR BD. ASSY (P.L.) HEAT SINK X-Y CORROINATE HOLE LOCATION ASSY/DRILLING HOLE LAYOUT	E-AD-5408475-0-0 A-PL-5408475-0-0 B-MD-5308733-0-0 K-CO-5408475-0-4 AH-5408475-0-5																																			
6. PANEL, POWER END ASSY	C-IA-5409132-0-0				14.	ETCH BOARD PWR REG. ASSY/DRILLING HOLE LAYOUT PRINTED CIRCUIT LAYOUT	E-IA-5008474-0-0 AH-5408475-0-5 PC-5008474				14.	ETCH BOARD PWR REG. ASSY/DRILLING HOLE LAYOUT PRINTED CIRCUIT LAYOUT	E-IA-5008474-0-0 AH-5408475-0-5 PC-5008474																																			
7. PANEL, LEFT END SILK SCREEN	C-IA-5509177-0-0 A-SS-5509177-0-1				15.	FRAME ASSY H720 C&D FRAME ASSY H720 C&D (P.L.) CHASSIS PWR SUPPLY SCREEN, FAN	D-AD-7007110-0-0 A-PL-7007110-0-0 D-IA-7408392-0-0 C-MD-7404881-0-0				15.	FRAME ASSY H720 C&D FRAME ASSY H720 C&D (P.L.) CHASSIS PWR SUPPLY SCREEN, FAN	D-AD-7007110-0-0 A-PL-7007110-0-0 D-IA-7408392-0-0 C-MD-7404881-0-0																																			
8. PANEL INDICATOR ASSY PANEL INDICATOR (P.L.)	D-AD-7007033-0-0 A-PL-7007033-0-0																																															
9. PANEL INDICATOR SILK SCREEN	C-IA-7408393-0-0 B-SS-7408393-0-1																																															
10. PWR SUPPLY H720-C PWR SUPPLY H720-D PWR SUPPLY (P.L.) PWR SUPPLY CHASSIS PWR SUPPLY COVER BRKT SUPPORT CAPACITOR BRKT PWR SUPPLY DECALS PWR SUPPLY DECALS (120V) PWR SUPPLY DECALS (240V)	D-UA-H720-C-0 D-UA-H720-D-0 A-PL-H720-0-0 E-IA-5308519-0-0 C-MD-5308518-0-0 C-MD-5303521-0-0 D-MD-5308520-0-0 B-DC-5308524-0-0 A-DC-5308771-0-0 A-DC-5308772-0-0																																															

REV
CHANG NO

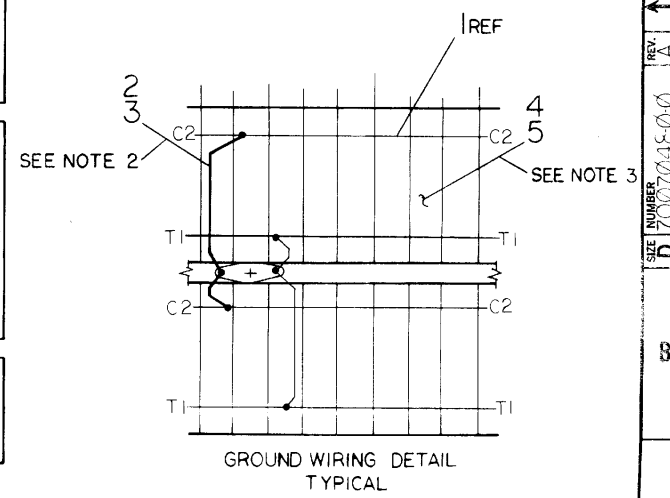
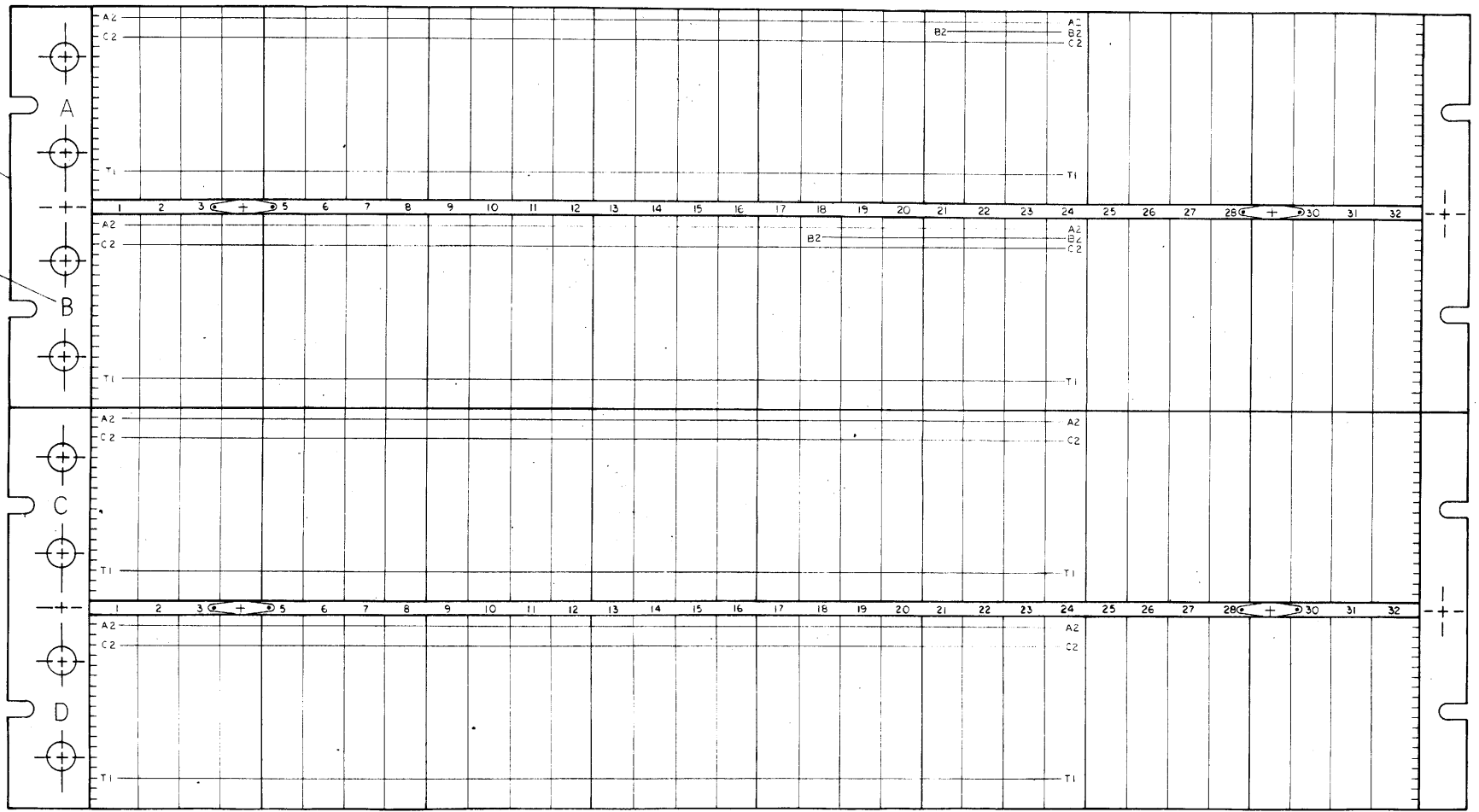
FIRST USED ON OPTION/MODEL
TC11

DRN	DATE	Digital Equipment Corporation
CHKD	DATE	MAYNARD, MASSACHUSETTS
ENG.	DATE	TITLE
PROJ. ENG.	DATE	DRAWING INDEX LIST (TC11)
PROD.	DATE	SIZE CODE NUMBER REV
NEXT HIGHER ASSY	H-ML-TC11-0	D DI TC11-0-32 D
SCALE	1/1	DIST
SHEET	1 OF 2	

This drawing and specifications, herein, are the property of Digital Equipment Corporation and shall not be reproduced or copied or used in whole or in part as the basis for the manufacture or sale of items without written permission.

WIRE TABLE				
ITEM NO	AWG	COLOR	FRM CONNECTION	TO CONNECTION
5	24	BLUE	A21B2	B21B2
5	24	BLUE	B24B2	C24V2
8	24	RED	A01A2	B01A2
8	24	RED	C01A2	D01A2
8	24	RED	B01A2	C01A2
8	24	RED	A A2	B24A2
8	24	RED	C24A2	D24A2
8	24	RED	B24A2	C24A2

- NOTES:
- CONNECTIONS ON ITEM NUMBER 1#2 TO BE LOCATED AND SOLDERED AT MINIMUM PRACTICAL HEIGHT ABOVE BLOCKS.
 - ALL CONNECTOR BLOCKS TO BE GROUNDED TO GROUND LUGS AS SHOWN, 4 PLACES
 - USE YELLOW WIRE (ITEM#4) FOR MACHINE WRAPPED AND BLUE WIRE (ITEM#5) FOR HAND WRAPPED WIRING.



REV.	DATE	BY	CHK
A			

REVISIONS
 CHANGE NO. 1
 TCI:CC002
 JANSON
 J. E. J.

FIRST USED ON OPTION/MODEL	QTY.	DESCRIPTION	PART NO.	ITEM NO.
PDP-11				
PARTS LIST				
DO NOT SCALE DRAWING	DRN	DATE	digital EQUIPMENT CORPORATION MAYNARD, MASSACHUSETTS	
UNLESS OTHERWISE SPECIFIED DIMENSION IN INCHES	CHK'D.	DATE	TITLE	
TOLERANCES	ENG.	DATE	WIRED ASS'Y	
DECIMALS FRACTIONS ANGLES	PROJ. ENG.	DATE	TC11	
± .005 ± .001 ± .030	PROD.	DATE	SIZE CODE NUMBER REV.	
FINAL SURFACE QUALITY / REMOVE BURRS AND BREAK SHARP CORNERS			D AD 70074-000 A	
MATERIAL	NEXT HIGHER ASSY		SCALE NONE	
			SHEET OF	

REV. A
 NUMBER 70074-000
 SIZE D

DIGITAL EQUIPMENT CORPORATION
MAYNARD, MASSACHUSETTS
PARTS LIST

QUANTITY / VARIATION

MADE BY KAREN KRYSIAK	CHECKED M. MACKENZIE	SECTION
DATE 9-9-70	DATE 10-29-70	1
ENG <i>[Signature]</i>	PROD <i>D. Call</i>	ISSUED SECT.
DATE 11/3/70	DATE 11/3/70	1

ITEM NO.	DWG NO. / PART NO.	DESCRIPTION											
1	1205541	BUS STRIP	A/R										
2	9107560-01	22 AWG BUS WIRE	A/R										
3	9107265-09	#22 TUBING, TEFLON, WHITE	A/R										
4	9105740-44	30 AWG SOLID TEF INS. WIRE, YELLOW	A/R										
5	9107470-66	24 AWG SOLID TEF INS. WIRE, BLUE	A/R										
6	A-DC-7406371-0-0	LOGIC FRAME DECALS	A/R										
7	D-AD-5404491-0-0	H911 MTG PANEL	2										
8	9107470-22	24 AWG SOLID TEF INS. WIRE, RED	A/R										
REF	K-WL-TC11-0-30	WIRE LIST	1										

TITLE	ASSY NO.	SIZE	CODE	NUMBER	REV.	ECO NO.
WIRED ASSY	D-AD-7007048-0-0	A	PL	7007048-0-0	A	TC11-00002
	SHEET 1 OF 1	DIST.				

8

7

6

5

4

3

1

10-0-1101

This drawing and specifications, herein, are the property of Digital Equipment Corporation and shall not be reproduced or copied or used in whole or in part as the basis for the manufacture or sale of items without written permission.

D	USAGE	BC11A	BC11A/M930	M733	M784	M784	M795	M783	M149	M302	M236	M239	M113	M205	M121	M205	M121	M161	M611	M908	G888	W832	
	UNIBUS	2	2	2	2	2	2	2	2	2	2	2	2	2	2	2	2	2	2	2	2	2	2
	CABLE																						
	CABLE/TERM																						

C	USAGE	UNIBUS	UNIBUS	M105	M782	M796	M783	M149	M307	M205	M112	M113	M205	M121	M205	M121	G878	M502	G888	G888	G888
	UNIBUS	2	2	2	2	2	2	2	2	2	2	2	2	2	2	2	2	2	2	2	2
	ADDRESS SELECTOR																				
	INTERRUPT CONTROL																				

A	USAGE	G888	M850																			
	MARK TRACK R/W AMP																					

B	USAGE	G888	M850																			
	DATA TRACK #0 R/W AMP																					
	INDICATOR DRIVERS																					

SIZE CODE NUMBER TCI1-0-01

REVISIONS	CHANGE NO.	REV
1	TC11-00002	A
2	JANSON	B
3	JANSON	C
4	JANSON	D
5	JANSON	E

FIRST USED ON OPTION/MODEL PDP-11

DO NOT SCALE DRAWING	
UNLESS OTHERWISE SPECIFIED DIMENSION IN INCHES	CHKD. DATE
TOLERANCES	ENG. DATE
DECIMALS FRACTIONS ANGLES	DATE
= .005 = 1/64 = 0°30'	DATE
FINAL SURFACE QUALITY	PROJ.ENG. DATE
REMOVE BURRS AND BREAK SHARP CORNERS	DATE
MATERIAL	PROD. DATE
NEXT HIGHER ASSY	
A - ML-TCI1-0	
SCALE	
SHEET 1 OF 2	

digital EQUIPMENT CORPORATION
 MAINE, MASSACHUSETTS

TITLE
MODULE UTILIZATION

SIZE CODE NUMBER REV
DMU TCI1-0-01 C

8

7

6

5

4

3

2

1

This drawing and specifications, herein, are the property of Digital Equipment Corporation and shall not be reproduced or copied or used in whole or in part as the basis for the manufacture or sale of items without written permission.

	1	2	3	4	5	6	7	8	9	10	11	12	13	14	15	16	17	18	19	20	21	22
	M307		6736	M111	M113	M115	M115	M627	M611	M161	M127	M286	M287	M121	M113	M228	M115	M117	M115	M232		
USAGE	2	2	2	2	2	2	2	2	2	2	2	2	2	2	2	2	2	2	2	2	2	2

	23	24	25	26	27	28	29	30	31	32	33	34	35	36	37	38	39	40	41	42	43	44
	M117	M884																				
USAGE	2	2	2	2	2	2	2	2	2	2	2	2	2	2	2	2	2	2	2	2	2	2

	23	24	25	26	27	28	29	30	31	32	33	34	35	36	37	38	39	40	41	42	43	44
	M886																					
USAGE	2	2	2	2	2	2	2	2	2	2	2	2	2	2	2	2	2	2	2	2	2	2

REV.	
CHG	
REV.	
CHG	

FIRST USED ON OPTION/MODEL
PDP-11

UNLESS OTHERWISE SPECIFIED	DIMENSION IN INCHES	
TOLERANCES	DECIMALS FRACTIONS ANGLES	
± .005 ± 1/64 ± 0'30"	FINAL SURFACE QUALITY	
REMOVE BURRS AND BREAK SHARP CORNERS		
MATERIAL	NEXT HIGHER ASSY	
FINISH	SCALE	
	SHEET 2 OF 2	

DRN. H.C.W. 11/3/70	DATE
CHK'D. H.C.W. 11/3/70	DATE
ENG. H.C.W. 11/3/70	DATE
PROD. H.C.W. 11/3/70	DATE

digital EQUIPMENT CORPORATION
MAINE, MASSACHUSETTS

TITLE
MODULE UTILIZATION

SIZE CODE NUMBER REV.
DMU TC11-0-01 E

REV. E
SIZE CODE NUMBER DMU TC11-0-01

**DIGITAL EQUIPMENT CORPORATION
MAYNARD, MASSACHUSETTS**

PARTS LIST

MADE BY KAREN KRYSIAK	CHECKED M. MACKENZIE	SECTION 1
DATE 9-17-70	DATE 10-19-70	ISSUED SECT. 1
ENG <i>K.P. Gordon</i>	PROD <i>Q Call</i>	ISSUED SECT. 1
DATE 11/3/70	DATE 11/3/70	

ITEM NO.	DWG NO. / PART NO.	DESCRIPTION	QUANTITY / VARIATION
	G736	JUMPER MODULE	1
	G879	TRANSPORT DETECTOR	1
	G888	MANCHESTER READER/WRITER	5
	M050	50MA INDICATOR DRIVER	1
	M105	ADDRESS SELECTOR MODULE (REV "C"beyond)	1
	M111	INVERTER	3
	M112	NOR GATE	3
	M113	TEN 2-INPUT NAND GATES	8
	M115	EIGHT 3-INPUT NAND GATES	5
	M117	SIX 4-INPUT NAND GATES	3
	M119	THREE 8-INPUT NAND GATES	1
	M121	AND/NOR GATE	5
	M127	2-2-2-3 AND/NOR GATE	1
	M149	9 x 2 NAND WIRED OR MATRIX	2
	M161	BINARY TO OCTAL/DECIMAL DECODER	2
	M202	J-K FLIP-FLOP	1
	M203	8 R/S FLIP-FLOP	1
	M205	5 "D" FLIP-FLOP	6
	M206	GENERAL PURPOSE FLIP-FLOP	2
	M207	GENERAL PURPOSE FLIP-FLOP	1
	M228	MARK TRACK DECODER	1
	M239	THREE 4-BIT COUNTER/REGISTER	1

TITLE MODULE UTILIZATION	ASSY NO. D-MU-TC11-0-01	SIZE CODE A PL	NUMBER TC11-0-01	REV. E	ECO NO. TC11-0001
	SHEET 1 OF 2	DIST.			

**DIGITAL EQUIPMENT CORPORATION
MAYNARD, MASSACHUSETTS**

PARTS LIST

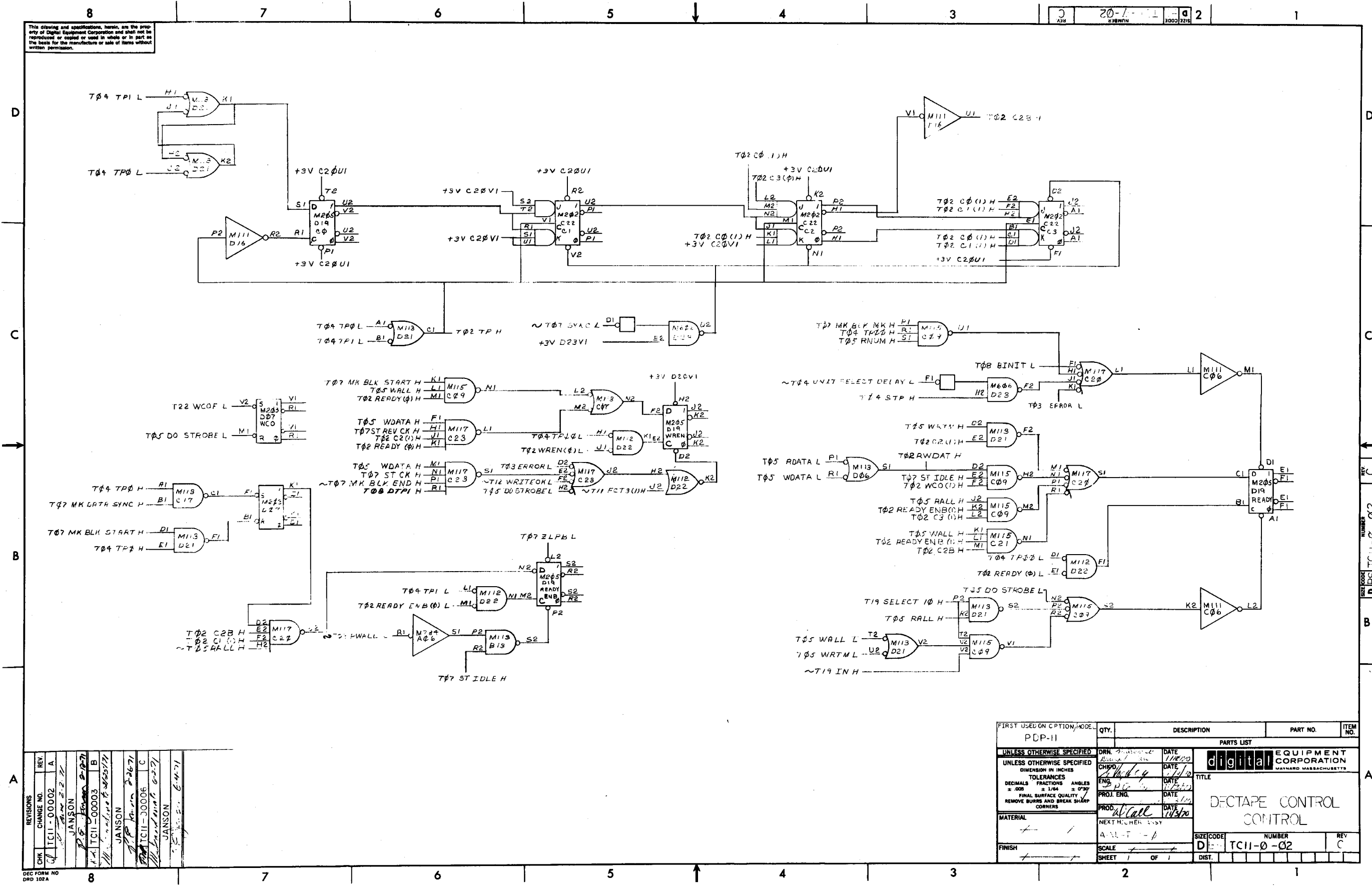
MADE BY KAREN KRYSIAK	CHECKED M. MACKENZIE	SECTION 1
DATE 9-17-70	DATE 10-19-70	ISSUED SECT. 1
ENG <i>K.P. Gordon</i>	PROD <i>Q Call</i>	ISSUED SECT. 1
DATE 11/3/70	DATE 11/3/70	

ITEM NO.	DWG NO. / PART NO.	DESCRIPTION	QUANTITY / VARIATION
	M302	DUAL DELAY MULTIVIBRATOR	2
	M307	INTERGRATING ONE SHOT	4
	M502	NEGATIVE INPUT CONVERTER	1
	M602	PULSE AMPLIFIER	1
	M606	PULSE GENERATOR	1
	M611	HIGH - SPEED POWER INVERTER	2
	M627	NAND POWER AMPLIFIER	1
	M796	UNIBUS MASTER CONTROL	1
	M798	UNIBUS DRIVER	1
	M7821	INTERRUPT CONTROL MODULE	1
	M783	UNIBUS TRANSMITTER MODULE	2
	M784	UNIBUS RECEIVER MODULE	2
	M795	WC & BA MODULE	1
	M141	AND/NOR GATES	1
	5408780	PRIORITY JUMPER LEVEL # 6	1

TITLE MODULE UTILIZATION	ASSY NO. D-MU-TC11-0-01	SIZE CODE A PL	NUMBER TC11-0-01	REV. E	ECO NO.
	SHEET 2 OF 2	DIST.			

This drawing and specifications, herein, are the property of Digital Equipment Corporation and shall not be reproduced or copied or used in whole or in part as the basis for the manufacture or sale of items without written permission.

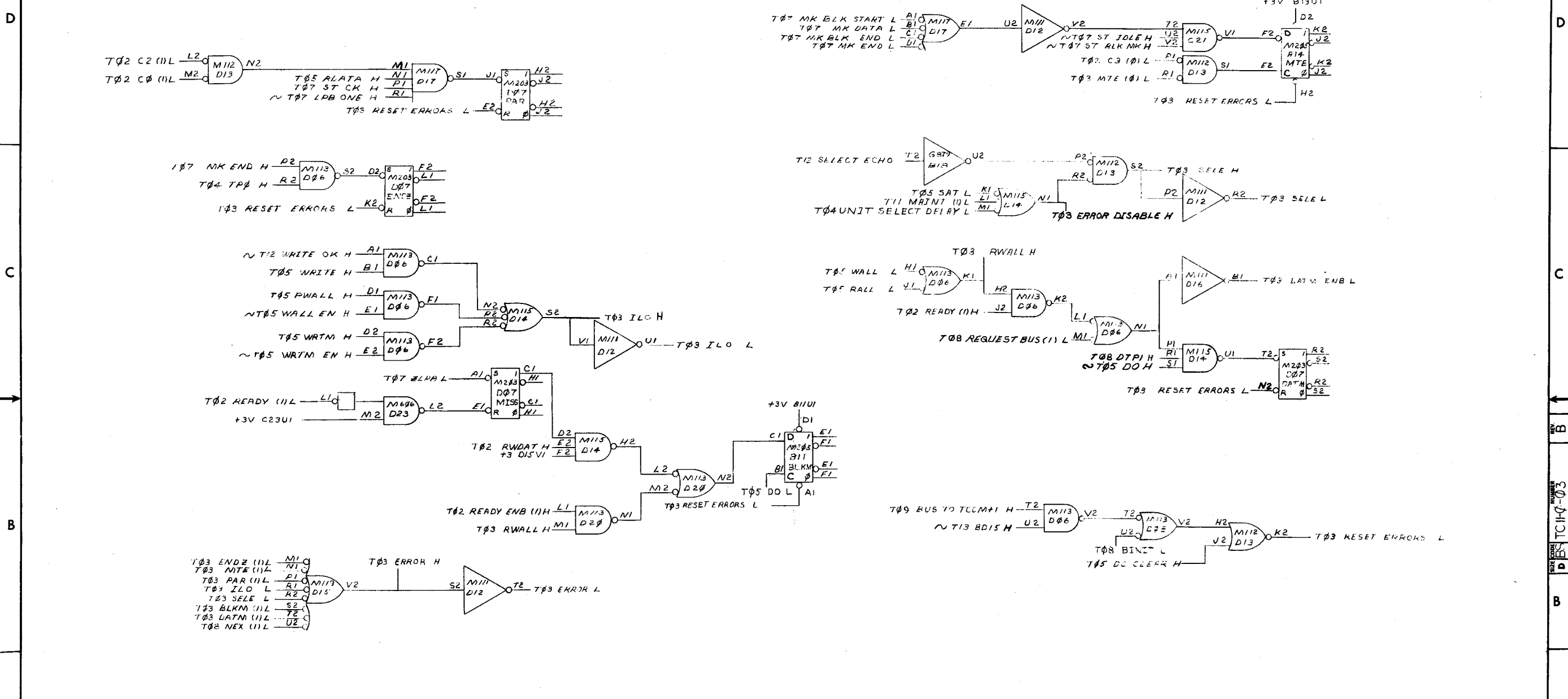
20-1-1-1 1 2



REV.	CHG.	NO.	DATE	BY	APP.
1	A	0002	1/1/70	JANSON	
2	B	0003	2/1/70	JANSON	
3	C	0006	2/26/70	JANSON	
4	D	0007	3/10/70	JANSON	

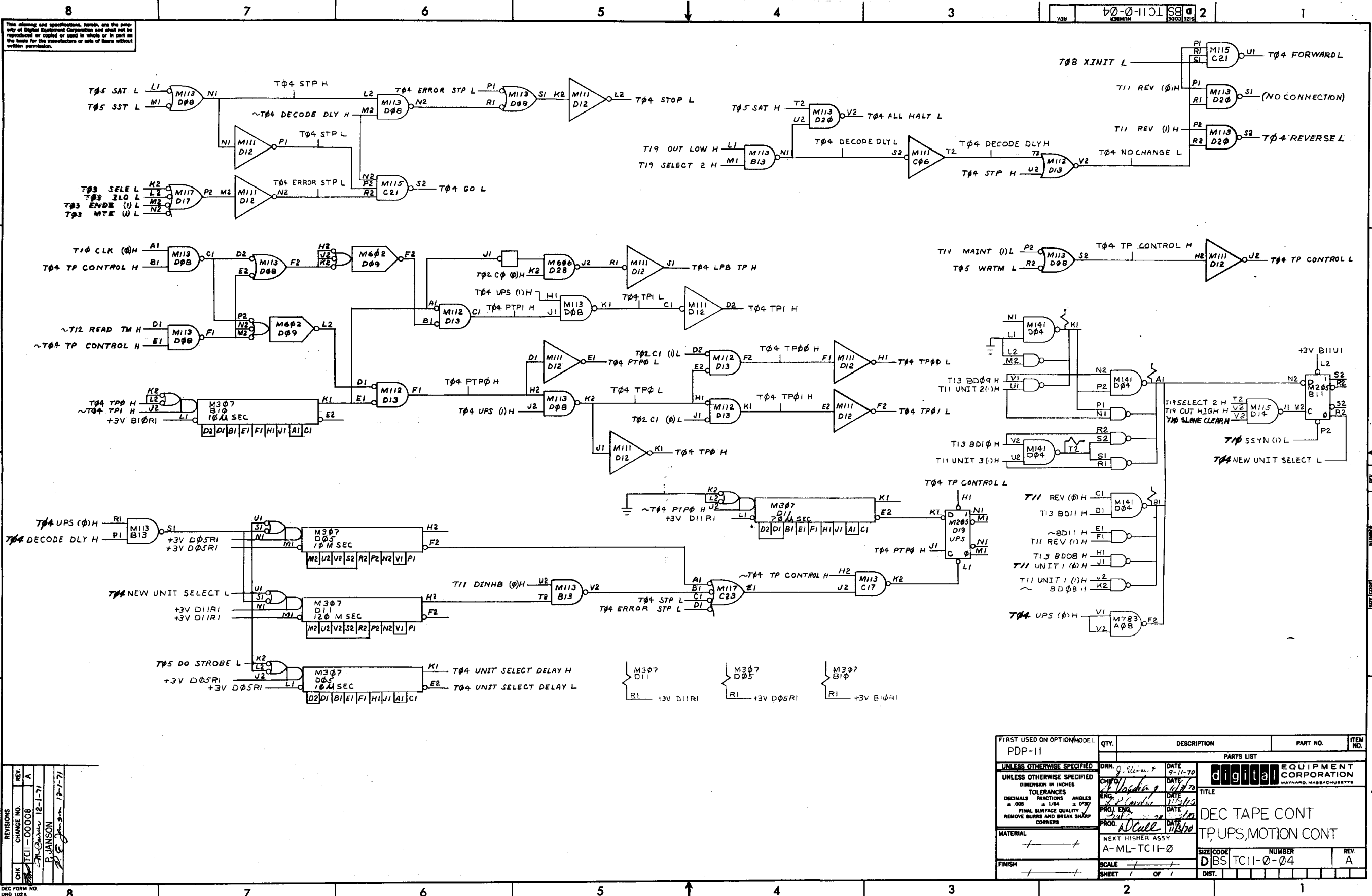
FIRST USED ON OPTION/MODEL	QTY.	DESCRIPTION	PART NO.	ITEM NO.
PDP-11				
PARTS LIST				
UNLESS OTHERWISE SPECIFIED	DRN	DATE	digital EQUIPMENT CORPORATION	
UNLESS OTHERWISE SPECIFIED	CHOP	DATE	MAYNARD MASSACHUSETTS	
DIMENSION IN INCHES	ENG	DATE	TITLE	
TOLERANCES	PROJ. ENG.	DATE	DECTAPE CONTROL CONTROL	
DECIMALS FRACTIONS ANGLES	PROD.	DATE	CONTROL	
± .008 ± 1/64 ± 0°30'				
FINAL SURFACE QUALITY				
REMOVE BURRS AND BREAK SHARP CORNERS				
MATERIAL	NEXT HIGHERassy			
FINISH				
SCALE				
SHEET 1 OF 1				

This drawing and specifications, herein, are the property of Digital Equipment Corporation and shall not be reproduced or copied or used in whole or in part as the basis for the manufacture or sale of items without written permission.



REV.	CHANGE NO.	DATE	BY	CHKD.
1	TC11-0002	11-2-71	JANSON	
2	TC11-0003	11-12-71	JANSON	
3	TC11-0003	11-26-71	JANSON	

FIRST USED ON	QTY.	DESCRIPTION	PART NO.	ITEM NO.
PDP-11				
PARTS LIST				
UNLESS OTHERWISE SPECIFIED				
DIMENSION IN INCHES				
TOLERANCES				
DECIMALS FRACTIONS ANGLES				
± .005 ± 1/64 ± 0°30'				
FINAL SURFACE QUALITY				
REMOVE BURRS AND BREAK SHARP CORNERS				
MATERIAL				
NEXT HIGHER ASSY				
FINISH				
SCALE				
SHEET 1 OF 1				
TITLE				
LECTURE CONTROL ERRORS				
SIZE CODE				
NUMBER				
REV.				
B				



This drawing and specifications, herein, are the property of Digital Equipment Corporation and shall not be reproduced or copied or used in whole or in part as the basis for the manufacture or sale of items without written permission.

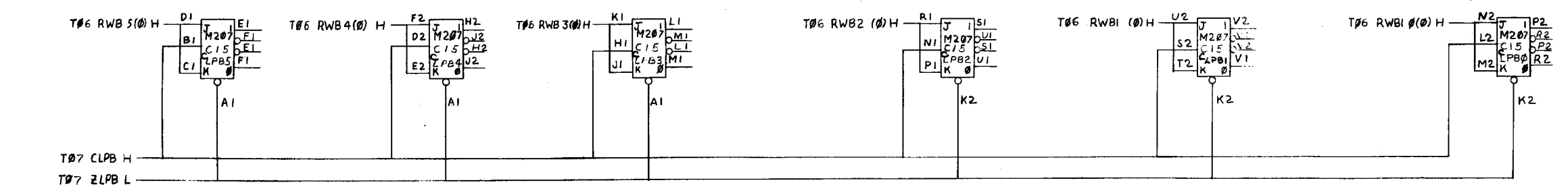
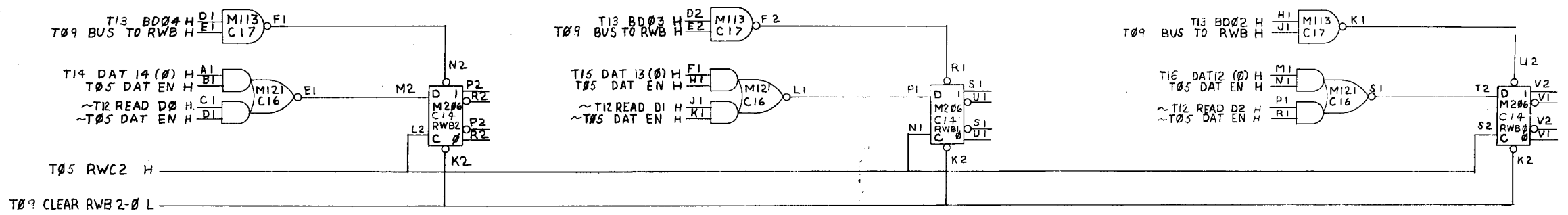
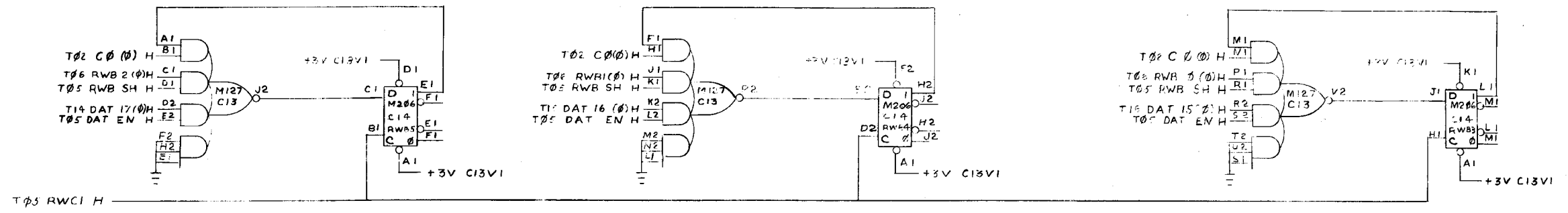
TC11-0-04

REV.	NO.	DATE	BY	CHKD.
A	00008	12-1-71	R. JANSON	

FIRST USED ON OPTION/MODEL	QTY.	DESCRIPTION	PART NO.	ITEM NO.
PDP-11				
PARTS LIST				
digital EQUIPMENT CORPORATION				
MAYFORD, MASSACHUSETTS				
TITLE				
DEC TAPE CONT				
TP, UPS, MOTION CONT				
NEXT HIGHER ASSY				
A-ML-TC11-0				
SCALE				
SHEET 1 OF 1				
SIZE CODE				
D BS TC11-0-04				
NUMBER				
REV. A				

This drawing and specifications, herein, are the property of Digital Equipment Corporation and shall not be reproduced or copied in whole or in part as the basis for the manufacture or sale of items without written permission.

90-01101 S3 2

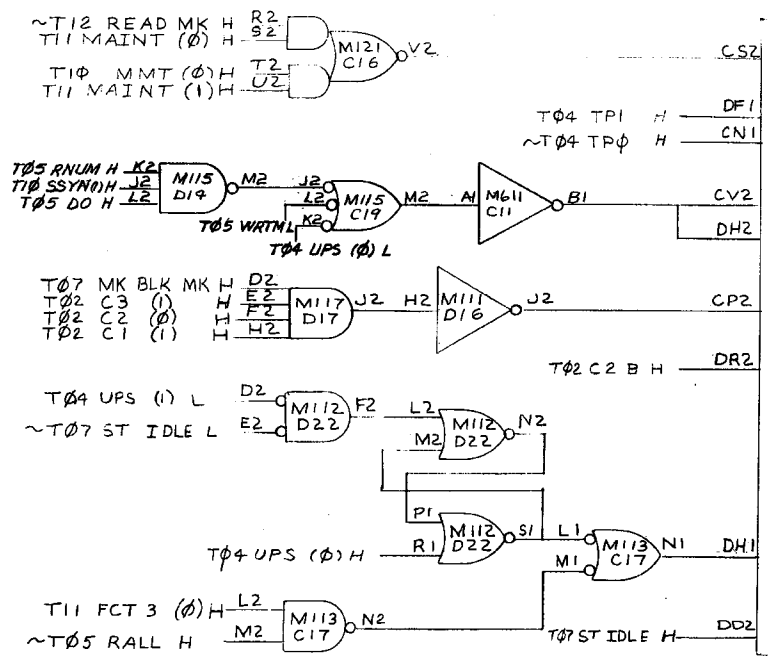


REV.	NO.	DATE
A	1	2-2-77
REVISIONS CHANGE NO. 0002 JANSON 2-2-77		

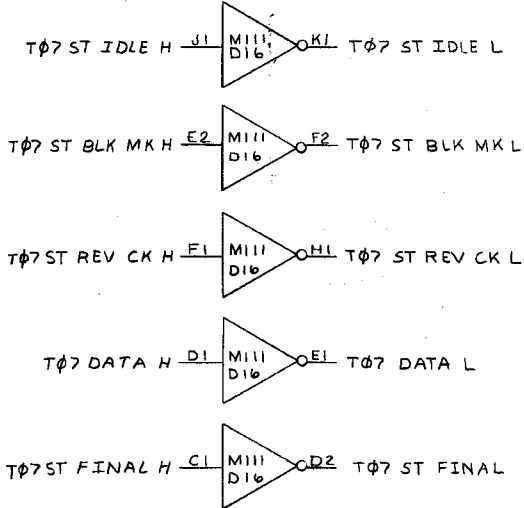
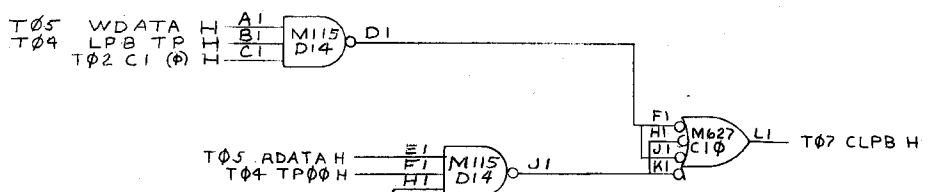
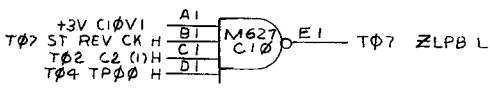
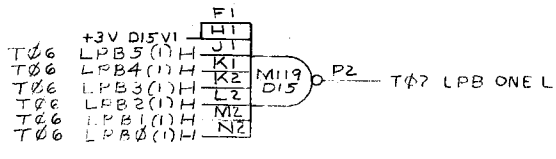
FIRST USED ON OPTION/CELL PDF - 11	QTY.	DESCRIPTION	PART NO.	ITEM NO.
PARTS LIST				
UNLESS OTHERWISE SPECIFIED	DRN	DATE	digital EQUIPMENT CORPORATION MAYNARD, MASSACHUSETTS	
UNLESS OTHERWISE SPECIFIED	CHKD	DATE	TITLE	
DIMENSION IN INCHES	ENG	DATE	RWB AND LPB	
TOLERANCES	PROJ. ENG.	DATE	SIZE/CODE	
DECIMALS FRACTIONS ANGLES	PROD.	DATE	NUMBER	
= .005 = 1/64 = 0°30'	NEXT HIGHER ASSY		REV.	
FINAL SURFACE QUALITY	A-ML-IC 11-0		A	
REMOVE BURRS AND BREAK SHARP CORNERS	SCALE		DIST.	
MATERIAL	SHEET	OF		
FINISH				

DEC FORM NO. DRG 102A

This drawing and specifications herein are the property of Digital Equipment Corporation and shall not be reproduced or copied or used in whole or in part as the basis for the manufacture or sale of items without written permission.



- M228
CD18
MARK TRACK
DECODER
- CN2 T07 ST IDLE H
 - CR2 T07 ST BLK MK H
 - DS1 T07 ST REV CK H
 - DK2 T07 DATA H
 - DL2 T07 ST FINAL H
 - DR1 T07 ST CK H
 - DN2 T07 SYNC H
 - DM2 T07 SYNC L
 - CE2 T07 MK BLK MK H
 - CD2 T07 MK BLK MK L
 - CH1 T07 MK DATA SYNC H
 - CJ1 T07 MK DATA SYNC L
 - CJ2 T07 MK BLK START H
 - CF1 T07 MK BLK START L
 - DP2 T07 MK DATA H
 - CU2 T07 MK DATA L
 - DV1 T07 MK BLK END H
 - DV2 T07 MK BLK END L
 - CF2 T07 MK END H
 - CH2 T07 MK END L
 - DS2 T07 MK BLK SYNC H
 - DT2 T07 MK BLK SYNC L
 - CM1 T07 SH ST H
 - DC1



M119
D15
VI +3VDI5VI

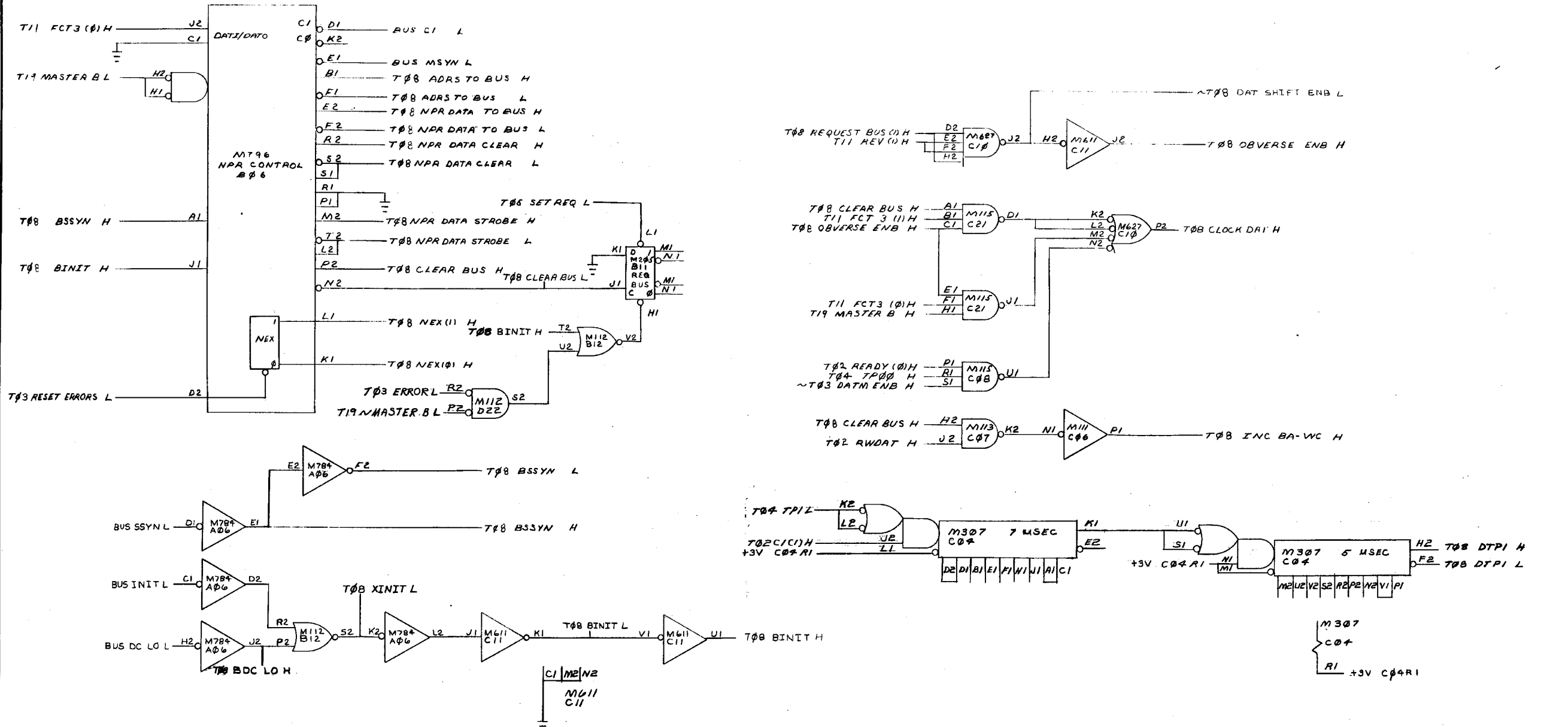
M627
C10
VI +3VC10VI

REV.	CHANGE NO.	DATE
A	100011	11/27/72
JANSON		

FIRST USED ON OPTION MODEL PDP 11	QTY.	DESCRIPTION	PART NO.	ITEM NO.
PARTS LIST				
UNLESS OTHERWISE SPECIFIED				
UNLESS OTHERWISE SPECIFIED				
DIMENSION IN INCHES				
TOLERANCES				
DECIMALS	FRACTIONS	ANGLES	DATE	
± .005	± 1/64	± 0°30'	11/27/72	
FINAL SURFACE QUALITY				
REMOVE BURRS AND BREAK SHARP CORNERS				
MATERIAL				
FINISH				
NEXT HIGHEST ACCESSIBLY				
A-ML-TC11-07				
SCALE		SIZE CODE	NUMBER	REV
1 OF 1		DBS	TC11-0-07	A
SHEET				

REV. A
TC11-0-07
DBS

This drawing and specifications, herein, are the property of Digital Equipment Corporation and shall not be reproduced or copied or used in whole or in part as the basis for the manufacture or sale of items without written permission.

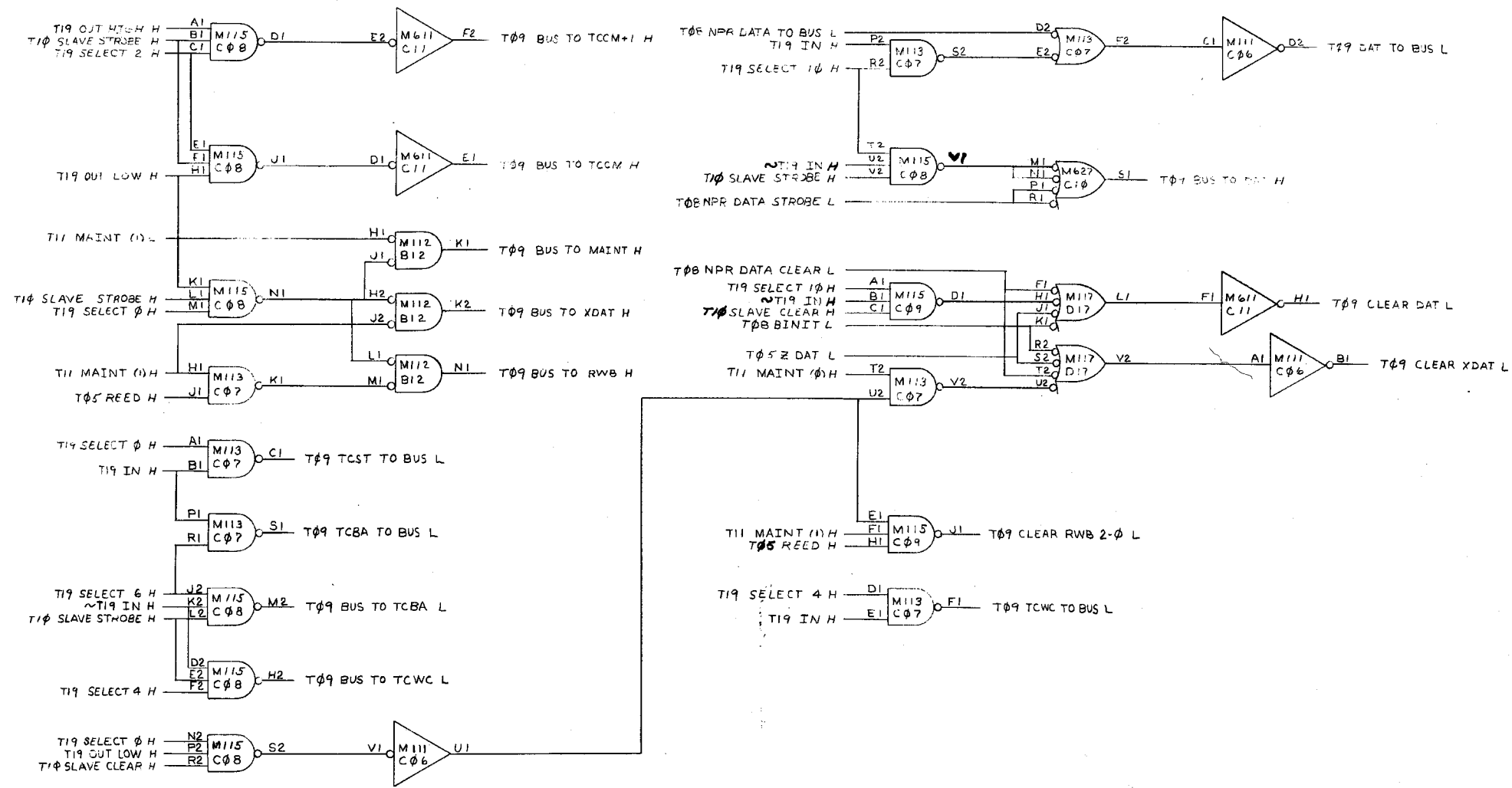


REV.	CHANGE NO.	DATE	BY	CHK
A	00003	12-1-71	JANSON	
B	00006	2-26-71	JANSON	
C	00008	12-1-71	JANSON	
D	00010	12-1-71	JANSON	

FIRST USED ON OPTION/ MODEL	QTY.	DESCRIPTION	PART NO.	ITEM NO.
PDR11				
UNLESS OTHERWISE SPECIFIED				
DIMENSION IN INCHES				
TOLERANCES				
DECIMALS FRACTIONS ANGLES				
= .015 ± 1/64 ± 90°				
FINAL SURFACE QUALITY				
REMOVE BURRS AND BREAK SHARP CORNERS				
MATERIAL	NEXT HIGHER ASSY		SIZE CODE	NUMBER
FINISH	A-ML-TC110		DBS	TC110-08
	SHEET	OF	DIST.	REV. C

DEC FORM NO 080 102A
 DBS TC110-08
 REV. C

This drawing and specifications, herein, are the property of Digital Equipment Corporation and shall not be reproduced or copied or used in whole or in part as the basis for the manufacture or sale of items without written permission.



REV	
CHG	
CHK	

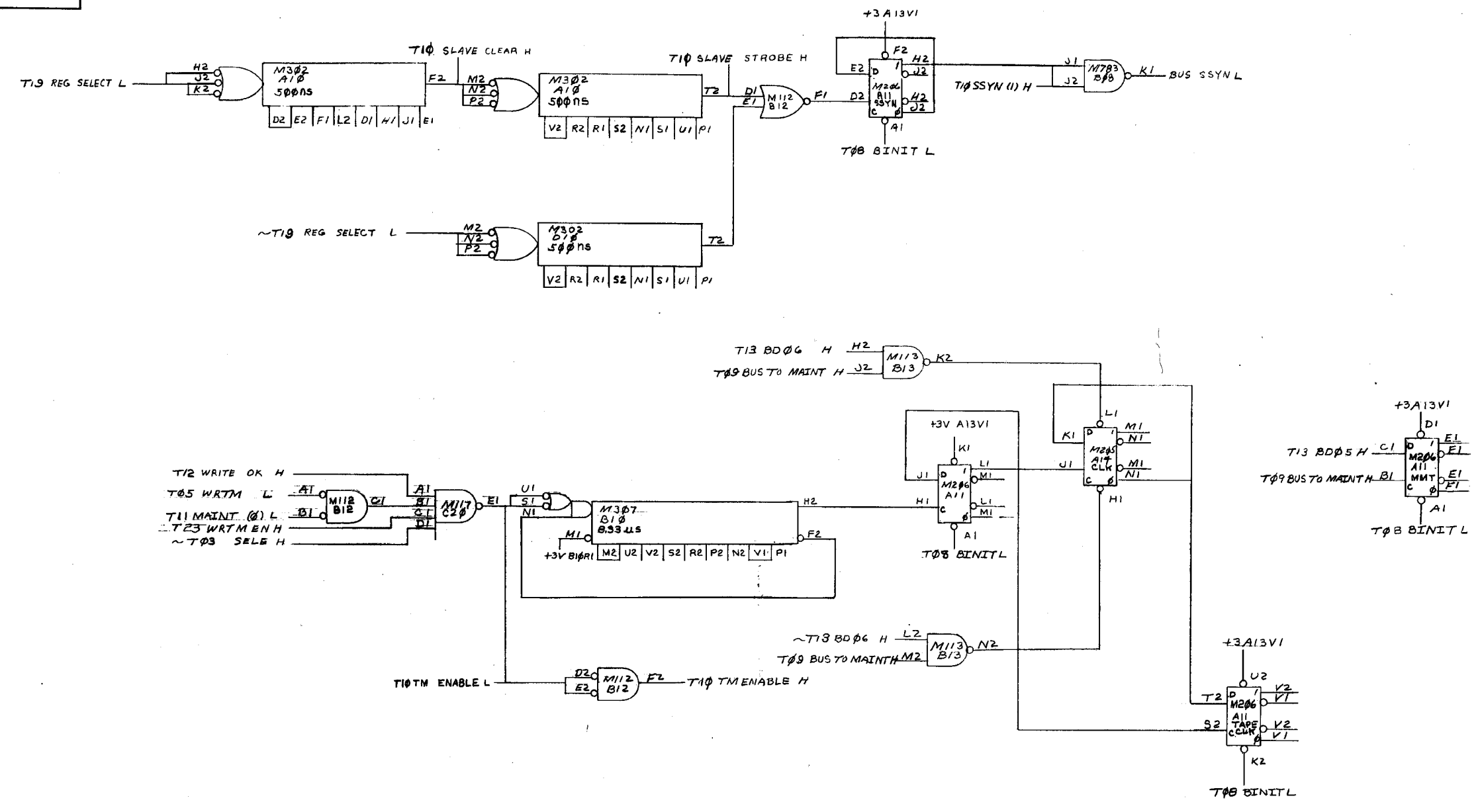
DEC FORM NO. DRD 102A

FIRST USED ON OPTION/MODEL PDP-11	QTY.	DESCRIPTION	PART NO.	ITEM NO.
PARTS LIST				
UNLESS OTHERWISE SPECIFIED	DRN.	DATE	digital EQUIPMENT CORPORATION MAYNARD, MASSACHUSETTS	
UNLESS OTHERWISE SPECIFIED	CHFD.	DATE	TITLE	
TOLERANCES	ENG.	DATE	REGISTER CONTROL	
DECIMALS FRACTIONS ANGLES	PROJ. ENG.	DATE	SIZE CODE NUMBER REV.	
± .005 ± .002 ± .001	PROD.	DATE	D BS TC11-0-09	
FINAL SURFACE QUALITY			SCALE	
REMOVE BURRS AND BREAK SHARP CORNERS			SHEET OF	
MATERIAL	NEXT HIGHER ASSY		DST.	
FINISH	A-ML-TC11-0			

REV. NO. TC11-0-09

This drawing and specifications, herein, are the property of Digital Equipment Corporation and shall not be reproduced, or copied or used in whole or in part as the basis for the manufacture or sale of items without written permission.

REV. 2
 NUMBER DBS TC11-0-10

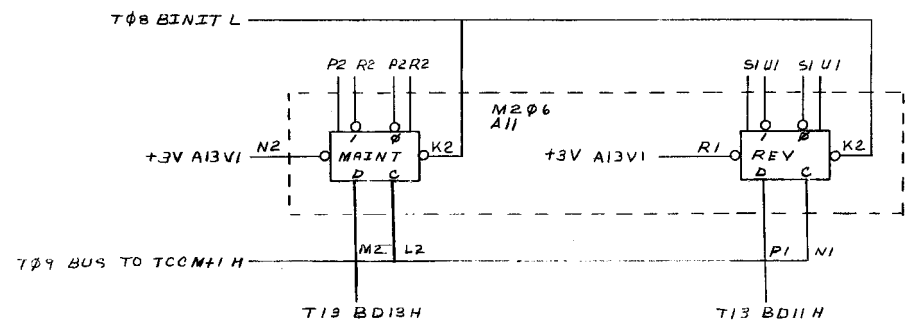
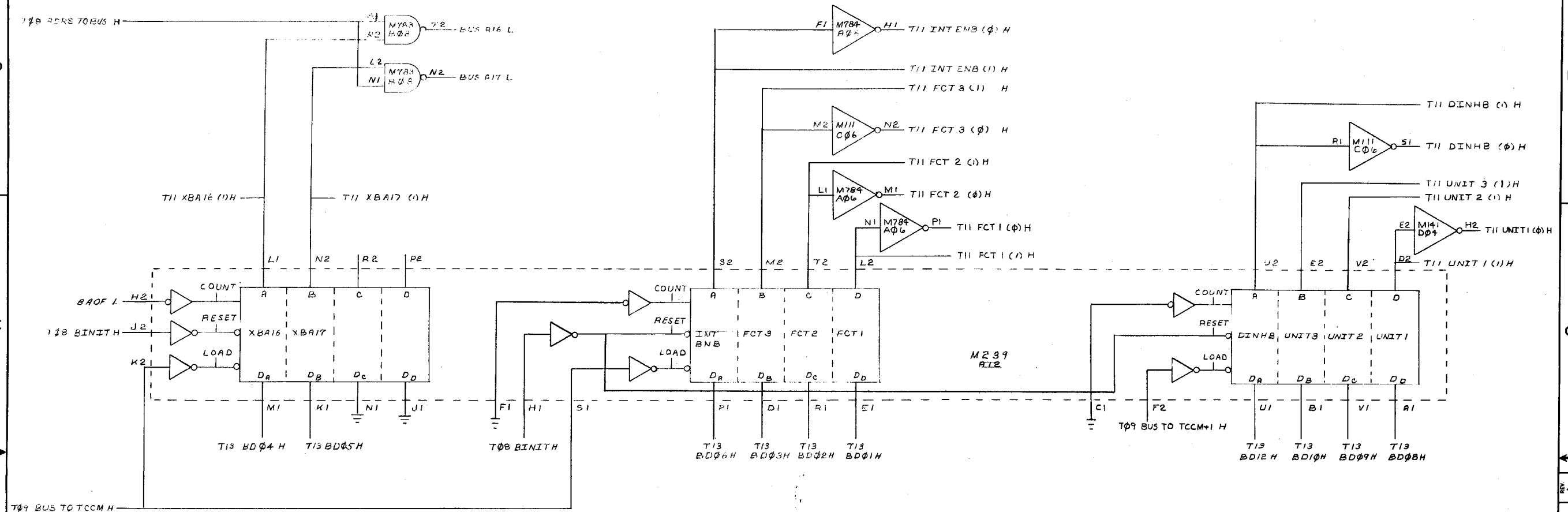


REV.	CHG. NO.	DATE	BY
A	00006	11/17/70	W. Wilson
B	00011	11/17/70	R. P. ...
C	00012	11/17/70	R. P. ...
D	00013	11/17/70	R. P. ...

FIRST USED ON OPTION/MODEL	QTY.	DESCRIPTION	PART NO.	ITEM NO.
PDP11				
UNLESS OTHERWISE SPECIFIED				
DIMENSION IN INCHES				
TOLERANCES				
DECIMALS	FRACTIONS	ANGLES		
± .005	± 1/64	± 0°30'		
FINAL SURFACE QUALITY				
REMOVE BURRS AND BREAK SHARP CORNERS				
MATERIAL	NEXT HIGHER ASSY			
FINISH	SCALE 1 OF 1			
SHEET 1 OF 1		PARTS LIST		
DRAWN: W. Wilson		DATE: 11/17/70		
CHECKED: R. P. ...		DATE: 11/17/70		
ENG. DESIGNED: R. P. ...		DATE: 11/17/70		
PROD. ENG. DESIGNED: R. P. ...		DATE: 11/17/70		
PROD. DESIGNED: R. P. ...		DATE: 11/17/70		
TITLE		digital EQUIPMENT CORPORATION		
SLAVE RESP AND MAINT BITS		MAYNARD, MASSACHUSETTS		
SIZE CODE	NUMBER	REV.		
DBS TC11-0-10		B		

This drawing and specifications, herein, are the property of Digital Equipment Corporation and shall not be reproduced or copied or used in whole or in part as the basis for the manufacture or sale of items without written permission.

11-0-1101 2



REV.	CHG.	NO.	DATE	BY
A	1	1	11/18/70	JANSON

FIRST USED ON OPTION/MODEL	QTY.	DESCRIPTION	PART NO.	ITEM NO.
PDP-11				
PARTS LIST				
UNLESS OTHERWISE SPECIFIED				
DIMENSION IN INCHES				
TOLERANCES				
DECIMALS FRACTIONS ANGLES				
= .005 ± 1/64 ± 0°30'				
FINAL SURFACE QUALITY				
REMOVE BURRS AND BREAK SHARP CORNERS				
MATERIAL				
NEXT HIGHER ASSY				
FINISH				
SCALE				
SHEET				

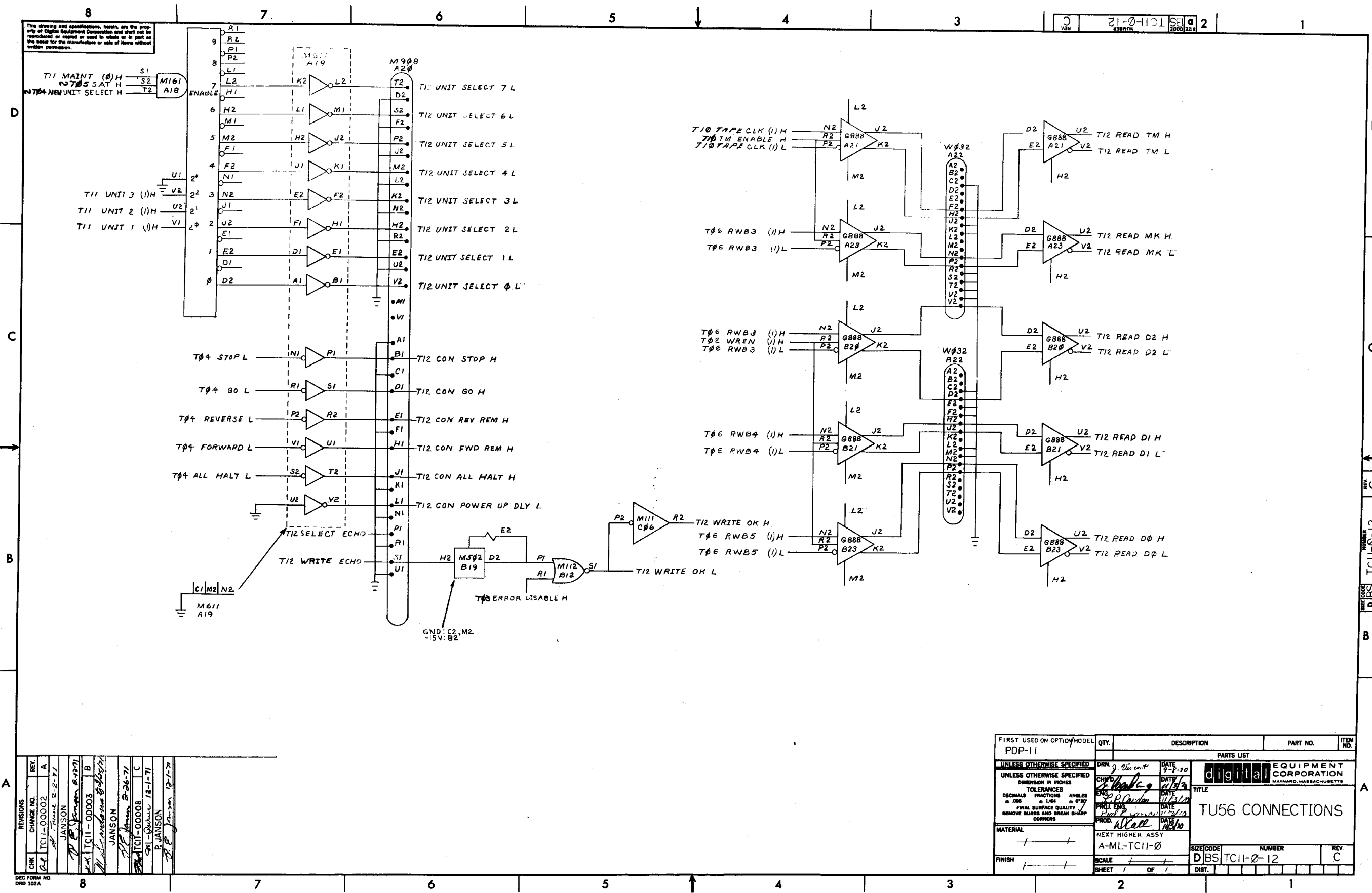
digital EQUIPMENT CORPORATION
MAYNARD, MASSACHUSETTS

TITLE
COMMAND REGISTER

SIZE CODE: A-ML-TC11-0
NUMBER: DBS/TC11-0-11
REV. A

This drawing and specifications, herein, are the property of Digital Equipment Corporation and shall not be reproduced or copied or used in whole or in part as the basis for the manufacture or sale of items without written permission.

21-0-1101 2

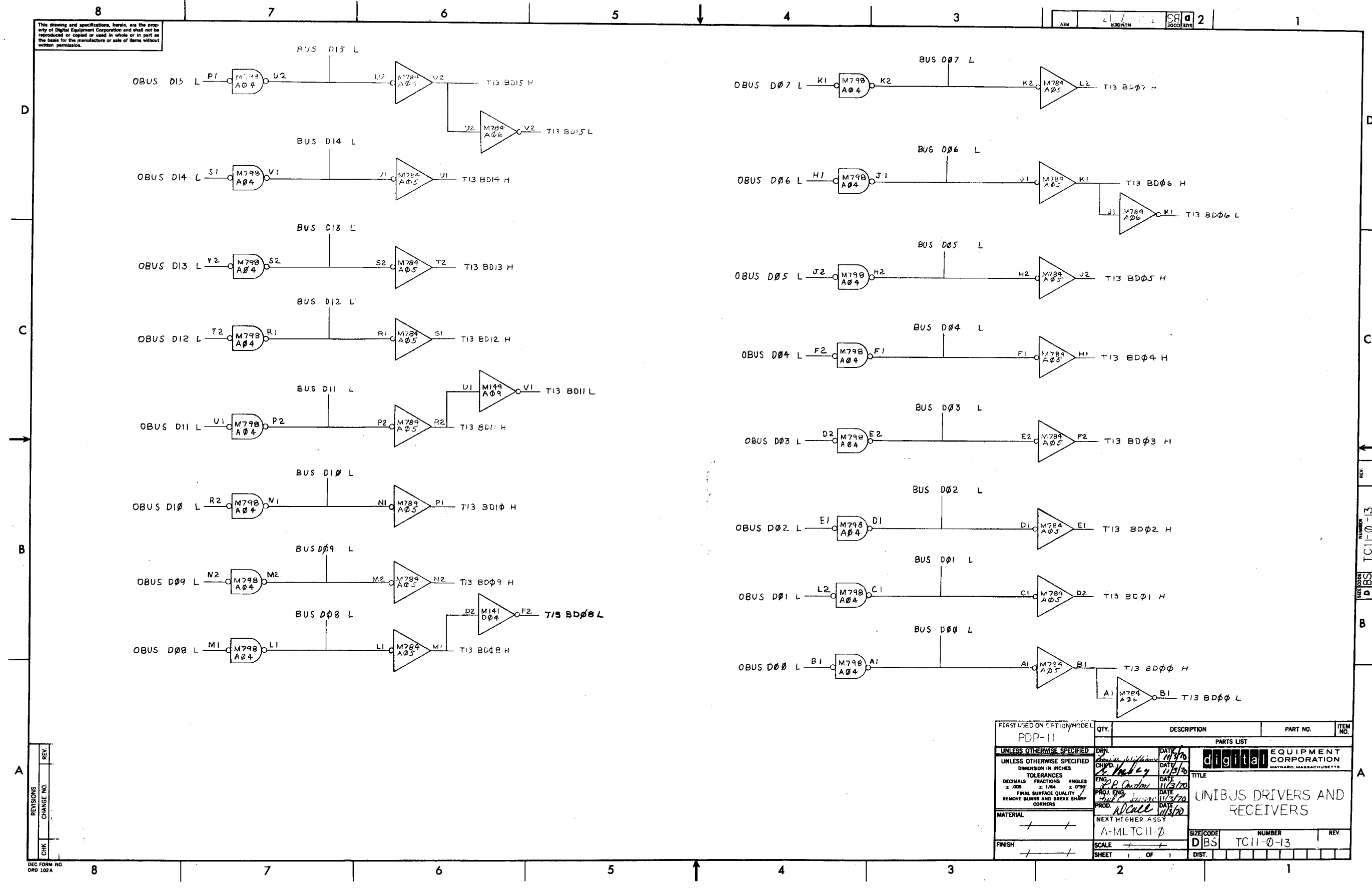


REV.	DATE	BY	CHK
A	2-2-71	JANSON	
B	2-26-71	JANSON	
C	12-1-71	JANSON	
	12-1-71	JANSON	

FIRST USED ON OPTION/MODEL	QTY.	DESCRIPTION	PART NO.	ITEM NO.
PDP-11				
PARTS LIST				
UNLESS OTHERWISE SPECIFIED				
DIMENSION IN INCHES				
TOLERANCES				
DECIMALS FRACTIONS ANGLES				
± .020 ± 1/64 ± 0°00'				
FINAL SURFACE QUALITY				
REMOVE BURRS AND BREAK SHARP CORNERS				
MATERIAL				
FINISH				
NEXT HIGHER ASSY				
A-ML-TC11-0				
SCALE				
SHEET 1 OF 1				
DIGITAL EQUIPMENT CORPORATION MAYNARD, MASSACHUSETTS				
TITLE TU56 CONNECTIONS				
SIZE CODE D BSI TC11-0-12				
NUMBER C				
REV. C				

REV. C
D BSI TC11-0-12

This drawing and specifications, herein, are the property of Digital Equipment Corporation and shall not be reproduced or copied in whole or in part as the basis for the manufacture or sale of items without written permission.



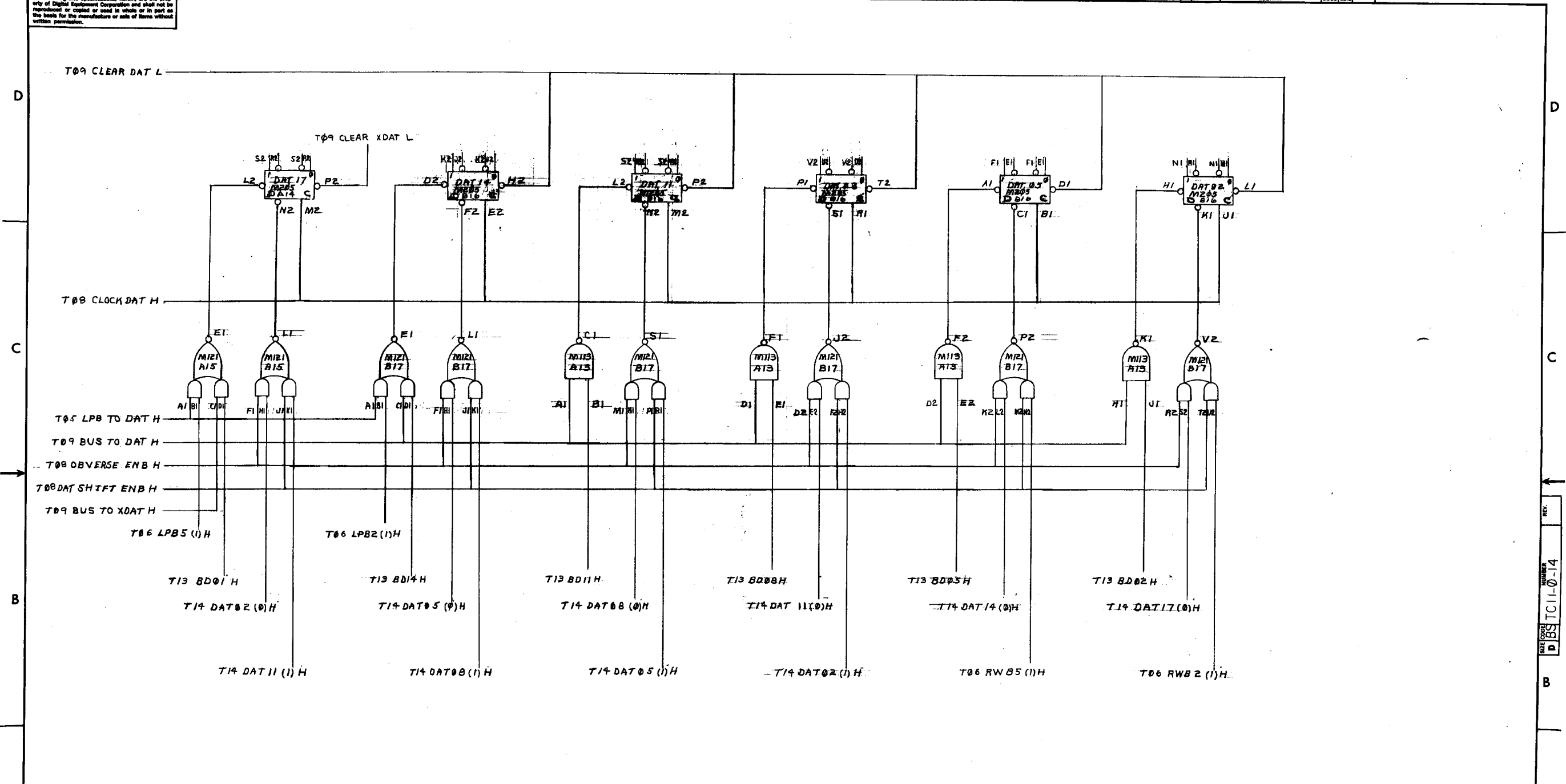
REV	CHANGE NO.

FIRST USED ON OPTION/MODEL PDP-11	QTY.	DESCRIPTION	PART NO.	ITEM NO.
UNLESS OTHERWISE SPECIFIED DIMENSION IN INCHES	PARTS LIST			
UNLESS OTHERWISE SPECIFIED DIMENSION IN INCHES	digital EQUIPMENT CORPORATION MAYNARD, MASSACHUSETTS			
TOLERANCES DECIMALS FRACTIONS ANGLES ± .005 ± 1/64 ± 0°30'	TITLE UNIBUS DRIVERS AND RECEIVERS			
FINAL SURFACE QUALITY / REMOVE BURRS AND BREAK SHARP CORNERS	SIZE/CODE NUMBER REV. D/BS TC11-0-13			
MATERIAL + / + /	NEXT HIGHER ASSY A-ML TC11-0			
FINISH + / + /	SCALE SHEET 1 OF 1			

REV. NUMBER
D/BS TC11-0-13

This drawing and specifications, herein, are the property of Digital Equipment Corporation and shall not be reproduced or copied or used in whole or in part as the basis for the manufacture or sale of items without written permission.

DBS TC11-0-14 2



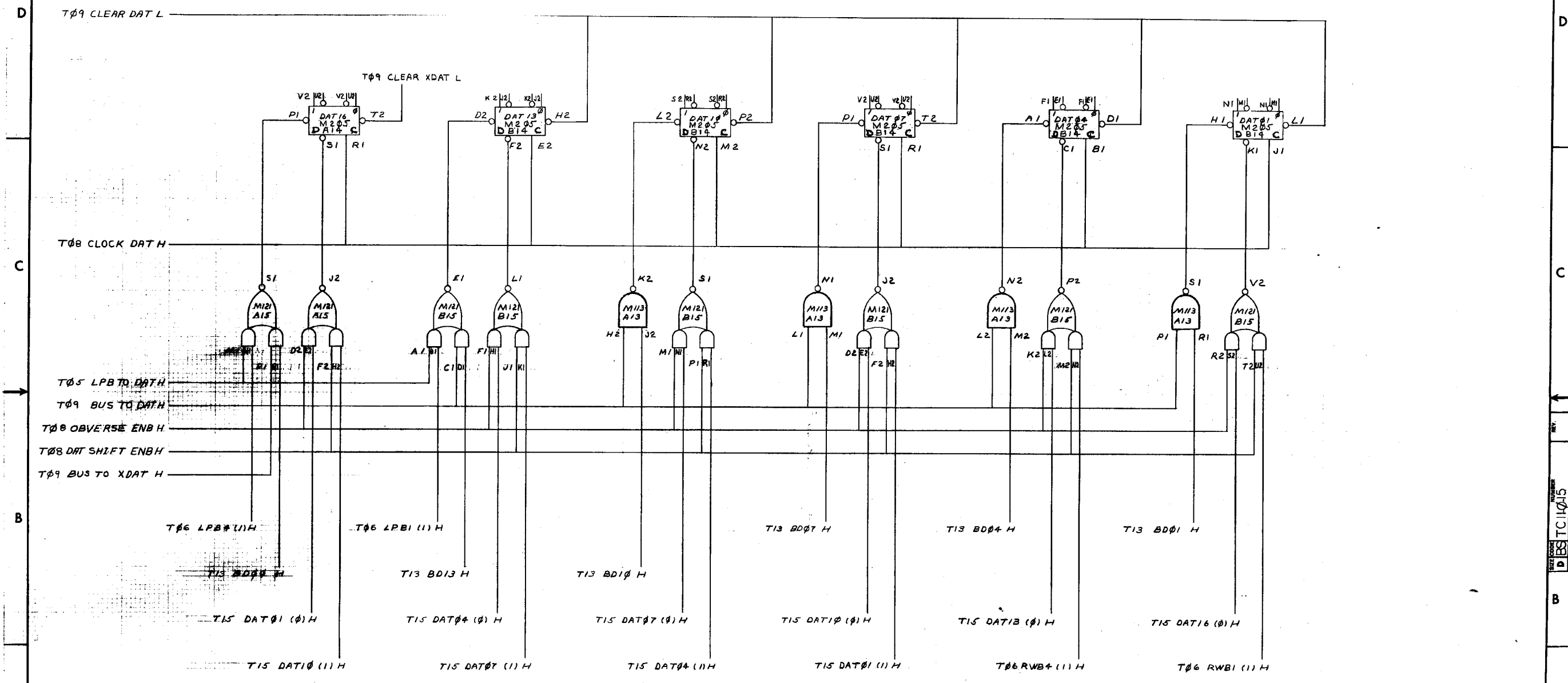
REV	
CHG	
CHK	
REVISIONS	CHANGE NO.

FIRST USED ON OPTION/MODEL PDP-11	QTY.	DESCRIPTION	PART NO.	ITEM NO.
UNLESS OTHERWISE SPECIFIED	PARTS LIST			
UNLESS OTHERWISE SPECIFIED	digital EQUIPMENT CORPORATION MAYNARD, MASSACHUSETTS			
UNLESS OTHERWISE SPECIFIED	TITLE DATA REGISTER I			
UNLESS OTHERWISE SPECIFIED	SIZE CODE DBS TC11-0-14			
UNLESS OTHERWISE SPECIFIED	NUMBER			
UNLESS OTHERWISE SPECIFIED	REV.			
UNLESS OTHERWISE SPECIFIED	SCALE			
UNLESS OTHERWISE SPECIFIED	SHEET OF			

REV. DBS TC11-0-14

This drawing and specifications, herein, are the property of Digital Equipment Corporation and shall not be reproduced or copied or used in whole or in part as the basis for the manufacture or sale of items without written permission.

REV. 2
 SIZE CODE
 NUMBER

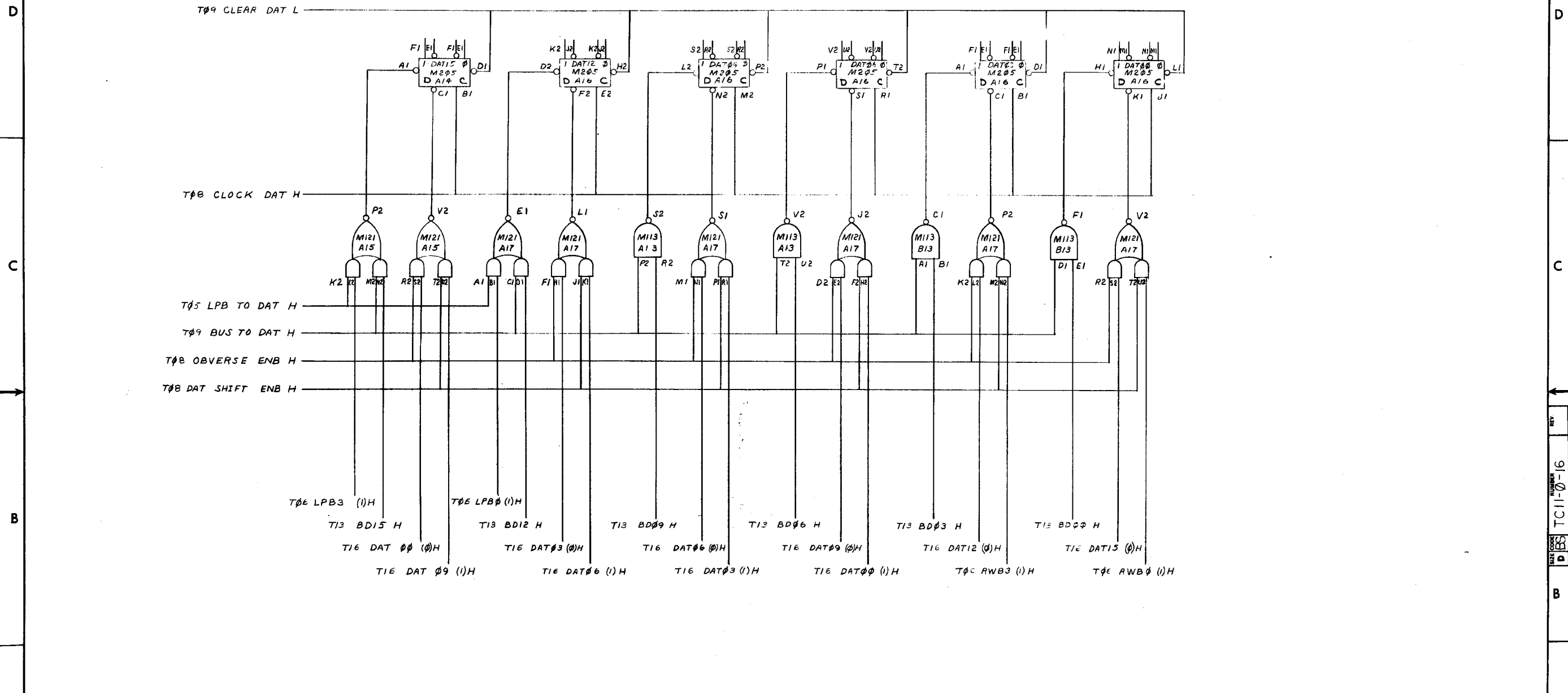


REV.	
CHG.	
NO.	

FIRST USED ON OPTION MODEL PDP-11	QTY.	DESCRIPTION	PART NO.	ITEM NO.
PARTS LIST				
UNLESS OTHERWISE SPECIFIED	DRY	DATE	digital EQUIPMENT CORPORATION MAYNARD, MASSACHUSETTS	
UNLESS OTHERWISE SPECIFIED	DATE	TITLE		
DIMENSION IN INCHES	DATE	DATA REGISTER 2		
TOLERANCES	DATE	SIZE CODE: D BS TC11-015 NUMBER		
DECIMALS FRACTIONS ANGLES	DATE	REV.		
± .005 ± 1/64 ± 0°30'	DATE	DIST.		
FINAL SURFACE QUALITY	DATE	SHEET		
REMOVE BURRS AND BREAK SHARP CORNERS	DATE	OF		
MATERIAL	NEXT HIGHER ASSY	SCALE		
FINISH	AM-L-TC11-0	SHEET		

DES FORM NO. DRO 100A

This drawing and specifications, herein, are the property of Digital Equipment Corporation and shall not be reproduced or copied or used in whole or in part as the basis for the manufacture or sale of items without written permission.



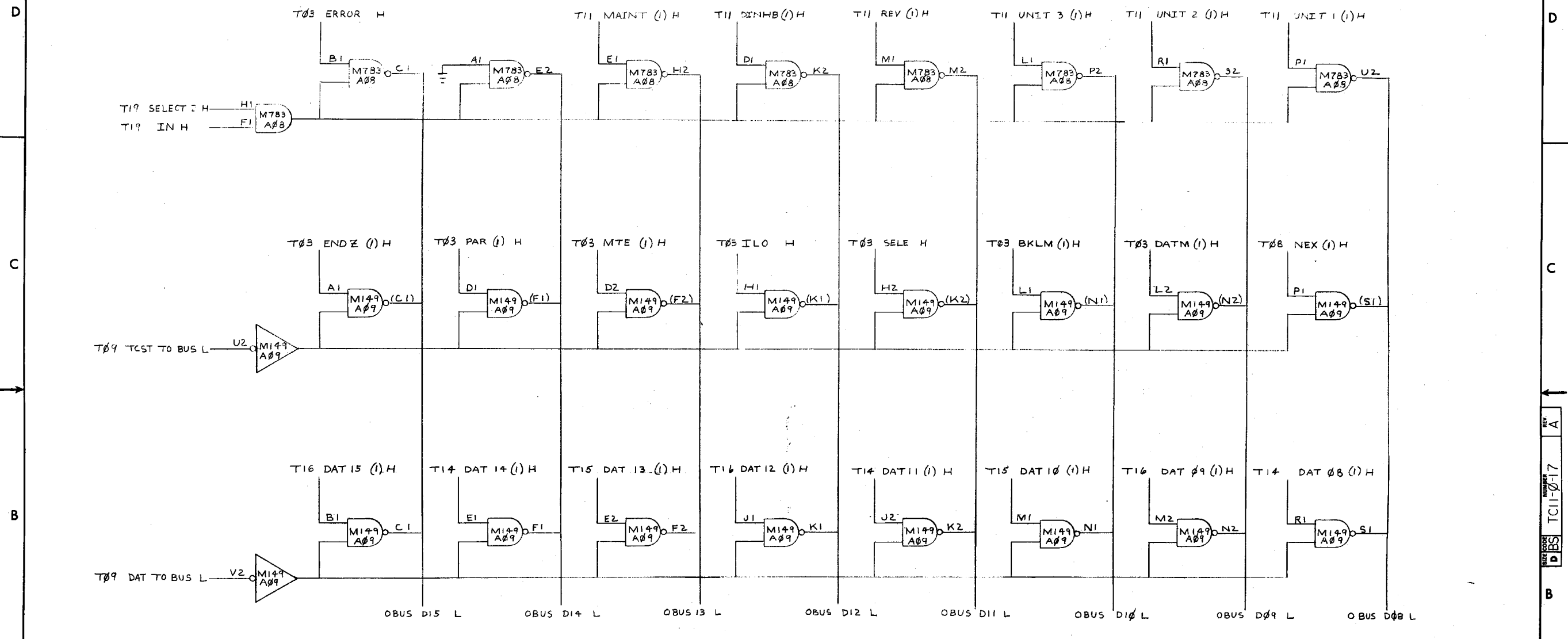
REV.	
CHG.	
CHG.	
CHG.	

FIRST USED ON OPTION MODEL	QTY.	DESCRIPTION	PART NO.	ITEM NO.
PDP-11				
PARTS LIST				
UNLESS OTHERWISE SPECIFIED	DRN.	DATE	digital CORPORATION MAYNARD, MASSACHUSETTS	
DIMENSION IN INCHES	CHKD.	DATE	TITLE	
TOLERANCES	ENG.	DATE	DATA REGISTER 3	
DECIMALS FRACTIONS ANGLES	PROJ. ENG.	DATE	SIZE CODE NUMBER REV.	
± .005 ± 1/64 ± 0°30'	PROD.	DATE	DIRS TC11-0-16	
FINAL SURFACE QUALITY / REMOVE BLURS AND BREAK SHARP CORNERS	NEXT HIGH ANALYST		DIST.	
MATERIAL	A-ML-TC11-0		SHEET 1 OF 1	
FINISH				

REV. NUMBER
DIRS TC11-0-16

This drawing and specifications, herein, are the property of Digital Equipment Corporation and shall not be reproduced or copied or used in whole or in part as the basis for the manufacture or sale of items without written permission.

21-0-1101 2



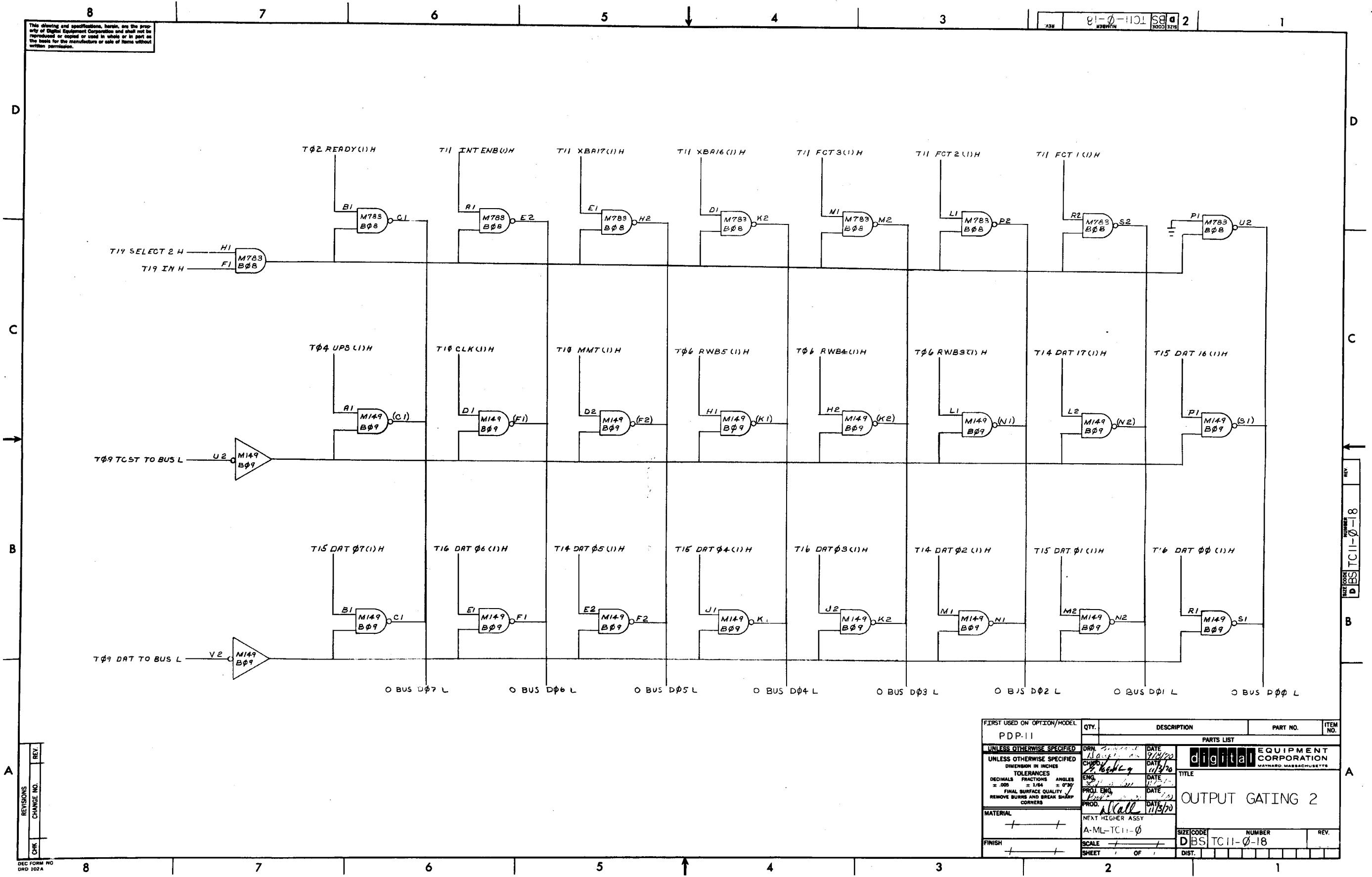
REV	CHANGE NO.	DATE	BY
A	0002	8-8-71	JANSON
			8-17-71

FIRST USED ON OPTION/MODEL	QTY.	DESCRIPTION	PART NO.	ITEM NO.
PDP-11				
UNLESS OTHERWISE SPECIFIED				
DRN: E Wilson		DATE: 8/8/71	PARTS LIST	
CHK'D: J. H. ...		DATE: 11/3/71	digital EQUIPMENT CORPORATION MAYNARD, MASSACHUSETTS	
ENG: J. P. ...		DATE: 11/3/71	TITLE	
PROJ. ENG: ...		DATE: 11/3/71	OUTPUT GATING I	
PROD: ...		DATE: 11/3/71	NEXT HIGHEST ASSY	
MATERIAL: ---		A-ML-TC11-0		SIZE CODE
FINISH: ---		SCALE: ---		NUMBER
		SHEET 1 OF 1		DIST. TC11-0-17
				REV. A

REV. A
TC11-0-17
REV. B

This drawing and specifications, herein, are the property of Digital Equipment Corporation and shall not be reproduced or copied or used in whole or in part as the basis for the manufacture or sale of items without written permission.

81-0-1101 SB 2



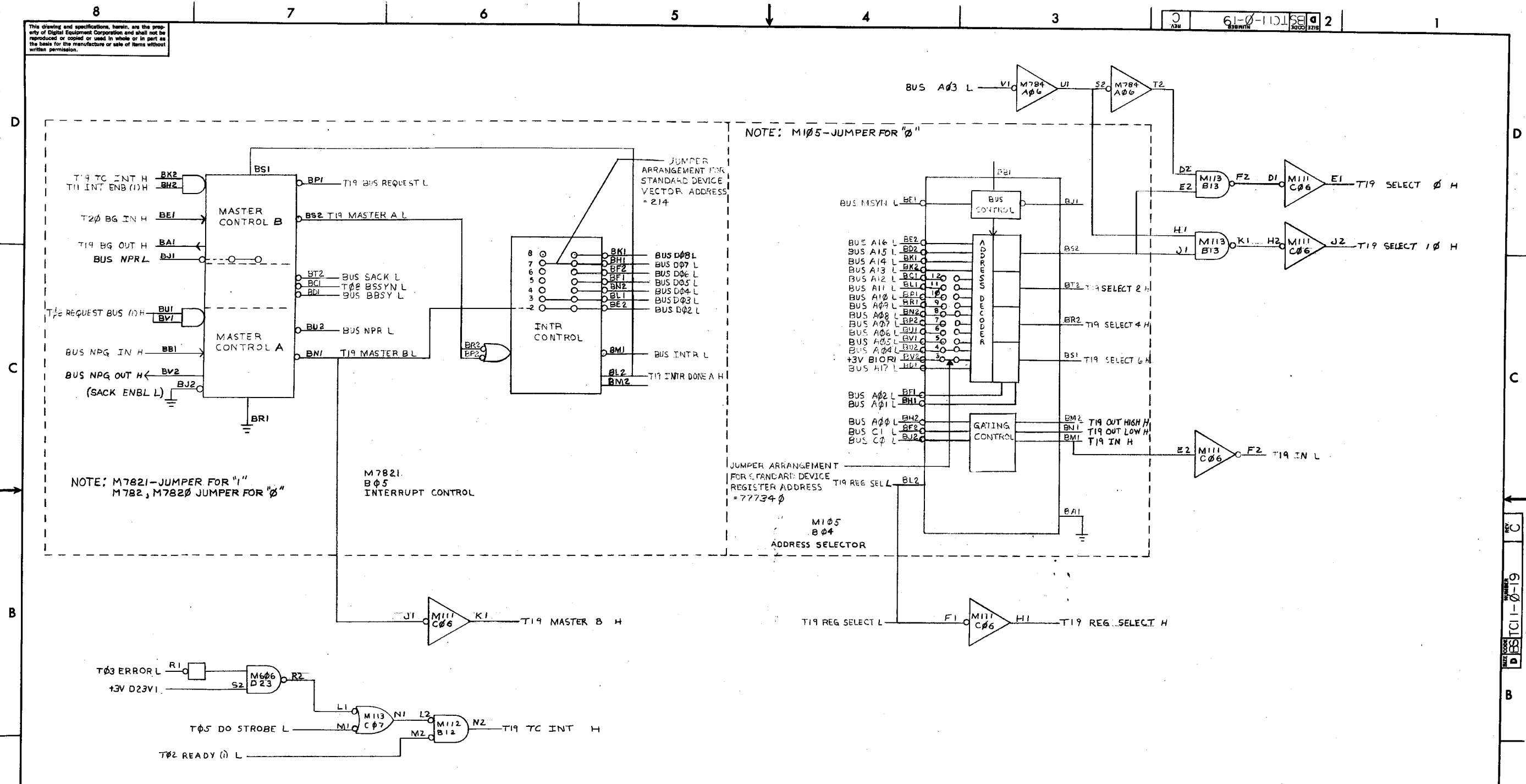
REV. 1
D BS TC11-0-18

REVISIONS	CHK	CHANGE NO.	REV.

FIRST USED ON OPTION/MODEL PDP-11	QTY.	DESCRIPTION	PART NO.	ITEM NO.
PARTS LIST				
UNLESS OTHERWISE SPECIFIED	DRAWN	DATE	digital EQUIPMENT CORPORATION MAYNARD, MASSACHUSETTS	
UNLESS OTHERWISE SPECIFIED	CHKD.	DATE	TITLE	
DIMENSION IN INCHES	ENG.	DATE	OUTPUT GATING 2	
TOLERANCES	PROJ. ENG.	DATE		
DECIMALS FRACTIONS ANGLES	PROD.	DATE		
± .005 ± 1/64 ± 0°30'				
FINAL SURFACE QUALITY / REMOVE BURRS AND BREAK SHARP CORNERS				
MATERIAL	NEXT HIGHER ASSY			
FINISH	A-ML-TC11-0	SIZE CODE	NUMBER	REV.
	SCALE	D BS TC11-0-18		
	SHEET	DIST.		

DEC FORM NO. DRD 102A

This drawing and specifications, herein, are the property of Digital Equipment Corporation and shall not be reproduced or copied or used in whole or in part as the basis for the manufacture or sale of items without written permission.

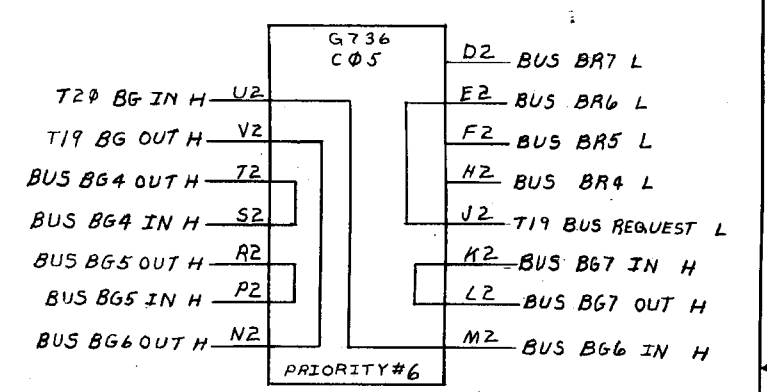
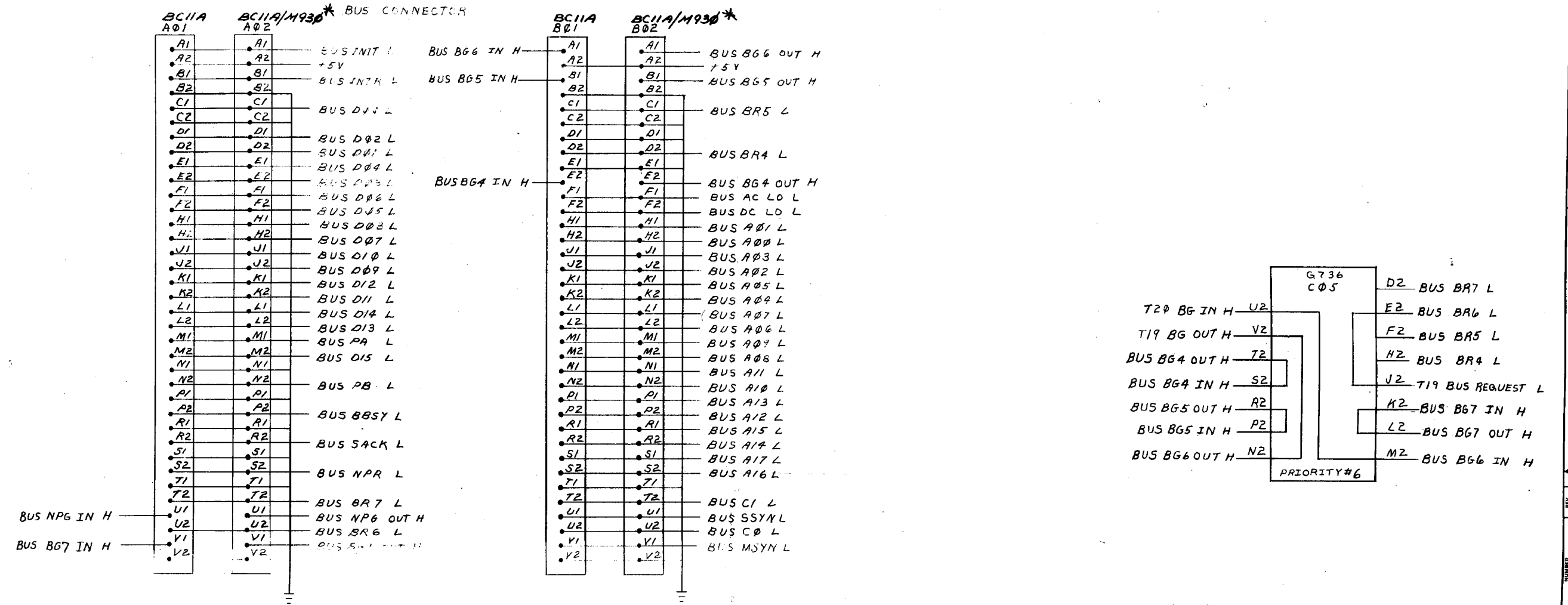


REV.	CHG. NO.	DATE	BY	CHK.
A	0002	3-2-71	JANSON	
B	0006	3-18-71	JANSON	
C	0008	6-4-71	JANSON	
D	0010	12-1-71	P. JANSON	
E	0011	12-1-71	P. JANSON	

QTY.	DESCRIPTION	PART NO.	ITEM NO.
	POP-11		
PARTS LIST			
DRN.	DATE	digital EQUIPMENT CORPORATION MAYNARD, MASSACHUSETTS	
ENG.	DATE	TITLE	
PROJ. ENG.	DATE	ADDR SEL AND INT CONT	
PROD.	DATE	REV. C	
NEXT HIGHER ASSY		SIZE CODE	NUMBER
A-ML-TC11-0		DIST. CODE	REV. C
SCALE		DST.	
SHEET OF 1			

This drawing and specifications, herein, are the property of Digital Equipment Corporation and shall not be reproduced or copied or used in whole or in part as the basis for the manufacture or sale of items without written permission.

8 7 6 5 4 3 2 1



*** NOTE:**
 1. FOR A02/B02 IF TC11 IS THE LAST DEVICE ON THE BUS SLOT A02/B02 HAS IN IT A M930, OTHERWISE IT HAS A BC11A.

REV	
CHK	
CHANGE NO.	

FIRST USED ON OPTION/MODEL
PDP-11

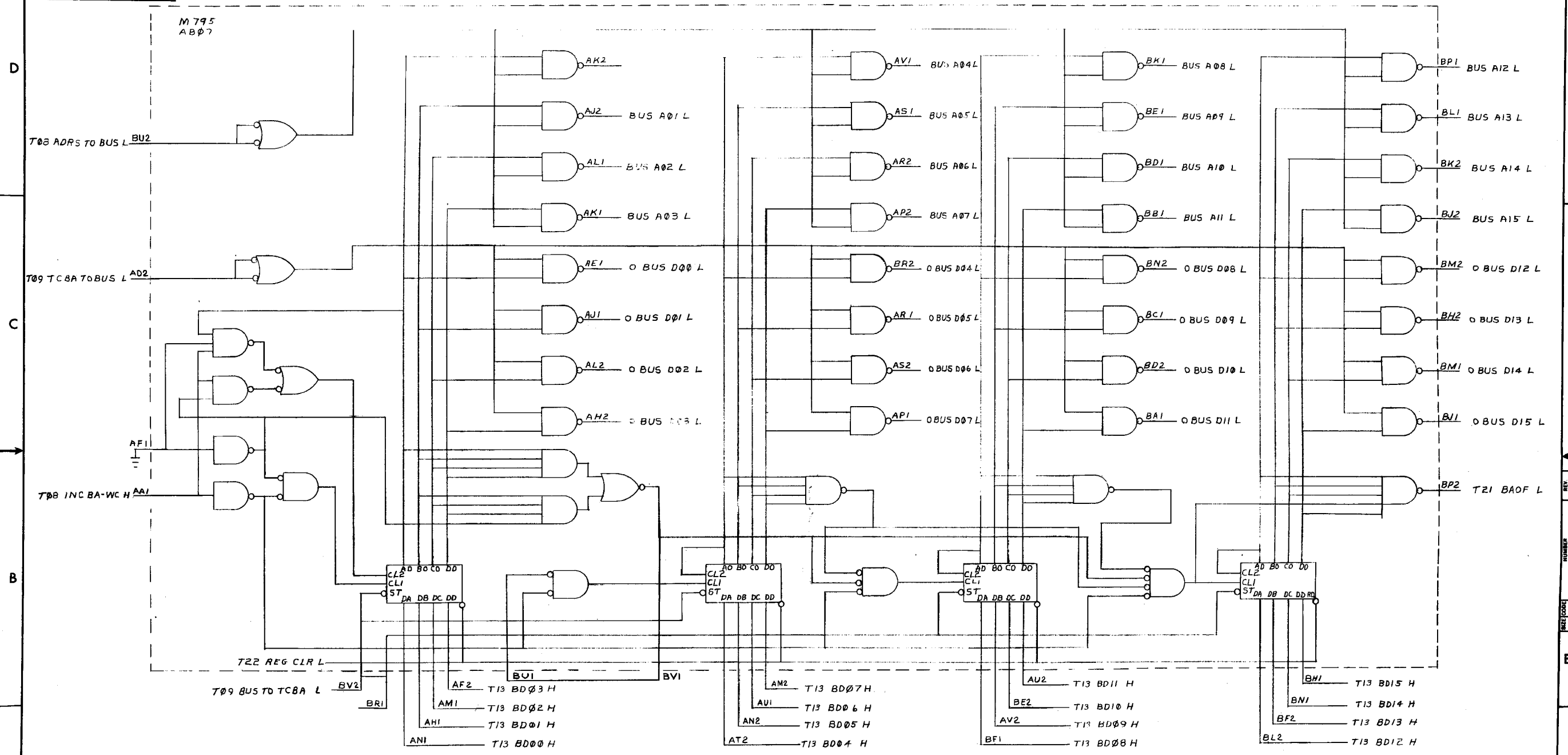
DO NOT SCALE DRAWING
 UNLESS OTHERWISE SPECIFIED
 DIMENSION IN INCHES
 TOLERANCES
 DECIMALS FRACTIONS ANGLES
 ± .008 ± 1/64 ± 0°30'
 FINAL SURFACE QUALITY
 REMOVE BURRS AND BREAK SHARP CORNERS

QTY.	DESCRIPTION	PART NO.	ITEM NO.
PARTS LIST			
digital EQUIPMENT CORPORATION MAYHARD, MASSACHUSETTS			
TITLE BUS CONNECTOR			
NEXT HIGHER ASSY P.L.C. 11		SIZE CODE D	NUMBER TC 11-0-20
SCALE	SHEET	OF	DIST.

REV. 11-72
D E C TC 11-0-20

8 7 6 5 4 3 2 1

This drawing and specifications, herein, are the property of Digital Equipment Corporation and shall not be reproduced or copied or used in whole or in part as the basis for the manufacture or sale of items without written permission.



REV.	CHG. NO.	DATE	BY
A	0006	11/15/70	JANSON
			JANSON

FIRST USED ON OPTION/MODEL	QTY.	DESCRIPTION	PART NO.	ITEM NO.
PDP-11				
UNLESS OTHERWISE SPECIFIED				
DIMENSION IN INCHES				
TOLERANCES				
DECIMALS	FRACTIONS	ANGLES		
± .005	± 1/64	± 0°30'		
FINAL SURFACE QUALITY				
REMOVE BURRS AND BREAK SHARP CORNERS				
MATERIAL		NEXT HIGHER ASSY		
FINISH		SCALE		
		SHEET 1 OF 1		

DATE	DATE	DATE	DATE
9-16-70	11/15/70	11/15/70	11/15/70

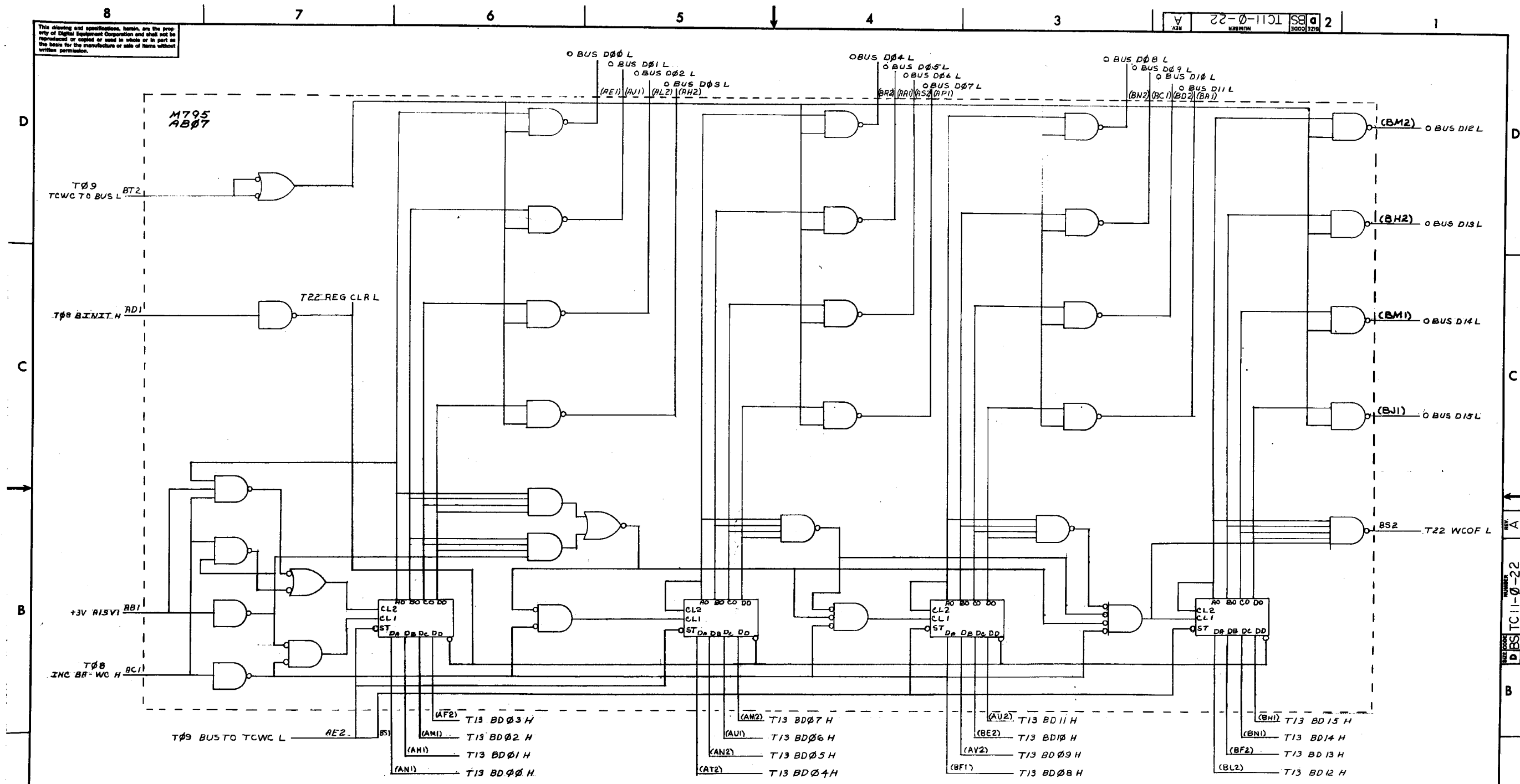
digital EQUIPMENT CORPORATION
MAYNARD, MASSACHUSETTS

TITLE: **BUS ADDRESS REGISTER (TCBA)**

SIZE CODE: **DBS TC11-0-21** NUMBER: **A** REV. **A**

This drawing and specifications, herein, are the property of Digital Equipment Corporation and shall not be reproduced or copied or used in whole or in part as the basis for the manufacture or sale of items without written permission.

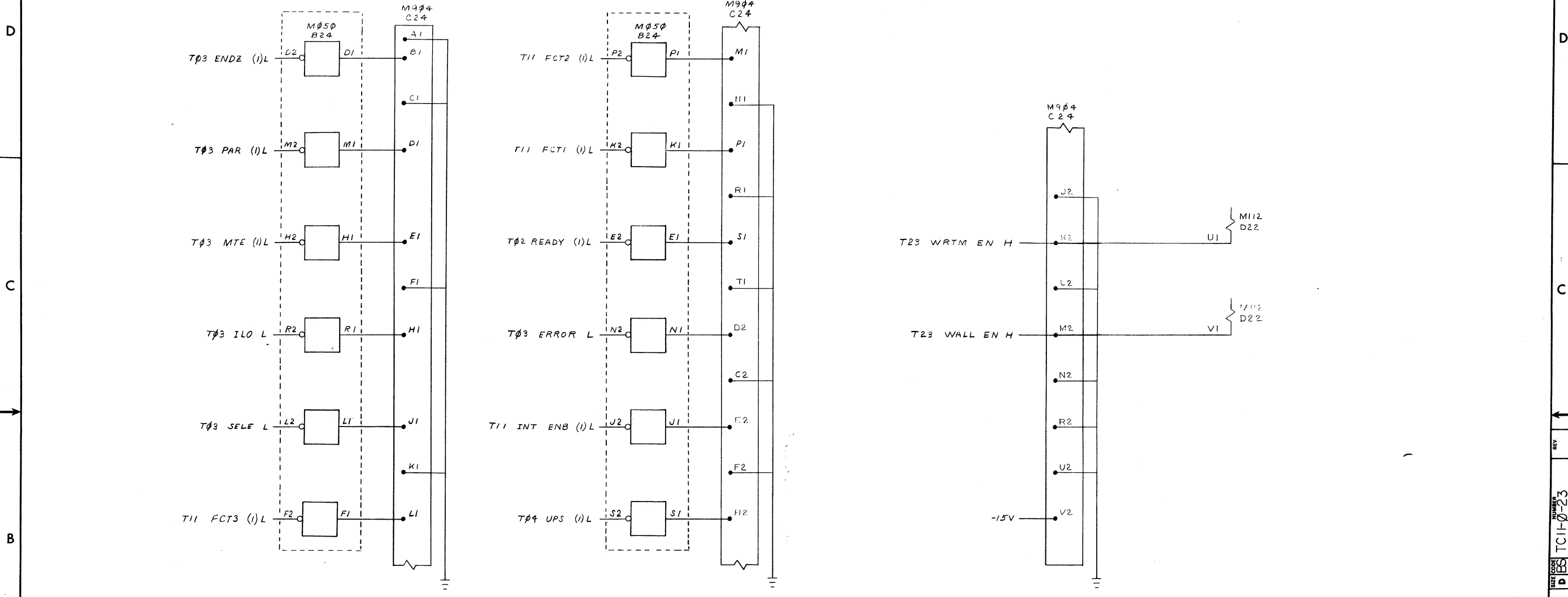
22-0-1101 2



REV.	A
CHANGE NO.	00006
CHK	JANSON
REVISIONS	6-2-77
	6-4-77

FIRST USED ON OPTION/MODEL PDP 11	QTY.	DESCRIPTION	PART NO.	ITEM NO.
UNLESS OTHERWISE SPECIFIED DIMENSIONS IN INCHES TOLERANCES DECIMALS FRACTIONS ANGLES ± .005 ± 1/64 ± 0°30'	PARTS LIST			
UNLESS OTHERWISE SPECIFIED FINAL SURFACE QUALITY REMOVE BURRS AND BREAK SHARP CORNERS	digital EQUIPMENT CORPORATION MAYNARD, MASSACHUSETTS			
MATERIAL FINISH	TITLE WORD COUNT REGISTER (TCWC)			
	NEXT HIGHER ASSY A-ML-TC11-0			
	SCALE SHEET 1 OF 1			
	SIZE CODE NUMBER REV. DBS TC11-0-22 A			

This drawing and specifications herein, are the property of Digital Equipment Corporation and shall not be reproduced or copied or used in whole or in part as the basis for the manufacture or sale of items without written permission.



REVISIONS	REV.
CHANGE NO.	
CHK	

DEC FORM NO. DRD 102A

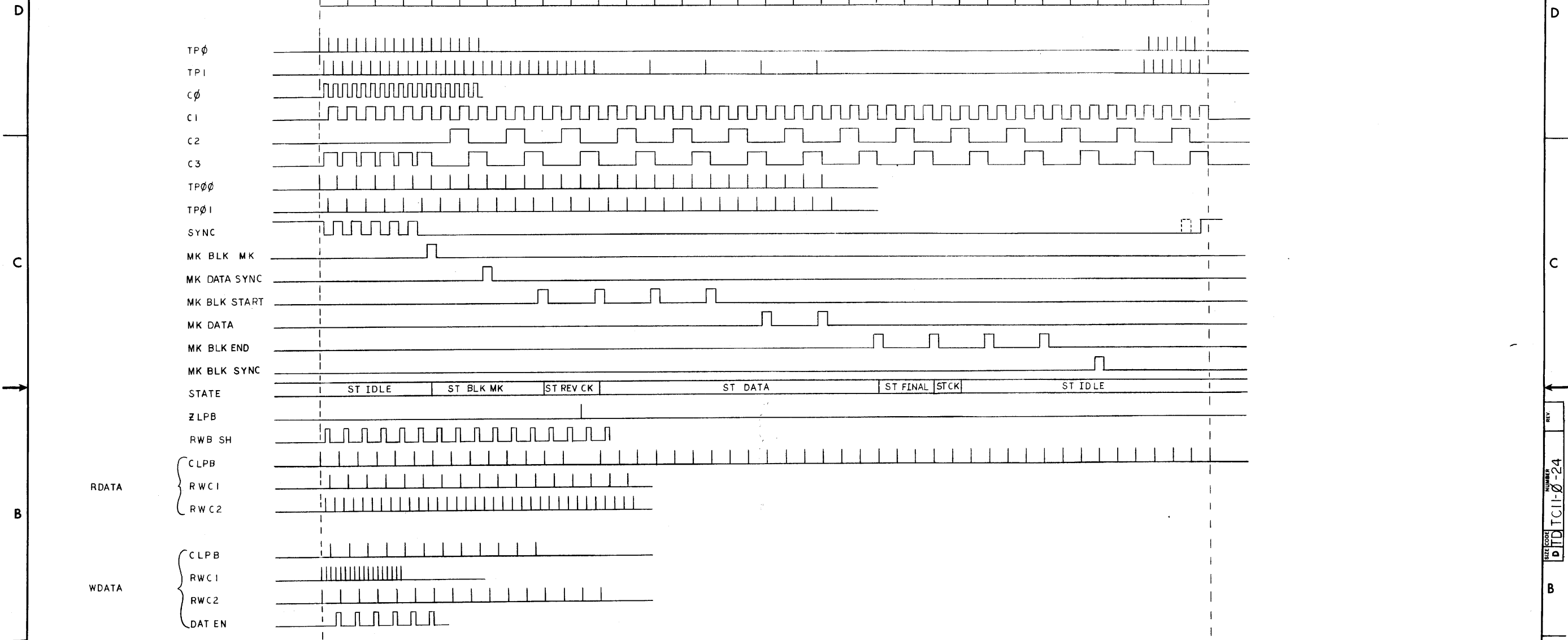
FIRST USED ON OPTION/MODEL PDP-11	QTY.	DESCRIPTION	PART NO.	ITEM NO.
PARTS LIST				
UNLESS OTHERWISE SPECIFIED	DRN. <i>J. Winsor</i>	DATE 9-9-70	digital EQUIPMENT CORPORATION MAYNARD, MASSACHUSETTS	
UNLESS OTHERWISE SPECIFIED	CHKD. <i>W. H. H. H.</i>	DATE 11/17/70	TITLE TC11 CONTROL PANEL	
TOLERANCES	ENG. <i>R. P. Condon</i>	DATE 11/21/70	SIZE/CODE NUMBER D BS TC11-0-23	
DECIMALS = .005	PROJ. ENG. <i>Paul J. Condon</i>	DATE 11/21/70	REV.	
FRACTIONS = 1/64	PROD. <i>W. H. H. H.</i>	DATE 11/17/70	SCALE 1 OF 1	
ANGLES = 0°30'			SHEET 1 OF 1	
FINAL SURFACE QUALITY			DIST.	
REMOVE BURRS AND BREAK SHARP CORNERS				
MATERIAL				
FINISH				

REV. 1
TC11-0-23

This drawing and specifications, herein, are the property of Digital Equipment Corporation and shall not be reproduced or copied or used in whole or in part as the basis for the manufacture or sale of items without written permission.

REV 2
 SIZE CODE
 NUMBER
 DTD TC11-Ø-24

EXT	FOR BLK NUM	REV GUARD	REV LOCK	REV CHECK	1ST DATA	2ND DATA	3RD DATA	4TH DATA	LAST-1 DATA	LAST DATA	FOR CHECK	FOR LOCK	FOR GUARD	REV BLK NUM	EXT																
2	5	2	6	3	2	1	0	1	0	1	0	1	0	7	C	7	C	7	3	7	3	7	3	7	3	5	1	4	5	2	5



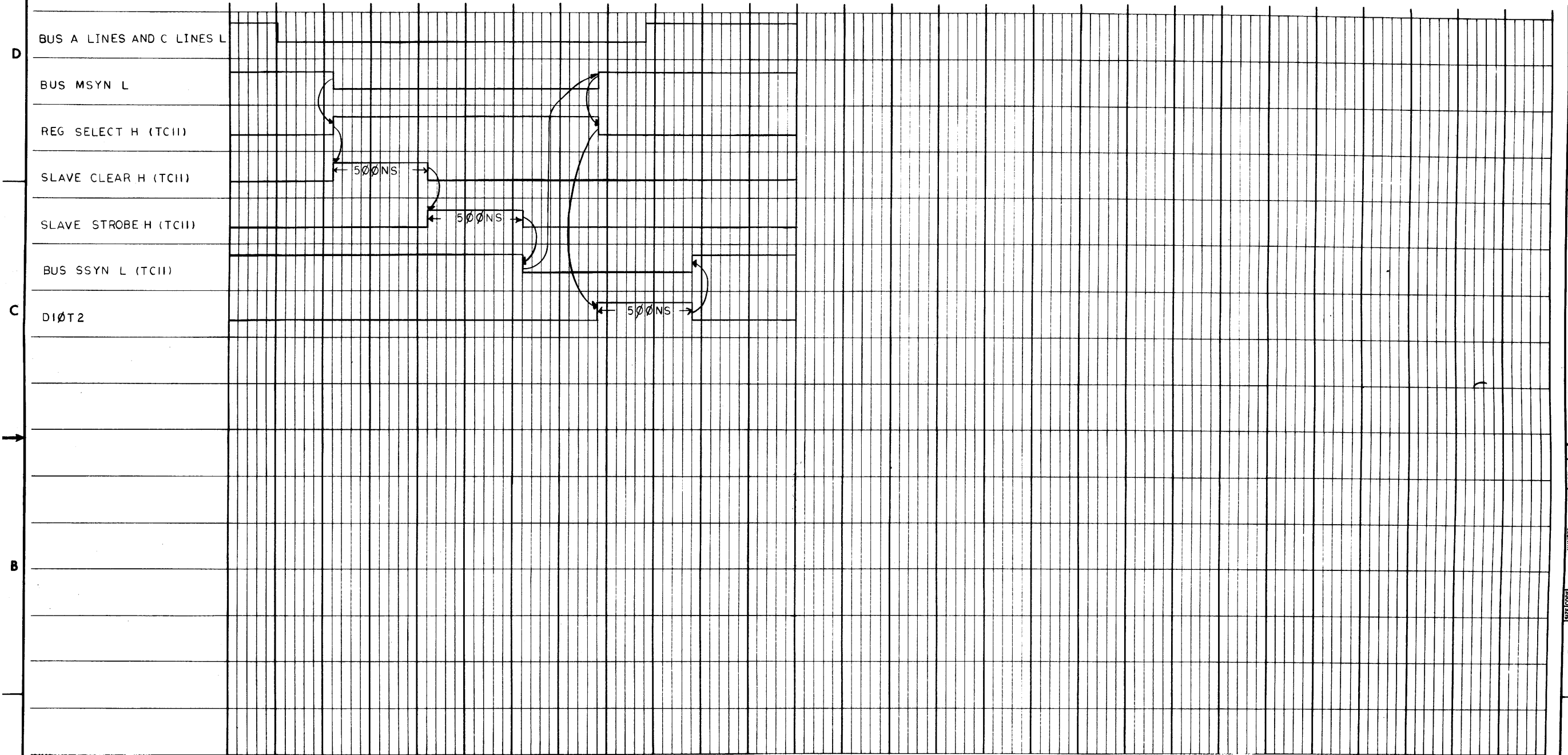
REV	CHANGE NO.	DATE

FIRST USED ON OPTION/MODEL PDP-11	QTY.	DESCRIPTION	PART NO.	ITEM NO.
PARTS LIST				
UNLESS OTHERWISE SPECIFIED	DRN.	DATE	digital EQUIPMENT CORPORATION MAYNARD, MASSACHUSETTS	
UNLESS OTHERWISE SPECIFIED	CHK'D	DATE	TITLE	
DIMENSION IN INCHES	H. Babay	1/15/70	DECTAPE TIMING	
TOLERANCES	ENG.	DATE	NEXT HIGHER ASSY	
DECIMALS FRACTIONS ANGLES	PROJ. ENG.	DATE	A-ML-TC11-Ø	
± .005 ± .1/64 ± 0°30'	PROD.	DATE	SCALE	
FINAL SURFACE QUALITY	W. Call	1/16/70	SHEET 1 OF 1	
REMOVE BURRS AND BREAK SHARP CORNERS			DIST.	
MATERIAL			SIZE CODE NUMBER REV.	
FINISH			D T D TC11-Ø-24	

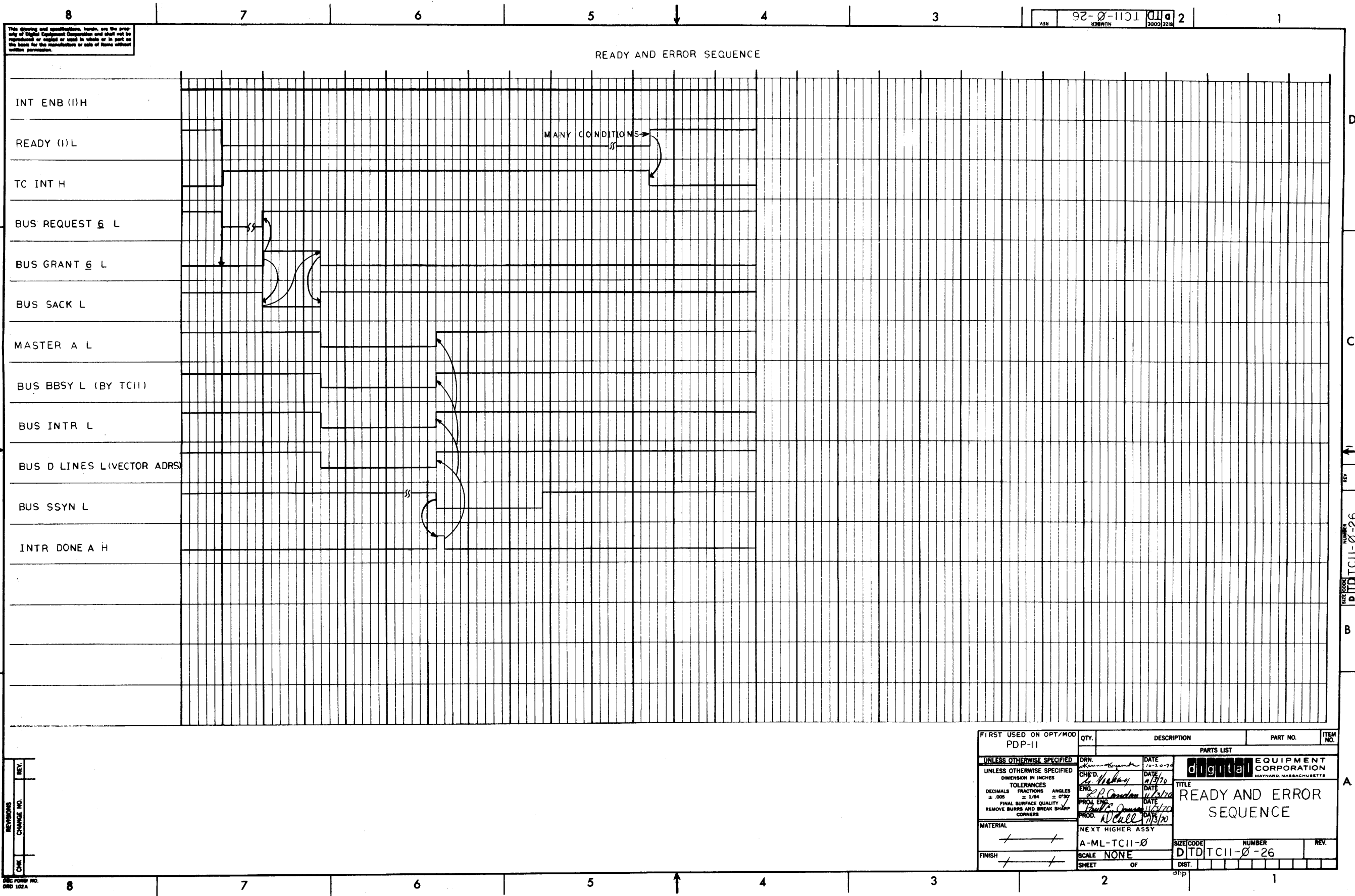
This drawing and specifications, herein, are the property of Digital Equipment Corporation and shall not be reproduced or copied or used in whole or in part as the basis for the manufacture or sale of items without written permission.

REV. 52-0-1101 2

TCII SLAVE RESPONSE



REVISIONS CHANGE NO. CHK	FIRST USED ON OPT/MOD PDP-11	QTY.	DESCRIPTION	PART NO.	ITEM NO.	
	PARTS LIST					
	UNLESS OTHERWISE SPECIFIED DIMENSION IN INCHES TOLERANCES DECIMALS FRACTIONS ANGLES ± .005 ± 1/64 ± 0°30'	DRN. DATE CHK'D. DATE ENG. DATE PROJ. ENG. DATE PROD. DATE	DATE DATE DATE DATE DATE	digital EQUIPMENT CORPORATION MAYNARD, MASSACHUSETTS		
	MATERIAL FINISH	NEXT HIGHER ASSY A-ML-TCII-0	SCALE NONE	TITLE TCII SLAVE RESPONSE		
REC. FORM NO. DDD 102A	SHEET OF	DIST.	SIZE CODE DTD	NUMBER TCII-0-25	REV.	



REV. CHANGE NO. CHK

FIRST USED ON OPT/MOD PDP-11	QTY.	DESCRIPTION	PART NO.	ITEM NO.
PARTS LIST				
UNLESS OTHERWISE SPECIFIED		DRN. <i>K...</i>	DATE 10-20-70	
UNLESS OTHERWISE SPECIFIED		CHK'D <i>L. V...</i>	DATE 11/17/70	
DIMENSION IN INCHES		ENG. <i>P. O...</i>	DATE 11/13/70	
TOLERANCES		PROG. ENR. <i>...</i>	DATE 11/13/70	
DECIMALS ± .005	FRACTIONS ± 1/64	PROD. <i>W. Call</i>	DATE 11/13/70	
ANGLES ± 0°30'		NEXT HIGHER ASSY		
FINAL SURFACE QUALITY		A-ML-TCII-0		
REMOVE BURRS AND BREAK SHARP CORNERS		SCALE NONE		
MATERIAL	FINISH			
+	+			
SCALE NONE		SHEET OF		DIST.
SHEET OF		SHEET OF		DIST.

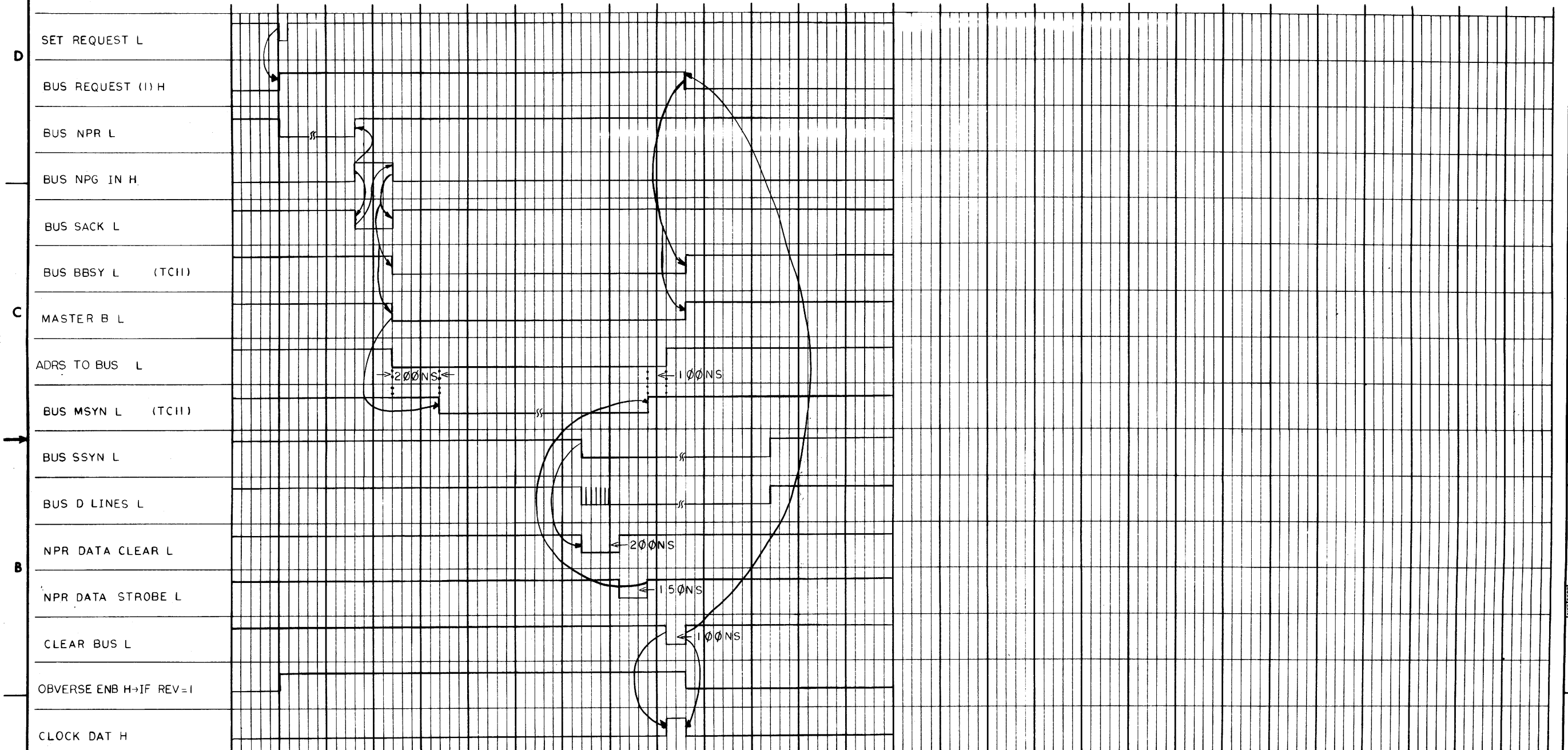
digital EQUIPMENT CORPORATION
MAYNARD, MASSACHUSETTS

TITLE
READY AND ERROR SEQUENCE

SIZE CODE NUMBER REV.
DTDTCII-0-26

This drawing and specifications, herein, are the property of Digital Equipment Corporation and shall not be reproduced or copied or used in whole or in part as the basis for the manufacture or sale of items without written permission.

NPR TRANSFER→DAT1



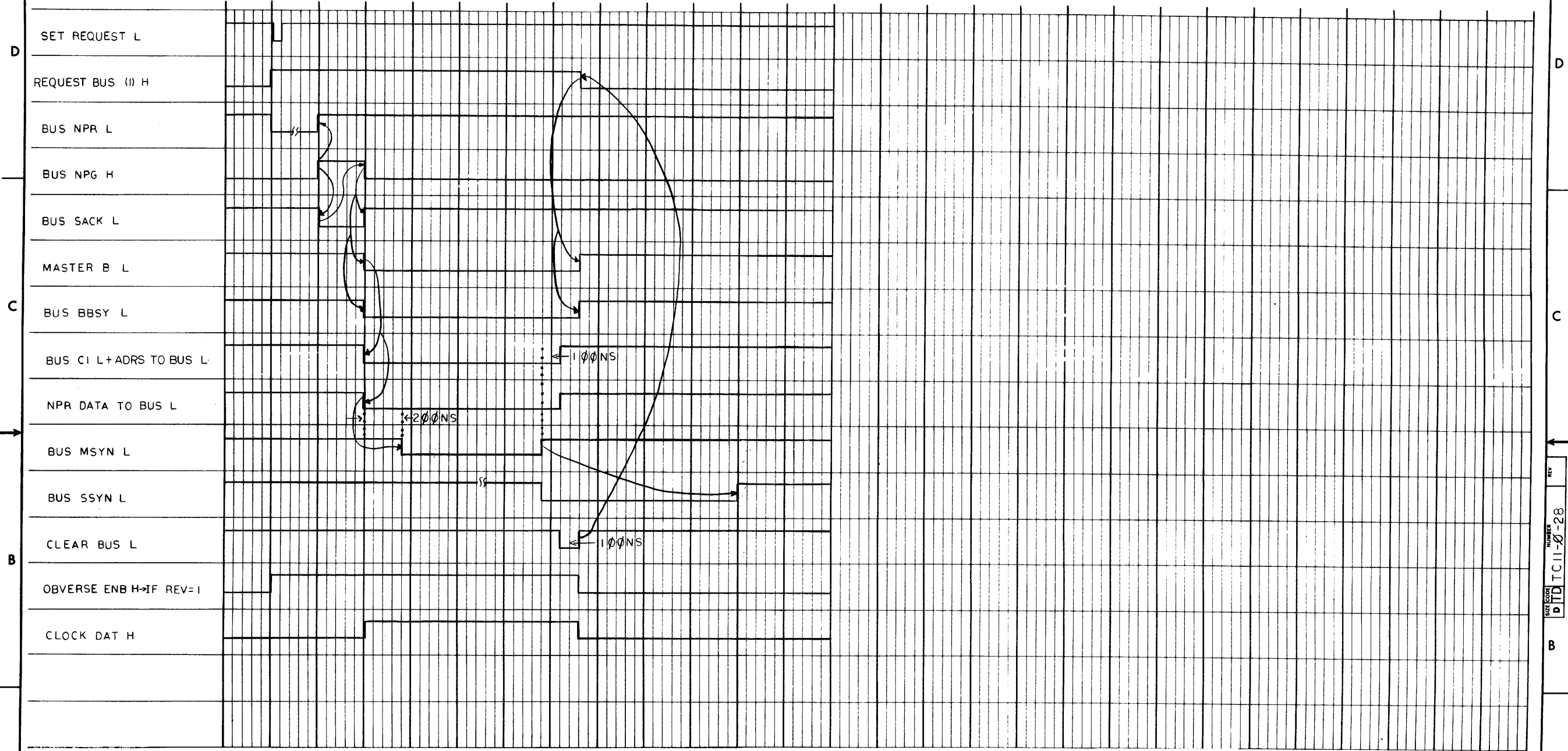
REV.	
CHANGE NO.	
DATE	

FIRST USED ON OPT/MOD PDP-11	QTY.	DESCRIPTION	PART NO.	ITEM NO.
PARTS LIST				
UNLESS OTHERWISE SPECIFIED DIMENSION IN INCHES	DRN. <i>W. H. ...</i>	DATE 70-20-70	digital EQUIPMENT CORPORATION MAYNARD, MASSACHUSETTS	
TOLERANCES	CHK'D <i>H. ...</i>	DATE 11/3/70	TITLE NPR TRANSFER→DAT1	
DECIMALS ± .005	ENG. <i>P. ...</i>	DATE 11/5/70	NEXT HIGHER ASSY A-ML-TC11-0	
FRACTIONS ± 1/64	PROJ. ENGR. <i>Paul ...</i>	DATE 11/3/70	SCALE NONE	
ANGLES ± 0°30'	PROD. <i>W. ...</i>	DATE 11/5/70	SHEET OF	
FINAL SURFACE QUALITY REMOVE BURRS AND BREAK SHARP CORNERS	MATERIAL + + +		FINISH + + +	
			SIZE CODE NUMBER REV. DITD TC11-0-27	

This drawing and specifications, herein, are the property of Digital Equipment Corporation and shall not be reproduced or copied or used in whole or in part as the basis for the manufacture or sale of items without written permission.

DATE CODE: 2-0-1101
 NUMBER: 2

NPR TRANSFER → DATO



REV.	
CHANGE NO.	
CHK	


FIRST USED ON OPT/MOD PDP-11	QTY.	DESCRIPTION	PART NO.	ITEM NO.
PARTS LIST				
UNLESS OTHERWISE SPECIFIED	DRN.	DATE	digital EQUIPMENT CORPORATION MAYNARD, MASSACHUSETTS	
UNLESS OTHERWISE SPECIFIED	CHKD.	DATE	TITLE	
DIMENSION IN INCHES	ENG.	DATE	NPR TRANSFER → DATO	
TOLERANCES	PROL. ENG.	DATE	SIZE CODE NUMBER REV.	
DECIMALS FRACTIONS ANGLES	PROD.	DATE	DITD TC11-0-28	
± .005 ± .004 ± .030			DIST.	
FINAL SURFACE QUALITY			SHEET OF	
REMOVE BURRS AND BREAK SHARP CORNERS			SHIP	
MATERIAL	NEXT HIGHER ASSY	A-ML-TC11-0		
FINISH	SCALE	NONE		

REV. NUMBER
 DITD TC11-0-28

DEC FORM NO. 102A

DRWG NO	REV LTR
K-WL-TCII-Ø-3Ø	F

REVISIONS			
REV LTR	ECO NO	DATE	ENG
A	TCII-00002	2-2-71	<i>[Signature]</i>
B	TCII-00003	2-25-71	<i>[Signature]</i>
C	TCII-00006	6-2-71	<i>[Signature]</i>
D	TCII-00008	12-1-71	<i>[Signature]</i>
E	TCII-00010	4-13-72	<i>[Signature]</i>
F	TCII-00011	5-15-72	<i>[Signature]</i>

<table border="1"> <tr> <td>DRAWN</td> <td>DATE</td> </tr> <tr> <td><i>T. Chutanda</i></td> <td>10/20/70</td> </tr> <tr> <td>CHECKED</td> <td>DATE</td> </tr> <tr> <td><i>M. Noyberg</i></td> <td>11/3/70</td> </tr> <tr> <td>ENG</td> <td>DATE</td> </tr> <tr> <td><i>Larry P. Condon</i></td> <td>11/3/70</td> </tr> <tr> <td>PROJ ENG</td> <td>DATE</td> </tr> <tr> <td><i>P.E. Johnson</i></td> <td>11/3/70</td> </tr> <tr> <td>PROP</td> <td>DATE</td> </tr> <tr> <td><i>W. Call</i></td> <td>11/3/70</td> </tr> </table>	DRAWN	DATE	<i>T. Chutanda</i>	10/20/70	CHECKED	DATE	<i>M. Noyberg</i>	11/3/70	ENG	DATE	<i>Larry P. Condon</i>	11/3/70	PROJ ENG	DATE	<i>P.E. Johnson</i>	11/3/70	PROP	DATE	<i>W. Call</i>	11/3/70	 <p>digital EQUIPMENT CORPORATION MAYNARD, MASSACHUSETTS</p>	<table border="1"> <tr> <td colspan="2">TITLE</td> </tr> <tr> <td colspan="2">DECTAPE CONTROL TCII</td> </tr> <tr> <td>FOR</td> <td>TAPE # FILE *</td> </tr> <tr> <td>SIZE</td> <td>CODE</td> </tr> <tr> <td>K</td> <td>WL</td> </tr> <tr> <td>DWG. NO.</td> <td>REV LTR</td> </tr> <tr> <td>TCII-Ø-3Ø</td> <td>F</td> </tr> </table>	TITLE		DECTAPE CONTROL TCII		FOR	TAPE # FILE *	SIZE	CODE	K	WL	DWG. NO.	REV LTR	TCII-Ø-3Ø	F
DRAWN	DATE																																			
<i>T. Chutanda</i>	10/20/70																																			
CHECKED	DATE																																			
<i>M. Noyberg</i>	11/3/70																																			
ENG	DATE																																			
<i>Larry P. Condon</i>	11/3/70																																			
PROJ ENG	DATE																																			
<i>P.E. Johnson</i>	11/3/70																																			
PROP	DATE																																			
<i>W. Call</i>	11/3/70																																			
TITLE																																				
DECTAPE CONTROL TCII																																				
FOR	TAPE # FILE *																																			
SIZE	CODE																																			
K	WL																																			
DWG. NO.	REV LTR																																			
TCII-Ø-3Ø	F																																			
ASSY NO	SCALE	SHEET OF	DIST.																																	

TC11-F RUN NAME	A/P PIN	HN0298, V19(10) NAME	03/31/72 ORDER BAY	Q DRAW	RV	PG	Y	X	Z	REMARKS	24-MAY-72 LENGTH	21112 EXCEPTIONS	PAGE 1 RUN NUMBER
*3 A13V1	A13V1	A13V1	1-01 *	T01S					2				1
*3 A13V1	A13V1	A13V1	1-02 *	T10					1				1
*3 A13V1	A13V1	A13V1	1-03 *	T11					2				1
*3 A13V1	A13V1	A13V1	1-04 *	T11					1				1
*3 A13V1	A13V1	A13V1	1-05 *	T10					2				1
*3 A13V1	A13V1	A13V1	1-06 *	T10					2				1
*3 A13V1	A13V1	A07B1	1-07 *	T10					2				1
*3 A13V1	A13V1	A07B1	1-08 *	T21					2				1
*3 B10R1	B10R1	B10L1	1-01 *	T04					2				1
*3 B10R1	B10R1	B10R1	1-02 *	T10					2				1
*3 B10R1	B10R1	B10R1	1-03 *	T04S					2				1
*3 B10R1	B10R1	B04V2	1-04 *	T19					2				1
*3 B10R1	B10R1	B10L1	1-01 *	T03					2				1
*3 B10R1	B10R1	B1L2	1-02 *	T04					2				1
*3 B10R1	B10R1	B14V1	1-03 *	T01S					1				1
*3 B13U1	B13U1	B13U1	1-01 *	T03					2				1
*3 B13U1	B13U1	B13U1	1-02 *	T01S					1				1
*3 B13U1	B13U1	B13U1	1-01 *	T07S					1				1
*3 B13U1	B13U1	B13U1	1-02 *	T07S					1				1
*3 C04R1	C04R1	C04N1	1-01 *	T08					2				1
*3 C04R1	C04R1	C04M1	1-02 *	T08					2				1
*3 C04R1	C04R1	C04R1	1-03 *	T08S					2				1
*3 C04R1	C04R1	C04L1	1-04 *	T08					2				1
*3 C10V1	C10V1	C10A1	1-01 *	T07					1				1
*3 C10V1	C10V1	C10V1	1-02 *	T07S					1				1
*3 C13V1	C13V1	C13V1	1-01 *	T01S					2				1
*3 C13V1	C13V1	C12T2	1-02 *	T05					1				1
*3 C13V1	C13V1	C12S2	1-03 *	T05					1				1
*3 C13V1	C13V1	C14K1	1-04 *	T06					1				1
*3 C13V1	C13V1	C14F2	1-05 *	T06					1				1
*3 C13V1	C13V1	C14D1	1-06 *	T06					1				1
*3 C13V1	C13V1	C14A1	1-07 *	T06					1				1

TC11-F RUN NAME	A/P PIN	HN0298, V19(10) NAME	03/31/72 ORDER BAY	Q DRAW	RV	PG	Y	X	Z	REMARKS	24-MAY-72 LENGTH	21112 EXCEPTIONS	PAGE 2 RUN NUMBER
*3 C20V1	C20V1	C22F1	1-01 *	T02					1				3
*3 C20V1	C20V1	C22K2	1-02 *	T02					2				3
*3 C20V1	C20V1	C22R2	1-03 *	T02					2				3
*3 C20V1	C20V1	C20U1	1-04 *	T01S					2				3
*3 C20V1	C20V1	D19T2	1-05 *	T02					2				3
*3 C20V1	C20V1	D19P1	1-06 *	T02					1				3
*3 C20V1	C20V1	C22L1	1-01 *	T02					2				3
*3 C20V1	C20V1	C22S1	1-02 *	T02					1				3
*3 C20V1	C20V1	C22S2	1-03 *	T02					2				3
*3 C20V1	C20V1	C22U1	1-04 *	T02					2				3
*3 C20V1	C20V1	C20V1	1-05 *	T01S					1				3
*3 C23U1	C23U1	C23U1	1-01 *	T01S					1				9
*3 C23U1	C23U1	C23M2	1-02 *	T03					1				10
*3 C23U1	C23U1	C23U1	1-01 *	T04					2				10
*3 C23U1	C23U1	C23U1	1-02 *	T04					2				12
*3 C23U1	C23U1	C23U1	1-03 *	T04S					2				12
*3 C23U1	C23U1	C23U1	1-04 *	T04					2				12
*3 C23U1	C23U1	C23U1	1-01 *	T04					2				11
*3 C23U1	C23U1	C23U1	1-02 *	T04					2				12
*3 C23U1	C23U1	C23U1	1-03 *	T04S					2				12
*3 C23U1	C23U1	C23U1	1-04 *	T04					2				12
*3 C23U1	C23U1	C23U1	1-01 *	T05					1				13
*3 C23U1	C23U1	C23U1	1-02 *	T05					2				13
*3 C23U1	C23U1	C23U1	1-03 *	T05					2				13
*3 C23U1	C23U1	C23U1	1-04 *	T07					2				13
*3 C23U1	C23U1	C23U1	1-05 *	T03					1				13
*3 C23U1	C23U1	C23U1	1-06 *	T07					1				13
*3 C23U1	C23U1	C23U1	1-07 *	T07S					1				13
*3 C23U1	C23U1	C23U1	1-01 *	T02					1				14
*3 C23U1	C23U1	C23U1	1-02 *	T01S					1				14

TC11,F RUN NAME	A/P PIN NAME	HND288.V19(16) 03/31/72 ORDER PIN	Q DRAW RV PG Y	X	Z	REMARKS	24-MAY-72 LENGTH	21112 EXCEPTIONS	PAGE 3 RUN NUMBER
*3 D23V1	D23V1	1-01 *	T018		1				15
*3 D23V1	D23S2	1-02 *	T19		2				15
*3 D23V1	D23E2	1-03 *	T02				6-2/8		15
*3 D23V1		1							15
A06D2	A06D2	1-01 *	T00S		1				16
A06D2	B12R2	1-02 *	T00				7-4/8		16
A06D2		1							16
A06L2	A06L2	1-01 *	T00S		1				17
A06L2	C11J1	1-02 *	T00				8-2/8		17
A06L2		1							17
A06S1	A06S1	1-01 *	T02S		1				18
A06S1	B13P2	1-02 *	T02				7-2/8		18
A06S1		1							18
A06T2	A06T2	1-01 *	T19S		1				19
A06T2	B13D2	1-02 *	T19				6-4/8		19
A06T2		1							19
A06U1	A06S2	1-01 *	T19		1				20
A06U1	A06U1	1-02 *	T19S		2				20
A06U1	B13H1	1-03 *	T19				9-2/8		20
A06U1		1							20
A10D2	A10D2	1-01 *	T10S		1				21
A10D2	A10E2	1-02 *	T10				2-4/8		21
A10D2		1							21
A10V2	A10R2	1-01 *	T10		1				22
A10V2	A10V2	1-02 *	T10S				2-6/8		22
A10V2		1							22
A11L1	A11L1	1-01 *	T10S		1				23
A11L1	A11J1	1-02 *	T10				4-0/8		23
A11L1		1							23
A11M1	A11J1	1-01 *	T10		1				24
A11M1	A11M1	1-02 *	T10S		2				24
A11M1	A11S2	1-03 *	T10				5-6/8		24
A11M1		1							24
A13C1	A13C1	1-01 *	T14S		1				25
A13C1	B10L2	1-02 *	T14				6-6/8		25
A13C1		1							25

TC11,F RUN NAME	A/P PIN NAME	HND288.V19(16) 03/31/72 ORDER PIN	Q DRAW RV PG Y	X	Z	REMARKS	24-MAY-72 LENGTH	21112 EXCEPTIONS	PAGE 4 RUN NUMBER
A13F1	A13F1	1-01 *	T14S		1				26
A13F1	B10P1	1-02 *	T14				6-4/8		26
A13F1		1							26
A13F2	A13F2	1-01 *	T14S		1				27
A13F2	B10A1	1-02 *	T14				5-0/8		27
A13F2		1							27
A13K1	A13K1	1-01 *	T14S		1				28
A13K1	B10H1	1-02 *	T14				5-4/8		28
A13K1		1							28
A13K2	A13K2	1-01 *	T15S		1				29
A13K2	B14L2	1-02 *	T15				5-4/8		29
A13K2		1							29
A13N1	A13N1	1-01 *	T15S		1				30
A13N1	B14P1	1-02 *	T15				5-4/8		30
A13N1		1							30
A13N2	A13N2	1-01 *	T15S		1				31
A13N2	B14A1	1-02 *	T15				3-6/8		31
A13N2		1							31
A13S1	A13S1	1-01 *	T15S		1				32
A13S1	B14H1	1-02 *	T15				4-2/8		32
A13S1		1							32
A13S2	A13S2	1-01 *	T16S		1				33
A13S2	A10L2	1-02 *	T16				4-2/8		33
A13S2		1							33
A13V2	A13V2	1-01 *	T16S		1				34
A13V2	A10P1	1-02 *	T16				3-6/8		34
A13V2		1							34
A15E1	A14L2	1-01 *	T14		1				35
A15E1	A15E1	1-02 *	T14S				3-0/8		35
A15E1		1							35
A15J2	A15J1	1-01 *	T15		1				36
A15J2	A15J2	1-02 *	T15S				3-4/8		36
A15J2		1							36
A15L1	A15N2	1-01 *	T14		1				37
A15L1	A15L1	1-02 *	T14S				2-6/8		37
A15L1		1							37

TC11.F RUN NAME	A/P PIN	HND288.V16(16) NAME	03/31/72 ORDER	BAY	0 DRAW	RV	PG	Y	X	Z	REMARKS	24-MAY-72 LENGTH	21112 EXCEPTIONS	PAGE 5 RUN NUMBER
A15P2		A14A1	1-01	*						1		4-2/8		38
A15P2		A15P2	1-02	*						1				38
A15S1		A14P1	1-01	*						1				39
A15S1		A15S1	1-02	*						1				39
A15V2		A14C1	1-01	*						1				40
A15V2		A15V2	1-02	*						1				40
A17E1		A16D2	1-01	*						1				41
A17E1		A17E1	1-02	*						1				41
A17J2		A16S1	1-01	*						1				42
A17J2		A17J2	1-02	*						1				42
A17L1		A16F2	1-01	*						1				43
A17L1		A17L1	1-02	*						1				43
A17P2		A16C1	1-01	*						1				44
A17P2		A17P2	1-02	*						1				44
A17S1		A16N2	1-01	*						1				45
A17S1		A17S1	1-02	*						1				45
A17V2		A16K1	1-01	*						1				46
A17V2		A17V2	1-02	*						1				46
A18D2		A18D2	1-01	*						1				47
A18D2		A19A1	1-02	*						1				47
A18E2		A18E2	1-01	*						1				48
A18E2		A19D1	1-02	*						1				48
A18F2		A18F2	1-01	*						1				49
A18F2		A19J1	1-02	*						1				49

TC11.F RUN NAME	A/P PIN	HND288.V16(16) NAME	03/31/72 ORDER	BAY	0 DRAW	RV	PG	Y	X	Z	REMARKS	24-MAY-72 LENGTH	21112 EXCEPTIONS	PAGE 6 RUN NUMBER
A18H2		A18H2	1-01	*						1				50
A18H2		A19L1	1-02	*						1				50
A18H2		A18J2	1-01	*						1				51
A18J2		A19F1	1-02	*						1				51
A18L2		A18L2	1-01	*						1				52
A18L2		A19K2	1-02	*						1				52
A18M2		A18M2	1-01	*						1				53
A18M2		A19H2	1-02	*						1				53
A18N2		A18N2	1-01	*						1				54
A18N2		A19E2	1-02	*						1				54
A21J2		A21D2	1-01	*						2				55
A21J2		A21J2	1-02	*						2				55
A21J2		A22F2	1-03	*						1				55
A21K2		A21E2	1-01	*						2				56
A21K2		A21K2	1-02	*						2				56
A21K2		A22H2	1-03	*						1				56
A23J2		A23D2	1-01	*						2				57
A23J2		A23J2	1-02	*						1				57
A23J2		A22N2	1-03	*						2				57
A23K2		A23E2	1-01	*						2				58
A23K2		A23K2	1-02	*						1				58
A23K2		A22P2	1-03	*						1				58
ADRS TO BUS		B08S1	1-01	*						1				59
ADRS TO BUS		B08N1	1-02	*						2				59
ADRS TO BUS		B08B1	1-03	*						1				59

TC11.F RUN NAME	A/P PIN	HND289.V16(16) NAME	03/31/72 ORDER	BAY ORDER	Q DRAW	RV PG	Y Y	X X	Z Z	REMARKS	24-MAY-72 LENGTH	21112 EXCEPTIONS	PAGE 9 RUN NUMBER
B13V2		B13V2		1-01 *		T04S			1				82
B13V2		C29B1		1-02 *							7-2/8		82
B15E1		B14D2		1-01 *		T15			1				83
B15E1		B15E1		1-02 *		T15S					2-4/8		83
B15J2		B14S1		1-01 *		T15			1				84
B15J2		B15J2		1-02 *		T15S					3-4/8		84
B15L1		B14F2		1-01 *		T15			1				85
B15L1		B15L1		1-02 *		T15S					3-0/8		85
B15P2		B14C1		1-01 *		T15			1				86
B15P2		B15P2		1-02 *		T15					4-0/8		86
B15S1		B14N2		1-01 *		T15S			1				87
B15S1		B15S1		1-02 *		T15S					2-6/8		87
B15V2		B14K1		1-01 *		T15S			1				88
B15V2		B15V2		1-02 *		T15S					3-6/8		88
B17E1		B16D2		1-01 *		T14			1				89
B17E1		B17E1		1-02 *		T14S					2-4/8		89
B17J2		B16S1		1-01 *		T14			1				90
B17J2		B17J2		1-02 *		T14S					3-4/8		90
B17L1		B16F2		1-01 *		T14			1				91
B17L1		B17L1		1-02 *		T14S					3-0/8		91
B17P2		B16C1		1-01 *		T14			1				92
B17P2		B17P2		1-02 *		T14S					4-0/8		92
B17S1		B16N2		1-01 *		T14			1				93
B17S1		B17S1		1-02 *		T14S					2-6/8		93

TC11.F RUN NAME	A/P PIN	HND289.V16(16) NAME	03/31/72 ORDER	BAY ORDER	Q DRAW	RV PG	Y Y	X X	Z Z	REMARKS	24-MAY-72 LENGTH	21112 EXCEPTIONS	PAGE 10 RUN NUMBER
B17V2		B16K1		1-01 *		T14			1				94
B17V2		B17V2		1-02 *		T14S					3-6/8		94
B18U2		B18U2		1-01 *		T03S			1				95
B18U2		D13P2		1-02 *							8-2/8		95
B19D2		B19D2		1-01 *		T12S			1				96
B19D2		B19E2		1-02 *		T12							96
B19D2		B12P1		1-03 *		T12					9-0/8		96
B20J2		A22V2		1-01 *		T12			1				97
B20J2		B20D2		1-02 *		T12							97
B20J2		B20J2		1-03 *		T12S			2		6-4/8		97
B20K2		B20K2		1-01 *		T12S			2				98
B20K2		B20E2		1-02 *		T12			1				98
B20K2		B22D2		1-03 *		T12					6-2/8		98
B21J2		B21D2		1-01 *		T12			2				99
B21J2		B21J2		1-02 *		T12S			1				99
B21J2		B22H2		1-03 *		T12					5-4/8		99
B21K2		B21E2		1-01 *		T12			2				100
B21K2		B21K2		1-02 *		T12S			1				100
B21K2		B22J2		1-03 *		T12					5-6/8		100
B23J2		B23D2		1-01 *		T12			2				101
B23J2		B23J2		1-02 *		T12S			1				101
B23J2		B22N2		1-03 *		T12					5-6/8		101
B23K2		B23E2		1-01 *		T12			2				102
B23K2		B23K2		1-02 *		T12S			1				102
B23K2		B22P2		1-03 *		T12					5-6/8		102
B24D1		B24D1		1-01 *		T24S			1				103
B24D1		C24B1		1-02 *		T24					4-4/8		103

TC11.F RUN NAME	A/P PIN	HND288.V15(16) NAME	03/31/72 ORDER	0 DRAW	RV	PG	Y	X	Z	REMARKS	24-MAY-72 LENGTH	21112 EXCEPTIONS	PAGE 13 RUN NUMBER
B006	H	A05K1	1-01 *	T135					1				123
B006	H	A06J1	1-02 *	T13					2				123
B006	H	A07U1	1-03 *	T21S/T22S					1				123
B006	H	A12P1	1-04 *	T14					2				123
B006	H	A13U2	1-05 *	T16					1				123
B006	H	B13M2	1-06 *	T10					1		18-6/8		123
B006	L	A06K1	1-01 *	T138					1				124
B006	L	B13L2	1-02 *	T10					1		7-4/8		124
B007	H	A05L2	1-01 *	T135					2				125
B007	H	A07M2	1-02 *	T21S/T22S					1				125
B007	H	A13M1	1-03 *	T13					1		8-2/8		125
B008	H	A12A1	1-01 *	T14					1				126
B008	H	A13E1	1-02 *	T14					2				126
B008	H	A05M1	1-03 *	T135					1				126
B008	H	B07F1	1-04 *	T21S/T22S					2				126
B008	H	D04D1	1-05 *	T13					1				126
B008	H	D04H1	1-06 *	T04					1		25-6/8		126
B008	L	D04F2	1-01 *	T135					1				127
B008	L	D04K2	1-02 *	T04					1		2-6/8		127
B009	H	A13R2	1-01 *	T16					2				128
B009	H	A12V1	1-02 *	T11					1				128
B009	H	A07V2	1-03 *	T21S/T22S					2				128
B009	H	A05N2	1-04 *	T135					1				128
B009	H	D04N2	1-05 *	T04					2				128
B009	H	D04V1	1-06 *	T04					1		25-2/8		128
B010	H	A12B1	1-01 *	T11					2				129
B010	H	A13J2	1-02 *	T15					1				129
B010	H	A05P1	1-03 *	T135					2				129
B010	H	B07E2	1-04 *	T21S/T22S					1				129
B010	H	D04R2	1-05 *	T04					2				129
B010	H	D04V2	1-06 *	T04					1		27-2/8		129

TC11.F RUN NAME	A/P PIN	HND288.V15(16) NAME	03/31/72 ORDER	0 DRAW	RV	PG	Y	X	Z	REMARKS	24-MAY-72 LENGTH	21112 EXCEPTIONS	PAGE 14 RUN NUMBER
B011	H	A13B1	1-01 *	T14					1				130
B011	H	A11P1	1-02 *	T11					2				130
B011	H	A07U1	1-03 *	T13					1				130
B011	H	A07J2	1-04 *	T21S/T22S					2				130
B011	H	A05R2	1-05 *	T135					1				130
B011	H	D04D1	1-06 *	T04					1		23-6/8		130
B011	L	A05V1	1-01 *	T135					1				131
B011	L	D04E1	1-02 *	T04					1		9-6/8		131
B012	H	A17D1	1-01 *	T16					1				132
B012	H	A12U1	1-02 *	T11					2				132
B012	H	A05S1	1-03 *	T135					1				132
B012	H	B07L2	1-04 *	T21S/T22S					1		16-6/8		132
B013	H	B07F2	1-01 *	T21S/T22S					2				133
B013	H	A05T2	1-02 *	T135					1				133
B013	H	A14M2	1-03 *	T11					2				133
B013	H	B15D1	1-04 *	T13					2		14-6/8		133
B014	H	A05U1	1-01 *	T135					2				134
B014	H	B07N1	1-02 *	T21S/T22S					1		12-6/8		134
B014	H	B17O1	1-03 *	T14					1				134
B015	H	A13N2	1-01 *	T16					2				135
B015	H	A05V2	1-02 *	T135					1				135
B015	H	A06U2	1-03 *	T13					2				135
B015	H	B07M1	1-04 *	T21S/T22S					1		14-4/8		135
B015	L	A05V2	1-01 *	T135					1				136
B015	L	D05U2	1-02 *	T03					1		10-2/8		136
B0C LO	H	B12P2	1-01 *	T08					1				137
B0C LO	H	A06J2	1-02 *	T08S					1		7-0/8		137
B0C LO	H	B05E1	1-01 *	T20S					1				138
B0C IN	H	C05U2	1-02 *						1		6-4/8		138

TC11 F RUN NAME	HND288 V16 (16) 03/31/72 A/P PIN ORDER NAME	Q	DRAW RV PG Y	X	Z	REMARKS	24-MAY-72 LENGTH	2112 EXCEPTIONS	PAGE 15 RUN NUMBER
BG OUT	B05A1	1-01 *	T20S		1				139
BG OUT	C05V2	1-02 *					7-2/8		139
BG OUT		1							139
BINIT	B06J1	1-01 *	T08		1				140
BINIT	A07D1	1-02 *	T22		2				140
BINIT	A12H1	1-03 *	T11		1				140
BINIT	A12J2	1-04 *	T11		2				140
BINIT	B12Y2	1-05 *	T08		1				140
BINIT	C11U1	1-06 *	T08S		1				140
BINIT		1					24-6/8		140
BINIT		1							140
BINIT	A11A1	1-01 *	T10-3		2				141
BINIT	A11K2	1-02 *	T10/T12=2		1				141
BINIT	C11K1	1-03 *	T08S		2				141
BINIT	C11V1	1-04 *	T08		1				141
BINIT	D08U2	1-05 *	T03		1				141
BINIT	D17R2	1-06 *	T09		2				141
BINIT	D17K1	1-07 *	T09		1				141
BINIT	D17L1	1-08 *	T02		2				141
BINIT	C20F1	1-08 *					37-0/8		141
BINIT		1							141
BLKM(0)	B11F1	1-01 *	T03S		1				142
BLKM(0)	D15S2	1-02 *	T03				9-6/8		142
BLKM(1)		1							142
BLKM(1)	A05L1	1-01 *	T17		1				143
BLKM(1)	B11E1	1-02 *	T03S				4-6/8		143
BLKM(1)		1							143
BSSYN	A06E1	1-01 *	T08S		1				144
BSSYN	A06E2	1-02 *	T08		2				144
BSSYN	B00A1	1-03 *	T08						144
BSSYN		1					7-2/8		144
BSSYN	A05F2	1-01 *	T08S		1				145
BSSYN	B03C1	1-02 *	T19				5-0/8		145
BSSYN		1							145
BUS A00	B01H2	1-01 *	T28S		2				146
BUS A00	B02H2	1-02 *	T20S		1				146
BUS A00	B04H2	1-03 *	T19				6-0/8		146
BUS A00		1							146

TC11 F RUN NAME	HND288 V16 (16) 03/31/72 A/P PIN ORDER NAME	Q	DRAW RV PG Y	X	Z	REMARKS	24-MAY-72 LENGTH	2112 EXCEPTIONS	PAGE 16 RUN NUMBER
BUS A01	A07J2	1-01 *	T21S		1				147
BUS A01	B04H1	1-02 *	T19		2				147
BUS A01	B02H1	1-03 *	T20S		1				147
BUS A01	B01H1	1-04 *	T20S				11-6/8		147
BUS A01		1							147
BUS A02	A07L1	1-01 *	T21S		1				148
BUS A02	B04F1	1-02 *	T19		2				148
BUS A02	B02J2	1-03 *	T20S		1				148
BUS A02	B01J2	1-04 *	T20S				11-2/8		148
BUS A02		1							148
BUS A03	A07K1	1-01 *	T21S		2				149
BUS A03	A06V1	1-02 *	T19		1				149
BUS A03	B02J1	1-03 *	T20S		2				149
BUS A03	B01J1	1-04 *	T20S				11-4/8		149
BUS A03		1							149
BUS A04	A07V1	1-01 *	T21S		1				150
BUS A04	B04U2	1-02 *	T19		2				150
BUS A04	B02K2	1-03 *	T20S		1				150
BUS A04	B01K2	1-04 *	T20S				12-0/8		150
BUS A04		1							150
BUS A05	A07S1	1-01 *	T21S		1				151
BUS A05	B04V1	1-02 *	T19		2				151
BUS A05	B02K1	1-03 *	T20S		1				151
BUS A05	B01K1	1-04 *	T20S				12-6/8		151
BUS A05		1							151
BUS A06	A07R2	1-01 *	T21S		1				152
BUS A06	B04U1	1-02 *	T19		2				152
BUS A06	B02L2	1-03 *	T20S		1				152
BUS A06	B01L2	1-04 *	T20S				12-4/8		152
BUS A06		1							152
BUS A07	A07P2	1-01 *	T21S		1				153
BUS A07	B04P2	1-02 *	T19		2				153
BUS A07	B02L1	1-03 *	T20S		1				153
BUS A07	B01L1	1-04 *	T20S				12-2/8		153
BUS A07		1							153
BUS A08	B01M2	1-01 *	T20S		2				154
BUS A08	B02M2	1-02 *	T20S		1				154
BUS A08	B04N2	1-03 *	T19						154
BUS A08	B01K1	1-04 *	T21S				10-0/8		154
BUS A08		1							154

TC11.F RUN NAME	HND288.V16(16) 03/31/72				REMARKS	LENGTH	EXCEPTIONS	PAGE 19 RUN NUMBER
	A/P	PIN	ORDER	PIN				
BUS BR4	L	B01D2	1-01 *	1	T205			174
BUS BR4	L	B02D2	1-02 *	1	T205			174
BUS BR4	L	C04H2	1-03 *	1	T20	8-4/8		174
BUS BR5	L	B01C1	1-01 *	2	T205			175
BUS BR5	L	B02C1	1-02 *	1	T205			175
BUS BR5	L	C05F2	1-03 *	1	T20	8-6/8		175
BUS BR6	L	A01U2	1-01 *	2	T205			176
BUS BR6	L	A02U2	1-02 *	1	T205			176
BUS BR6	L	C05E2	1-03 *	1	T205	9-4/8		176
BUS BR7	L	A01T2	1-01 *	2	T205			177
BUS BR7	L	A02T2	1-02 *	1	T205			177
BUS BR7	L	C05D2	1-03 *	1	T20	9-4/8		177
BUS BR7	L			1				177
BUS C0	L	B01U2	1-01 *	2	T205			178
BUS C0	L	B02U2	1-02 *	1	T205			178
BUS C0	L	B05J2	1-03 *	1	T19	6-6/8		178
BUS C1	L	B01T2	1-01 *	2	T205			179
BUS C1	L	B02T2	1-02 *	1	T205			179
BUS C1	L	B05P2	1-03 *	2	T19			179
BUS C1	L	B05D1	1-04 *	1	T065	10-0/8		179
BUS D00	L	A01C1	1-01 *	2	T205			180
BUS D00	L	A02C1	1-02 *	1	T205			180
BUS D00	L	A04A1	1-03 *	2	T135			180
BUS D00	L	A05A1	1-04 *	1	T13	9-0/8		180
BUS D01	L	A01D2	1-01 *	2	T205			181
BUS D01	L	A02D2	1-02 *	1	T205			181
BUS D01	L	A04C1	1-03 *	2	T135			181
BUS D01	L	A05C1	1-04 *	1	T13	8-4/8		181

TC11.F RUN NAME	HND288.V16(16) 03/31/72				REMARKS	LENGTH	EXCEPTIONS	PAGE 20 RUN NUMBER
	A/P	PIN	ORDER	PIN				
BUS D02	L	A01D1	1-01 *	2	T205			182
BUS D02	L	A02D1	1-02 *	1	T205			182
BUS D02	L	A04D1	1-03 *	2	T135			182
BUS D02	L	A05D1	1-04 *	1	T13			182
BUS D02	L	B05E2	1-05 *	1	T195	14-0/8		182
BUS D03	L	A01E2	1-01 *	2	T205			183
BUS D03	L	A02E2	1-02 *	1	T205			183
BUS D03	L	A04E2	1-03 *	2	T135			183
BUS D03	L	A05E2	1-04 *	1	T13			183
BUS D03	L	B05L1	1-05 *	1	T195	14-4/8		183
BUS D04	L	A01E1	1-01 *	2	T205			184
BUS D04	L	A02E1	1-02 *	1	T205			184
BUS D04	L	A04F1	1-03 *	2	T135			184
BUS D04	L	A05F1	1-04 *	1	T13			184
BUS D04	L	B05N2	1-05 *	1	T195	15-0/8		184
BUS D05	L	A01F2	1-01 *	2	T205			185
BUS D05	L	A02F2	1-02 *	1	T205			185
BUS D05	L	A04H2	1-03 *	2	T135			185
BUS D05	L	B05F1	1-04 *	1	T13			185
BUS D05	L		1-05 *	1	T195	13-6/8		185
BUS D06	L	A01F1	1-01 *	2	T205			186
BUS D06	L	A02F1	1-02 *	1	T205			186
BUS D06	L	A04J1	1-03 *	2	T135			186
BUS D06	L	A05J1	1-04 *	1	T13			186
BUS D06	L	B05P2	1-05 *	1	T195	14-0/8		186
BUS D07	L	A01H2	1-01 *	2	T205			187
BUS D07	L	A02H2	1-02 *	1	T205			187
BUS D07	L	A04K2	1-03 *	2	T135			187
BUS D07	L	A05K2	1-04 *	1	T13			187
BUS D07	L	B05H1	1-05 *	1	T195	14-0/8		187

TC11.F RUN NAME	HND288.V16(16) A/P PIN NAME	03/31/72 ORDER PIN	BAY ORDER	Q DRAW	RV PG	Y	X	Z	REMARKS	24-MAY-72 LENGTH	21112 EXCEPTIONS	PAGE 21 RUN NUMBER
BUS D08	A01H1		1-01	T208				2				188
BUS D08	A02H1		1-02	T208				1				188
BUS D08	A04L1		1-03	T135				2				188
BUS D08	B05K1		1-04	T135				1				188
BUS D08			1-05	T199				1		14-2/8		188
BUS D09	A01J2		1-01	T209				2				189
BUS D09	A02V2		1-02	T205				1				189
BUS D09	A04M2		1-03	T135				2				189
BUS D09	A05M2		1-04	T13				1		9-0/8		189
BUS D10	A01J1		1-01	T205				2				190
BUS D10	A02J1		1-02	T205				1				190
BUS D10	A04N1		1-03	T135				2				190
BUS D10	A05N1		1-04	T13				1		9-0/8		190
BUS D11	A01K2		1-01	T205				2				191
BUS D11	A02K2		1-02	T205				1				191
BUS D11	A04P2		1-03	T139				2				191
BUS D11	A05P2		1-04	T13				1		9-0/8		191
BUS D12	A01K1		1-01	T205				2				192
BUS D12	A02K1		1-02	T205				1				192
BUS D12	A04R1		1-03	T138				2				192
BUS D12	A05R1		1-04	T13				1		9-2/8		192
BUS D13	A01L2		1-01	T205				2				193
BUS D13	A02L2		1-02	T205				1				193
BUS D13	A04S2		1-03	T138				2				193
BUS D13	A05S2		1-04	T13				1		9-0/8		193
BUS D14	A01L1		1-01	T205				2				194
BUS D14	A02L1		1-02	T205				1				194
BUS D14	A04V1		1-03	T138				2				194
BUS D14	A05V1		1-04	T13				1		9-2/8		194

TC11.F RUN NAME	HND288.V16(16) A/P PIN NAME	03/31/72 ORDER PIN	BAY ORDER	Q DRAW	RV PG	Y	X	Z	REMARKS	24-MAY-72 LENGTH	21112 EXCEPTIONS	PAGE 22 RUN NUMBER
BUS D15	A01M2		1-01	T205				2				195
BUS D15	A02M2		1-02	T205				1				195
BUS D15	A04U2		1-03	T135				2				195
BUS D15	A05U2		1-04	T13				1		9-2/8		195
BUS DC LO	A06H2		1-01	T08				1				196
BUS DC LO	B02F2		1-02	T208				2				196
BUS DC LO	B01F2		1-03	T209				1		8-4/8		196
BUS DC LO			1-04					2				196
BUS INTR	A01A1		1-01	T205				2				197
BUS INTR	A02A1		1-02	T208				1		7-2/8		197
BUS INTR	A00C1		1-03	T08				2				197
BUS INTR			1-04					1				197
BUS INTR	A01B1		1-01	T205				2				198
BUS INTR	A02B1		1-02	T205				1				198
BUS INTR	B05M1		1-03	T199				2		9-4/8		198
BUS INTR			1-04					1				198
BUS MSYN	B02V1		1-01	T205				2				199
BUS MSYN	B01V1		1-02	T205				1				199
BUS MSYN	B04E1		1-03	T19				2				199
BUS MSYN	B00E1		1-04	T005				1		10-4/8		199
BUS NPC IN	A01U1		1-01	T205				1				200
BUS NPC IN	B05B1		1-02					2				200
BUS NPC IN			1-03					1		4-6/8		200
BUS NPC IN			1-04					2				200
BUS NPC OUT	A02U1		1-01	T20				1				201
BUS NPC OUT	B05V2		1-02					2		6-0/8		201
BUS NPC OUT			1-03					1				201
BUS NPC OUT			1-04					2				201
BUS NPR	A01S2		1-01	T205				2				202
BUS NPR	A02S2		1-02	T205				1				202
BUS NPR	B05J1		1-03					2				202
BUS NPR	B05U2		1-04					1		11-0/8		202
BUS NPR			1-01					2				202
BUS PA	A01M1		1-01	T205				1				203
BUS PA	A02M1		1-02					2		2-6/8		203
BUS PA			1-03					1				203
BUS PA			1-04					2				203

TC11.F RUN NAME	HND288.V16(16) 03/31/72 A/P PIN NAME	ORDER PIN	BAY ORDER	Q	DRAM RV PG Y	X	Z	REMARKS	24-MAY-72 LENGTH	21112 EXCEPTIONS	PAGE 23 RUN NUMBER
BUS PB	A01N2		1-01 *		T20S		1				204
BUS PB	A02N2		1-02 *		T20S		1				204
BUS PB			1						2-6/8		204
BUS REQUEST	B05P1		1-01 *		T20		1				205
BUS REQUEST	C05J2		1-02 *				1		4-4/8		205
BUS REQUEST			1								205
BUS SACK	A01R2		1-01 *		T20S		2				206
BUS SACK	A02R2		1-02 *		T20S		1				206
BUS SACK	B05T2		1-03 *		T19S		1				206
BUS SACK			1						8-6/8		206
BUS SSSYN	A06D1		1-01 *		T08		2				207
BUS SSSYN	B09K1		1-02 *		T08S		1				207
BUS SSSYN	B02U1		1-03 *		T20S		2				207
BUS SSSYN	B01U1		1-04 *		T20S		2				207
BUS SSSYN			1						14-4/8		207
BUS TO DAT	B17C1		1-01 *		T14		1				208
BUS TO DAT	B15C1		1-02 *		T15		1				208
BUS TO DAT	A15M2		1-03 *		T16		1				208
BUS TO DAT	A17C1		1-04 *		T16		1				208
BUS TO DAT	A15C2		1-05 *		T14		1				208
BUS TO DAT	A15C2		1-06 *		T14		1				208
BUS TO DAT	A15AD1		1-07 *		T14		1				208
BUS TO DAT	A15AH2		1-08 *		T15		1				208
BUS TO DAT	A15AH1		1-09 *		T14		1				208
BUS TO DAT	A15J1		1-10 *		T15		1				208
BUS TO DAT	A15J2		1-11 *		T15		1				208
BUS TO DAT	A15J2		1-12 *		T15		1				208
BUS TO DAT	A15J2		1-13 *		T15		1				208
BUS TO DAT	A15T2		1-14 *		T16		1				208
BUS TO DAT	B15A1		1-15 *		T16		1				208
BUS TO DAT	B15D1		1-16 *		T16		1				208
BUS TO DAT	C15S1		1-17 *		T09S		1				208
BUS TO DAT			1						53-0/8		208
BUS TO MAINT	A11B1		1-01 *		T10		1				209
BUS TO MAINT	B12K1		1-02 *		T09S		1				209
BUS TO MAINT	B13M2		1-03 *		T10		1				209
BUS TO MAINT	B13J2		1-04 *		T10		1				209
BUS TO MAINT			1						12-2/8		209

TC11.F RUN NAME	HND288.V16(16) 03/31/72 A/P PIN NAME	ORDER PIN	BAY ORDER	Q	DRAM RV PG Y	X	Z	REMARKS	24-MAY-72 LENGTH	21112 EXCEPTIONS	PAGE 24 RUN NUMBER
BUS TO RWB	B12N1		1-01 *		T09S		2				210
BUS TO RWB	C17E1		1-02 *		T06		1				210
BUS TO RWB	C17J1		1-03 *		T06		2				210
BUS TO RWB	C17E2		1-04 *		T06		1				210
BUS TO RWB			1						11-0/8		210
BUS TO TCBA	B07R1		1-01 *		T21		2				211
BUS TO TCBA	B07V2		1-02 *		T21		1				211
BUS TO TCBA	C06M2		1-03 *		T09S		1				211
BUS TO TCBA			1						7-2/8		211
BUS TO TCCM	A12K2		1-01 *		T11		2				212
BUS TO TCCM	A12S1		1-02 *		T11		1				212
BUS TO TCCM	C11E1		1-03 *		T09S		1				212
BUS TO TCCM			1						9-6/8		212
BUS TO TCCM+1	A12F2		1-01 *		T11		2				213
BUS TO TCCM+1	A11L2		1-02 *		T11		1				213
BUS TO TCCM+1	A11N1		1-03 *		T11		2				213
BUS TO TCCM+1	C11F2		1-04 *		T09S		1				213
BUS TO TCCM+1	D06T2		1-05 *		T03		1				213
BUS TO TCCM+1			1						20-2/8		213
BUS TO TCWC	A07E2		1-01 *		T22		1				214
BUS TO TCWC	B07S1		1-02 *		T22		2				214
BUS TO TCWC	C06H2		1-03 *		T09S		1				214
BUS TO TCWC			1						10-6/8		214
BUS TO XDAT	A15C1		1-01 *		T14		2				215
BUS TO XDAT	A15P1		1-02 *		T15		1				215
BUS TO XDAT	B12K2		1-03 *		T09S		1				215
BUS TO XDAT			1						8-6/8		215
C0(0)	C15B1		1-01 *		T06		1				216
C0(0)	C15H1		1-02 *		T06		2				216
C0(0)	C15N1		1-03 *		T06		1				216
C0(0)	D15M2		1-04 *		T03		2				216
C0(0)	D15V2		1-05 *		T028		1				216
C0(0)	D25K2		1-06 *		T04		1				216
C0(0)	D22A1		1-07 *		T05		1				216
C0(0)			1						25-2/8		216

TC11.F R0N NAME	A/P PIN	HND288.V16(16) ORDER PIN	03/31/72 BAY ORDER	Q DRAW RV	PG Y	X	Z	REMARKS	24-MAY-72 LENGTH	21112 EXCEPTIONS	PAGE 25 RUN NUMBER
C0(1)	H	C22C1	1-01 *	T02			1		22-4/8		217
C0(1)	H	C22E2	1-02 *	T02			2				217
C0(1)	H	C22K2	1-03 *	T03			1				217
C0(1)	H	C22K1	1-04 *	T02			2				217
C0(1)	H	C22M2	1-05 *	T02			1				217
C0(1)	H	C22R1	1-06 *	T02			1				217
C0(1)	H	C22T2	1-07 *	T02			1				217
C0(1)	H	D19U2	1-08 *	T02S			1				217
C04A1		C04A1	1-01 *	T09			1				218
C04A1		C04C1	1-02 *	T08			1		2-4/8		218
C04A1		C04A1	1-01 *	T08			1				219
C04D2		C04D2	1-01 *				1		2-4/8		219
C04D2		C04D2	1-02 *				1				219
C04K1		C04K1	1-01 *	T08S			2				220
C04K1		C04S1	1-02 *	T08			1				220
C04K1		C04U1	1-03 *	T08			1		5-4/8		220
C04V1		C04P1	1-01 *				1				221
C04V1		C04V1	1-02 *				1		3-0/8		221
C06L2		C06L2	1-01 *	T02S			1				222
C06L2		D19A1	1-02 *	T02			1		9-2/8		222
C06L2			1-01 *				1				222
C06M1		C06M1	1-01 *	T02S			1				223
C06M1		D19D1	1-02 *	T02			1		9-6/8		223
C06M1			1-01 *				1				223
C06U1		C07U2	1-01 *	T09			2				224
C06U1		C06U1	1-02 *	T09S			1				224
C06U1		C09E1	1-03 *	T09			1		7-4/8		224
C07F2		C06C1	1-01 *	T09			1				225
C07F2		C07F2	1-02 *	T09S			1		3-4/8		225
C07F2			1-01 *				1				225
C07K1		B12M1	1-01 *	T09			1				226
C07K1		C07K1	1-02 *	T09S			1		5-6/8		226

TC11.F R0N NAME	A/P PIN	HND288.V16(16) ORDER PIN	03/31/72 BAY ORDER	Q DRAW RV	PG Y	X	Z	REMARKS	24-MAY-72 LENGTH	21112 EXCEPTIONS	PAGE 26 RUN NUMBER
C07K2		C08N1	1-01 *	T08			1		3-2/8		227
C07K2		C07K2	1-02 *	T08S			1				227
C07K2			1-01 *				1				227
C07N1		B12L2	1-01 *	T19			1				228
C07N1		C07N1	1-02 *	T19S			1		6-2/8		228
C07N1			1-01 *				1				228
C07N2		C07N2	1-01 *	T02S			1				229
C07N2		D19F2	1-02 *	T02			1		9-2/8		229
C07N2			1-01 *				1				229
C07S2		C07E2	1-01 *	T09			1				230
C07S2		C07S2	1-02 *	T09S			1		3-4/8		230
C07S2			1-01 *				1				230
C07V2		C07V2	1-01 *	T09S			1				231
C07V2		D17U2	1-02 *	T09			1		8-2/8		231
C07V2			1-01 *				1				231
C08D1		C08D1	1-01 *	T09S			1				232
C08D1		C11E2	1-02 *	T09			1		4-0/8		232
C08D1			1-01 *				1				232
C08J1		C08J1	1-01 *	T09S			1				233
C08J1		C11D1	1-02 *	T09			1		4-0/8		233
C08J1			1-01 *				1				233
C08N1		B12H2	1-01 *	T09			2				234
C08N1		B12J1	1-02 *	T09			1				234
C08N1		B12L1	1-03 *	T09			2				234
C08N1		C08N1	1-04 *	T09S			1		11-0/8		234
C08N1			1-01 *				1				234
C08S2		C08V1	1-01 *	T09			1				235
C08S2		C08S2	1-02 *	T09S			1		3-6/8		235
C08S2			1-01 *				1				235
C08U1		C08U1	1-01 *	T08S			1				236
C08U1		C10N2	1-02 *	T08			1		4-0/8		236
C08U1			1-01 *				1				236
C08V1		C10N1	1-01 *	T09			1				237
C08V1		C10M1	1-02 *	T09			2				237
C08V1		C08V1	1-03 *	T09S			1		6-0/8		237
C08V1			1-01 *				1				237

TC11.F RUN NAME	A/P	HND288.V16(16) 03/31/72 PIN ORDER NAME	Q	DRAH RV PG Y	X	Z	REMARKS	24-MAY-72 LENGTH	2112 EXCEPTIONS	PAGE 31 RUN NUMBER
C28V2		C19K1		T05		1		3-6/8		279
C28V2		C28V2		T05S		1				279
C28V2						1				279
C21D1		C10K2		T08		1		10-4/8		280
C21D1		C10L2		T08		2				280
C21D1		C21D1		T08S		1				280
C21D1						1				280
C21J1		C10M2		T08		1		8-0/8		281
C21J1		C21J1		T08S		1				281
C21J1						1				281
C21N1		C28R1		T02		1		3-0/8		282
C21N1		C21N1		T02S		1				282
C21N1						1				282
C21V1		A19F2		T03		1		10-4/8		283
C21V1		C21V1		T03S		1				283
C21V1						1				283
C23E1		C17J2		T04		1		5-2/8		284
C23E1		C23E1		T04S		1				284
C23E1						1				284
C23J2		C23J2		T02S		1		5-2/8		285
C23J2		D22H2		T02		1				285
C23J2						1				285
C23L1		C07M2		T02		1		10-2/8		286
C23L1		C23L1		T02S		1				286
C23L1						1				286
C23S1		C23E2		T02		1		3-6/8		287
C23S1		C23S1		T02S		1				287
C23S1						1				287
C28	H	C28E2		T02		2				288
C28	H	C21M1		T02		1				288
C28	H	D18R2		T07		2				288
C28	H	D18U1		T02S		1		13-2/8		288
C28	H					1				288
C3(0)	H	C22A1		T02S		1		3-6/8		289
C3(0)	H	C22L2		T02		1				289
C3(0)	H					1				289

TC11.F RUN NAME	A/P	HND288.V16(16) 03/31/72 PIN ORDER NAME	Q	DRAH RV PG Y	X	Z	REMARKS	24-MAY-72 LENGTH	2112 EXCEPTIONS	PAGE 32 RUN NUMBER
C3(1)	H	C23J2		T02S		2				290
C3(1)	H	C19F1		T05		1				290
C3(1)	H	C19S1		T05		2				290
C3(1)	H	D19L2		T07		2				290
C3(1)	H	D19E2		T05		1				290
C3(1)	H	D19P1		T03		1				290
C3(1)	H	C03L2		T02		1		25-4/8		290
C3(1)	H					1				290
CLEAR BUS	H	B06P2		T08S		2				291
CLEAR BUS	H	C07M2		T08		1				291
CLEAR BUS	H	C22A1		T08		1		13-6/8		291
CLEAR BUS	H					1				291
CLEAR BUS	L	B06N2		T08S		1		4-6/8		292
CLEAR BUS	L	B11J1		T08		1				292
CLEAR BUS	L					1				292
CLEAR DAT	L	A18D1		T16		2				293
CLEAR DAT	L	A18D1		T16		1				293
CLEAR DAT	L	A18H2		T16		2				293
CLEAR DAT	L	A18L1		T16		1				293
CLEAR DAT	L	A18P2		T16		2				293
CLEAR DAT	L	A18T2		T16		1				293
CLEAR DAT	L	B18D1		T14		1				293
CLEAR DAT	L	B18H2		T14		1				293
CLEAR DAT	L	B18L1		T14		1				293
CLEAR DAT	L	B18P2		T14		1				293
CLEAR DAT	L	B18T2		T14		1				293
CLEAR DAT	L	B19D1		T15		1				293
CLEAR DAT	L	B19H2		T15		1				293
CLEAR DAT	L	B19L1		T15		1				293
CLEAR DAT	L	B19P2		T15		1				293
CLEAR DAT	L	B19T2		T15		1				293
CLEAR DAT	L	B20D1		T15		1				293
CLEAR DAT	L	B20H2		T15		1				293
CLEAR DAT	L	B20L1		T15		1				293
CLEAR DAT	L	B20P2		T15		1				293
CLEAR DAT	L	B20T2		T15		1				293
CLEAR DAT	L	C21H1		T09S		1		49-0/8		293
CLEAR DAT	L					1				293
CLEAR RWB2=0	L	C09J1		T09S		1		5-0/8		294
CLEAR RWB2=0	L	C14K2		T06		1				294
CLEAR RWB2=0	L					1				294
CLEAR XDAT	L	A18P2		T14		1				295
CLEAR XDAT	L	A18T2		T15		2				295
CLEAR XDAT	L	C09S1		T09S		1		10-6/8		295
CLEAR XDAT	L					1				295

TC11.F RUN NAME	HND288.V16(16) PIN	03/31/72 BAY	0 DRAW	RV	PG	Y	X	Z	REMARKS	24-MAY-72 LENGTH	21112 EXCEPTIONS	PAGE 34 RUN NUMBER
CLK(0)	A14N1	1-01 *	T105					1				296
CLK(0)	A14K1	1-02 *	T10					1				296
CLK(0)	A15T2	1-03 *										296
CLK(0)	D08A1	1-04 *										296
CLK(1)	A14M1	1-01 *	T108					1		5-4/8		297
CLK(1)	B09D1	1-02 *	T18									297
CLOCK DAT	B16R1	1-01 *	T14					2				298
CLOCK DAT	B16M2	1-02 *	T14					2				298
CLOCK DAT	B16J1	1-03 *	T14					2				298
CLOCK DAT	B14E2	1-04 *	T14					2				298
CLOCK DAT	B14B1	1-05 *	T14					2				298
CLOCK DAT	A16M2	1-06 *	T16					2				298
CLOCK DAT	A16J1	1-07 *	T16					2				298
CLOCK DAT	A16E2	1-08 *	T16					2				298
CLOCK DAT	A16B1	1-09 *	T16					2				298
CLOCK DAT	A14M2	1-10 *	T16					2				298
CLOCK DAT	A14J1	1-11 *	T16					2				298
CLOCK DAT	A14E2	1-12 *	T16					2				298
CLOCK DAT	A14B1	1-13 *	T16					2				298
CLOCK DAT	A14M1	1-14 *	T15					2				298
CLOCK DAT	B14E1	1-15 *	T15					2				298
CLOCK DAT	B14J1	1-16 *	T15					2				298
CLOCK DAT	B14M2	1-17 *	T15					2				298
CLOCK DAT	B14B1	1-18 *	T15					2				298
CLOCK DAT	B14M1	1-19 *	T08					2				298
CLOCK DAT	C15B1	1-01 *	T06					2		5-0/8		299
CLOCK DAT	C15D2	1-02 *	T06					2				299
CLOCK DAT	C15H1	1-03 *	T06					2				299
CLOCK DAT	C15N1	1-04 *	T06					2				299
CLOCK DAT	C15S2	1-05 *	T06					2				299
CLOCK DAT	C15L2	1-06 *	T06					2				299
CLOCK DAT	C15L1	1-07 *	T07					2		19-4/8		299
CON ALL HALT	A19T2	1-01 *	T12					1				300
CON ALL HALT	A20J1	1-02 *	T12					1		3-4/8		300
CON FWD REM	A19U1	1-01 *	T12					1		3-6/8		301
CON FWD REM	A20M1	1-02 *	T12									301
CON GO	A19S1	1-01 *	T12					1		4-0/8		302
CON GO	A20D1	1-02 *	T12									302
CON POWER UP DLY	A19V2	1-01 *	T12					1				303
CON POWER UP DLY	A20L1	1-02 *	T12							3-4/8		303
CON REV REM	A19R2	1-01 *	T12					1		3-4/8		304
CON REV REM	A20E1	1-02 *	T12									304
CON STOP	A19P1	1-01 *	T12					1		4-0/8		305
CON STOP	A20B1	1-02 *	T12									305
CON STOP	A08F2	1-01 *	T04					1		17-0/8		306
CON STOP	B11N2	1-02 *	T04					2				306
CON STOP	D04B1	1-03 *	T04					2				306
CON STOP	D07A1	1-04 *	T04					1				306
CON STOP	D04P2	1-01 *	T04					1		5-2/8		307
CON STOP	D04P1	1-02 *	T04					2				307
CON STOP	D04K1	1-03 *	T04									307
CON STOP	D04S1	1-01 *	T04					2				308
CON STOP	D04S2	1-02 *	T04					1				308
CON STOP	D04T2	1-03 *	T04							5-0/8		308
CON STOP	D05A1	1-01 *	T04					1				309
CON STOP	D05A1	1-02 *	T04							2-4/8		309
CON STOP	D05D1	1-01 *	T04					1				310
CON STOP	D05D1	1-02 *	T04							2-4/8		310
CON STOP	D05F2	1-01 *	T04					1				311
CON STOP	D05F2	1-02 *	T04							12-4/8		311
CON STOP	D05M2	1-01 *	T04					1				312
CON STOP	D05M2	1-02 *	T04							2-6/8		312

TC11.F RUN NAME	A/P PIN NAME	HND288.V16(16) ORDER PIN	03/31/72 BAY ORDER	0 DRAW RV PG Y	X	Z	REMARKS	24-MAY-72 LENGTH	21112 EXCEPTIONS	PAGE 37 RUN NUMBER
D14H2	B49T2		1-01 *	T04		1		7-0/8		335
D14H2	D14H2		1-02 *	T04S						335
D14H2			1							335
D14M2	D14M2		1-01 *	T04S		1		2-4/8		336
D14M2	D14M2		1-02 *	T04						336
D14M2			1							336
D14P1	D14P1		1-01 *	T04S		1		3-0/8		337
D14P1	D14P1		1-02 *	T04						337
D14P1			1							337
D12V2	C21T2		1-01 *	T03		1		8-0/8		338
D12V2	D12V2		1-02 *	T03S						338
D12V2			1							338
D13N1	D13N1									339
D13N2	D13N2		1-01 *	T03S		1		4-0/8		340
D13N2	D13N2		1-02 *	T03						340
D13N2			1							340
D13S1	A14E2		1-01 *	T03		1		12-0/8		341
D13S1	D13S1		1-02 *	T03S						341
D13S1			1							341
D14D1	C10P1		1-01 *	T07		1		8-0/8		342
D14D1	C10U1		1-02 *	T07						342
D14D1	D14D1		1-03 *	T07S		2				342
D14D1			1							342
D14H2	D14H2		1-01 *	T03S		1		5-6/8		343
D14H2	D20L2		1-02 *	T03						343
D14H2			1							343
D14U1	C10K1		1-01 *	T07		1		8-4/8		344
D14U1	C10K1		1-02 *	T07						344
D14U1	D14U1		1-03 *	T07S		2				344
D14U1			1							344
D14M2	D14M2		1-01 *	T07S		1		6-4/8		345
D14M2	C19U2		1-02 *	T07						345
D14M2			1							345
D14U1	D07T2		1-01 *	T03		1		5-4/8		346
D14U1	D14U1		1-02 *	T03S						346
D14U1			1							346

TC11.F RUN NAME	A/P PIN NAME	HND288.V16(16) ORDER PIN	03/31/72 BAY ORDER	0 DRAW RV PG Y	X	Z	REMARKS	24-MAY-72 LENGTH	21112 EXCEPTIONS	PAGE 38 RUN NUMBER
D14V1	B14M2		1-01 *	T04		1		9-0/8		347
D14V1	D14V1		1-02 *	T04S						347
D14V1			1							347
D15U2	C11N1		1-01 *	T05		1		5-4/8		348
D15U2	D15U2		1-02 *	T05S						348
D15U2			1							348
D16U2	C10P2		1-01 *	T07		1		4-6/8		349
D16U2	D16U2		1-02 *	T07S						349
D16U2			1							349
D16R2	D16R2		1-01 *	T02S		1		3-4/8		350
D16R2	D16R1		1-02 *	T02						350
D16R2			1							350
D17E1	D12U2		1-01 *	T03		1		5-2/8		351
D17E1	D17E1		1-02 *	T03S						351
D17E1			1							351
D17U2	D10H2		1-01 *	T07		1		3-0/8		352
D17U2	D17U2		1-02 *	T07S						352
D17U2			1							352
D17L1	C11F1		1-01 *	T09		1		6-6/8		353
D17L1	D17L1		1-02 *	T09S						353
D17L1			1							353
D17P2	D12M2		1-01 *	T04		1		5-0/8		354
D17P2	D17P2		1-02 *	T04S						354
D17P2			1							354
D17S1	D07U1		1-01 *	T03		1		7-4/8		355
D17S1	D17S1		1-02 *	T03S						355
D17S1			1							355
D17V2	C06A1		1-01 *	T09		1		10-2/8		356
D17V2	D17V2		1-02 *	T09S						356
D17V2			1							356
D20F2	C19E2		1-01 *	T05		1		5-4/8		357
D20F2	D20F2		1-02 *	T05S						357
D20F2			1							357
D20N1	D20N2		1-01 *	T03		1		2-4/8		358
D20N1	D20N1		1-02 *	T03S						358
D20N1			1							358

TC11, F RUN NAME	A/P PIN NAME	HND288.V15(116) 03/31/72 ORDER PIN	BAY - ORDER	Q	DRAM	RV	PG	Y	X	Z	REMARKS	24-MAY-72 LENGTH	21112 EXCEPTIONS	PAGE 39 RUN NUMBER
D20N2	B11C1		1-01 *		T03					1				359
D20N2	D20N2		1-02 *		T03B									359
D20N2			1									10-6/8		359
D21F1	D07B1		1-01 *		T02					1				360
D21F1	D21F1		1-02 *		T02S									360
D21F1			1									9-4/8		360
D21F2	C20M1		1-01 *		T02					1				361
D21F2	D21F2		1-02 *		T02S									361
D21F2			1									4-6/8		361
D21J1	D21J1		1-01 *		T02					1				362
D21J1	D21K2		1-02 *		T02S									362
D21J1			1									2-4/8		362
D21K1	D21H2		1-01 *		T02					1				363
D21K1	D21K1		1-02 *		T02S					2				363
D21K1	D19S1		1-03 *		T02									363
D21K1			1									6-4/8		363
D21S2	C09P2		1-01 *		T02					1				364
D21S2	D21S2		1-02 *		T02S									364
D21S2			1									9-4/8		364
D21V2	C09U2		1-01 *		T02					1				365
D21V2	D21V2		1-02 *		T02S									365
D21V2			1									9-6/8		365
D22F1	D19B1		1-01 *		T02					1				366
D22F1	D22F1		1-02 *		T02S									366
D22F1			1									4-0/8		366
D22F2	D22F2		1-01 *		T07S					1				367
D22F2	D22L2		1-02 *		T07									367
D22F2			1									2-6/8		367
D22K1	D19E2		1-01 *		T02					1				368
D22K1	D22K1		1-02 *		T02S									368
D22K1			1									3-6/8		368
D22K2	D19D2		1-01 *		T02					1				369
D22K2	D22K2		1-02 *		T02S									369
D22K2			1									4-0/8		369

TC11, F RUN NAME	A/P PIN NAME	HND288.V15(116) 03/31/72 ORDER PIN	BAY - ORDER	Q	DRAM	RV	PG	Y	X	Z	REMARKS	24-MAY-72 LENGTH	21112 EXCEPTIONS	PAGE 40 RUN NUMBER
D22N1	D19M2		1-01 *		T02					1				370
D22N1	D22N1		1-02 *		T02S									370
D22N1			1									3-6/8		370
D22N2	D22N2		1-01 *		T07S					1				371
D22N2	D22P1		1-02 *		T07									371
D22N2			1									2-6/8		371
D22S1	C17L1		1-01 *		T07					1				372
D22S1	D22M2		1-02 *		T07					2				372
D22S1	D22S1		1-03 *		T07S									372
D22S1			1									9-2/8		372
D22S2	D22S2		1-01 *							1				373
D22S2	B12U2		1-02 *											373
D22S2			1									9-4/8		373
D23D2	C22D2		1-01 *		T02					1				374
D23D2	C22N1		1-02 *		T02					2				374
D23D2	C22V2		1-03 *		T02					1				374
D23D2	D23D2		1-04 *		T02S									374
D23D2			1									10-2/8		374
D23F2	C20J1		1-01 *		T02					1				375
D23F2	D23F2		1-02 *		T02S									375
D23F2			1									5-4/8		375
D23J2	D12R1		1-01 *		T04					1				376
D23J2	D23J2		1-02 *		T04S									376
D23J2			1									8-4/8		376
D23L2	D07E1		1-01 *		T03					1				377
D23L2	D23L2		1-02 *		T03S									377
D23L2			1									11-0/8		377
D23R2	C07L1		1-01 *		T19					1				378
D23R2	D23R2		1-02 *		T19S									378
D23R2			1									12-0/8		378
DAT EN	C13B2		1-01 *		T06					2				379
DAT EN	C13L2		1-02 *		T06					2				379
DAT EN	C13E2		1-03 *		T06					2				379
DAT EN	C10B1		1-04 *		T06					1				379
DAT EN	C10H1		1-05 *		T06					1				379
DAT EN	C10M1		1-06 *		T06					1				379
DAT EN	D10M1		1-07 *		T05					1				379
DAT EN			1									21-0/8		379

TC11.F RUN NAME	A/P PIN	HND288.V16(16) PIN NAME	03/31/72 ORDER PIN	03/31/72 BAY ORDER	0 DRAW	RV	PG	Y	X	Z	REMARKS	24-MAY-72 LENGTH	21112 EXCEPTIONS	PAGE 45 RUN NUMBER
DATA	H	A14V2		1-01 *	0					1		6-2/8		416
DATA	H	B09P1		1-02 *	0					1				416
DATA	H	A14R2		1-04 *	0					2		10-4/8		417
DATA	H	B17S2		1-02 *	0					2				417
DATA	H	C19D2		1-03 *	0					1				417
DATA	H	A14S2		1-01 *	0					1		5-6/8		418
DATA	H	B09L2		1-02 *	0					1				418
DATA	H	D16K2		1-04 *	0					1		3-6/8		419
DATA	H	D16K2		1-02 *	0					1				419
DATA	L	D20B1		1-01 *	0					2		7-2/8		420
DATA	L	D20E2		1-02 *	0					2				420
DATA	L	D16E1		1-03 *	0					1				420
DATA	H	C19P1		1-01 *	0					2		7-0/8		421
DATA	H	C20S2		1-02 *	0					1				421
DATA	H	D20C1		1-03 *	0					1				421
DATA ENB	L	C00S1		1-01 *	0					1		7-0/8		422
DATA ENB	L	D16B1		1-02 *	0					1				422
DATA(0)	H	D07S2		1-01 *	0					1		6-4/8		423
DATA(0)	H	D19T2		1-02 *	0					1				423
DATA(1)	H	A09L2		1-01 *	0					1		11-2/8		424
DATA(1)	H	D07R2		1-02 *	0					1				424
DECODE DLY	H	C00T2		1-01 *	0					2		15-0/8		425
DECODE DLY	H	B19P1		1-02 *	0					1				425
DECODE DLY	H	D19T2		1-03 *	0					1				425

TC11.F RUN NAME	A/P PIN	HND288.V16(16) PIN NAME	03/31/72 ORDER PIN	03/31/72 BAY ORDER	0 DRAW	RV	PG	Y	X	Z	REMARKS	24-MAY-72 LENGTH	21112 EXCEPTIONS	PAGE 46 RUN NUMBER
DECODE DLY	L	B19N1		1-01 *	0					1				426
DECODE DLY	L	C00S2		1-02 *	0					2				426
DECODE DLY	L	D08M2		1-03 *	0					2				426
DECODE DLY	L	D20U2		1-04 *	0					2				426
DECODE DLY	L	C21N2		1-05 *	0					1		26-6/8		426
DINH8(0)	H	B19U2		1-01 *	0					1		7-0/8		427
DINH8(0)	H	C00S1		1-02 *	0					1				427
DINH8(1)	H	A12U2		1-01 *	0					2		14-4/8		428
DINH8(1)	H	A08D1		1-02 *	0					2				428
DINH8(1)	H	C00R1		1-03 *	0					1				428
DATA	H	D21L1		1-01 *	0					1		11-2/8		429
DATA	H	D21P1		1-02 *	0					2				429
DATA	H	D16V2		1-03 *	0					1				429
DATA	H	D16L2		1-04 *	0					1				429
DATA	L	B11B1		1-01 *	0					1		25-6/8		430
DATA	L	D14S1		1-02 *	0					2				430
DATA	L	D16U2		1-03 *	0					1				430
DATA	L	D23P2		1-04 *	0					2				430
DATA	L	C21M2		1-05 *	0					1				430
DATA	H	C11R2		1-01 *	0					1		4-6/8		431
DATA	H	D13V2		1-02 *	0					1				431
DATA	L	C11P2		1-01 *	0					1		8-2/8		432
DATA	L	D21N1		1-02 *	0					1				432
DATA	H	D16N2			0									433

1-PIN RUN

TC11.F RUN NAME	HND288.V16(16) A/P PIN ORDER	03/31/72 BAY ORDER	Q DRAW RV PG Y	X	Z	REMARKS	24-MAY-72 LENGTH	21112 EXCEPTIONS	PAGE 49 RUN NUMBER
GND 01	A04B2	1-01	T20						449
GND 01	A01C2	1-02	T20						449
GND 01	A04N1	1-03	T20						449
GND 01	A04R1	1-04	T20						449
GND 01	A04P1	1-05	T20						449
GND 01	A04S1	1-06	T20						449
GND 01	A01V1	1-07	T20						449
GND 01	A01V2	1-08	T20						449
GND 01	B01B2	1-09	T20						449
GND 01	B01C2	1-10	T20						449
GND 01	B01D2	1-11	T20						449
GND 01	B01E1	1-12	T20						449
GND 01	B01V2	1-13	T20						449
GND 01	C01C2	1-14	T20						449
GND 01	C01T1	1-15	T20						449
GND 01	D01C2	1-16	T20						449
GND 01	D01T1	1-17	T20						449
GND 02	A02B2	1-01	T20						450
GND 02	A02C2	1-02	T20						450
GND 02	A02N1	1-03	T20						450
GND 02	A02R1	1-04	T20						450
GND 02	A02P1	1-05	T20						450
GND 02	A02S1	1-06	T20						450
GND 02	A02V2	1-07	T20						450
GND 02	A02V2	1-08	T20						450
GND 02	B02B2	1-09	T20						450
GND 02	B02D1	1-10	T20						450
GND 02	B02C2	1-11	T20						450
GND 02	B02E1	1-12	T20						450
GND 02	B02V2	1-13	T20						450
GND 02	B02V2	1-14	T20						450
GND 02	C02C2	1-15	T20						450
GND 02	C02T1	1-16	T20						450
GND 02	D02C2	1-17	T20						450

TC11.F
RUN NAME

HND288.V16(16)
A/P PIN ORDER

03/31/72
BAY ORDER

Q
DRAW RV PG Y

X

Z

REMARKS

24-MAY-72
LENGTH

21112
EXCEPTIONS

PAGE 50
RUN NUMBER

GND 03	A03C2	1-01							451
GND 03	A03T1	1-02							451
GND 03	B03C2	1-03							451
GND 03	B03T1	1-04							451
GND 03	C03C2	1-05							451
GND 03	C03T1	1-06							451
GND 03	D03C2	1-07							451
GND 03	D03T1	1-08							451
GND 04	A04C2	1-01							452
GND 04	A04T1	1-02							452
GND 04	B04C2	1-03							452
GND 04	B04T1	1-04							452
GND 04	B04E1	1-05							452
GND 04	C04C2	1-06							452
GND 04	C04T1	1-07							452
GND 04	D04C2	1-08							452
GND 04	D04L1	1-09							452
GND 04	D04T1	1-10							452
GND 04	D04T1	1-11							452
GND 05	A05C2	1-01							453
GND 05	A05T1	1-02							453
GND 05	B05C2	1-03							453
GND 05	B05J2	1-04							453
GND 05	B05R1	1-05							453
GND 05	B05T1	1-06							453
GND 05	C05C2	1-07							453
GND 05	C05T1	1-08							453
GND 05	D05C2	1-09							453
GND 05	D05T1	1-10							453
GND 06	A06C2	1-01							454
GND 06	A06T1	1-02							454
GND 06	B06C2	1-03							454
GND 06	B06C1	1-04							454
GND 06	B06P1	1-05							454
GND 06	B06R1	1-06							454
GND 06	B06T1	1-07							454
GND 06	C06C2	1-08							454
GND 06	C06T1	1-09							454
GND 06	D06C2	1-10							454
GND 06	D06T1	1-11							454

33-2/8

T011.F R0N NAME	HND288.V16(16) A/P PIN NAME	03/31/72 ORDER	Q DRAW	RV RV	PG PG	Y Y	X X	Z Z	REMARKS	24-MAY-72 LENGTH	21112 EXCEPTIONS	PAGE 53 RUN NUMBER
GND 13	A49C2	1-01	*									461
GND 13	A19T1	1-02	*									461
GND 13	B19C2	1-03	*									461
GND 13	B19T1	1-04	*									461
GND 13	C19C2	1-05	*									461
GND 13	C19F2	1-06	*									461
GND 13	C19E1	1-07	*									461
GND 13	C19H2	1-08	*									461
GND 13	C19L1	1-09	*									461
GND 13	C19M2	1-10	*									461
GND 13	C19N2	1-11	*									461
GND 13	C19T1	1-12	*									461
GND 13	C19S1	1-13	*									461
GND 13	C19U2	1-14	*									461
GND 13	C19V2	1-15	*									461
GND 13	D19C2	1-16	*									461
GND 13	D19U2	1-17	*									461
GND 13	D19T1	1-18	*									461
GND 14	A49C2	1-01	*									462
GND 14	A19T1	1-02	*									462
GND 14	B19C2	1-03	*									462
GND 14	B19T1	1-04	*									462
GND 14	C19C2	1-05	*									462
GND 14	C19T1	1-06	*									462
GND 14	D19C2	1-07	*									462
GND 14	D19T1	1-08	*									462
GND 15	A19C2	1-01	*									463
GND 15	A19T1	1-02	*									463
GND 15	B19C2	1-03	*									463
GND 15	B19T1	1-04	*									463
GND 15	C19C2	1-05	*									463
GND 15	C19T1	1-06	*									463
GND 15	D19C2	1-07	*									463
GND 15	D19T1	1-08	*									463

T011.F R0N NAME	HND288.V16(16) A/P PIN NAME	03/31/72 ORDER	Q DRAW	RV RV	PG PG	Y Y	X X	Z Z	REMARKS	24-MAY-72 LENGTH	21112 EXCEPTIONS	PAGE 54 RUN NUMBER
GND 16	A19C2	1-01	*									464
GND 16	A19T1	1-02	*									464
GND 16	B19C2	1-03	*									464
GND 16	B19T1	1-04	*									464
GND 16	C19C2	1-05	*									464
GND 16	C19T1	1-06	*									464
GND 16	D19C2	1-07	*									464
GND 16	D19T1	1-08	*									464
GND 17	A17C2	1-01	*									465
GND 17	A17T1	1-02	*									465
GND 17	B17C2	1-03	*									465
GND 17	B17T1	1-04	*									465
GND 17	C17C2	1-05	*									465
GND 17	C17T1	1-06	*									465
GND 17	D17C2	1-07	*									465
GND 17	D17T1	1-08	*									465
GND 18	A18C2	1-01	*									466
GND 18	A18T1	1-02	*									466
GND 18	B18C2	1-03	*									466
GND 18	B18T1	1-04	*									466
GND 18	C18C2	1-05	*									466
GND 18	C18T1	1-06	*									466
GND 18	D18C2	1-07	*									466
GND 18	D18T1	1-08	*									466
GND 19	A19C2	1-01	*									467
GND 19	A19T1	1-02	*									467
GND 19	A19N2	1-04	*									467
GND 19	A19T1	1-05	*									467
GND 19	A19U2	1-06	*									467
GND 19	B19C2	1-07	*									467
GND 19	B19M2	1-08	*									467
GND 19	B19T1	1-09	*									467
GND 19	C19C2	1-10	*									467
GND 19	C19T1	1-11	*									467
GND 19	D19C2	1-12	*									467
GND 19	D19T1	1-13	*									467

30-0/8

TC111F RUN NAME	A/P PIN NAME	HND288, V16(16) ORDER PIN	03/31/72 DAY - ORDER	Q DRAW	RV PG	Y X	Z REMARKS	24-MAY-72 LENGTH	21112 EXCEPTIONS	PAGE 61 RUN NUMBER
MK END	H	C18F2	1-01 *	T075			1	10-0/8		516
MK END	H	D06P2	1-02 *	T075			1	10-0/8		516
MK END	L	C18H2	1-01 *	T075			1	5-0/8		517
MK END	L	D17D1	1-02 *	T075			1	5-0/8		517
MNT(0)	H	A11F1	1-01 *	T108			1	10-0/8		518
MNT(0)	H	C16F2	1-02 *	T075			1	10-0/8		518
MNT(1)	H	A11E1	1-01 *	T108			1	5-2/8		519
MNT(1)	H	B05D2	1-02 *	T18			1	5-2/8		519
MTE(0)	H	B24H2	1-01 *	T24			2	22-6/8		520
MTE(0)	H	A14J2	1-02 *	T03S			2	22-6/8		520
MTE(0)	H	D15N1	1-03 *	T03			2	22-6/8		520
MTE(0)	H	D17N2	1-04 *	T04			2	22-6/8		520
MTE(1)	H	A09D2	1-01 *	T117			2	16-2/8		521
MTE(1)	H	A14K2	1-02 *	T03S			2	16-2/8		521
MTE(1)	H	D15R1	1-03 *	T03			2	16-2/8		521
MTE(1)	H	D15R1	1-03 *	T03			2	16-2/8		521
NEW UNIT SELECT	H	B11S2	1-01 *	T04S			2	24-0/8	1-PIN RUN	522
NEW UNIT SELECT	L	A19T2	1-01 *	T12			2	24-0/8		523
NEW UNIT SELECT	L	B11R2	1-02 *	T04S			2	24-0/8		523
NEW UNIT SELECT	L	D11U1	1-03 *	T04			2	24-0/8		523
NEW UNIT SELECT	L	D05J1	1-04 *	T04			2	24-0/8		523
NEW UNIT SELECT	L	D05J2	1-05 *	T04			2	24-0/8		523
NEX(0)	H	B06K1	1-01 *	T08S			1	10-4/8		524
NEX(0)	H	D19J2	1-02 *	T03			1	10-4/8		524
NEX(0)	H	D19J2	1-02 *	T03			1	10-4/8		524
NEX(1)	H	A09P1	1-01 *	T117			1	5-2/8		525
NEX(1)	H	B06L1	1-02 *	T08S			1	5-2/8		525
NEX(1)	H	B06L1	1-02 *	T08S			1	5-2/8		525
NO CHANGE	L	C21R1	1-01 *	T04			2	13-4/8		526
NO CHANGE	L	D20R2	1-02 *	T04			2	13-4/8		526
NO CHANGE	L	D20R1	1-03 *	T04			2	13-4/8		526
NO CHANGE	L	D13V2	1-04 *	T04S			2	13-4/8		526
NPR DATA CLEAR	H	B06R2	1-01 *	T08S			1	1-PIN RUN		527
NPR DATA CLEAR	L	B06S1	1-01 *	T08			2	1-PIN RUN		528
NPR DATA CLEAR	L	B06S2	1-02 *	T08S			2	1-PIN RUN		528
NPR DATA CLEAR	L	D17F1	1-03 *	T09			1	15-6/8		528
NPR DATA CLEAR	L	D17T2	1-04 *	T09			1	15-6/8		528
NPR DATA STROBE	H	B06M2	1-01 *	T08S			1	1-PIN RUN		529
NPR DATA STROBE	L	B06L2	1-01 *	T08			1	1-PIN RUN		530
NPR DATA STROBE	L	B06T2	1-02 *	T08S			2	1-PIN RUN		530
NPR DATA STROBE	L	C10P1	1-03 *	T09			1	1-PIN RUN		530
NPR DATA STROBE	L	C10R1	1-04 *	T09			1	1-PIN RUN		530
NPR DATA TO BUS	H	B06E2	1-01 *	T08S			1	1-PIN RUN		531
NPR DATA TO BUS	L	B06F2	1-01 *	T08S			1	1-PIN RUN		532
NPR DATA TO BUS	L	C07D2	1-02 *	T09			1	4-6/8		532
OBUS D00	L	A04B1	1-01 *	T13			1	13-4/8		533
OBUS D00	L	A07E1	1-02 *	T21S/T22S			2	13-4/8		533
OBUS D00	L	B06S1	1-03 *	T16S			1	13-4/8		533
OBUS D00	L	B06U2	1-04 *	T18S			1	13-4/8		533
OBUS D01	L	A04L2	1-01 *	T13			2	13-2/8		534
OBUS D01	L	A07J1	1-02 *	T21S/T22S			2	13-2/8		534
OBUS D01	L	B06S2	1-03 *	T18S			2	13-2/8		534
OBUS D01	L	B06N2	1-04 *	T16S			2	13-2/8		534
OBUS D02	L	A04E1	1-01 *	T13			1	13-0/8		535
OBUS D02	L	A07L2	1-02 *	T21S/T22S			2	13-0/8		535
OBUS D02	L	B06P2	1-03 *	T16S			1	13-0/8		535
OBUS D02	L	B06N1	1-04 *	T18S			1	13-0/8		535

TC11.F RUN NAME	HND288.V16(16) 03/31/72 A/P PIN ORDER NAME	Q DRAW RV PG Y	X	Z	REMARKS	24-MAY-72 LENGTH	2112 EXCEPTIONS	PAGE 63 RUN NUMBER
OBUS 003	A04D2	T13		2				536
OBUS 003	A07H2	T21S/T22S		1				536
OBUS 003	B05H2	T18S		2				536
OBUS 003	B09K2	T18S				12-6/8		536
OBUS 004	A04F2	T13		2				537
OBUS 004	B05K2	T18S		1				537
OBUS 004	B09K1	T18S		2				537
OBUS 004	B07R2	T21S/T22S				12-0/8		537
OBUS 005	A04J2	T13		2				538
OBUS 005	A07R1	T21S/T22S		1				538
OBUS 005	B05H2	T18S		2				538
OBUS 005	B09F2	T18S				11-4/8		538
OBUS 006	A04H1	T13		1				539
OBUS 006	A07S2	T21S/T22S		2				539
OBUS 006	B05E2	T18S		1				539
OBUS 006	B07F1	T18S				11-2/8		539
OBUS 007	A04K1	T13		2				540
OBUS 007	A07P1	T21S/T22S		1				540
OBUS 007	B05C1	T18S		2				540
OBUS 007	B09C1	T18S				10-6/8		540
OBUS 008	A04M1	T13		2				541
OBUS 008	A07S1	T17S		1				541
OBUS 008	A08U2	T17S		2				541
OBUS 008	B07N2	T21S/T22S				12-4/8		541
OBUS 009	A04N2	T13		1				542
OBUS 009	A09N2	T17S		2				542
OBUS 009	A05S2	T17S		1				542
OBUS 009	B07C1	T21S/T22S				12-0/8		542
OBUS 010	A04R2	T13		2				543
OBUS 010	A07N1	T17S		1				543
OBUS 010	A08P2	T17S		2				543
OBUS 010	B07D2	T21S/T22S				11-6/8		543

TC11.F RUN NAME	HND288.V16(16) 03/31/72 A/P PIN ORDER NAME	Q DRAW RV PG Y	X	Z	REMARKS	24-MAY-72 LENGTH	2112 EXCEPTIONS	PAGE 64 RUN NUMBER
OBUS 011	A04U1	T13		2				544
OBUS 011	B07A1	T21S/T22S		1				544
OBUS 011	A05M2	T17S		2				544
OBUS 011	A09K2	T17S				11-4/8		544
OBUS 012	A09K1	T17S		1				545
OBUS 012	A05K2	T17S		2				545
OBUS 012	A04T2	T13		1				545
OBUS 012	B07M2	T21S/T22S				12-0/8		545
OBUS 013	A09F2	T17S		2				546
OBUS 013	A05H2	T17S		1				546
OBUS 013	A04V2	T13		2				546
OBUS 013	B07H2	T21S/T22S				12-0/8		546
OBUS 014	A09F1	T17S		1				547
OBUS 014	A05E2	T17S		2				547
OBUS 014	A04S1	T13		1				547
OBUS 014	B07M1	T21S/T22S				13-2/8		547
OBUS 015	A09C1	T17S		2				548
OBUS 015	A05C1	T17S		1				548
OBUS 015	B07J1	T21S/T22S				14-0/8		548
OBUS 015	A04P1	T13						548

TC11.F RUN NAME	HND288, V46(16) 05/31/72 A/P PIN NAME ORDER PIN	BAY ORDER	Q DRAW RV PG Y	X	Z	REMARKS	24-MAY-72 LENGTH	21112 EXCEPTIONS	PAGE 65 RUN NUMBER
OBVERSE ENB	H	A13D2	1-01	*	T15	1			549
OBVERSE ENB	H	A13F1	1-02	*	T14	1			549
OBVERSE ENB	H	A13R2	1-03	*	T16	1			549
OBVERSE ENB	H	A17M1	1-04	*	T16	1			549
OBVERSE ENB	H	A17F1	1-05	*	T16	1			549
OBVERSE ENB	H	A17D2	1-06	*	T16	1			549
OBVERSE ENB	H	A17K2	1-07	*	T16	1			549
OBVERSE ENB	H	A17R2	1-08	*	T16	1			549
OBVERSE ENB	H	B17D2	1-09	*	T14	1			549
OBVERSE ENB	H	B15D2	1-10	*	T15	1			549
OBVERSE ENB	H	B19F1	1-11	*	T15	1			549
OBVERSE ENB	H	B19K1	1-12	*	T15	1			549
OBVERSE ENB	H	B19M1	1-13	*	T15	1			549
OBVERSE ENB	H	B19R2	1-14	*	T15	1			549
OBVERSE ENB	H	B17M1	1-15	*	T14	1			549
OBVERSE ENB	H	B17K2	1-16	*	T14	1			549
OBVERSE ENB	H	B17R2	1-17	*	T14	1			549
OBVERSE ENB	H	C21C1	1-18	*	T14	1			549
OBVERSE ENB	H	C21C4	1-19	*	T14	1			549
OBVERSE ENB	H	C21C1	1-20	*	T08	1			549
OBVERSE ENB	H	C11J2	1-21	*	T08	1			549
OUT HIGH	H	B04M2	1-01	*	T19	2			550
OUT HIGH	H	C08A1	1-02	*	T09	1			550
OUT HIGH	H	D19J2	1-03	*	T04	1			550
OUT LOW	H	C08R2	1-01	*	T09	2			551
OUT LOW	H	C08K1	1-02	*	T09	1			551
OUT LOW	H	C08M1	1-03	*	T09	1			551
OUT LOW	H	B15N1	1-04	*	T19S	1			551
OUT LOW	H	B19L1	1-05	*	T04	1			551
OUT LOW	H	C21ER2	1-06	*	T05	1			551
PAR(0)	H	B24M2	1-01	*	T24	1			552
PAR(0)	H	D15R1	1-02	*	T03	1			552
PAR(0)	H	D07J2	1-03	*	T03S	1			552
PAR(1)	H	A09D1	1-01	*	T17	1			553
PAR(1)	H	D07H2	1-02	*	T03S	1			553
PAR(1)	H	D07H2	1-02	*	T03S	1			553

TC11.F RUN NAME	HND288, V46(16) 05/31/72 A/P PIN NAME ORDER PIN	BAY ORDER	Q DRAW RV PG Y	X	Z	REMARKS	24-MAY-72 LENGTH	21112 EXCEPTIONS	PAGE 66 RUN NUMBER
PTP0	H	D08H2	1-01	*	T04	1			554
PTP0	H	D12D1	1-02	*	T04	1			554
PTP0	H	D13F1	1-03	*	T04S	1			554
PTP0	H	D19J1	1-04	*	T04	1			554
PTP0	L	D11J2	1-01	*	T04	1			555
PTP0	L	D12E1	1-02	*	T04S	1			555
PTP1	H	D08J1	1-01	*	T04	1			556
PTP1	H	D15C1	1-02	*	T04S	1			556
PWALL	H	D06D1	1-01	*	T03	2			557
PWALL	H	C12L2	1-02	*	T05S	1			557
PWALL	H	D21L2	1-03	*	T05	1			557
RALL	H	C09J2	1-01	*	T02	2			558
RALL	H	C12N2	1-02	*	T05S	1			558
RALL	H	D21R2	1-03	*	T02	1			558
RALL	L	C19V2	1-01	*	T05	2			559
RALL	L	C20H2	1-02	*	T02	1			559
RALL	L	C17H2	1-03	*	T07	1			559
RALL	L	C12N1	1-04	*	T05S	1			559
RALL	L	D06J1	1-05	*	T03	1			559
RDATA	H	C19R1	1-01	*	T05	1			560
RDATA	H	D17N1	1-02	*	T03	1			560
RDATA	H	D14E1	1-03	*	T07	1			560
RDATA	H	C12J2	1-04	*	T05S	1			560
RDATA	L	C19U2	1-01	*	T05	1			561
RDATA	L	C12J1	1-02	*	T05S	1			561
RDATA	L	D06P1	1-03	*	T02	1			561
READ D0	H	B23U2			T12S				562
READ D0	L	B23V2	1-01	*	T12S	1			563
READ D0	L	C19C1	1-02	*	T06	1			563
READ D0	L	C19C1	1-02	*	T06	1			563

1=PIN RUN

TC11.F RUN NAME	HND288.V16(16) 03/31/72 A/P PIN ORDER BAY	0 DRAW RV PG Y	X	Z	REMARKS	24-MAY-72 LENGTH	21112 EXCEPTIONS	PAGE 69 RUN NUMBER
REV(0)	H A11U1	0		2		26-2/8		582
REV(0)	H D04C1	0		1				582
REV(0)	H D20P1	0		2				582
REV(0)	H C21P1	0		1				582
REV(1)	H A08M1	0		1				583
REV(1)	H A11S1	0		2				583
REV(1)	H C10E2	0		1				583
REV(1)	H C10F2	0		1				583
REV(1)	H D04F1	0		1				583
REV(1)	H D20P2	0		1				583
REVERSE	L A19P2	0		1		30-4/8		584
REVERSE	L D20S2	0		1				584
RNUM	H C09S1	0		1		10-6/8		584
RNUM	H C12E2	0		2				585
RNUM	H D14K2	0		1				585
RNUM	L C12E1	0		1		10-6/8		585
RNUM	L C19T2	0		1				586
RHALL	H A08R1	0		1		6-6/8		586
RHALL	H D06H2	0		2				587
RHALL	H D06K1	0		2				587
RHALL	H D20H1	0		2				587
RMB SH	H C13D1	0		1		21-6/8		587
RMB SH	H C13K1	0		1				588
RMB SH	H C13R1	0		1				588
RMB SH	H D22C1	0		1				588
RMB0(0)	H C13M2	0		1		13-2/8		588
RMB0(0)	H C13N2	0		1				589
RMB0(0)	H C14V1	0		2				589
RMB0(0)	H C13P1	0		1		9-2/8		589

TC11.F RUN NAME	HND288.V16(16) 03/31/72 A/P PIN ORDER BAY	0 DRAW RV PG Y	X	Z	REMARKS	24-MAY-72 LENGTH	21112 EXCEPTIONS	PAGE 70 RUN NUMBER
RMB0(1)	H A17U2	0		1		8-2/8		590
RMB0(1)	H C14V2	0		1				590
RMB0(1)	H C13T2	0		1				591
RMB1(0)	H C13U2	0		2				591
RMB1(0)	H C14U1	0		1				591
RMB1(0)	H C13U1	0		1		9-2/8		591
RMB1(1)	H B13U2	0		1				592
RMB1(1)	H C14S1	0		1		5-0/8		592
RMB2(0)	H C13R1	0		2				593
RMB2(0)	H C14R2	0		1				593
RMB2(0)	H C13P1	0		2				593
RMB2(0)	H C13C1	0		1		9-0/8		593
RMB2(1)	H B17U2	0		1				594
RMB2(1)	H C14P2	0		1		5-0/8		594
RMB3(0)	H A23P2	0		1				595
RMB3(0)	H B25P2	0		2				595
RMB3(0)	H C13J1	0		2				595
RMB3(0)	H C13K1	0		2				595
RMB3(0)	H C14M1	0		2				595
RMB3(1)	H B07L1	0		1		17-0/8		595
RMB3(1)	H A17N2	0		1				596
RMB3(1)	H A23N2	0		2				596
RMB3(1)	H B20N2	0		2				596
RMB3(1)	H C14L1	0		1				596
RMB3(1)	H C13M1	0		2				596
RMB3(1)	H B07L1	0		1		26-2/8		596
RMB4(0)	H B21P2	0		2				597
RMB4(0)	H C13F2	0		1				597
RMB4(0)	H C14E2	0		2				597
RMB4(0)	H C14J2	0		1		11-4/8		597

A/P PIN NAME ORDER BAY -
 Q DRAW RV PG Y X Z REMARKS

TC11.F RUN NAME	A/P PIN NAME	ORDER PIN	BAY -	Q	DRAW	RV	PG	Y	X	Z	REMARKS	24-MAY-72 LENGTH	2112 EXCEPTIONS	PAGE 71 RUN NUMBER
RMB4(1)	H	B09H2	1-01 *	1	T10									598
RMB4(1)	H	C13F1	1-02 *	1	T06									598
RMB4(1)	H	C14H2	1-03 *	1	T06S									598
RMB4(1)	H	B15N2	1-04 *	1	T15									598
RMB4(1)	H	B21N2	1-05 *	1	T12									598
RMB5(0)	H	B23P2	1-01 *	1	T12							18-2/8		599
RMB5(0)	H	C15D1	1-02 *	1	T06									599
RMB5(0)	H	C15C1	1-03 *	1	T06									599
RMB5(0)	H	C14F1	1-04 *	1	T06S									599
RMB5(1)	H	B09H1	1-01 *	1	T10									600
RMB5(1)	H	C13A1	1-02 *	1	T06									600
RMB5(1)	H	C14E1	1-03 *	1	T06S									600
RMB5(1)	H	B17N2	1-04 *	1	T14									600
RMB5(1)	H	B25N2	1-05 *	1	T12									600
RMC1	H	C14B1	1-01 *	1	T06							18-2/8		601
RMC1	H	C14D1	1-02 *	1	T06									601
RMC1	H	C14M1	1-03 *	1	T06									601
RMC1	H	C14L2	1-04 *	1	T05S									601
RMC2	H	C14L2	1-01 *	1	T06							9-4/8		602
RMC2	H	C14B2	1-02 *	1	T06									602
RMC2	H	C14N1	1-03 *	1	T06									602
RMC2	H	C14M1	1-04 *	1	T05S									602
RMDAT	H	D14E2	1-01 *	1	T03							9-6/8		602
RMDAT	H	C09D2	1-02 *	1	T02									603
RMDAT	H	C09J2	1-03 *	1	T08									603
RMDAT	H	D09S1	1-04 *	1	T02S									603
SAT	H	C12D2	1-01 *	1	T05S							16-0/8		603
SAT	H	D21T2	1-02 *	1	T04									604
SAT	H											8-2/8		604
SAT	L	A15S2	1-01 *	1	T12									605
SAT	L	C12D1	1-02 *	1	T05S									605
SAT	L	D14X1	1-03 *	1	T03									605
SAT	L	D09B1	1-04 *	1	T04									605
SAT	L											18-6/8		605

A/P PIN NAME ORDER BAY -
 Q DRAW RV PG Y X Z REMARKS

TC11.F RUN NAME	A/P PIN NAME	ORDER PIN	BAY -	Q	DRAW	RV	PG	Y	X	Z	REMARKS	24-MAY-72 LENGTH	2112 EXCEPTIONS	PAGE 72 RUN NUMBER
SELE	H	A09H2	1-01 *	1	T17									606
SELE	H	D12P2	1-02 *	1	T03									606
SELE	H	D15S2	1-03 *	1	T03S							14-6/8		606
SELE	L	B24L2	1-01 *	1	T23									607
SELE	L	C20D1	1-02 *	1	T10									607
SELE	L	D17K2	1-03 *	1	T04									607
SELE	L	D14R2	1-04 *	1	T03									607
SELE	L	D12R2	1-05 *	1	T03S									607
SELECT 0	H	C06E1	1-01 *	1	T19S							18-6/8		608
SELECT 0	H	C07A1	1-02 *	1	T09									608
SELECT 0	H	C06H1	1-03 *	1	T09									608
SELECT 0	H	C06N2	1-04 *	1	T09									608
SELECT 10	H	C09A1	1-01 *	1	T09							9-4/8		609
SELECT 10	H	C09J2	1-02 *	1	T19S									609
SELECT 10	H	C07R2	1-03 *	1	T09									609
SELECT 10	H	C06T2	1-04 *	1	T09									609
SELECT 10	H	C09T2	1-05 *	1	T02									609
SELECT 10	H	D21P2	1-06 *	1	T02							22-0/8		609
SELECT 2	H	A08H1	1-01 *	1	T17									610
SELECT 2	H	B08H1	1-02 *	1	T10									610
SELECT 2	H	C08C1	1-03 *	1	T09									610
SELECT 2	H	C08E1	1-04 *	1	T09									610
SELECT 2	H	B04T2	1-05 *	1	T19S									610
SELECT 2	H	B13M1	1-06 *	1	T04									610
SELECT 2	H	C21P2	1-07 *	1	T05									610
SELECT 2	H	D14T2	1-08 *	1	T04									610
SELECT 4	H	B04R2	1-01 *	1	T19S							38-2/8		611
SELECT 4	H	C07D1	1-02 *	1	T09									611
SELECT 4	H	C06F2	1-03 *	1	T09									611
SELECT 6	H	B04S1	1-01 *	1	T19S							7-4/8		612
SELECT 6	H	C07J2	1-02 *	1	T09									612
SELECT 6	H	C07R1	1-03 *	1	T09									612
SELECT 6	H											9-0/8		612

TC11.F RUN NAME	HND288.V16(16) 03/31/72 A/P PIN ORDER BAY NAME ORDER	Q	DRAW RV PG Y	X	Z	REMARKS	24-MAY-72 LENGTH	21112 EXCEPTIONS	PAGE 75 RUN NUMBER
STOP	L A19N1 O42L2	1-01 *	T12		1		11-4/8		630
STOP	L O42L2	1-02 *	T04S						630
STOP	L O42L2	1							630
STP	H D08L2	1-01 *	T04		1				631
STP	H D08N1	1-02 *	T04S		2				631
STP	H D12N1	1-03 *	T04		1				631
STP	H D13U2	1-04 *	T04		2				631
STP	H D13U2	1-04 *	T02						631
STP	H D13H2	1-05 *	T02						631
STP	H D13H2	1							631
STP	L C03C1	1-01 *	T04		2				632
STP	L C03P2	1-02 *	T04		1				632
STP	L D14P1	1-03 *	T04S						632
STP	L D14P1	1							632
SYNC	H D19N2	1-01 *	T07S		1				633
SYNC	H D19D1	1-02 *	T02						633
SYNC	H D19D1	1							633
SYNC	L D19H2		T07S			1-PIN RUN			634
TAPE CLK (0)	H A11V1	1-01 *	T10S		1				635
TAPE CLK (0)	H A21P2	1-02 *	T12						635
TAPE CLK (0)	H A21P2	1							635
TAPE CLK (1)	H A11V2	1-01 *	T10S		1				636
TAPE CLK (1)	H A21N2	1-02 *	T12						636
TAPE CLK (1)	H A21N2	1							636
TC INT	H B05K2	1-01 *	T19S		1				637
TC INT	H B12N2	1-02 *							637
TC INT	H B12N2	1							637
TCBA TO BUS	L A07D2	1-01 *	T21		1				638
TCBA TO BUS	L C07S1	1-02 *	T09S						638
TCBA TO BUS	L C07S1	1							638
TCST TO BUS	L A09U2	1-01 *	T17		1				639
TCST TO BUS	L B09U2	1-02 *	T18		2				639
TCST TO BUS	L C07C1	1-03 *	T09S						639
TCST TO BUS	L C07C1	1							639
TCMC TO BUS	L B07T2	1-01 *	T22		1				640
TCMC TO BUS	L C07F1	1-02 *	T09S						640
TCMC TO BUS	L C07F1	1							640

TC11.F RUN NAME	HND288.V16(16) 03/31/72 A/P PIN ORDER BAY NAME ORDER	Q	DRAW RV PG Y	X	Z	REMARKS	24-MAY-72 LENGTH	21112 EXCEPTIONS	PAGE 76 RUN NUMBER
TM ENABLE	H A23R2	1-01 *	T12		2				641
TM ENABLE	H A21R2	1-02 *	T12		1				641
TM ENABLE	H B12F2	1-03 *	T10S				10-6/8		641
TM ENABLE	H B12F2	1							641
TM ENABLE	L B12D2	1-01 *	T10		1				642
TM ENABLE	L B12E2	1-02 *	T10		2				642
TM ENABLE	L B10S1	1-03 *	T10		1				642
TM ENABLE	L B10U1	1-04 *	T10		2				642
TM ENABLE	L C00E1	1-05 *	T10S						642
TM ENABLE	L C00E1	1							642
TP	H D21C1	1-01 *	T02S		2				643
TP	H C22V1	1-02 *	T02		1				643
TP	H C22E1	1-03 *	T02		2				643
TP	H C22M1	1-04 *	T02		1				643
TP	H C10N2	1-05 *	T05		2				643
TP	H D10P2	1-06 *	T02						643
TP	H D10P2	1							643
TP CONTROL	H D08S2	1-01 *	T04S		2				644
TP CONTROL	H D08B1	1-02 *	T04		1				644
TP CONTROL	H D12H2	1-03 *	T04						644
TP CONTROL	H D12H2	1							644
TP CONTROL	L C17H2	1-01 *	T04		2				645
TP CONTROL	L D19H1	1-02 *	T04		1				645
TP CONTROL	L D12J2	1-03 *	T04S		2				645
TP CONTROL	L D08E1	1-04 *	T04		1				645
TP CONTROL	L D08E1	1							645
TP0	H B10K2	1-01 *	T04		1				646
TP0	H B10L2	1-02 *	T04		2				646
TP0	H C17A1	1-03 *	T02		1				646
TP0	H D21E1	1-04 *	T02		2				646
TP0	H D12K1	1-05 *	T04S		1				646
TP0	H D08R2	1-06 *	T03						646
TP0	H D08R2	1							646
TP0	L D08K2	1-01 *	T04S		1				647
TP0	L D12J1	1-02 *	T04		2				647
TP0	L D13M1	1-03 *	T04		1				647
TP0	L D13E2	1-04 *	T04		2				647
TP0	L C10M1	1-05 *	T07		1				647
TP0	L D21A1	1-06 *	T02						647
TP0	L D21J2	1-07 *	T02						647
TP0	L D21J2	1							647
TP0	L D21J2						23-0/8		647

TC11.F RUN NAME	HND288 , V16(16) PIN NAME	03/31/72 ORDER PIN	BAY - ORDER	Q DRAW	RV PG Y	X	Z	REMARKS	24-MAY-72 LENGTH	21112 EXCEPTIONS	PAGE 77 RUN NUMBER
TP000	C20R2		1-01 *		T05		2				648
TP000	C20N2		1-02 *		T05		1				648
TP000	C16F2		1-03 *		T05		2				648
TP000	C40D1		1-04 *		T07		1				648
TP000	C08R1		1-05 *		T00		1				648
TP000	C08R1		1-06 *		T02		1				648
TP000	D12RF1		1-07 *		T04		1				648
TP000	D12RF2		1-08 *		T04S		1				648
TP000	D12RF1		1-09 *		T07		1				648
TP000	D22D1		1-01 *		T02		1				649
TP000	D12H1		1-02 *		T02		1				649
TP000	D12H1		1-03 *		T04S		1				649
TP000	D12H1		1-04 *		T04S		1				649
TP01	D12F2		1-01 *		T04S		1				651
TP1	C10E2		1-01 *		T05		1				652
TP1	D19F1		1-02 *		T07		1				652
TP1	D15D1		1-03 *		T05		1				652
TP1	D12D2		1-04 *		T04S		1				652
TP1	B10J2		1-01 *		T04		2				653
TP1	CW4K2		1-02 *		T00		1				653
TP1	C04L2		1-03 *		T08		1				653
TP1	D08K1		1-04 *		T04S		1				653
TP1	D12C1		1-05 *		T04		1				653
TP1	D21B1		1-06 *		T02		1				653
TP1	D21H1		1-07 *		T02		1				653
TP1	D22L1		1-08 *		T02		1				653
UNIT SELECT 0	A19B1		1-01 *		T12S		1				654
UNIT SELECT 0	A20V2		1-02 *		T12		1				654
UNIT SELECT 1	A19E1		1-01 *		T12S		1				655
UNIT SELECT 1	A20E2		1-02 *		T12		1				655
UNIT SELECT 2	A19H1		1-01 *		T12S		1				656
UNIT SELECT 2	A20H2		1-02 *		T12		1				656
UNIT SELECT 3	A19F2		1-01 *		T12S		1				657
UNIT SELECT 3	A20K2		1-02 *		T12		1				657
UNIT SELECT 4	A19K1		1-01 *		T12S		1				658
UNIT SELECT 4	A20M2		1-02 *		T12		1				658
UNIT SELECT 5	A19J2		1-01 *		T12S		1				659
UNIT SELECT 5	A20P2		1-02 *		T12		1				659
UNIT SELECT 6	A19M1		1-01 *		T12S		1				660
UNIT SELECT 6	A20S2		1-02 *		T12		1				660
UNIT SELECT 7	A19L2		1-01 *		T12S		1				661
UNIT SELECT 7	A20T2		1-02 *		T12		1				661
UNIT SELECT DELAY	D09K1		1-01 *		T04S		1				662
UNIT SELECT DELAY	D23F1		1-02 *		T02		1				662
UNIT SELECT DELAY	D09E2		1-01 *		T04S		1				663
UNIT SELECT DELAY	D14M1		1-02 *		T03		1				663
UNIT11(0)	D04H2		1-01 *		T11S		1				664
UNIT11(0)	D09J1		1-02 *		T04		1				664
UNIT11(1)	A18V1		1-01 *		T12		2				665
UNIT11(1)	A12D2		1-02 *		T11S		1				665
UNIT11(1)	A08P1		1-03 *		T17		2				665
UNIT11(1)	D04E2		1-04 *		T11		1				665
UNIT11(1)	D04J2		1-05 *		T04		1				665

23-6/8

665

TC11.F
RUN NAME

A/P PIN NAME
HND288.V16(16) 03/31/72

Q DRAW RV PG Y X Z REMARKS

24-MAY-72 LENGTH EXCEPTIONS

PAGE 79
RUN NUMBER

UNIT NAME	UNIT	RV	PG	Y	X	Z	REMARKS	LENGTH	EXCEPTIONS	PAGE	RUN
UNIT2(1)	1-01						T12			666	666
UNIT2(1)	1-02						T11S			666	666
UNIT2(1)	1-03						T17			666	666
UNIT2(1)	1-04						T04			666	666
UNIT2(1)	1-05						T04			666	666
UNIT3(1)	1-01						T12	24-0/8		667	667
UNIT3(1)	1-02						T11S			667	667
UNIT3(1)	1-03						T17			667	667
UNIT3(1)	1-04						T04			667	667
UNIT3(1)	1-05						T04			667	667
UPS(0(1))	1-01						T04	25-4/8		668	668
UPS(0(1))	1-02						T04			668	668
UPS(0(1))	1-03						T04			668	668
UPS(0(1))	1-04						T24			668	668
UPS(0(1))	1-05						T07			668	668
UPS(0(1))	1-06						T07			668	668
UPS(0(1))	1-07						T04B			668	668
UPS(1(1))	1-01						T18	30-4/8		669	669
UPS(1(1))	1-02						T04			669	669
UPS(1(1))	1-03						T04			669	669
UPS(1(1))	1-04						T04S			669	669
UPS(1(1))	1-05						T07	25-0/8		669	669
WALL	1-01						T02			670	670
WALL	1-02						T02			670	670
WALL	1-03						T05S			670	670
WALL	1-01						T05	15-2/8		671	671
WALL	1-02						T05S			671	671
WALL	1-03						T02			671	671
WALL	1-04						T05			671	671
WALL	1-05						T03			671	671
WALL	1-01						T24S	21-2/8		672	672
WALL	1-02						T24			672	672
WALL	1-03						T05			672	672
WALL	1-04						T05			672	672

TC11.F
RUN NAME

A/P PIN NAME
HND288.V16(16) 03/31/72

Q DRAW RV PG Y X Z REMARKS

24-MAY-72 LENGTH EXCEPTIONS

PAGE 80
RUN NUMBER

UNIT NAME	UNIT	RV	PG	Y	X	Z	REMARKS	LENGTH	EXCEPTIONS	PAGE	RUN
WALL	1-01						T03			673	673
WALL	1-02						T05S	8-0/8		673	673
WCO(0)	1-01						T05			674	674
WCO(0)	1-02						T02S	10-2/8		674	674
WCO(1)	1-01						T05			675	675
WCO(1)	1-02						T02			675	675
WCO(1)	1-03						T02S	15-6/8		675	675
WCOF	1-01						T22S			676	676
WCOF	1-02						T02	8-0/8		676	676
WDATA	1-01						T05S			677	677
WDATA	1-02						T07			677	677
WDATA	1-03						T05			677	677
WDATA	1-04						T05			677	677
WDATA	1-05						T05			677	677
WDATA	1-06						T02			677	677
WDATA	1-07						T02			677	677
WDATA	1-01						T05	25-2/8		678	678
WDATA	1-02						T05S			678	678
WDATA	1-03						T02			678	678
WREN(0)							T02S	13-6/8		678	678
WREN(1)										679	679
WREN(1)	1-01						T12			680	680
WREN(1)	1-02						T12			680	680
WREN(1)	1-03						T02			680	680
WREN(1)	1-04						T02S			680	680
WREN(1)	1-05									680	680
WRITE	1-01						T05	17-0/8		681	681
WRITE	1-02						T05S			681	681
WRITE	1-03						T05			681	681
WRITE	1-04						T05			681	681
WRITE	1-05						T03			681	681

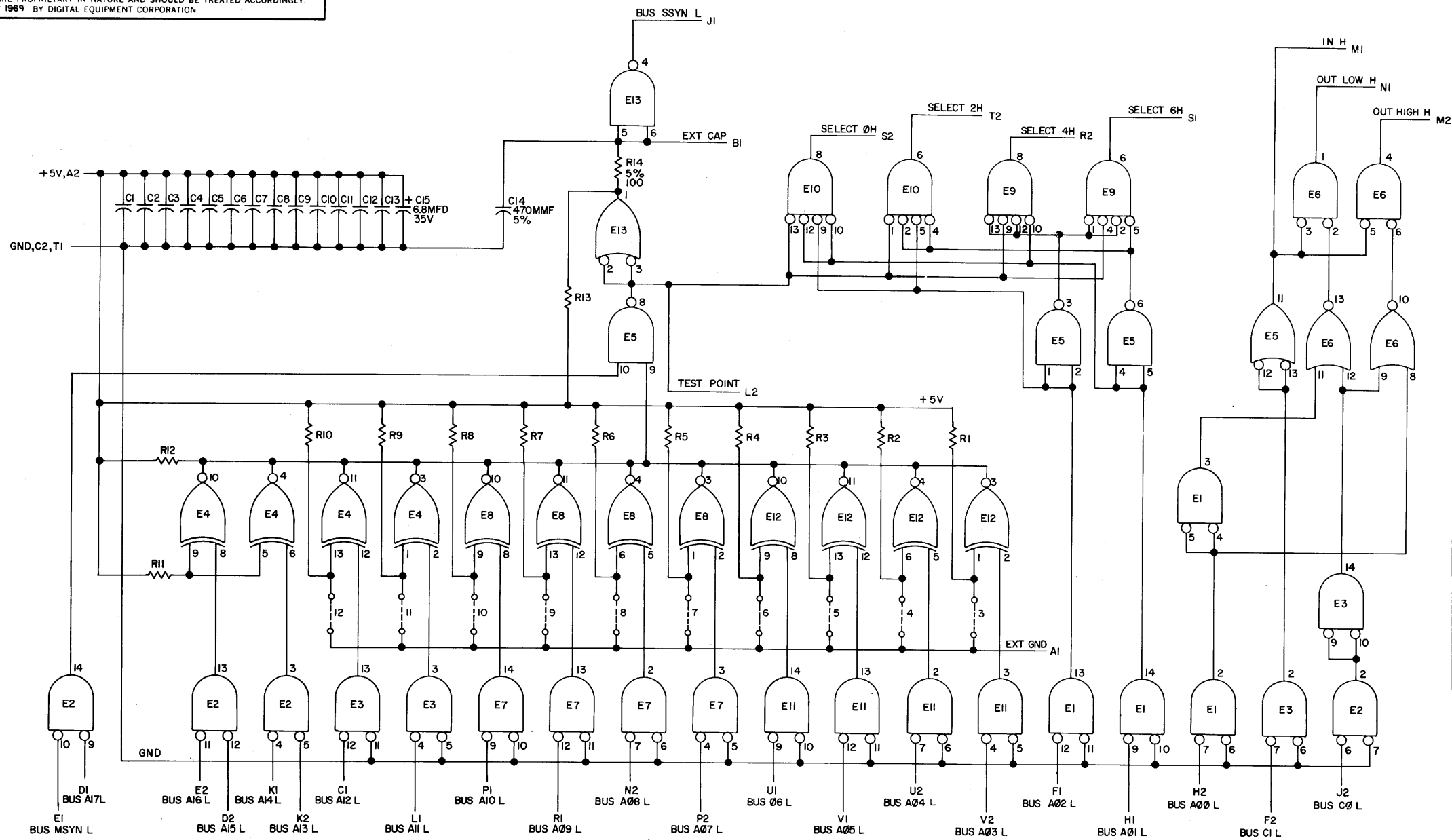
TC11.F RUN NAME	HND288.V49(16) PIN NAME	03/31/72 ORDER PIN	BAY ORDER	0 DRAW	RV	PG	Y	X	Z	REMARKS	24-MAY-72 LENGTH	21112 EXCEPTIONS	PAGE 81 RUN NUMBER
WRITE ECHO	A20S1	819H2	1-01 *	T12S					1		4-2/8		682
WRITE ECHO			1-02 *	T12									682
WRITE OK	C03F2		1-01 *	T02					2				683
WRITE OK	C00A1		1-02 *	T10					1				683
WRITE OK	C00R2		1-03 *	T12S							14-2/8		683
WRITE OK	B12S1		1-01 *	T12S					1				684
WRITE OK	C06P2		1-02 *	T12									684
WRITE OK	D06A1		1-03 *	T05							9-6/8		684
WRITE OK	D06D2		1-01 *	T03					2				685
WRITE OK	C12M2		1-02 *	T05S									685
WRITE OK	D21D2		1-03 *	T02							13-6/8		685
WRITE OK	B12A1		1-01 *	T10					1				686
WRITE OK	C12M1		1-02 *	T05S									686
WRITE OK	C19L2		1-03 *	T05					2				686
WRITE OK	C19L2		1-04 *	T05					2				686
WRITE OK	D21J2		1-05 *	T02					1				686
WRITE OK	D09R2		1-06 *	T04							30-0/8		686
WRITE OK	C29C1		1-01 *	T10					2				687
WRITE OK	C24K2		1-02 *	T24S					1				687
WRITE OK	D25U1		1-03 *	T24									687
WRITE OK	D16N1		1-04 *	T05					2		17-2/8		687
WRITE OK	D09E2		1-01 *	T03					1				688
WRITE OK	D16P1		1-02 *	T05S							7-4/8		688
WRITE OK	A12L1		1-01 *	T11S					1				689
WRITE OK	B08D1		1-02 *	T10					2		9-0/8		689
WRITE OK	B08R2		1-03 *	T11									689
WRITE OK	A12N2		1-01 *	T11S					1				690
WRITE OK	B08E1		1-02 *	T10							8-6/8		690
WRITE OK	B08L2		1-03 *	T11									690

TC11.F RUN NAME	HND288.V49(16) PIN NAME	03/31/72 ORDER PIN	BAY ORDER	0 DRAW	RV	PG	Y	X	Z	REMARKS	24-MAY-72 LENGTH	21112 EXCEPTIONS	PAGE 82 RUN NUMBER
XINIT	A08K2		1-01 *						2		14-6/8		691
XINIT	B12S2		1-02 *										691
XINIT	C21S1		1-03 *										691
ZDAT	D17J1		1-01 *	T09					2		7-4/8		692
ZDAT	D17S2		1-02 *	T09									692
ZDAT	D20R1		1-03 *	T05S									692
ZLPB	D07A1		1-01 *	T03					2				693
ZLPB	S10E1		1-02 *	T07S					1				693
ZLPB	C15A1		1-03 *	T06									693
ZLPB	C13K2		1-04 *	T06					1				693
ZLPB	D19L2		1-05 *	T02							20-0/8		693

ERROR LISTING

WIRE WRAP RUN NAME	A/P	NAME	ORDER	DAY	Q	DRAM	RV	PG	Y	X	Z	REMARKS	LENGTH	EXCEPTIONS	PAGE 1 RUN NUMBER
8088	L	AG8B1		83/31/72		T138								1-PIN RUN	117
D13N1	H	D13N1				T058								1-PIN RUN	339
DO STROBE	H	D13N2				T066								1-PIN RUN	433
LP80(0)	H	C13R2				T068								1-PIN RUN	485
LP81(0)	H	C13V1				T068								1-PIN RUN	487
LP82(0)	H	C13U1				T068								1-PIN RUN	489
LP83(0)	H	C13M1				T068								1-PIN RUN	491
LP84(0)	H	C13J1				T068								1-PIN RUN	495
LP85(0)	H	C13F1				T038								1-PIN RUN	495
MISS(0)	H	D07M1				T078								1-PIN RUN	502
MK BLK END	H	D13U1				T078								1-PIN RUN	504
MK BLK MK	L	C13D2				T078								1-PIN RUN	507
MK BLK SYNC	L	C13S2				T078								1-PIN RUN	510
MK BLK SYNC	L	D13T2				T078								1-PIN RUN	511
MK DATA	L	D13P2				T078								1-PIN RUN	512
MK DATA SYNC	L	C13J1				T078								1-PIN RUN	515
NEW UNIT SELECT	L	B13S2				T048								1-PIN RUN	522
NPR DATA CLEAR	H	B13R2				T085								1-PIN RUN	527
NPR DATA STROBE	H	B13M2				T085								1-PIN RUN	529
NPR DATA TO BUS	H	B13E2				T085								1-PIN RUN	531
READ D0	H	B13U2				T128								1-PIN RUN	562
READ D1	H	B13U2				T128								1-PIN RUN	564
READ D2	H	B13U2				T128								1-PIN RUN	566
READ MK	H	A13U2				T128								1-PIN RUN	568
READY TH	H	A13U2				T128								1-PIN RUN	570
READY ENB(0)	H	D13R2				T075								1-PIN RUN	572
SYNC	L	D13F2				T048								1-PIN RUN	634
TP01	L	D13K2				T025								1-PIN RUN	651
WREN(0)	H													1-PIN RUN	679

THIS SCHEMATIC IS FURNISHED ONLY FOR TEST AND MAINTENANCE PURPOSES. THE CIRCUITS ARE PROPRIETARY IN NATURE AND SHOULD BE TREATED ACCORDINGLY. COPYRIGHT 1969 BY DIGITAL EQUIPMENT CORPORATION.



UNLESS OTHERWISE INDICATED:
 ○---○ INDICATES JUMPERS
 RESISTORS ARE 1K, 1/4W, 5%
 CAPACITORS ARE 0.1MFD, 100V, 20%
 E1, E2, E3, E7, E11 ARE DEC380
 E4, E8, E12 ARE DEC8242
 E9, E10 ARE DEC8815
 E5 IS DEC7400
 E6 IS DEC7402
 E13 IS DEC8881
 PIN 1 ON E1, E2, E3, E7, E11 = GND
 PIN 8 ON E1, E2, E3, E7, E11 = +5V
 PIN 7 ON E4, E5, E6, E8, E9, E10, E12, E13 = GND
 PIN 14 ON E4, E5, E6, E8, E9, E10, E12, E13 = +5V

REV	BY	DATE
1	LR	11-26-69
2	LR	1-9-70
3	LR	1-9-70
4	LR	1-9-70

REV	BY	DATE
1	LR	11-26-69
2	LR	1-9-70
3	LR	1-9-70
4	LR	1-9-70

REV	BY	DATE
1	LR	11-26-69
2	LR	1-9-70
3	LR	1-9-70
4	LR	1-9-70

REV	BY	DATE
1	LR	11-26-69
2	LR	1-9-70
3	LR	1-9-70
4	LR	1-9-70

REV	BY	DATE
1	LR	11-26-69
2	LR	1-9-70
3	LR	1-9-70
4	LR	1-9-70

REV	BY	DATE
1	LR	11-26-69
2	LR	1-9-70
3	LR	1-9-70
4	LR	1-9-70

REV	BY	DATE
1	LR	11-26-69
2	LR	1-9-70
3	LR	1-9-70
4	LR	1-9-70

REV	BY	DATE
1	LR	11-26-69
2	LR	1-9-70
3	LR	1-9-70
4	LR	1-9-70

DEC FORM NO. DRC 102

15 449-P6

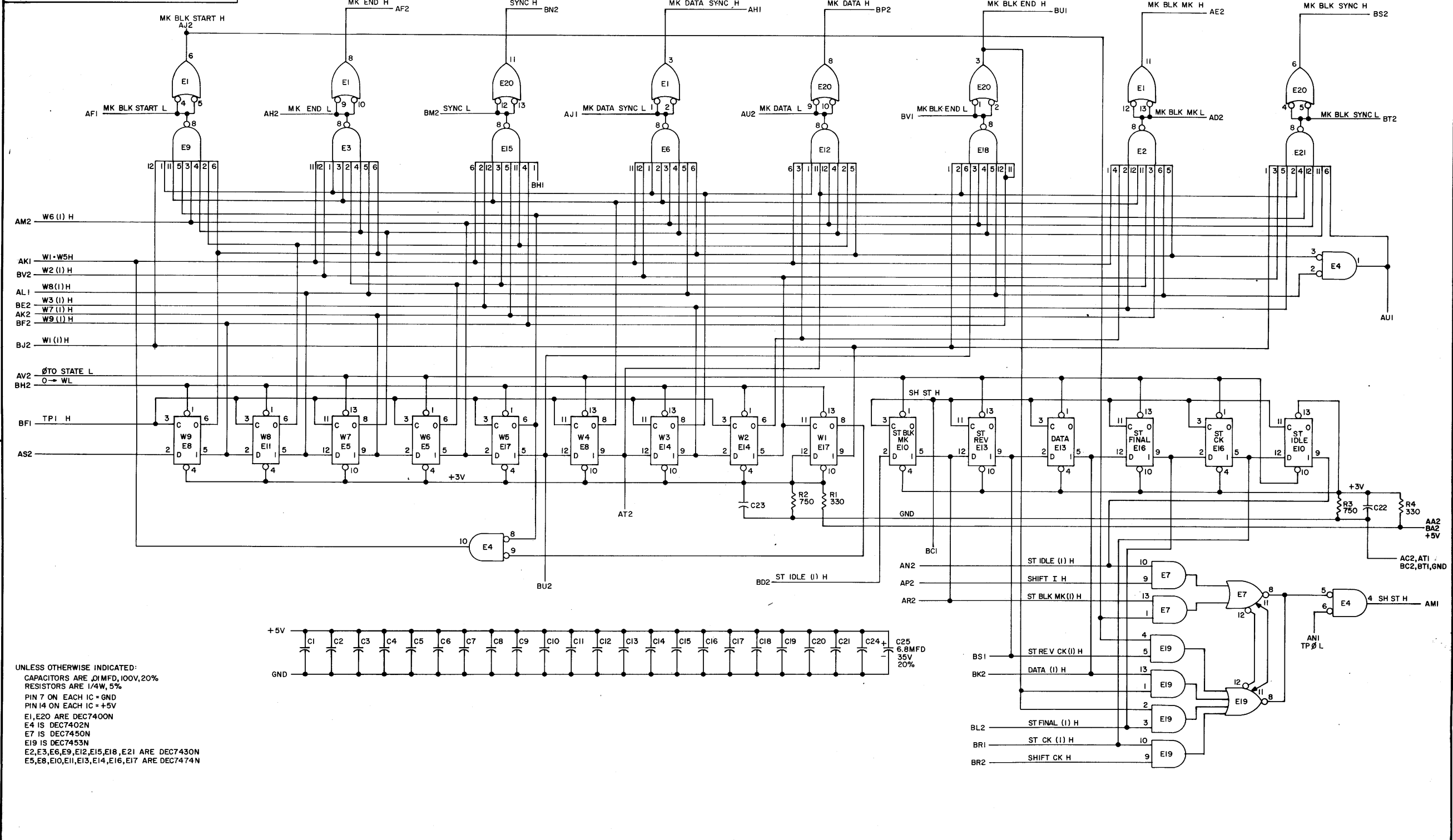
Dist. 3-1-70

5

20

REV. B
 NUMBER MI05-0-1
 C CS

THIS SCHEMATIC IS FURNISHED ONLY FOR TEST AND MAINTENANCE PURPOSES. THE CIRCUITS ARE PROPRIETARY IN NATURE AND SHOULD BE TREATED ACCORDINGLY. COPYRIGHT 1969 BY DIGITAL EQUIPMENT CORPORATION



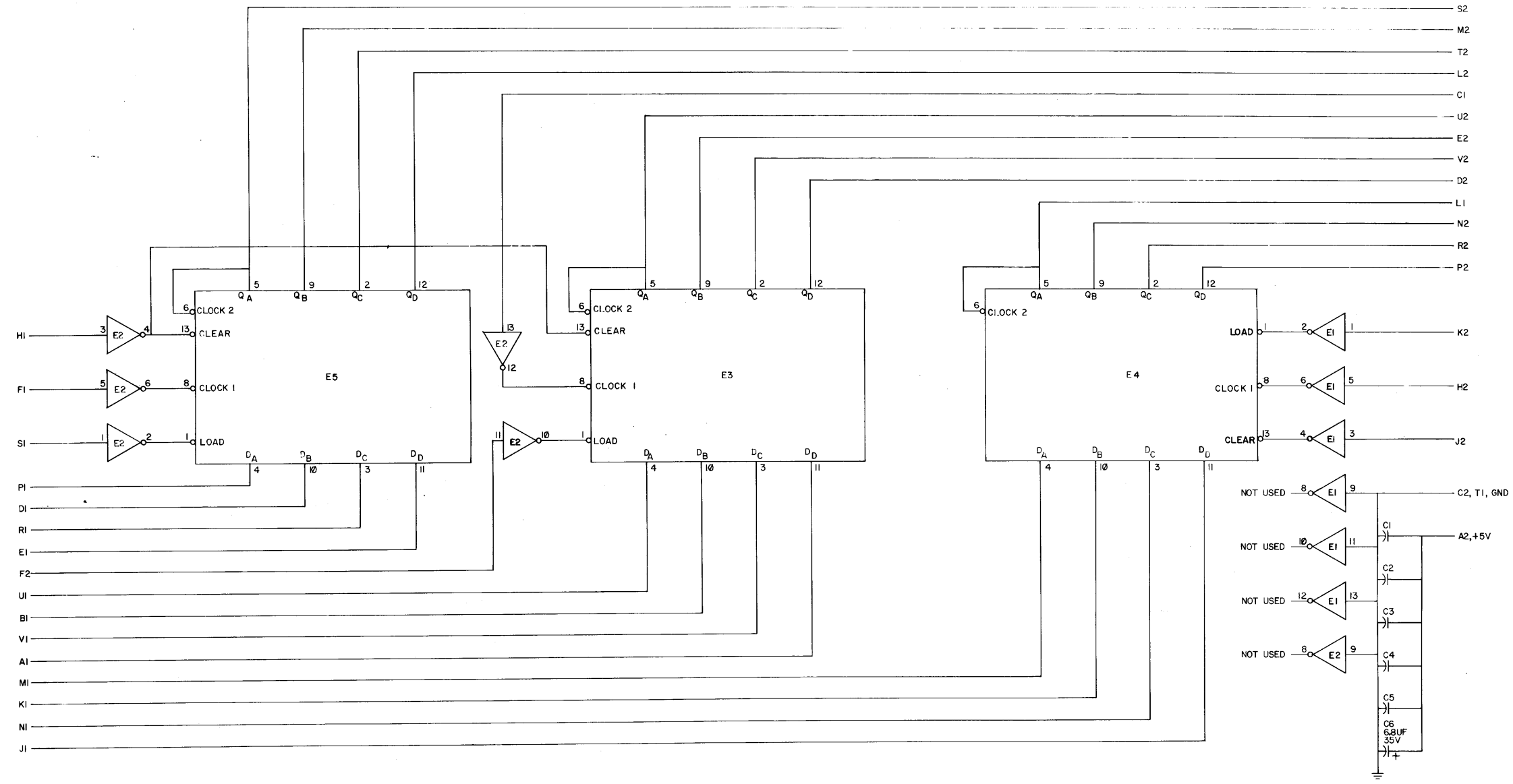
UNLESS OTHERWISE INDICATED:
CAPACITORS ARE .01MFD, 100V, 20%
RESISTORS ARE 1/4W, 5%
PIN 7 ON EACH IC = GND
PIN 14 ON EACH IC = +5V
E1, E20 ARE DEC7400N
E4 IS DEC7402N
E7 IS DEC7450N
E19 IS DEC7453N
E2, E3, E6, E9, E12, E15, E18, E21 ARE DEC7430N
E5, E8, E10, E11, E13, E14, E16, E17 ARE DEC7474N

REVISIONS		DRN: BUTLER	DATE: 8.9.69	TRANSISTOR & DIODE CONVERSION CHART		TITLE: MARK TRACK DECODER M228	
DATE	BY	DEC	EIA	DEC	EIA	SIZE: D	CODE: CS
DATE	BY					NUMBER: M228-0-1	REV: A
DATE	BY					PRINTED CIRCUIT REV.	

1-0-822W S3 D #3840N 3000 3/15

REV. 1
NUMBER M228-0-1
DATE CODE D CS

THIS SCHEMATIC IS FURNISHED ONLY FOR TEST AND MAINTENANCE PURPOSES. THE CIRCUITS ARE PROPRIETARY IN NATURE AND SHOULD BE TREATED ACCORDINGLY. COPYRIGHT 1968 BY DIGITAL EQUIPMENT CORPORATION



UNLESS OTHERWISE INDICATED:
 CAPACITORS ARE .01UF, 100V, 20%
 E3, E4, E5 ARE DEC74197
 E1, E2 ARE DEC74H04
 ON ALL IC'S PIN 14 = +5V, PIN 7 = GND

REV	DATE	BY
1		

CHK'D	DATE

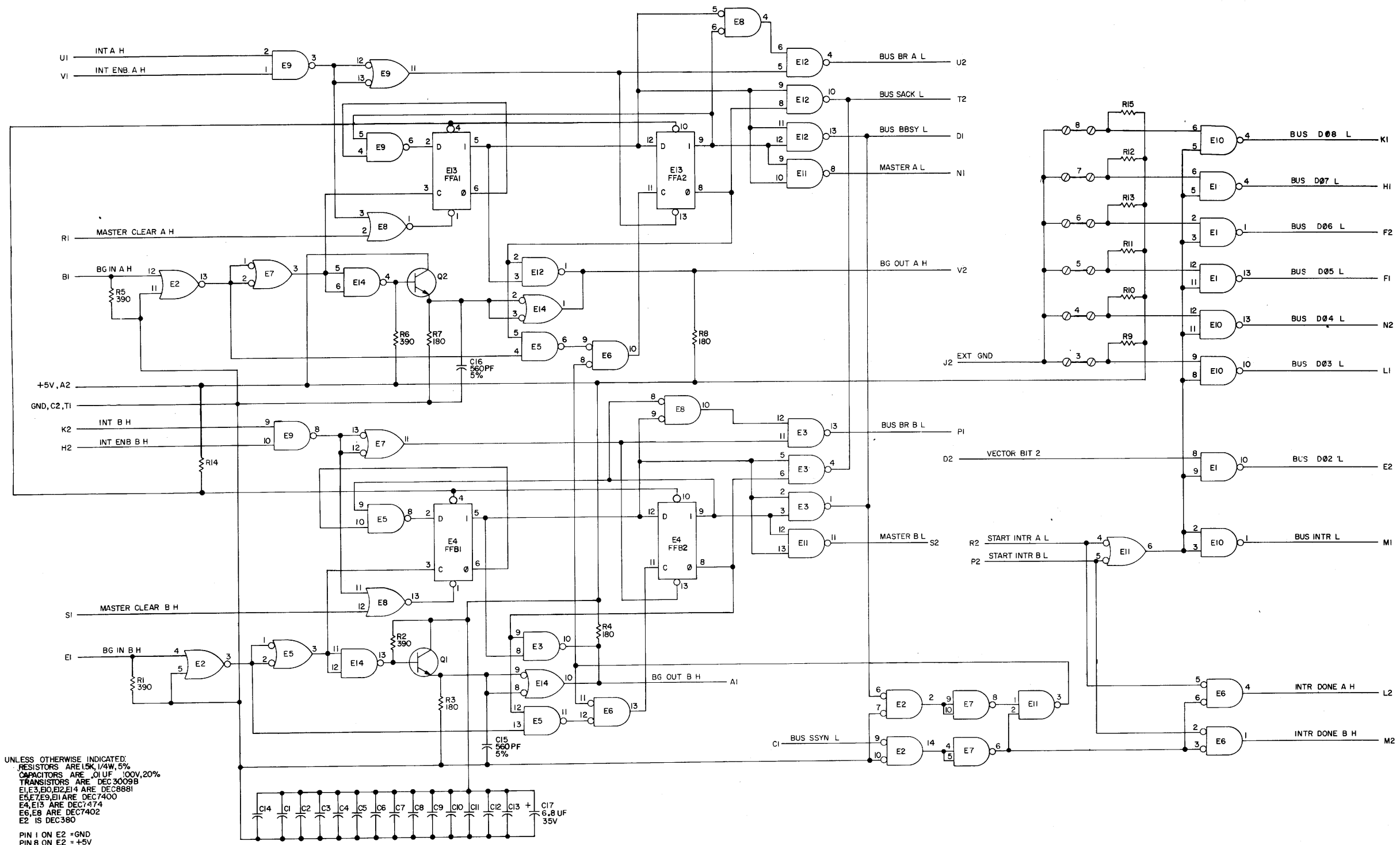
TRANSISTOR & DIODE CONVERSION CHART			
DEC	EIA	DEC	EIA

digital
 EQUIPMENT CORPORATION
 MAYFORD, MASSACHUSETTS

TITLE		NUMBER		REV.
THREE 4-BIT COUNTER/REGISTER		M239-0-1		A
SIZE	CODE	PRINTED CIRCUIT REV.		
D	CS	A		

PINK

THIS SCHEMATIC IS FURNISHED ONLY FOR TEST AND MAINTENANCE PURPOSES. THE CIRCUITS ARE PROPRIETARY IN NATURE AND SHOULD BE TREATED ACCORDINGLY. COPYRIGHT 1970 BY DIGITAL EQUIPMENT CORPORATION.



UNLESS OTHERWISE INDICATED:
RESISTORS ARE 1/4W, 5%
CAPACITORS ARE .01 UF 100V, 20%
TRANSISTORS ARE DEC 3009B
E1, E3, E10, E12, E14 ARE DEC 8881
E5, E7, E9, E11 ARE DEC 7400
E4, E13 ARE DEC 7474
E6, E8 ARE DEC 7402
E2 IS DEC 380

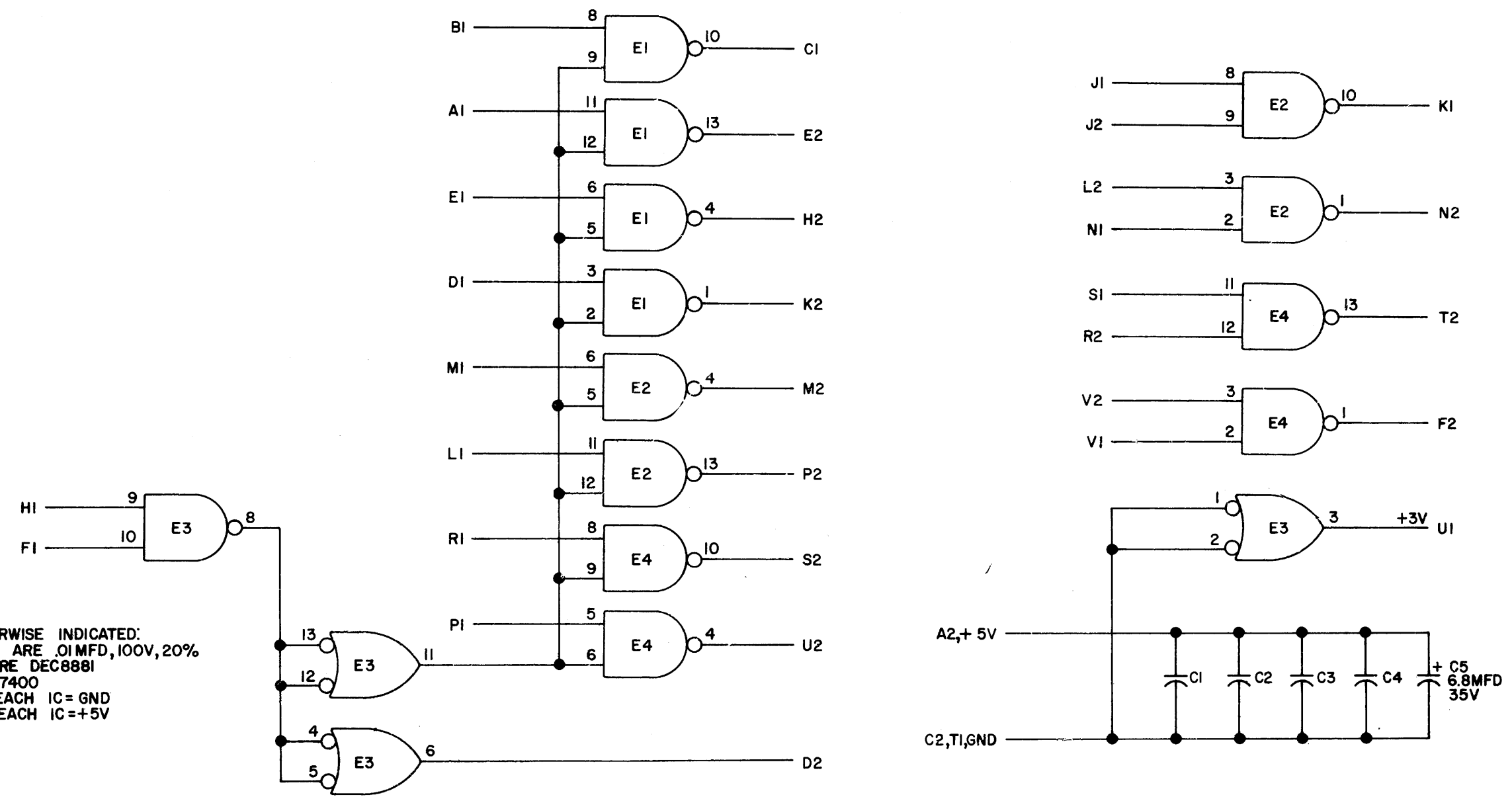
PIN 1 ON E2 = GND
PIN 8 ON E2 = +5V
PIN 7 ON E1, E3 - E14 = GND
PIN 14 ON E1, E3 - E14 = +5V
⊗ = SPLIT LUGS
— = JUMPERS

REV	DATE	BY	CHKD
1	12/18/70	S. COOPER	
2	1/11/71	W. WOODWARD	
3	7-2-71	W. WOODWARD	

TRANSISTOR & DIODE CONVERSION CHART			
DATE	DEC	EIA	EIA
DEC 30 1969		2N3009B	

digital		EQUIPMENT CORPORATION		MAYFORD, MASSACHUSETTS	
M7820-0-1		M7820-0-1		M7820-0-1	
REV B		REV B		REV B	

THIS SCHEMATIC IS FURNISHED ONLY FOR TEST AND MAINTENANCE PURPOSES. THE CIRCUITS ARE PROPRIETARY IN NATURE AND SHOULD BE TREATED ACCORDINGLY. COPYRIGHT 1969 BY DIGITAL EQUIPMENT CORPORATION



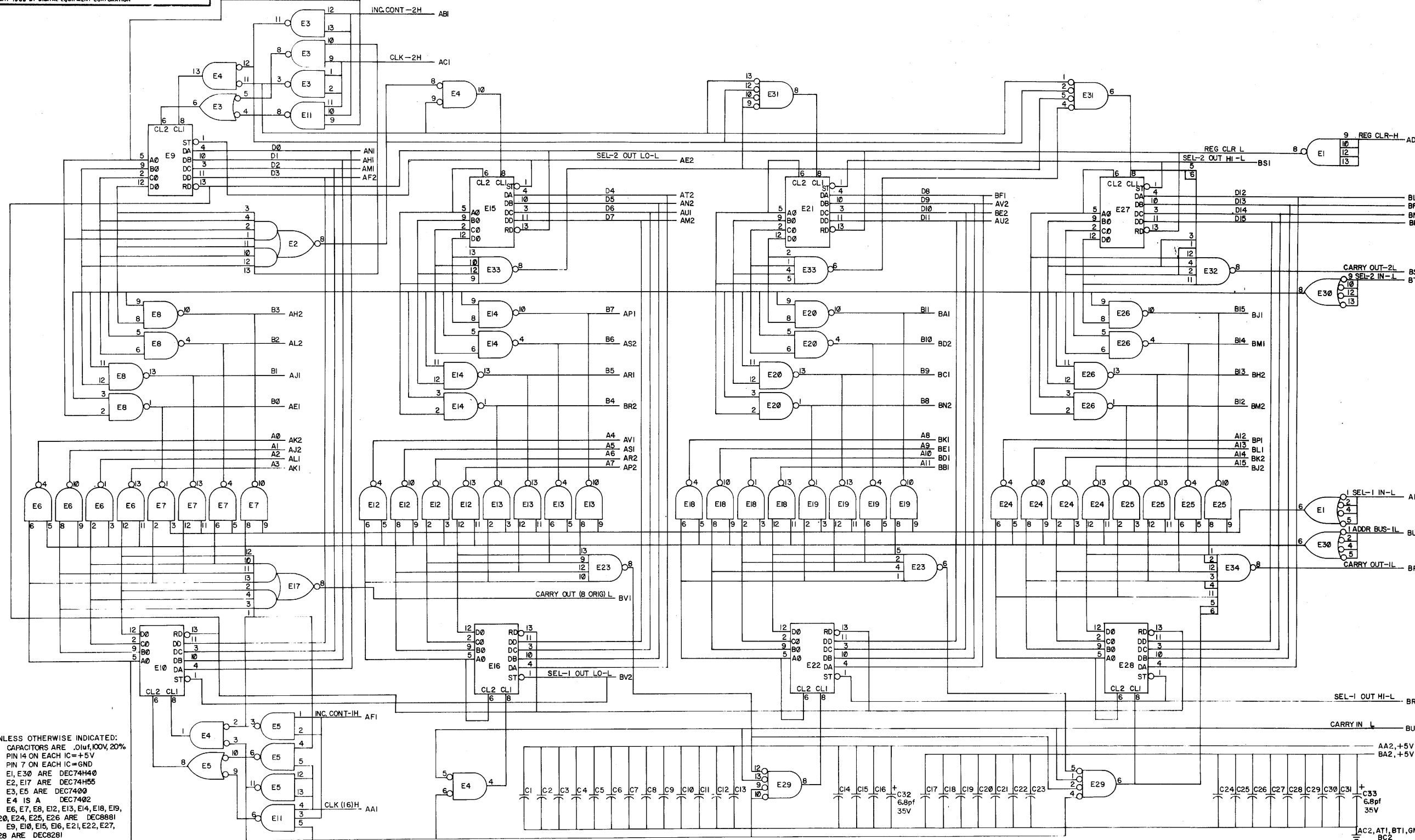
UNLESS OTHERWISE INDICATED:
CAPACITORS ARE .01 MFD, 100V, 20%
E1, E2, E4 ARE DEC8881
E3 IS DEC7400
PIN 7 ON EACH IC = GND
PIN 14 ON EACH IC = +5V

REVISIONS CHK CHG NO. REV.	DRN. <i>A. Ritey</i>	DATE 11-21-69	TRANSISTOR & DIODE CONVERSION CHART				 DIGITAL EQUIPMENT CORPORATION MAYNARD, MASSACHUSETTS	TITLE UNIBUS DRIVERS M783			
	CHK'D <i>T. M. ...</i>	DATE 1-7-70	DEC	EIA	DEC	EIA		SIZE B	CODE CS	NUMBER M783-0-1	REV.
	ENG. <i>V. E. ...</i>	DATE 2/25/70									
	PROD.	DATE									
DEC FORM NO. DRB 102							PRINTED CIRCUIT REV. A B				

5 DIST: 324, 434, 435³ PINK

THIS SCHEMATIC IS FURNISHED ONLY FOR TEST AND MAINTENANCE PURPOSES. THE CIRCUITS ARE PROPRIETARY IN NATURE AND SHOULD BE TREATED ACCORDINGLY. COPYRIGHT 1969 BY DIGITAL EQUIPMENT CORPORATION.

9
A28
1-0-96LW
SC
D
32021 3215



UNLESS OTHERWISE INDICATED:
CAPACITORS ARE .01uf, 100V, 20%
PIN 14 ON EACH IC = +5V
PIN 7 ON EACH IC = GND
E1, E30 ARE DEC74H40
E2, E17 ARE DEC74H55
E3, E5 ARE DEC7400
E4 IS A DEC7402
E6, E7, E8, E12, E13, E14, E18, E19,
E20, E24, E25, E26 ARE DEC8881
E9, E10, E15, E16, E21, E22, E27,
E28 ARE DEC8281
E11 IS A DEC7410
E33, E23 ARE DEC7420
E29, E31 ARE DEC8815
E32, E34 ARE DEC7430

REV	DATE	BY	CHKD
1	7-8-70	jeanne french	
2			
3			

DATE	BY	DATE	BY
7-8-70	jeanne french		

TRANSISTOR & DIODE CONVERSION CHART			
DEC	EIA	DEC	EIA

digital
EQUIPMENT CORPORATION
MAYNARD, MASSACHUSETTS

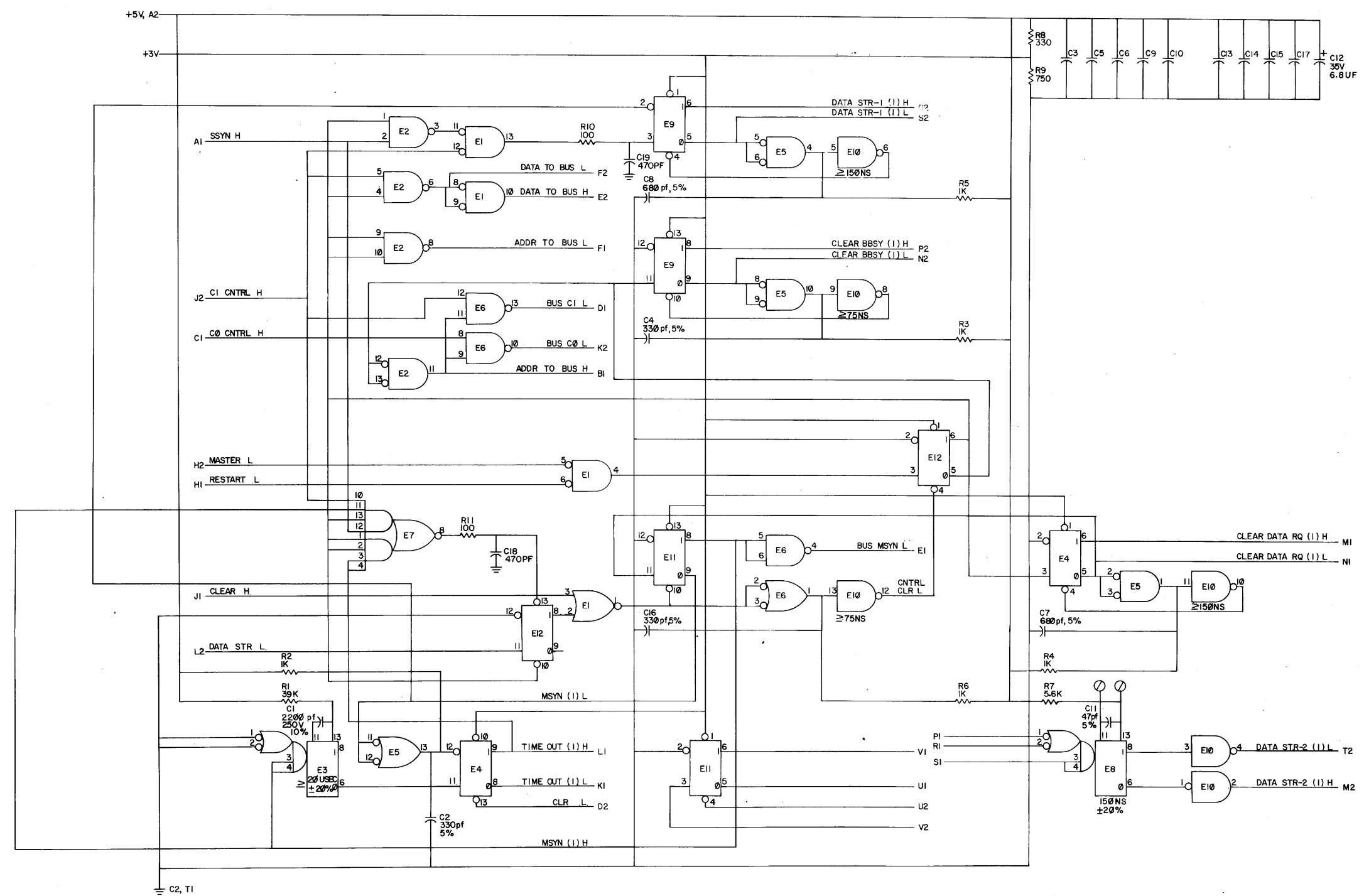
TITLE: WC AND CMA MODULE
M795

SIZE: D CS
NUMBER: M795-0-1
REV: B

PRINTED CIRCUIT REV: A|B|C

REV B
M795-0-1
CS

THIS SCHEMATIC IS FURNISHED ONLY FOR TEST AND MAINTENANCE PURPOSES. THE CIRCUITS ARE PROPRIETARY IN NATURE AND SHOULD BE TREATED ACCORDINGLY. COPYRIGHT 1970 BY DIGITAL EQUIPMENT CORPORATION



UNLESS OTHERWISE INDICATED:
 RESISTORS ARE 1/4W, 5%
 CAPACITORS ARE .01µf, 100V, 20%
 E1 IS DEC7402
 E2 IS DEC7400
 E3, E8 ARE DEC9601
 E4, E9, E11, E12 ARE DEC7474
 E5 IS DEC7401
 E6 IS DEC8881
 E7 IS DEC74H55
 E10 IS DE7404
 ⊕ = SPLIT LUGS

REV C
 NUMBER M7.96-0-1
 CS
 D

REV	NO	REV
1	00001	4
2	00002	8
3	00003	12
4	00004	16
5	00005	20
6	00006	24
7	00007	28
8	00008	32
9	00009	36
10	00010	40

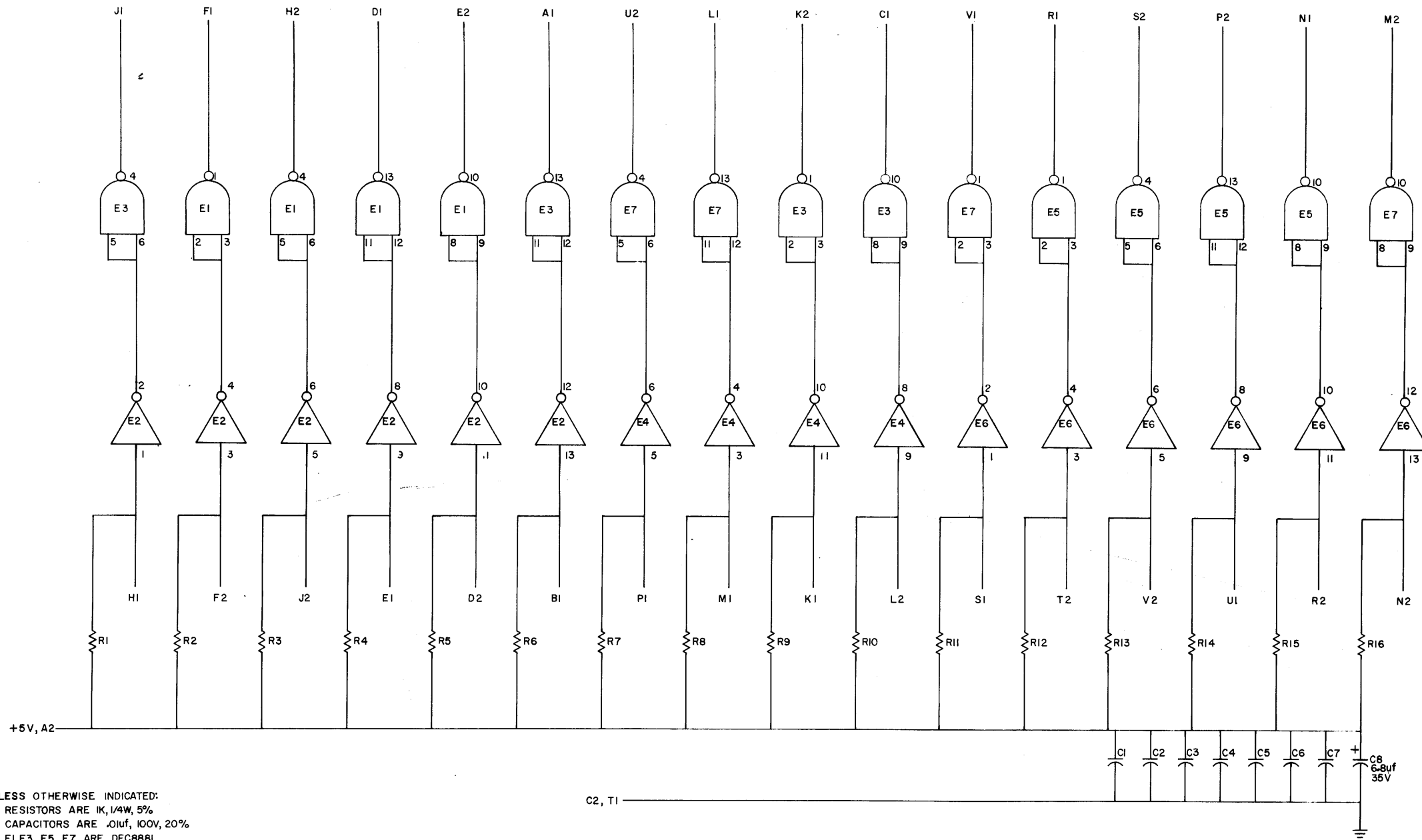
DATE	12/29/70
DATE	12/29/70
DATE	12/29/70
DATE	12/29/70

TRANSISTOR & DIODE CONVERSION CHART			
DEC	EIA	DEC	EIA

digital
EQUIPMENT CORPORATION
 MATHEW, MASSACHUSETTS

TITLE: UNIBUS MASTER CONTROL M7.96
 NUMBER: M7.96-0-1
 PRINTED CIRCUIT REV: C

THIS SCHEMATIC IS FURNISHED ONLY FOR TEST AND MAINTENANCE PURPOSES. THE CIRCUITS ARE PROPRIETARY IN NATURE AND SHOULD BE TREATED ACCORDINGLY. COPYRIGHT 1970 BY DIGITAL EQUIPMENT CORPORATION



UNLESS OTHERWISE INDICATED:
 RESISTORS ARE 1K, 1/4W, 5%
 CAPACITORS ARE .01uF, 100V, 20%
 E1, E3, E5, E7 ARE DEC8881
 E2, E4, E6 ARE DEC7404

REV. A
 NUMBER M798-0-1
 SIZE CODE C CS

REVISIONS	CHK	CHG	NO.	REV.
			00001	A

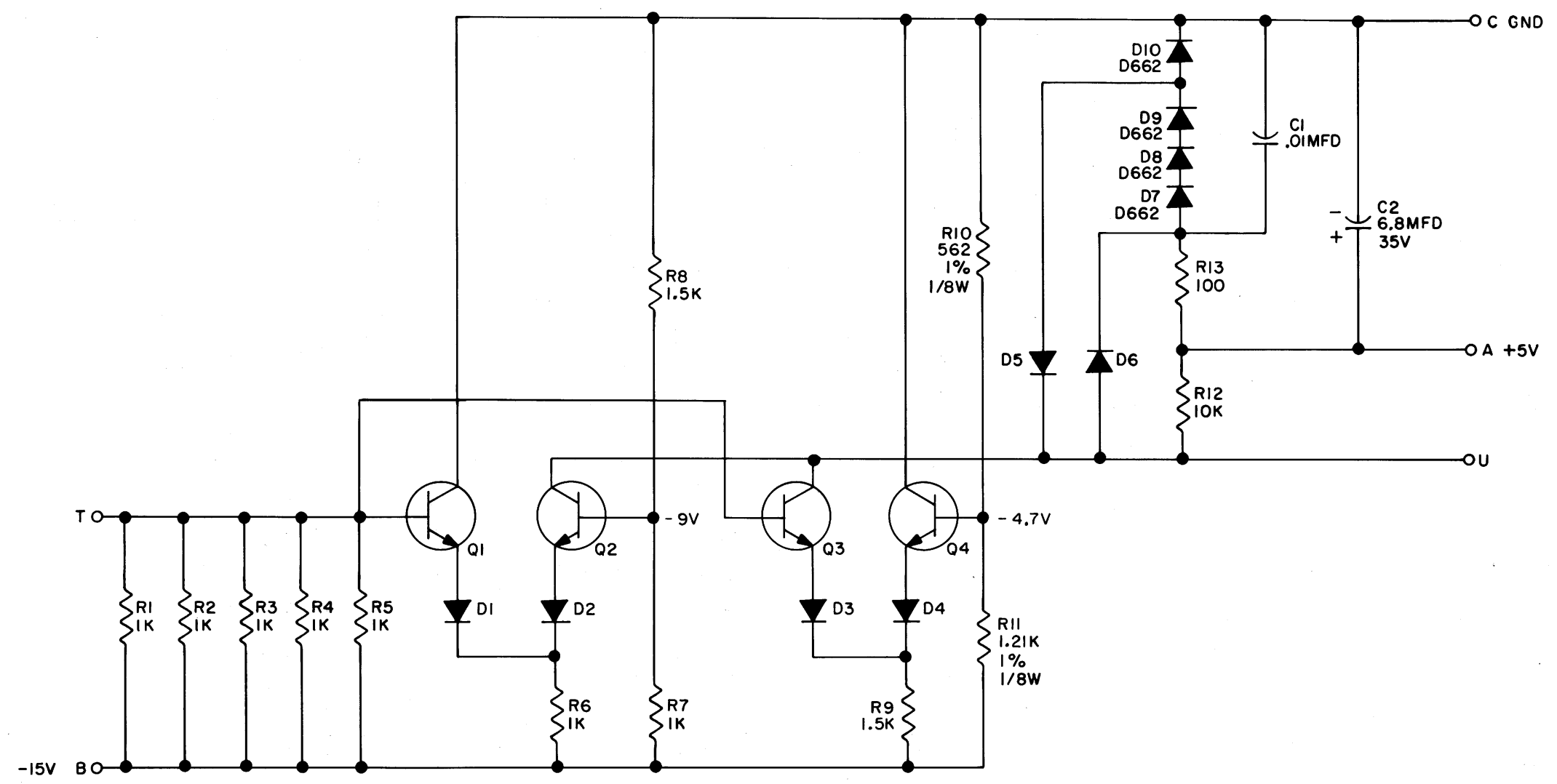
DRN. <i>James French</i>	DATE 7/1/70
CHK'D <i>J. P. M...</i>	DATE 7-28-70
ENG. <i>G. E...</i>	DATE 8/1/70
PROD.	DATE

TRANSISTOR & DIODE CONVERSION CHART			
DEC	EIA	DEC	EIA

digital
 EQUIPMENT CORPORATION
 MAYNARD, MASSACHUSETTS

TITLE UNIBUS DRIVER		NUMBER M798-0-1		REV. A
SIZE C	CODE CS	PRINTED CIRCUIT REV. B		

THIS SCHEMATIC IS FURNISHED ONLY FOR TEST AND MAINTENANCE PURPOSES. THE CIRCUITS ARE PROPRIETARY IN NATURE AND SHOULD BE TREATED ACCORDINGLY. COPYRIGHT 1969 BY DIGITAL EQUIPMENT CORPORATION



UNLESS OTHERWISE INDICATED:
 RESISTORS ARE 1/4W, 5%
 DIODES ARE D664
 TRANSISTORS ARE DEC3009B

REVISIONS	CHK	CHG NO.	REV.

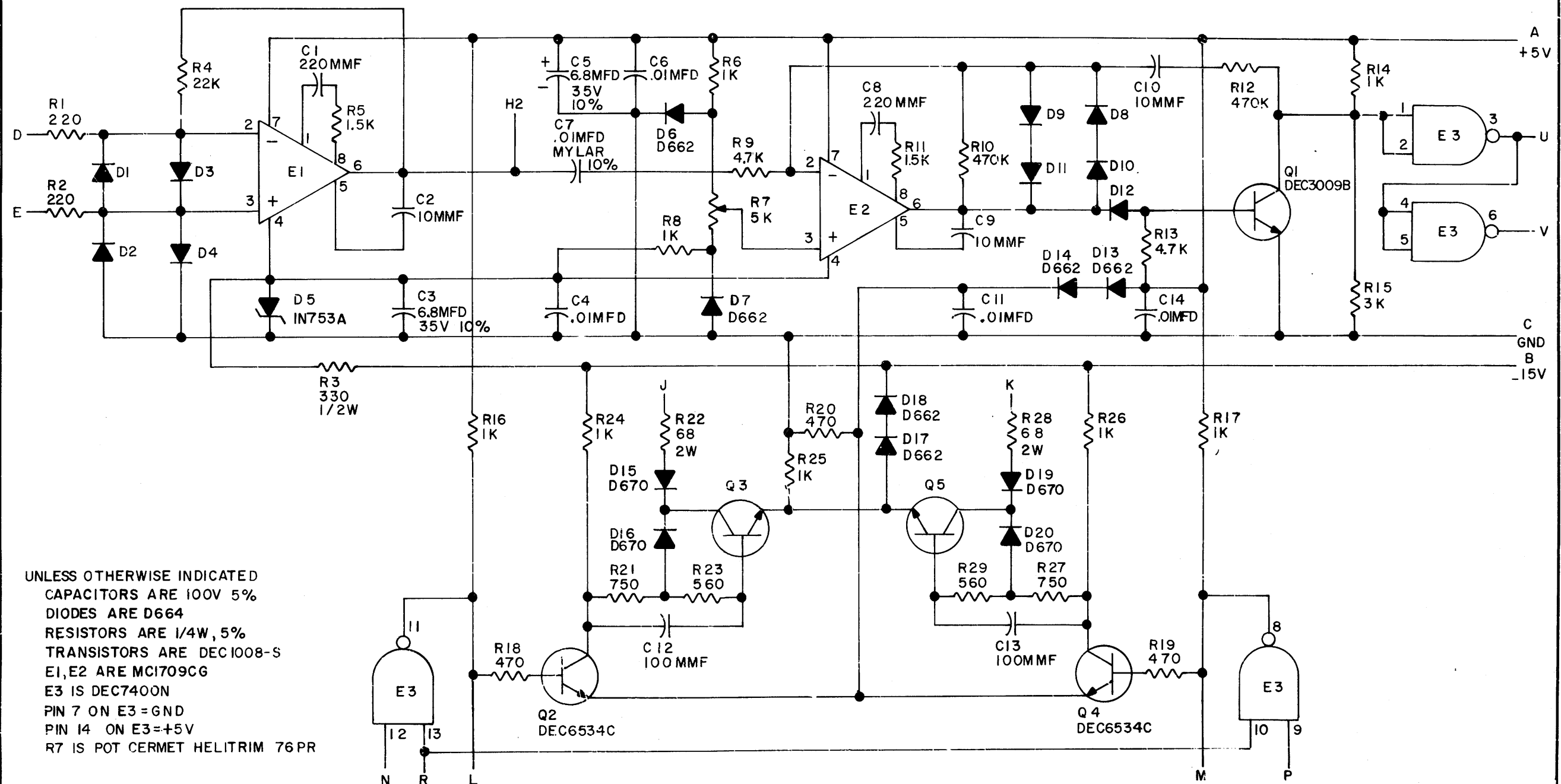
DRN.	DATE
BUTLER	7/2/69
CHK'D	DATE
Q. Yang	7/7/69
ENGR.	DATE
D. Zuber	8/13/69
PROD.	DATE

TRANSISTOR & DIODE CONVERSION CHART			
DEC	EIA	DEC	EIA
D664	IN3606		
D662	IN645		
DEC3009B	2N3009		

digital
 EQUIPMENT CORPORATION
 MAYNARD, MASSACHUSETTS

TITLE			
TRANSPORT DETECTOR G879			
SIZE	CODE	NUMBER	REV.
B	CS	G879-0-1	
PRINTED CIRCUIT REV.			A

THIS SCHEMATIC IS FURNISHED ONLY FOR TEST AND MAINTENANCE PURPOSES. THE CIRCUITS ARE PROPRIETARY IN NATURE AND SHOULD BE TREATED ACCORDINGLY. COPYRIGHT 1969 BY DIGITAL EQUIPMENT CORPORATION



UNLESS OTHERWISE INDICATED
 CAPACITORS ARE 100V 5%
 DIODES ARE D664
 RESISTORS ARE 1/4W, 5%
 TRANSISTORS ARE DEC1008-S
 E1, E2 ARE MC1709CG
 E3 IS DEC7400N
 PIN 7 ON E3 = GND
 PIN 14 ON E3 = +5V
 R7 IS POT CERMET HELITRIM 76 PR

REVISIONS	CHK	CHG	NO	REV

DRN. <i>A. Clemens</i>	DATE 8-29-69
CHK'D <i>J. P. Hallett</i>	DATE 9/3/69
ENG. <i>J. Calver</i>	DATE 9/25/69
PROD.	DATE

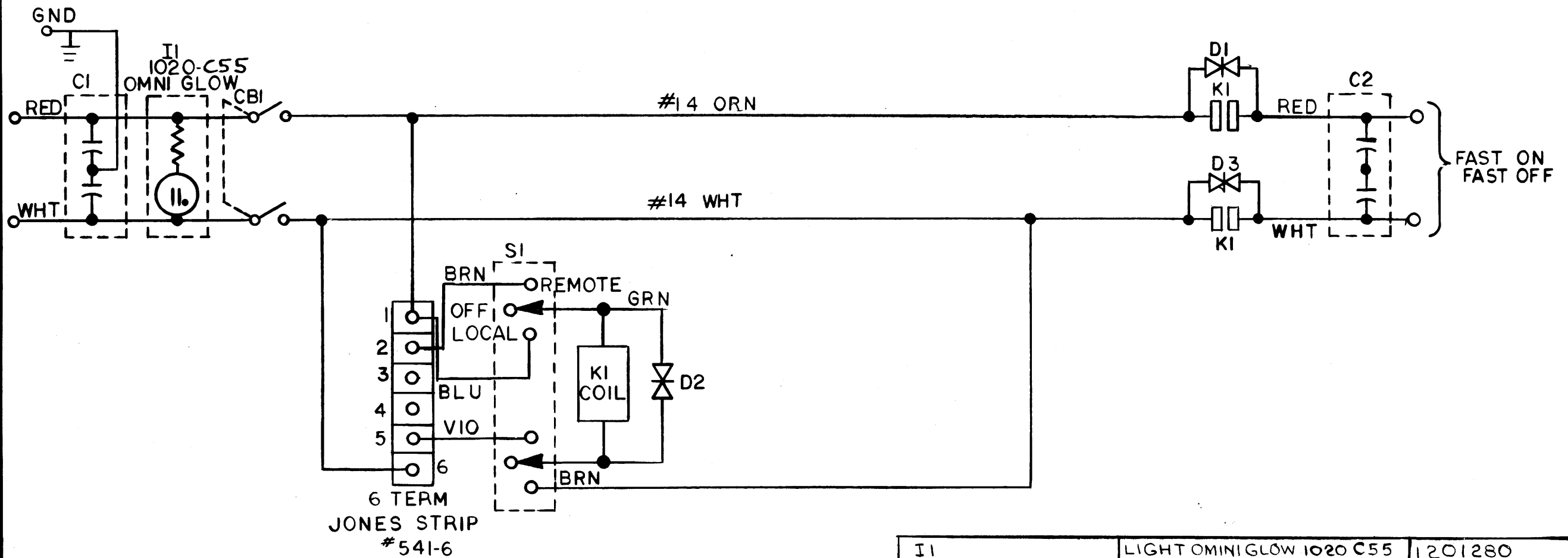
TRANSISTOR & DIODE CONVERSION CHART			
DEC		EIA	
D664	IN3606	DEC1008-S	MM1008
D662	IN645		
D670	SAME		
DEC3009B	2N3009B		
DEC6534C	MPS6534		

digital
 EQUIPMENT CORPORATION
 MAYNARD, MASSACHUSETTS

TITLE MANCHESTER READER/WRITER G888			
SIZE B	CODE CS	NUMBER G888-0-1	REV. A
PRINTED CIRCUIT REV.			

REV. A
NUMBER CS 854-0-1
SIZE CODE B

THIS SCHEMATIC IS FURNISHED ONLY FOR TEST AND MAINTENANCE PURPOSES. THE CIRCUITS ARE PROPRIETARY IN NATURE AND SHOULD BE TREATED ACCORDINGLY. COPYRIGHT 1968 BY DIGITAL EQUIPMENT CORPORATION



I1	LIGHT OMNI GLOW 1020 C55	1201280
D1, D2, D3	DIODE THY 6RS20SP4B4	1100106
CBI	CIR BREAKER*190-220-104	1201218
K1	RELAY EM-4, 115V	1205768
SI	TOGGLE SW CH 7563K6	1205964
C1 & C2	CAP. 2X .1MFD 1KVDC	1000034
	PARTS LIST	A-PL-854-0-0
REF DESIGNATION	DESCRIPTION	PART NO

PARTS LIST

REVISIONS	CHK	CHG NO.	REV.
		00002	A

DRN. P. LeBlanc	DATE 10-21-68
CHK. J. Ladden	DATE 11/7/68
ENG. G.W. GERELDS	DATE 11/13/68
PROD. G.W. GERELDS	DATE 11/15/68

TRANSISTOR & DIODE CONVERSION CHART			
DEC	EIA	DEC	EIA

digital	
EQUIPMENT CORPORATION	
MAYNARD, MASSACHUSETTS	

TITLE POWER CONTROL			
854			
SIZE	CODE	NUMBER	REV.
B	CS	854-0-1	A
PRINTED CIRCUIT REV.			

DEC FORM NO. DRB 102

DIST: 324 434 435 331 402 438 PINK