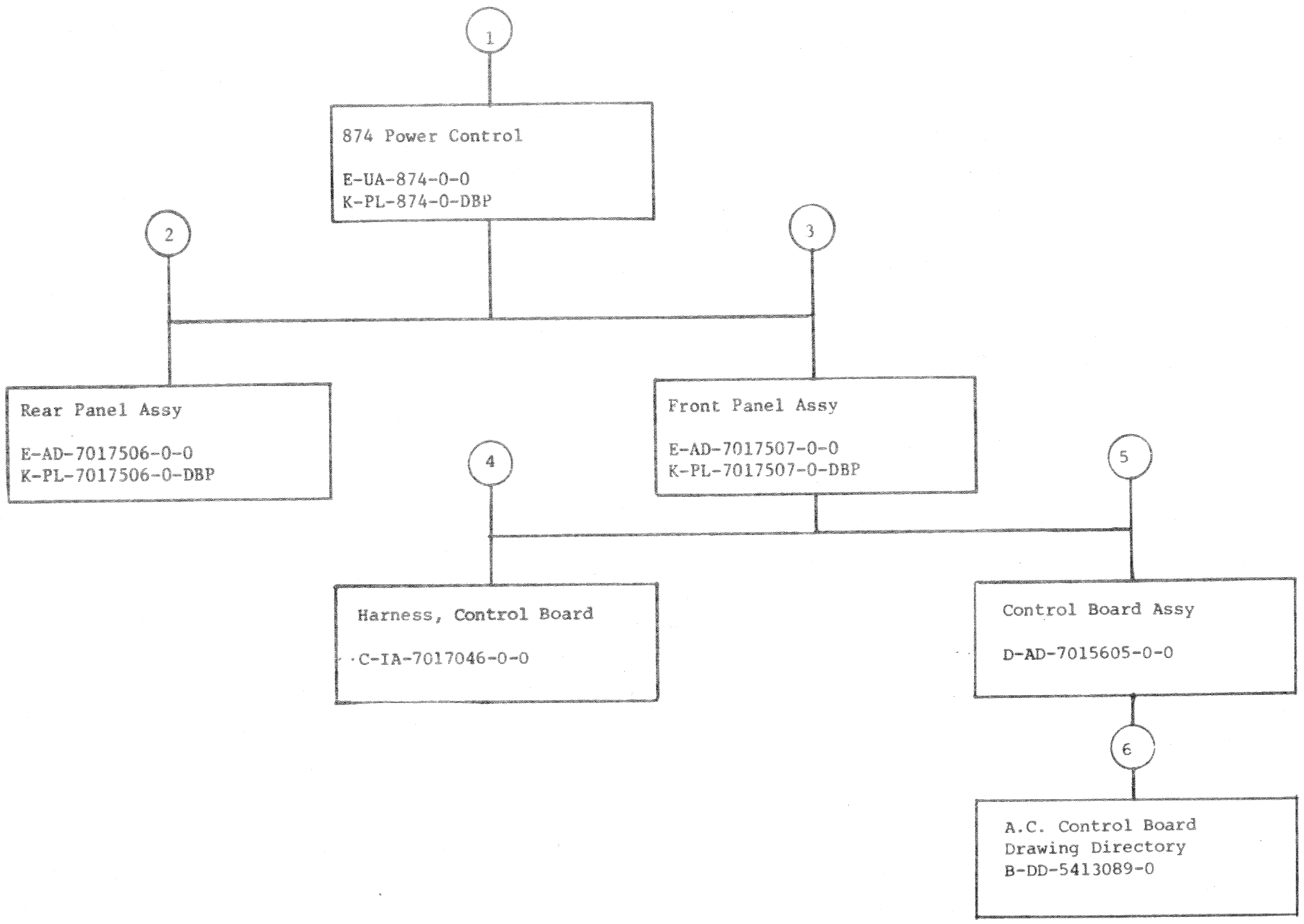
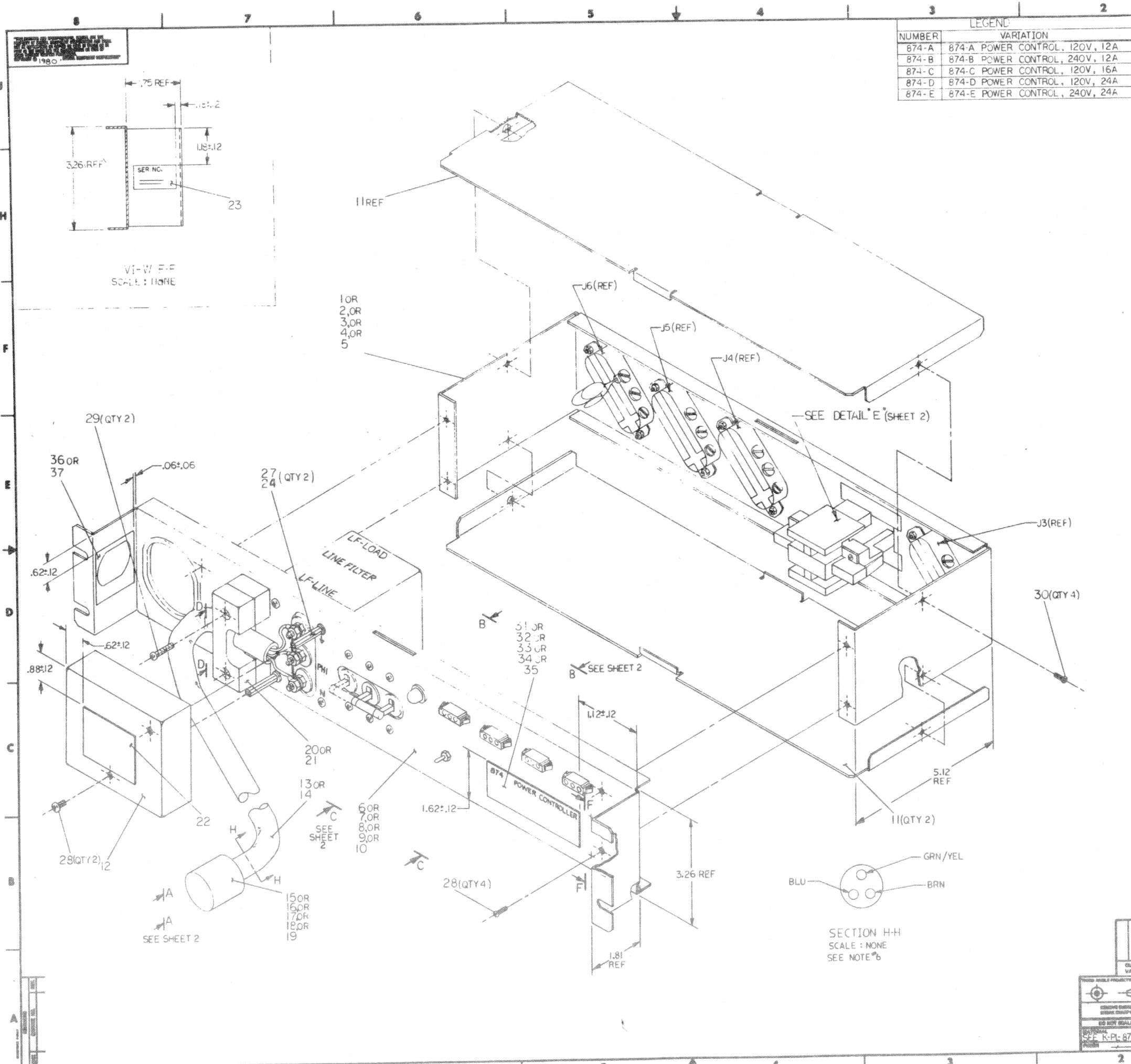


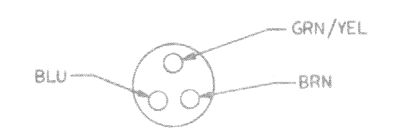
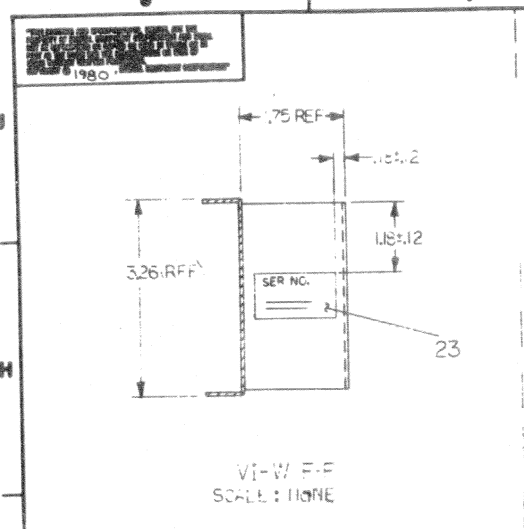
"THIS DRAWING AND SPECIFICATIONS, HEREIN, ARE THE PROPERTY OF DIGITAL EQUIPMENT CORPORATION AND SHALL NOT BE REPRODUCED OR COPIED OR USED IN WHOLE OR IN PART AS THE BASIS FOR THE MANUFACTURE OR SALE OF ITEMS WITHOUT WRITTEN PERMISSION. 1980
 COPYRIGHT © DIGITAL EQUIPMENT CORPORATION"





LEGEND	
NUMBER	VARIATION
874-A	874-A POWER CONTROL, 120V, 12A
874-B	874-B POWER CONTROL, 240V, 12A
874-C	874-C POWER CONTROL, 120V, 16A
874-D	874-D POWER CONTROL, 120V, 24A
874-E	874-E POWER CONTROL, 240V, 24A

- NOTES:
- REQUIRED TORQUE LEVELS FOR CERTAIN ELECTRO-MECHANICAL CONNECTIONS:
 - 18±2 INCH LBS FOR TERMINALS ON LINE FILTER.
 - 12±2 INCH LBS FOR 8-32 SCREW CONNECTIONS ON CIRCUIT BREAKER (CBI).
 - FOR 874 CIRCUIT SCHEMATIC, SEE DWG D-CS-874-0-1.
 - THE BLU AND BRN WIRES FROM CONTACTOR (K1) TO CIRCUIT BREAKER (CBI) ARE TO BE HELD TOGETHER WITH 3 EQUALLY SPACED TIE WRAPS (ITEM 40). THE WIRES ARE TO BE ROUTED IN SUCH A MANNER AS TO NOT COME IN CONTACT WITH THE CONTROL BOARD ON THE FRONT PANEL.
 - ADD ONE TIE WRAP (ITEM 40) TO BLUE AND BROWN WIRES 1/2 WAY BETWEEN J4 & J5 ON REAR PANEL TO KEEP WIRES FROM COMING IN CONTACT WITH TERMINALS ON LINE FILTER.
 - ITEMS 41, 42, AND 43 ARE TO BE SHIPPED WITH UNIT INSIDE ITEM 45 (COTTON BAG).
 - TO ENSURE YOU HAVE THE PROPER END OF THE CABLE FOR CORRECT ALIGNMENT OF WIRES TO THE CONNECTOR, THE PLUG END OF THE CABLE SHOULD BE PER SECTION H-H (THIS SHEET).



FOR PARTS LIST REF TO K-PL-874-0-DBP.

DESCRIPTION	QTY	UNIT
874 POWER CONTROL ASSY	1	EA

REV. 1	DATE 10/1/80	BY JUA	CHK'D BY JUA
REV. 2	DATE 10/1/80	BY JUA	CHK'D BY JUA
REV. 3	DATE 10/1/80	BY JUA	CHK'D BY JUA
REV. 4	DATE 10/1/80	BY JUA	CHK'D BY JUA
REV. 5	DATE 10/1/80	BY JUA	CHK'D BY JUA

K-PL-874-0-0

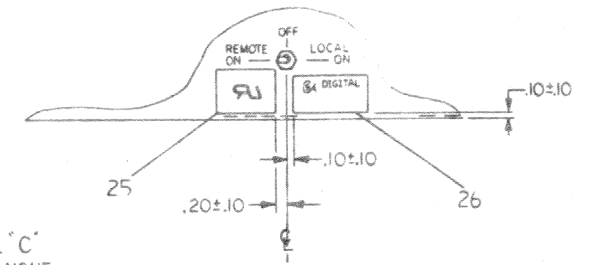
1 TW

WIRE TABLE (VARIATIONS 874 A, B & C)

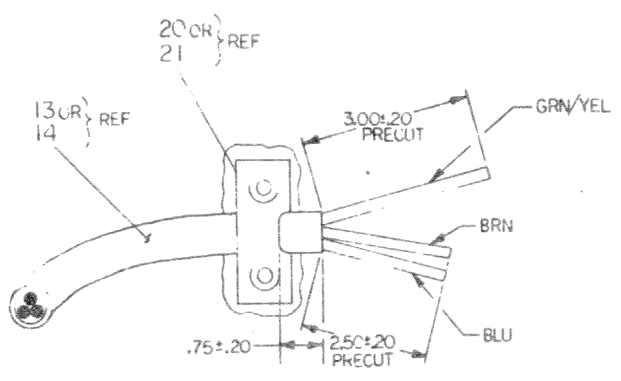
ITEM NO	DESCRIPTION	FROM	TO	REMARKS
1 OR 2 OR 3	12 BLU	REAR PANEL KI-A-1	FRONT PANEL CBI-P3-2	SEE DETAIL "E", VIEW "B-B", & NOTE 3, SHT 1.
	14 BRN	REAR PANEL KI-A-2	FRONT PANEL CBI-P2-2	
		REAR PANEL P8	FRONT PANEL CONT-BU-J8	
13	14 GRN/ YEL	FRONT PANEL LF-LINE-GND	39 P7-GND	FOR VARIATIONS 874-A & C ONLY. LENGTH - 15FT. SEE VIEW "D-D"
	14 BRN	FRONT PANEL LF-LINE-PH1	39 P7-BRASS	
14	14 BLU	FRONT PANEL LF-LINE-I1	39 P7-SILVER	FOR VARIATION 874-B ONLY. LENGTH - 15FT. SEE VIEW "D-D"
	14 GRN/ YEL	FRONT PANEL LF-LINE-GRI1	39 P7-GND	
13	14 BRN	FRONT PANEL LF-LINE-PH1	39 P7-BRASS 1	FOR VARIATION 874-D & E ONLY. LENGTH - 15FT. SEE VIEW "D-D"
	14 BLU	FRONT PANEL LF-LINE-N	39 P7-BRASS 2	

WIRE TABLE (VARIATIONS 874 D & E ONLY)

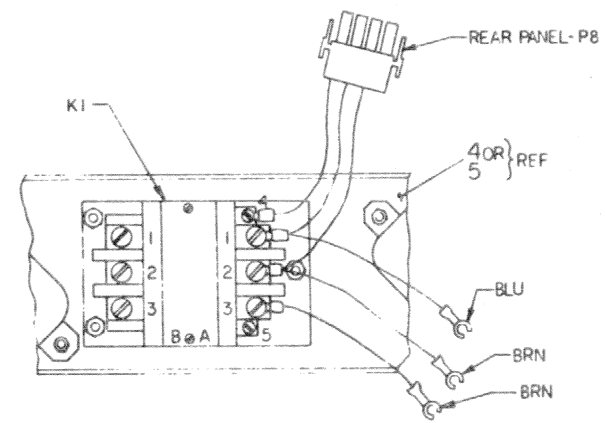
ITEM NO	DESCRIPTION	FROM	TO	REMARKS
4 OR 5	12 BLU	REAR PANEL KI-A-1	FRONT PANEL CBI-P3-2	SEE VIEW "B-B", DETAIL "E" & NOTE 3, SHT 1.
	14 BRN	REAR PANEL KI-A-2	FRONT PANEL CBI-P2-2	
	14 BRN	REAR PANEL KI-A-3	FRONT PANEL CBI-P1-2	
14	12 GRN/ YEL	FRONT PANEL LF-LINE-GND	38 P7-GND	FOR VARIATION 874-D ONLY. LENGTH - 15FT. SEE VIEW "D-D"
	12 BRN	FRONT PANEL LF-LINE-PH1	38 P7-BRASS	
14	12 BLU	FRONT PANEL LF-LINE-N	38 P7-SILVER	FOR VARIATION 874-E ONLY. LENGTH - 15FT. SEE VIEW "D-D"
	12 GRN/ YEL	FRONT PANEL LF-LINE-GND	38 P7-GND	
	12 BRN	FRONT PANEL LF-LINE-PH1	38 P7-Y	
	12 BLU	FRONT PANEL LF-LINE-N	38 P7-X	



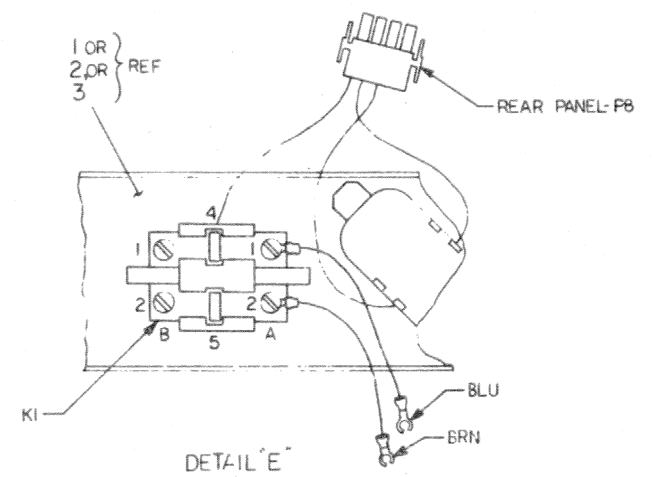
DETAIL "C"
SCALE: NONE
SEE SHEET 1



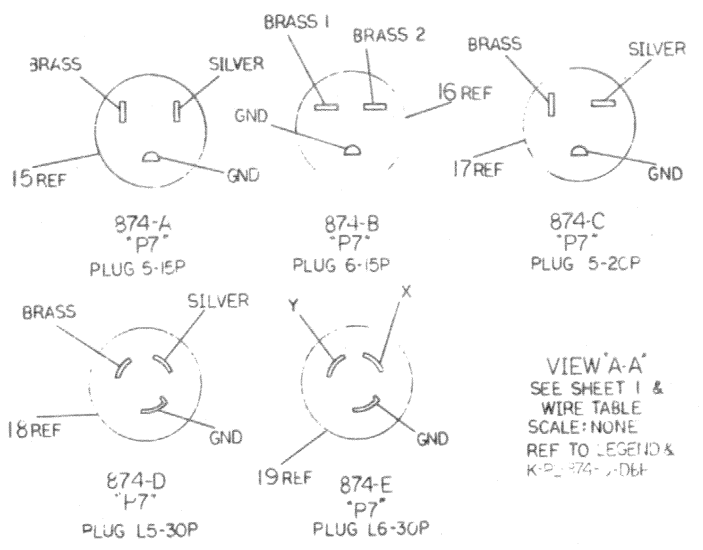
VIEW "D-D"
SCALE: NONE



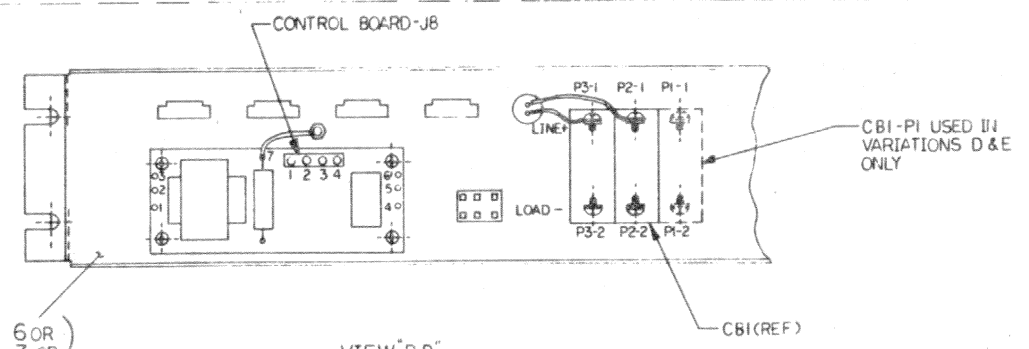
DETAIL "E"
FOR VARIATIONS
874-D & E ONLY
(SCALE: NONE)
SEE WIRE TABLES
SEE NOTE 3, SHEET 1



DETAIL "E"
FOR VARIATIONS
874-A, B & C ONLY.
(SCALE: NONE)
SEE WIRE TABLE
SEE NOTE 3, SHEET 1



VIEW "A-A"
SEE SHEET 1 &
WIRE TABLE
SCALE: NONE
REF TO LEGEND &
K-PL-874-D&E



VIEW "B-B"
SEE SHEET 1
SCALE: NONE
(FRONT PNL, REAR)
(TYP FOR VARIATIONS
874-A THRU 874-E)
SEE WIRE TABLES

LINE ITEM	DOCUMENT NUMBER	PART NUMBER	DESCRIPTION	QUANTITY PER VARIATION					
				A	B	C	D	E	
1	1	E-AD-7017506-0-0	7017506-00	REAR PANEL ASSY (874-A)	1	0	0	0	0
2	2	E-AD-7017506-0-0	7017506-01	REAR PANEL ASSY (874-B)	0	1	0	0	0
3	3	E-AD-7017506-0-0	7017506-02	REAR PANEL ASSY (874-C)	0	0	1	0	0
4	4	E-AD-7017506-0-0	7017506-03	REAR PANEL ASSY (874-D)	0	0	0	1	0
5	5	E-AD-7017506-0-0	7017506-04	REAR PANEL ASSY (874-E)	0	0	0	0	1
6	6	E-AD-7017507-0-0	7017507-00	FRONT PANEL ASSY (874-A)	1	0	0	0	0
7	7	E-AD-7017507-0-0	7017507-01	FRONT PANEL ASSY (874-B)	0	1	0	0	0
8	8	E-AD-7017507-0-0	7017507-02	FRONT PANEL ASSY (874-C)	0	0	1	0	0
9	9	E-AD-7017507-0-0	7017507-03	FRONT PANEL ASSY (874-D)	0	0	0	1	0
10	10	E-AD-7017507-0-0	7017507-04	FRONT PANEL ASSY (874-E)	0	0	0	0	1
11	11	C-IA-7424066-0-0	7424066-00	COVER, PWR CONTROLL (874)	2	2	2	2	2
12	12	C-MD-7422926-0-0	7422926-00	COVER POWER CORD	1	1	1	1	1
13	13	A-PS-1700027-0-0	1700027-01	PWR CORD,14-3,300V 13A	1	1	1	0	0
14	14	A-PS-1700025-0-0	1700025-00	PWR CORD,12-3,600V 18A	0	0	0	1	1
15	15	A-PS-9008938-0-0	9008938-00	CONN,POWER 3PIN PLUG NEMA 5-15P	1	0	0	0	0
16	16	A-PS-9008853-0-0	9008853-00	CONN,POWER 3PIN PLUG NEMA 6-15P	0	1	0	0	0
17	17	A-PS-1215183-0-0	1215183-00	CONN,POWER 3PIN PLUG NEMA 5-20P	0	0	1	0	0
18	18	A-PS-1211193-0-0	1211193-00	CONN,POWER 2PIN PLUG NEMA L5-30	0	0	0	1	0
19	19	A-PS-1216886-0-0	1216886-00	CONN,POWER 3PIN PLUG NEMA LG-30	0	0	0	0	1
20	20		1215566-00	CLAMP, CABLE	1	1	1	0	0
21	21		1215566-01	CLAMP, CABLE	0	0	0	1	1
22	22	A-PS-3617696-0-0	3617696-01	LABEL,DANGER HIGH VOLTAGE	1	1	1	1	1
23	23	A-PS-3613210-0-0	3613210-02	LABEL,ELECTRICAL DATA	1	1	1	1	1
24	24		9006690-00	WASHER, LOCK, S.S. #8	2	2	2	2	2
25	25	A-PS-3612063-0-0	3612063-00	LABEL, ,ADHESIVE I.D. FOR UL C	1	1	1	1	1
26	26	A-PS-3613211-0-0	3613211-01	DECAL,CLEAR PREPRINTED CSA 1-1/4	1	1	1	1	1
27	27		9000001-03	STANDOFF,HEX,M/F 8-32X	1	2	2	2	2
28	28		9010174-01	SCREW, SEMS, PHILLIPS PAN HD 8-3	6	6	6	6	6
29	29		9010174-02	SCREW, SEMS, PHILLIPS PAN HD 8-3	2	2	2	2	2
30	30		9010174-00	SCREW, SEMS, PHILLIPS PAN HD 6-3	4	4	4	4	4

REVISION HISTORY		BASIC PART NO: 00874		DRN:	T.ROCHA	DATE:	01-APR-80	D I G I T A L			
ENG!	ECD NUMBER	REV	SECTION A OF A	CHK'D:	A.J.ROCHA	DATE:	19-JUN-80	TITLE PARTS LIST			
	INITIAL	A	SECTION. VARIATION INDEX					874 POWER CONTROLLER			
			[A] A ,B ,C ,D ,E								
			[B]	DES.ENG.:	D.CARLSON	DATE:	19-JUN-80				
			[C]	RESP.ENG.:	D.CARLSON	DATE:	19-JUN-80	DOCUMENT NUMBER			
			[D]					SIZE	CODE	NUMBER	REV
			[E]	MFG.ENG.:	A.DAVIS	DATE:	19-JUN-80	K	PL	874-0-DBP	A
			[F]	ASSEMBLY NUMBER:	E-UA-874-0-0	TOP DOCUMENT NUMBER:	B-DD-874-0-0	FILE NAME:	Z0696.PLS	EDIT #:	15

*THIS DRAWING AND SPECIFICATIONS HEREIN, ARE THE PROPERTY OF DIGITAL EQUIPMENT CORPORATION AND SHALL NOT BE REPRODUCED OR COPIED OR USED IN WHOLE OR IN PART AS THE BASIS FOR THE MANUFACTURE OR SALE OF ITEMS WITHOUT WRITTEN PERMISSION. COPYRIGHT (C) 1980. DIGITAL EQUIPMENT CORPORATION *

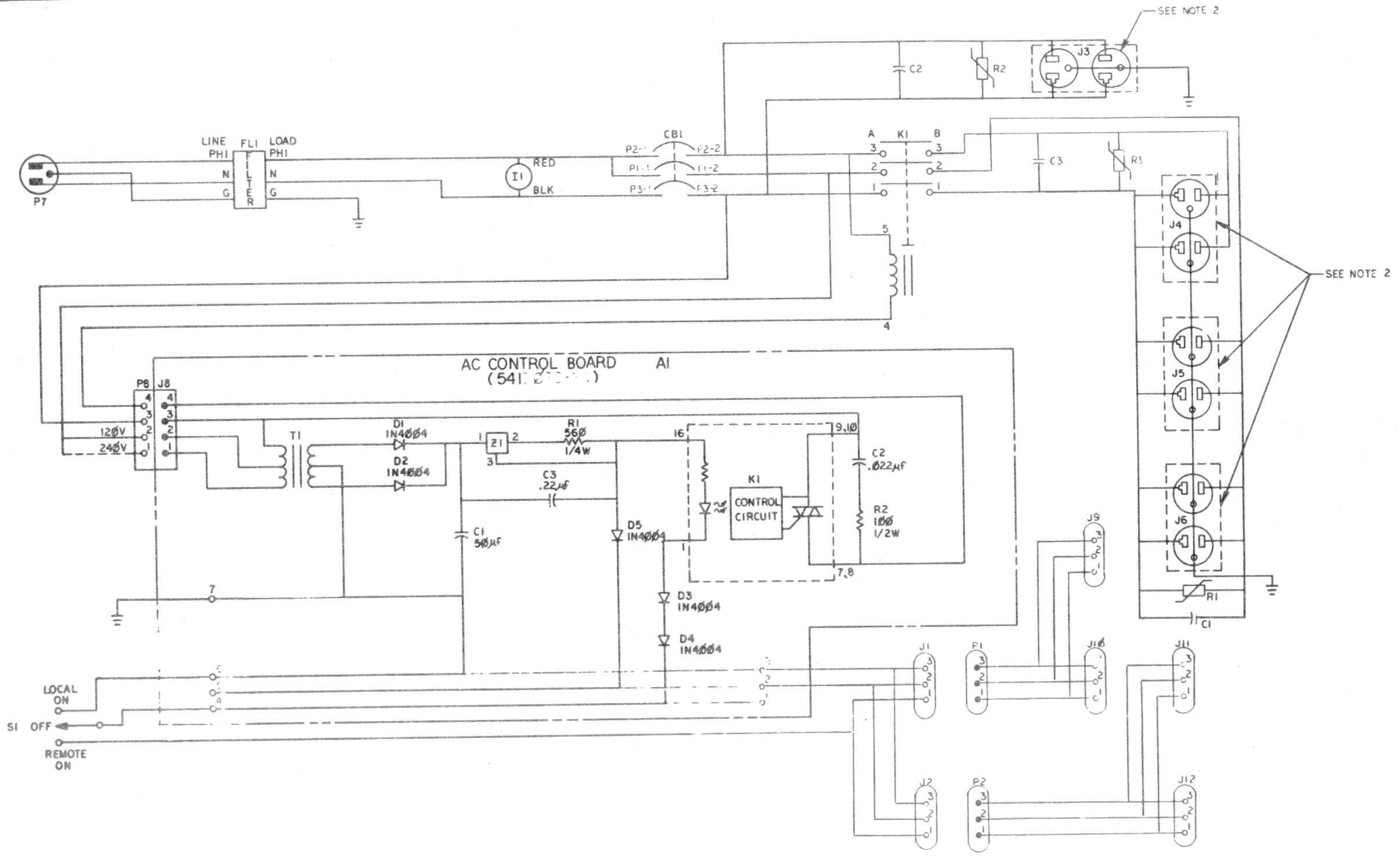
TW

LINE	ITEM	DOCUMENT NUMBER	PART NUMBER	DESCRIPTION	QUANTITY PER VARIATION				
					A	B	C	D	E
31	31	A-PS-3617724-0-0	3617724-01	LABEL,PWR,CNTRL 874A	1	0	0	0	0
32	32	A-PS-3617724-0-0	3617724-02	LABEL,PWR,CNTRL 874B	0	1	0	0	0
33	33	A-PS-3617724-0-0	3617724-03	LABEL,PWR CNTRL 874C	0	0	1	0	0
34	34	A-PS-3617724-0-0	3617724-04	LABEL,PWR CNTRL 874D	0	0	0	1	0
35	35	A-PS-3617724-0-0	3617724-05	LABEL,PWR CNTRL 874E	0	0	0	0	1
36	36	A-PS-3616798-0-0	3616798-01	LABEL,220-240V OUTLET	0	0	0	0	1
37	37	A-PS-3616798-0-0	3616798-02	LABEL,220-240V OUTLET	0	1	0	0	0
38	38		9007726-01	TERM RING 1POS INSULATED,12-10	0	0	0	3	3
39	39		9007928-00	TERM RING 1POS INSULATED,16-14	3	3	3	0	0
40	40		9007031-00	TIE,CABLE BUNDL,DIA 0- 3/4"=101	4	4	4	4	4
41	41		9009700-00	SCREW, SEMS, PHILLIPS TRUSS HD 1	4	4	4	4	4
42	42		9006664-00	WASHER, FLAT, .437 OD X .218 ID	4	4	4	4	4
43	43		9007786-00	RETAINER, U-NUT, 10-32	4	4	4	4	4
44	44	D-CS-874-0-1		874 CIRCUIT SCHEMATIC	REF	REF	REF	REF	REF
45	45		9906077-03	BAG, COTTON, PARTS	1	1	1	1	1

D	I	G	I	T	A	L	TITLE	SECTION A OF A	SIZE	CODE	DOCUMENT NUMBER	REV
							874 POWER CONTROLLER		K	PL	874-0-DBP	A

THIS DRAWING AND SPECIFICATIONS HEREIN ARE THE PROPERTY OF DIGITAL EQUIPMENT CORPORATION AND SHALL NOT BE REPRODUCED OR COPIED OR USED IN WHOLE OR IN PART AS THE BASIS FOR THE MANUFACTURE OR SALE OF ITEMS WITHOUT WRITTEN PERMISSION. COPYRIGHT © 1960 DIGITAL EQUIPMENT CORPORATION

REV. A
 NUMBER DCS 874-0-1
 SIZE CODE 2



FOR VARIATIONS 874-D & E ONLY

REVISIONS		
CHK	CHANGE NO.	REV.

TITLE	POWER CONTROL (874)	SIZE CODE	D CS	NUMBER	874-0-1	REV	A
SCALE	NONE	SHEET	2 OF 2	DIST.			

1 TW 10

LINE	ITEM	DOCUMENT NUMBER	PART NUMBER	DESCRIPTION	QUANTITY PER VARIATION				
					00	01	02	03	04
1	1	E-IA-7424070-0-0	7424070-00	PANEL, REAR (874)	1	1	1	1	1
2	2	A-PS-1214283-0-0	1214283-00	CONTACTOR, 20A, 2P, 120V C	1	1	1	1	1
3	3	A-PS-1214283-0-0	1214283-01	CONTACTOR, 20A, 2P, 240V C	-	1	-	-	-
4	4	A-PS-1211147-0-0	1211147-00	CONTACTOR, 30A, 3P DBL BRK, 600V, 1	-	-	-	1	-
5	5	A-PS-1211147-0-0	1211147-01	CONTACTOR, 30A, 3P DBL BRK, 600V, 2	-	-	-	-	1
6	6	A-PS-1214899-0-0	1214899-00	CONN, POWER 3PIN RCPT NEMA 5-15R	4	-	-	-	-
7	7	A-PS-1214899-0-0	1212265-00	CONN, POWER 3PIN RCPT NEMA 5-20R	-	-	4	4	-
8	8	A-PS-1211204-0-0	1211204-01	CONN, POWER 3PIN RCPT NEMA 6-15R	-	4	-	-	-
9	9	A-PS-1216885-0-0	1216885-00	CONN, POWER 3PIN RCPT NEMA 6-20R	-	-	-	-	4
10	10	A-PS-1216885-0-0	1014430-01	.1 MFD 270V 20% M. POLYPROP	2	2	2	2	2
11	11		1311996-00	VARISTOR 150VAC VOLT TRANS SUP	-	-	-	-	3
12	12		1311996-02	VARISTOR 275VAC VOLT TRANS SUP	-	2	-	-	3
13	13		1212167-01	MATE-N-LOK 4POS UNIV HSG, SKT	1	1	1	1	1
14	14		1212170-00	MATE-N-LOK SKT UNIV 20-14AWG REE	3	3	3	3	3
15	15		9009228-10	SCREW, PAN, PHIL, SEMS 10-32X 3/8	1	1	1	1	1
16	16		9006560-00	NUT, KEP 6-32 X5/16AF	8	8	8	8	8
17	17		9006565-00	NUT, KEP 10-32X 3/8 AF	-	-	-	3	3
18	18		9009643-02	SCREW, PAN, PHIL, SEMS 4-40X .250	4	4	4	-	-
19	19		9107267-11	TUBING THIN WALL .034ID UL	A/R	A/R	A/R	A/R	A/R
20	20		9107380-66	WIRE, STRND, 12AWG, IPVC UL3317	A/R	A/R	A/R	A/R	A/R
21	21		9107787-66	WIRE, STRND, 14AWG UL3317 B	A/R	A/R	A/R	A/R	A/R
22	22		9107787-11	WIRE, STRND, 14AWG UL3317 BB	A/R	A/R	A/R	A/R	A/R
23	23		9107786-11	WIRE, STRND, 18AWG UL1430 B	A/R	A/R	A/R	A/R	A/R
24	24		9107786-66	WIRE, STRND, 18AWG UL1430 B	A/R	A/R	A/R	A/R	A/R
25	25		9107786-44	WIRE, STRND, 18AWG UL1430 Y	0	0	0	A/R	A/R
26	26		9009695-07	TERM, SPADE INSUL. 1POS 12-10AWG Y	4	4	4	3	3
27	27		9009695-08	TERM, SPADE INSUL. 1POS 16-14AWG B	2	2	2	5	5
28	28		9009695-00	TERM, SPADE INSUL. 1POS 16-14AWG B	10	10	10	11	11
29	29		9009695-05	TERM, SPADE INSUL. 1POS 22-16AWG R	6	6	6	6	6
30	30		9009695-02	TERM, SPADE INSUL. 1POS 12-10AWG Y	3	3	3	3	3

REVISION HISTORY		BASIC PART NO: 7017506		DRN: ANGEL COLON	DATE: 04-APR-80	D I G I T A L	
ENG: ECO NUMBER	REV	SECTION A OF A	SECTION. VARIATION INDEX	CHK'D: ANGEL COLON	DATE: 04-APR-80	TITLE PARTS LIST	
DC 7017506-TW001	B	(A) 00,01,02,03,04				REAR PANEL ASSY (874)	
		(B)		DES. ENG.: PHIL BARTH	DATE: 04-APR-80		
		(C)		RESP. ENG.: DAVE CARLSON	DATE: 04-APR-80	DOCUMENT NUMBER	
		(D)				SIZE	CODE
		(E)		MFG. ENG.: G ARMBRUSTER	DATE: 04-APR-80	K	PL
		(F)		ASSEMBLY NUMBER: E-AD-7017506-0-0	TOP DOCUMENT NUMBER: E-UA-874-0-0BP		7017506-0-DBP
							FILE NAME: 21252.PLS
							REV B
							EDIT # 15

"THIS DRAWING AND SPECIFICATIONS HEREIN, ARE THE PROPERTY OF DIGITAL EQUIPMENT CORPORATION AND SHALL NOT BE REPRODUCED OR COPIED OR USED IN WHOLE OR IN PART AS THE BASIS FOR THE MANUFACTURE OR SALE OF ITEMS WITHOUT WRITTEN PERMISSION. COPYRIGHT (C) 1981. DIGITAL EQUIPMENT CORPORATION"

AUTOMATED BY PRTLST.3L(37)

PARTS LIST

SHEET A2 OF A2

LINE ITEM DOCUMENT NUMBER

PART NUMBER

DESCRIPTION

QUANTITY PER VARIATION
00 01 02 03 04

31 31

9007970-00

TERM QUICK 1POS INSULATED 22-18

- - - 5 5

D	I	G	I	T	A	L	TITLE	REAR PANEL ASSY (874)	SECTION A OF A	SIZE	CODE	DOCUMENT NUMBER	REV
										K	PL	7017506-0-DBP	8

LINE	ITEM	DOCUMENT NUMBER	PART NUMBER	DESCRIPTION	QUANTITY PER VARIATION				
					00	01	02	03	04
1	1	E-IA-7424069-0-0	7424069-00	PANEL, FRONT (874)	1	1	1	1	1
2	2	A-PS-1212124-0-0	1212124-04	CKT BKR 15.0 A 240V 2P SERIES TR	1	1	0	0	0
3	3	A-PS-1212124-0-0	1212124-05	CKT BKR 20.0 A 240V 2P SERIES TR	0	0	1	0	0
4	4	A-PS-1211196-0-0	1211196-02	CKT BKR 20,20,30A 277V 3P SERIES	0	0	0	1	1
5	5	A-PS-1213070-0-0	1213070-00	FILTER,LINE 110-220V,50-60HZ 112	1	1	1	1	1
6	6	A-PS-1205303-0-0	1205303-00	LAMP, PILOT IND DEVICES #1020A	1	0	1	1	0
7	7	A-PS-1202556-0-0	1202556-00	LAMP, PILOT IND DEVICES #1020B	0	1	0	0	1
8	8	D-AD-5414605-0-0	5414605-00	AC CONTROL BOARD	1	1	1	1	1
9	9	D-IA-7017698-0-0	7017698-00	CANCEL	1	1	1	1	1
10	10	C-IA-7422924-0-0	7422924-00	COVER PLATE	1	1	1	0	0
11	11		1215566-00	CLAMP, CABLE	1	1	1	0	0
12	12		1215566-01	CLAMP, CABLE	0	0	0	1	1
13	13		9010174-01	SCREW, SEMS, PHILLIPS PAN HD 8-3	2	2	2	2	2
14	14		9010174-00	SCREW, SEMS, PHILLIPS PAN HD 6-3	12	12	12	12	12
15	15		9010074-00	SCREW, TAPPING, TYPE F, HEX, WASH,	2	2	2	2	2
16	16		9006565-00	NUT, KEP, 10-32X 3/8 AF	2	2	2	2	2
17	17		9009695-07	TERM, SPADE INSUL. 1POS 12-10AWG Y	1	1	1	1	1
18	18		9009695-02	TERM, SPADE INSUL. 1POS 12-10AWG Y	1	1	1	1	1
19	19		9009695-00	TERM, SPADE INSUL. 1POS 16-14AWG B	1	1	1	2	2
20	20		9009695-08	TERM, SPADE INSUL. 1POS 16-14AWG B	1	1	1	1	1
21	21		9007926-01	TERM RING 1POS INSULATED, 12-10	2	2	2	2	2
22	22		9107778-54	WIRE, STRND, 12AWG, IPVC UL3317	A/R	A/R	A/R	A/R	A/R
23	23		9107380-66	WIRE, STRND, 12AWG, IPVC UL3317	A/R	A/R	A/R	A/R	A/R
24	24		9107787-11	WIRE, STRND, 14AWG UL3317 B	A/R	A/R	A/R	A/R	A/R
25	25	A-PS-3612680-0-0	3612680-00	DECAL, GROUND SIGN PER 3E6 *	1	1	1	1	1
26	26		9006636-00	WASHER, LOCK, INT, .3800D X .200ID	2	2	2	2	2
27	27		9009695-05	TERM, SPADE INSUL. 1POS 22-16AWG R	2	2	2	2	2
28	28		1217944-00	GROMMET 1.87ID X 2.31ID X .06WID	1	1	1	1	1

REVISION HISTORY		BASIC PART NO: 7017507		DRN: PEDRO ORTIZ	DATE: 29-APR-80	D I G I T A L			
ENG:	ECO NUMBER	REV	SECTION A OF A	CHK'D: ANGEL COLON	DATE: 29-APR-80	TITLE PARTS LIST			
	INITIAL	A	SECTION, VARIATION INDEX [A] 00,01,02,03,04	DES.ENG.: PHIL BARTH	DATE: 29-APR-80	FRONT PANEL ASSY (874)			
			[B]	RESP.ENG.: D CARLSON	DATE: 29-APR-80	DOCUMENT NUMBER			
			[C]	MFG.ENG.: G ARMBRUSTER	DATE: 29-APR-80	SIZE: K	CODE: PL	NUMBER: 7017507-0-DBP	REV: A
			[D]	ASSEMBLY NUMBER: E-AD-7017507-0-0	TOP DOCUMENT NUMBER: E-UA-874-0-0	FILE NAME: Z1253.PLS		EDIT #: 6	
			[E]						
			[F]						

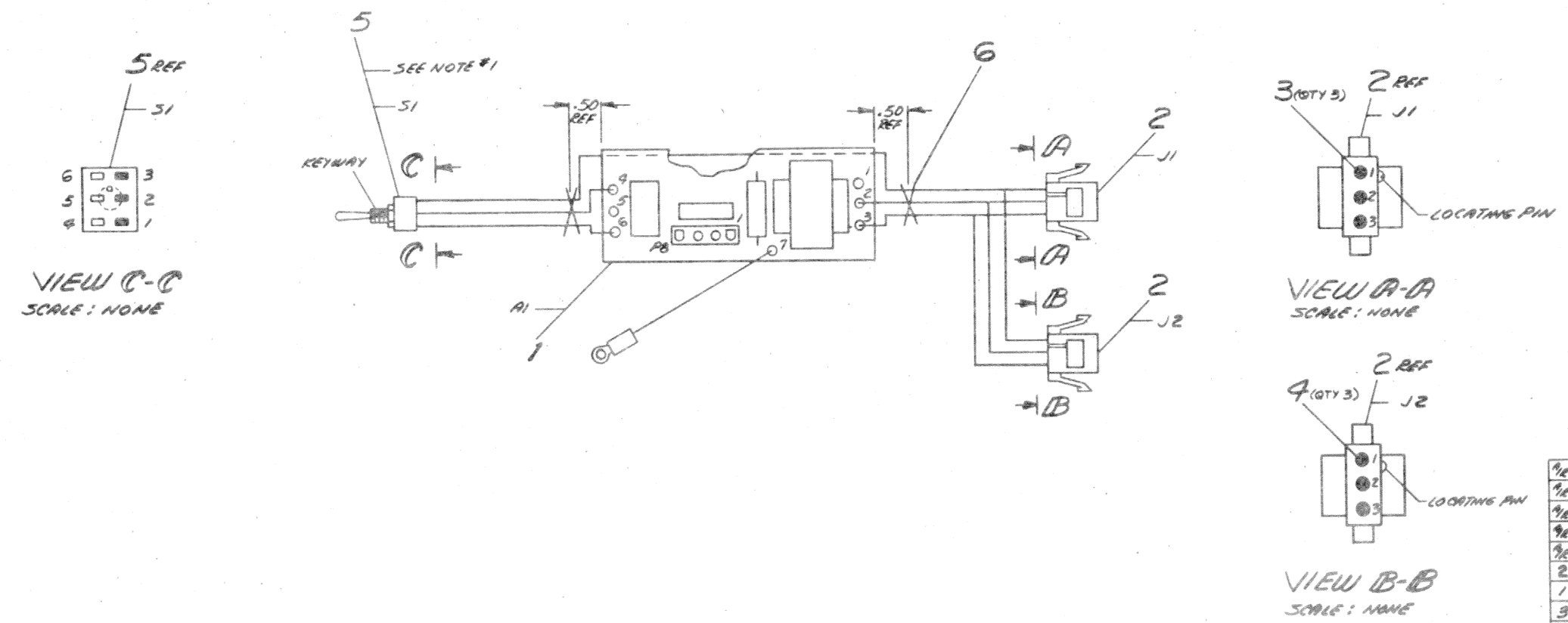
*THIS DRAWING AND SPECIFICATIONS HEREIN, ARE THE PROPERTY OF DIGITAL EQUIPMENT CORPORATION AND SHALL NOT BE REPRODUCED OR COPIED OR USED IN WHOLE OR IN PART AS THE BASIS FOR THE MANUFACTURE OR SALE OF ITEMS WITHOUT WRITTEN PERMISSION.
COPYRIGHT (C) 1980, DIGITAL EQUIPMENT CORPORATION

TW

THIS DRAWING AND SPECIFICATIONS, HEREIN, ARE THE PROPERTY OF DIGITAL EQUIPMENT CORPORATION AND SHALL NOT BE REPRODUCED OR COPIED IN WHOLE OR IN PART AS THE BASIS FOR THE MANUFACTURE OR SALE OF ITEMS WITHOUT WRITTEN PERMISSION. COPYRIGHT © 1978 DIGITAL EQUIPMENT CORPORATION

ITEM NO.	DESCRIPTION	FROM		TO		PRECUT LENGTH	
		AWG	COLOR	CONNECTION	WITH		CONNECTION
11	22	ORN	A1-4	50L	S1-2	30L	3 IN
10		VIO	A1-6	50L	S1-1	50L	3 IN
8		BLK	A1-2	50L	J1-2	#3	3 IN
8		BLK	J2-2	#9			3 IN
7		GRN	A1-3	50L	J1-3	#3	3 IN
7		GRN	J2-3	#4			3 IN
9		RED	S1-3	50L	J1-1	#3	2.75 IN
9	22	RED	J2-1	#9			3 IN

NOTES:
1. HARDWARE FOR MOUNTING SWITCH IS SUPPLIED WITH ITEM #5 (SWITCH, TOGGLE DPDT).



VIEW C-C
SCALE: NONE

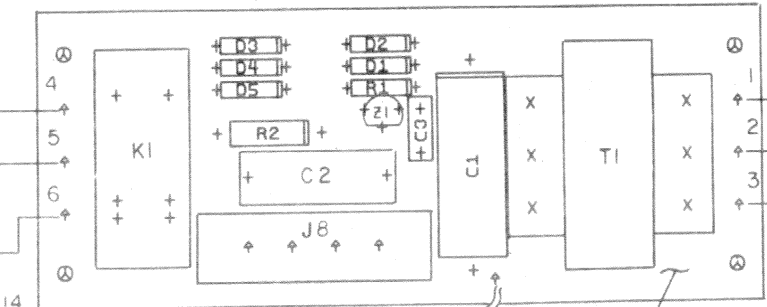
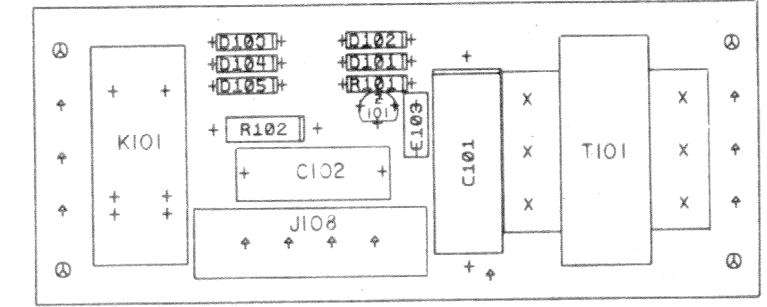
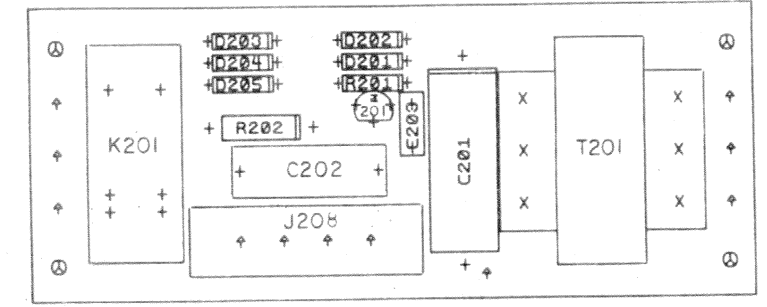
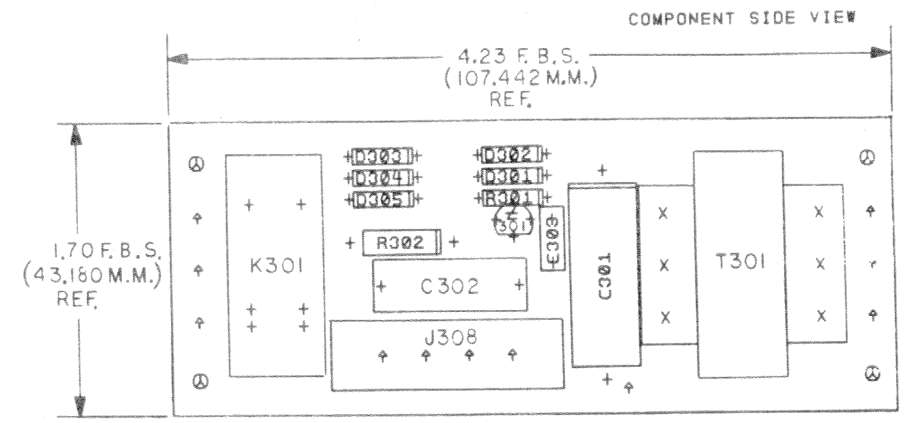
VIEW A-A
SCALE: NONE

VIEW B-B
SCALE: NONE

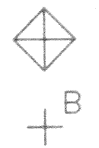
QTY	DESCRIPTION	DWG. PART NO.	ITEM NO.
11	WIRE, 22 AWG (ORN)	9107350-33	11
10	WIRE, 22 AWG (VIO)	9107350-77	10
9	WIRE, 22 AWG (RED)	9107350-22	9
8	WIRE, 22 AWG (BLK)	9107350-00	8
7	WIRE, 22 AWG (GRN)	9107350-55	7
6	TIE, CABLE	9007031-00	6
5	SWITCH, TOGGLE DPDT	A-PS-1210976-00	5
4	SOCKET, REMOVABLE CONTACT	A-PS-R09379-03	4
3	SOCKET, REMOVABLE CONTACT	A-PS-R09379-00	3
2	CONN. MOUNTING FRAME (3 PIN)	A-PS-R09350-03	2
1	AC CONTROL BOARD	D-04-5413087-11	1

THIRD ANGLE PROJECTION	24-04-76	FIRST USED ON	871
REMOVE BURRS AND BREAK SHARP CORNERS	CHK'D [Signature]	TITLE	CONTROL BOARD ASSY
DO NOT SCALE DWG	PROJ. ENG. [Signature]	SCALE	AS SHOWN
MATERIAL SEE PARTS LIST	PROD. [Signature]	SIZE	D
FINISH		CODE	AD
		NUMBER	7015605-0-0
		REV.	
		SHEET	1 OF 1
		DIST.	

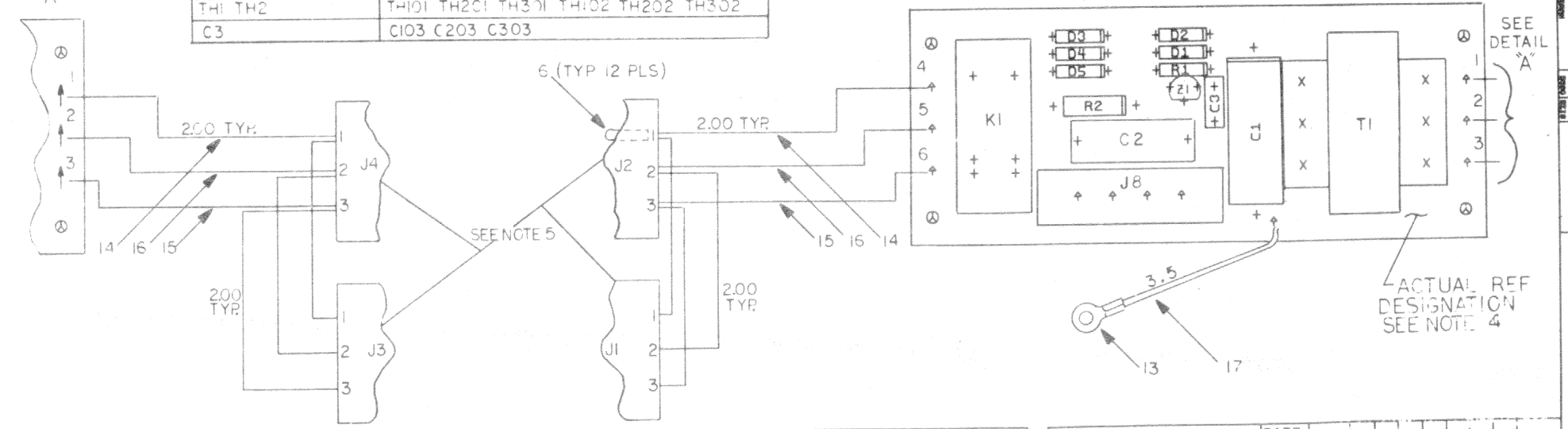
THIS DRAWING AND SPECIFICATIONS, HEREIN, AND THE PROPERTY OF DIGITAL EQUIPMENT CORPORATION AND SHALL NOT BE REPRODUCED OR COPIED IN WHOLE OR IN PART OR THE BASIS FOR THE MANUFACTURE OR SALE OF ITEMS WITHOUT WRITTEN PERMISSION.
 COPYRIGHT © 1978 DIGITAL EQUIPMENT CORPORATION



REFERENCE	DESIGNATION	CHART
ACTUAL REF DES	SUPERFICIAL REF DES	
C1 C2	C101 C201 C301 C102 C202 C302	
D1 D2	D101 D201 D301 D102 D202 D302	
D3 D4	D103 D203 D303 D104 D204 D304	
D5	D105 D205 D305	
J1	J108 J208 J308	
K1	K101 K201 K301	
R1 R2	R101 R201 R301 R102 R202 R302	
T1	T101 T201 T301	
Z1	Z101 Z201 Z301	
TH1 TH2	TH101 TH201 TH301 TH102 TH202 TH302	
C3	C103 C203 C303	



DETAIL "A"



- NOTES: 1. THIS BOARD REQUIRES U/L APPROVAL.
 2. DO NOT SLIT BOARD MUST BE SHEARED.
 3. REFER TO PARTS LIST FOR IDENTIFICATION OF NUMBERED ITEMS.
 4. MULTI-REF DESIGNATIONS ARE USED TO ACCOMMODATE PNL INS TECHNIQUES—SEE CHART FOR REF.
 5. J1 J2 J3 J4 ARE NOT USED ON YA VARIATION.

CHANGE NO	REV	DATE	BY	CHK'D
4	E		W. BAUSHA	
			U. B...	

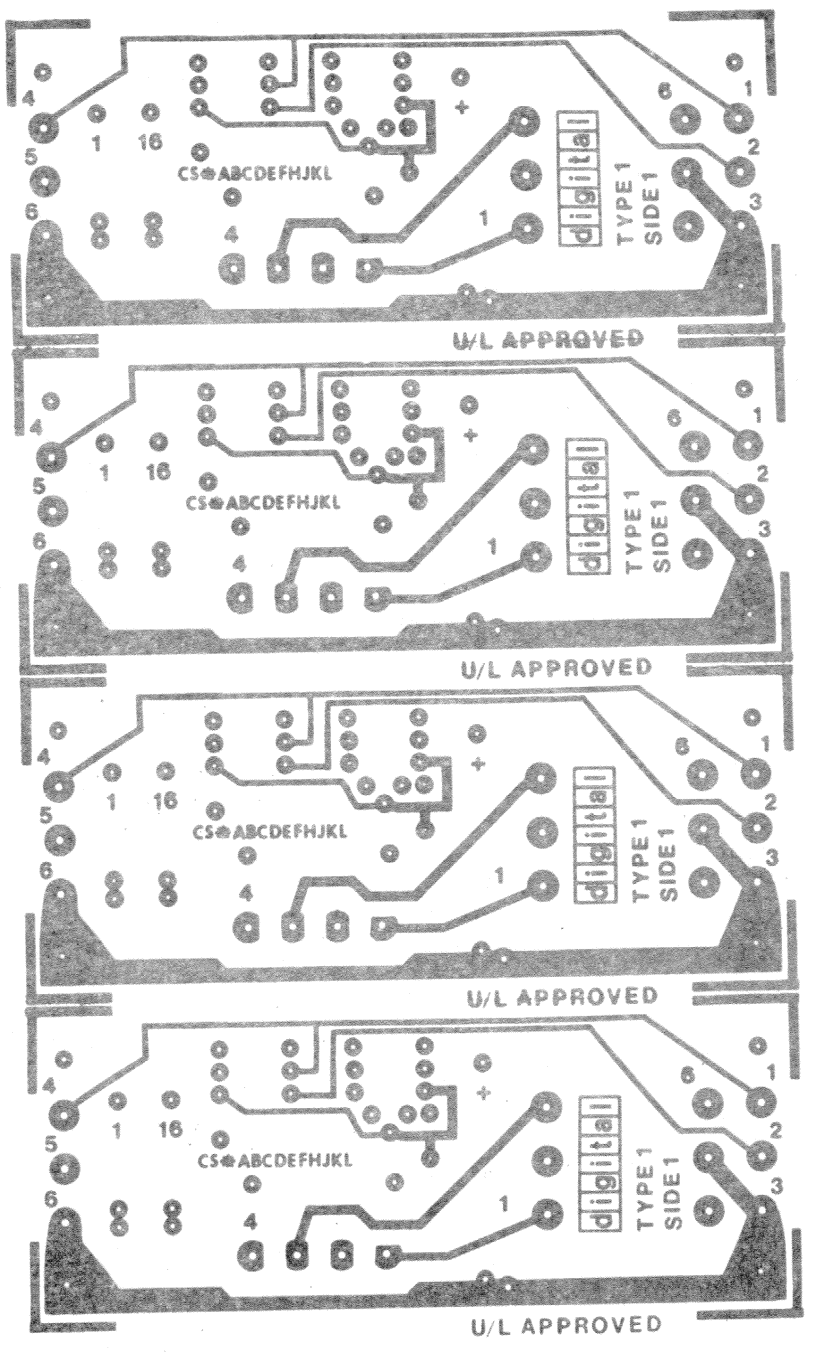
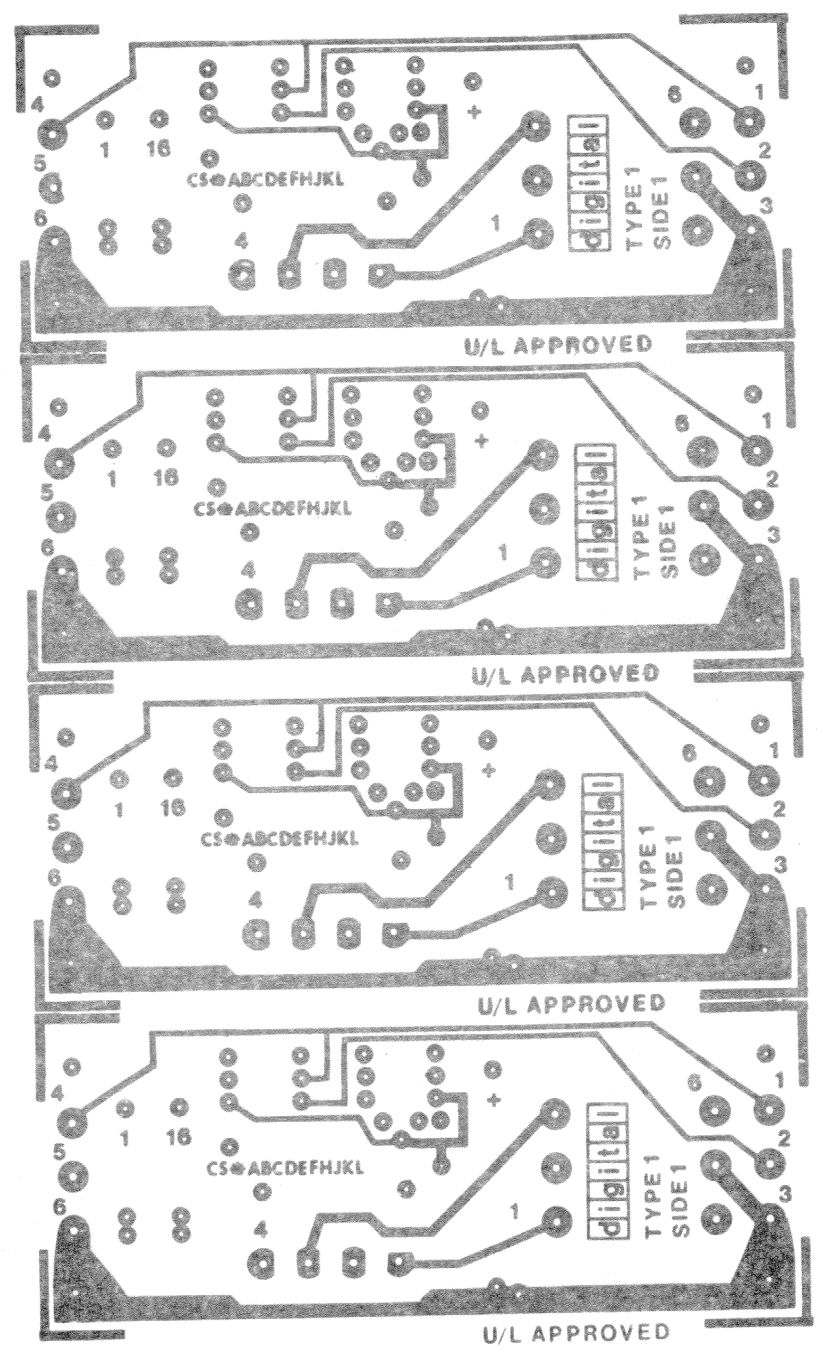
ETCH REV. C-PI
 P.C. DESIGN DATA BASE REV. C

SIGNATURES		DATE	DIGITAL
DRN. STU EVANS		7-27-78	
CHK'D. <i>W. Bausha</i>		1-4-79	A.C. CONTROL BOARD
ENG. <i>W. Bausha</i>		1/9/79	
PROJ. ENG. <i>W. Bausha</i>		1/9/79	
PROD. <i>W. Bausha</i>		1/9/79	
SCALE 2/1	SIZE CODE	NUMBER	REV
SHT. 1 OF 3	DUA	5413089-0-0	E
NEXT HIGHER ASSY. B-DD-5413089-0-0			1-MS#

17

THIS DRAWING AND SPECIFICATIONS HEREIN ARE THE PROPERTY OF DIGITAL EQUIPMENT CORPORATION AND SHALL NOT BE REPRODUCED OR COPIED OR USED IN WHOLE OR IN PART AS THE BASIS FOR ANY MANUFACTURE OF ITEMS WITHOUT WRITTEN PERMISSION OF DIGITAL EQUIPMENT CORPORATION
1979

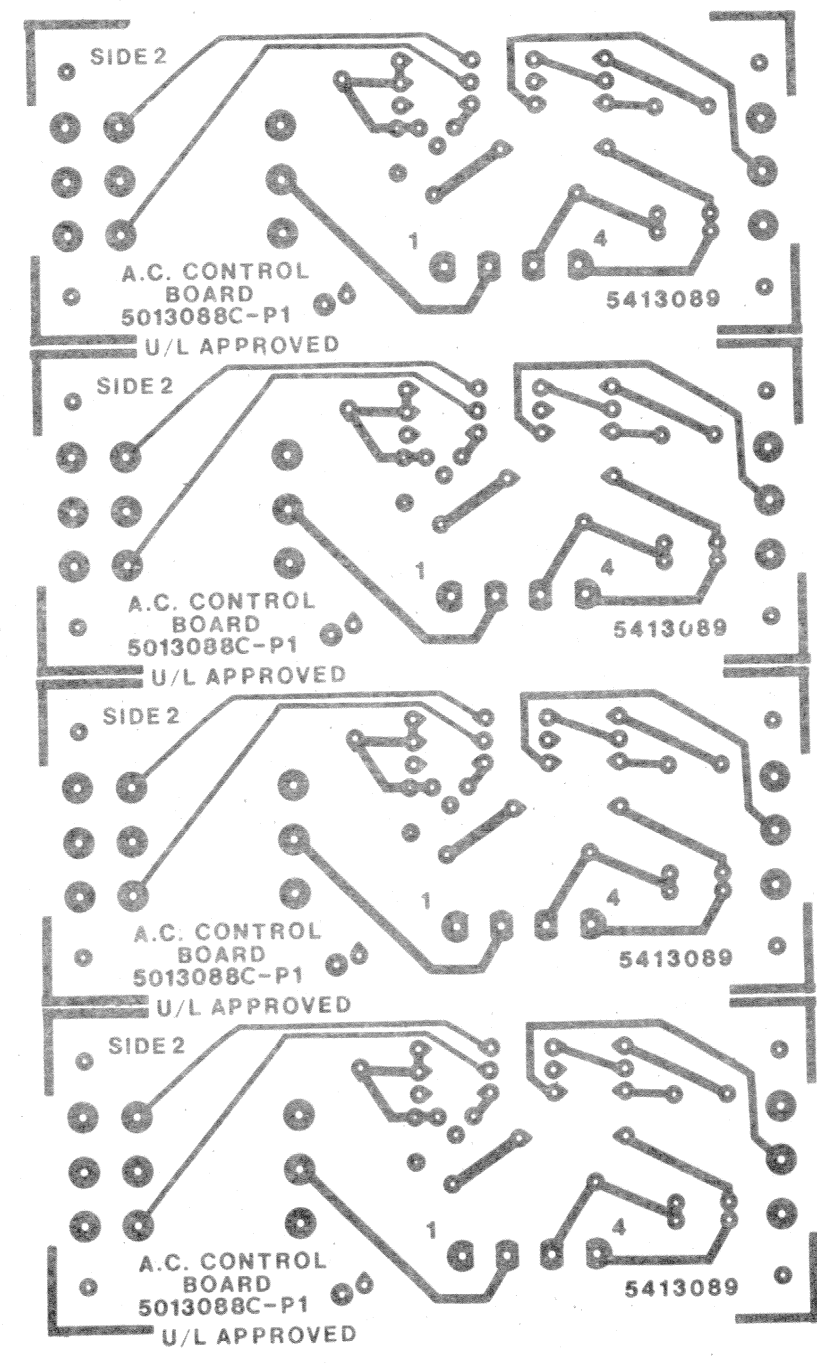
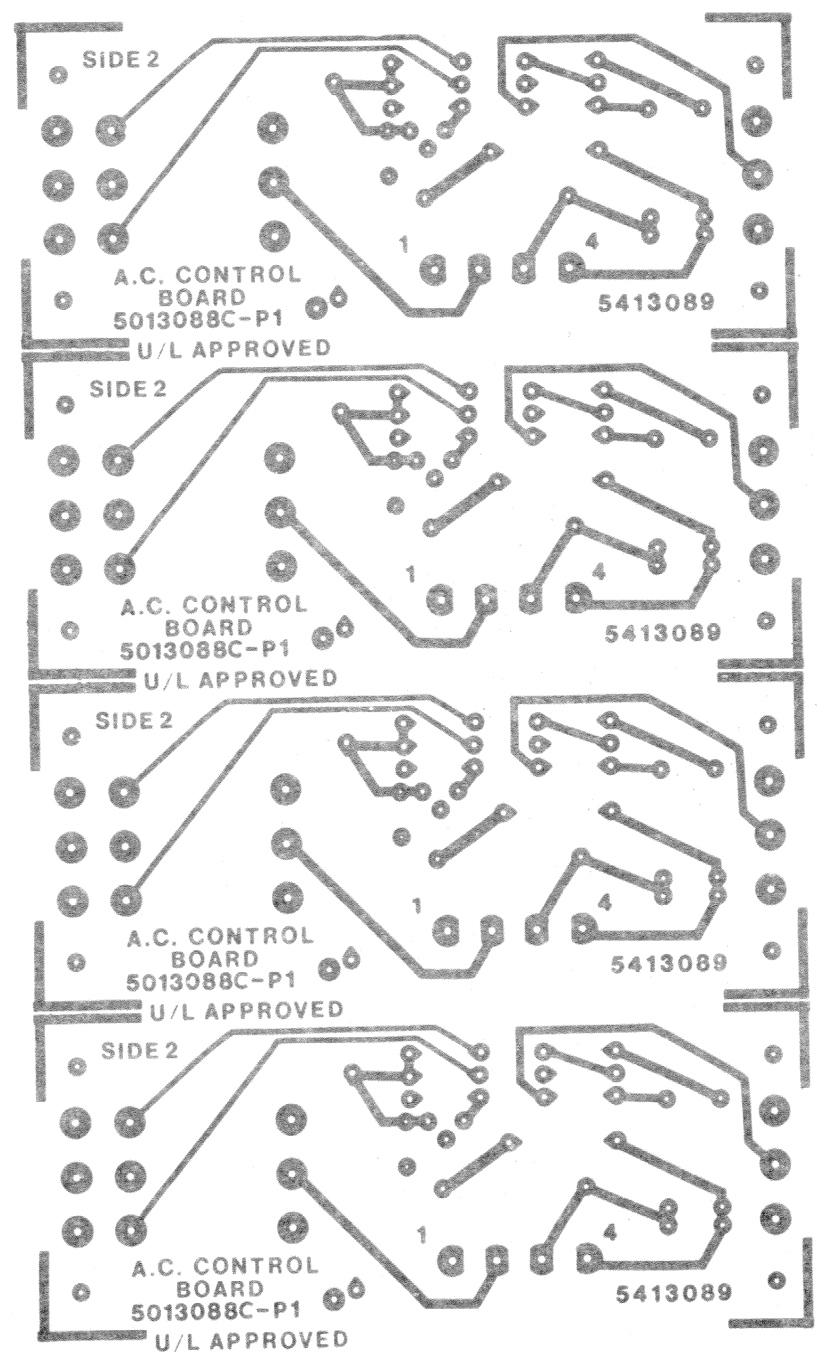
L1 5413089 5013088C-P1



REVISIONS		
CHK	CHANGE NO	REV

TITLE	SIZE CODE	NUMBER	REV
AC. CONTROL BOARD	DJA	5413089-0-0	E
SCALE 2:1	SHEET 2 OF 3	DIST.	1

THIS DRAWING AND SPECIFICATIONS HEREIN ARE THE PROPERTY OF DIGITAL EQUIPMENT CORPORATION AND SHALL NOT BE REPRODUCED OR COPIED OR USED IN WHOLE OR IN PART AS THE BASIS FOR THE MANUFACTURE OR SALE OF ITEMS WITHOUT WRITTEN PERMISSION. DIGITAL EQUIPMENT CORPORATION. COPYRIGHT © 1979



REVISIONS		
CHK	CHANGE NO	REV

TITLE	A.C. CONTROL BOARD	SIZE CODE	D UA	NUMBER	5413089-0-0	REV.	E
SCALE	2:1	SHEET	3	OF	3	DIST.	

DUA 5413089-0-0 E

AUTOMATED BY PRTLST.1D(11)

PARTS LIST

SHEET A1 OF A1

LINE	ITEM	DOCUMENT NUMBER	PART NUMBER	DESCRIPTION	QTY PER VARIATION		REFERENCE DESIGNATOR
					00	YA	
1	1	D-MD-5013088-0-0	5013088-00	DRILL AND ETCH BRD	1	1	
2	2		1000080-00	50 MFD 50V +75-10% AL EL	1	1	C1
3	3		1014430-00	.022 MFD 270V 10% M.POLYPROP	1	1	C2
4	4		1105796-00	1N 4004 PIV=400 I= 1A D041 SP	5	5	D1-D5
5	5		1209350-03	MATE-N-LOK 3POS COMM HSG SKT	4	0	J1-J4
6	6		1209379-00	MATE-N-LOK SKT COMM 20-14AWG STR	12	0	
7	7		1212297-01	MATE-N-LOK 4PIN UNIV HEADER	1	1	J8
8	8		1214380-00	RLY,G.P., SPST, 0.5A	1	1	K1
9	9		1300228-00	100.0 .50 W 5.0 % CC	1	1	R2
10	10		1301890-00	560.0 .25 W 5.0 % CC	1	1	R1
11	11		1612342-00	XFMR P=AB S=48CT	1	1	T1
12	12		1914471-00	78L08 VOLT REG, FIX +8V	1	1	Z1
13	13		9007930-00	TERM RING 1POS INSULATED, 22-16	1	1	
14	14		9107360-66	WIRE, STRND, 18AWG, IPVC UL1429	A/R	0	
15	15		9107360-77	WIRE, STRND, 18AWG, IPVC UL1429	A/R	0	
16	16		9107360-88	WIRE, STRND, 18AWG, IPVC UL1429	A/R	0	
17	17		9107410-54	WIRE, STRND, 18AWG, IPVC UL1429	A/R	A/R	
18	18		1010274-00	.22 MFD 50V +80-20% Z5U CER	1	1	C3

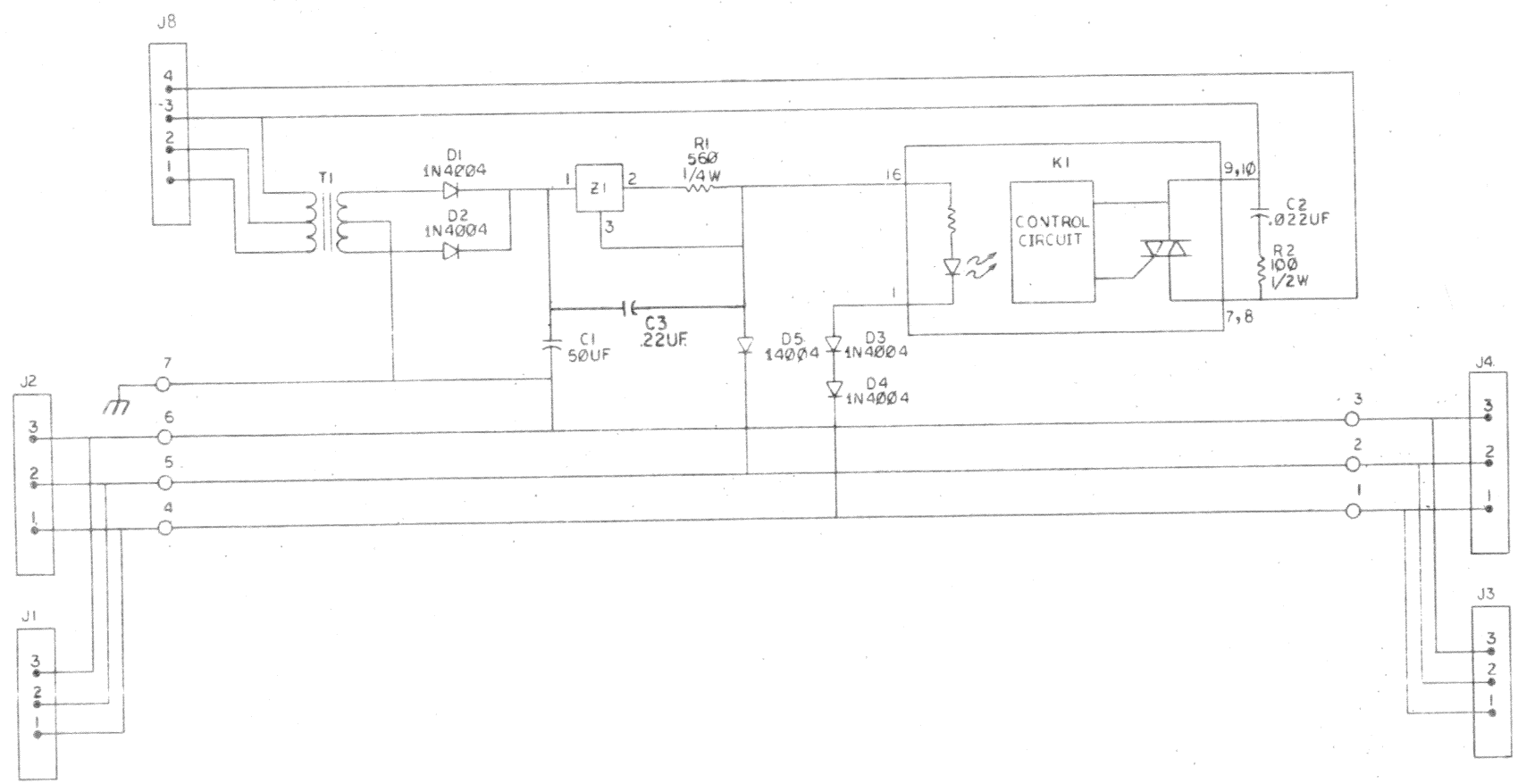
19 NOTE: REFER TO DWG. D-UA-5413089-0-0, REV.A FOR ADDITIONAL INSERTION CRITERIA.

REVISION HISTORY		BASIC PART NO: 5413089		DRN: A.COLON	DATE: 14-MAR-78	D I G I T A L	
ENG:	ECO NUMBER	REV	SECTION A OF A	TITLE PARTS LIST			
KIT:	00002	C	SECTION VARIATION INDEX	CHK'D: R.GLEEZEN	DATE: 14-MAR-78	A.C. CONTROL BOARD	
R.R:	00003	D	[A] 00, YA	DES.ENG: L.DOIRON		DOCUMENT NUMBER	
C.L:	5413089-ML004	E	[B]	DATE: 14-MAR-78		SIZE CODE NUMBER REV	
			[C]	RESP.ENG.: R.KENNEDY		K PL 5413089-0-DBP E	
			[D]	DATE: 14-MAR-78		FILE NAME: EDIT #	
			[E]	MFG.ENG.: B.MANSON		20195E.PLS 12	
			[F]	ASSEMBLY NUMBER:			
			[G]	D-UA-5413089-0-0			
			[H]	TOP DOCUMENT NUMBER:			
			[I]				
			[J]				
			[K]				
			[L]				
			[M]				
			[N]				

"THIS DRAWING AND SPECIFICATIONS HEREIN, ARE THE PROPERTY OF DIGITAL EQUIPMENT CORPORATION AND SHALL NOT BE REPRODUCED OR COPIED OR USED IN WHOLE OR IN PART AS THE BASIS FOR THE MANUFACTURE OR SALE OF ITEMS WITHOUT WRITTEN PERMISSION. COPYRIGHT (C) 1981. DIGITAL EQUIPMENT CORPORATION"

NOTES:
 1. CONNECTORS J4, J3, J2, J1 ARE NOT USED ON YA VARIATION.

THIS DRAWING AND SPECIFICATIONS HEREIN ARE THE PROPERTY OF DIGITAL EQUIPMENT CORPORATION AND SHALL NOT BE REPRODUCED OR COPIED OR USED IN WHOLE OR IN PART AS THE BASIS FOR THE MANUFACTURE OR SALE OF ITEMS WITHOUT WRITTEN PERMISSION. COPYRIGHT © 1977, DIGITAL EQUIPMENT CORPORATION



REV.	CHG.	NO.	BY	DATE
1		1	R. KENNEDY	5/2/77
2		2	R. KENNEDY	5/2/77
3		3	R. KENNEDY	5/2/77
4		4	R. KENNEDY	5/2/77
5		5	R. KENNEDY	5/2/77
6		6	R. KENNEDY	5/2/77
7		7	R. KENNEDY	5/2/77
8		8	R. KENNEDY	5/2/77

DRG. NO.	5413089-0-1	FIRST USED ON	H765
CHK. NO.	5413089-0-1	TITLE	A.C. CONTROL BOARD
ENG. NO.	5413089-0-1	SCALE	NONE
PROJ. ENG. NO.	5413089-0-1	SHEET	1 OF 1
PROD. NO.	5413089-0-1	DIST.	
NEXT HIGHER ASSY.	D-UA-5413089-0-0	SIZE	D
SCALE	NONE	CODE	CS
SHEET	1 OF 1	NUMBER	5413089-0-1
		REV.	E