

"THE MATERIAL HEREIN IS FOR INFORMATION PURPOSES ONLY AND IS SUBJECT TO CHANGE WITHOUT NOTICE. DIGITAL EQUIPMENT CORPORATION ASSUMES NO RESPONSIBILITY FOR ANY ERRORS WHICH MAY APPEAR HEREIN."

DRAWING DIRECTORY

"THIS DRAWING AND SPECIFICATIONS, HEREIN, ARE THE PROPERTY OF DIGITAL EQUIPMENT CORPORATION AND SHALL NOT BE REPRODUCED OR COPIED OR USED IN WHOLE OR IN PART AS THE BASIS FOR THE MANUFACTURE OR SALE OF ITEMS WITHOUT WRITTEN PERMISSION. COPYRIGHT © 1983 DIGITAL EQUIPMENT CORPORATION."

B-DD-DHV11-0-0
 B-PL-DHV11-0-0
 B-DD-M3104-0-0

VARIATIONS

VAR	TITLE
DHV11-M	8 LINE ASYNC MUX FOR Q-BUS
DHV11-AP	SYSTEM INTEGRATED 8 LINE ASYNC MUX

REVISION HISTORY		REV
DATE	ECO NUMBER	
2/84	CK-DHV11-RY001	B

DRN.	3D ENG.	DATE	8/83	TITLE	
CHK'D	P. DAMPIER	DATE	16/8/83	DHV11 ASYNC MUX	
DES. ENG.	T. HOLMES	DATE	16/8/83	DOCUMENT NUMBER	
RESP. ENG.	M. CHAMBERLAIN	DATE	16/8/83	SIZE	CODE
MFG. ENG.	P. TOOMEY	DATE	16/8/83	B	DD
			NUMBER		REV.
			DHV11-0-0		B
				SHEET 1 OF 1	

digital

PARTS LIST

QUANTITY / VARIATION

NOTES:

DRN. 3D ENG.
DATE AUG 83

DES. ENG. T.HOLMES
DATE 16 AUG 83

MFG. ENG. P.TOOMEY
ppm S Chamberlain

CHK'D. P.DAMPIER
DATE 16 AUG 83

RESP. ENG. M.CHAMBERLAIN
DATE M S Chamberlain

TOP DOC. NO.
B-DD-DHV11-0-0

ITEM NO.	DRAWING NO.	PART NO.	DESCRIPTION	QUANTITY / VARIATION										REFERENCE DESIGNATORS			
				DHV11-M	DHV11-AP												
1.	B-DD-M3104-0-0	M3104	8 LINE ASYNC MUX FOR Q-BUS	1	1												
2.		EK-DHV11-TM	MANUAL	1	1												
3.		37-00745-01	PACKAGING	1	0												
4.	B-DD-CK-DHV11-XX	CK-DHV11-XX	CABINET KIT REF. ITEM 5	0	1												
5.	K-AR-CK-CKREF-0-0		REFERENCE DOCUMENT FOR CAB KITS	0	1												

ECO NO.
CK-DHV11
-RY001

"THIS DRAWING AND SPECIFICATIONS HEREIN ARE THE PROPERTY OF DIGITAL EQUIPMENT CORPORATION AND SHALL NOT BE REPRODUCED OR COPIED OR USED IN WHOLE OR IN PART AS THE BASIS FOR THE MANUFACTURE OR SALE OF ITEMS WITHOUT WRITTEN PERMISSION
COPYRIGHT © 1983 DIGITAL EQUIPMENT CORPORATION"

TITLE
PARTS LIST DHV11-0-0

ASSY. NO.

SIZE CODE
B PL

NUMBER
DHV11-0-0

REV.
B

SECTION A OF A

SHEET A1 OF A1

DRAWING NO.	NO. OF SHTS.	PART NO.	DESCRIPTION	REVISIONS															
				A1	B1														
		M3104-C 0	DHV11 ASYNC MUX	A1	B1														
D-UA-M3104-0-0	1		DHV11 ASYNC MUX UNIT ASSEMBLY	A	B														
D-CS-M3104-0-0	16		DHV11 ASYNC MUX CIRCUIT SCHEMATIC	A	B														
K-PL-M3104-0-DBP	3		DHV11 ASYNC MUX PARTS LIST	A	B														
K-PC-M3104-0-DBJ			P.C. DESIGN DATABASE	A	A														
		5015587-01	ETCHED CIRCUIT BOARD	A1	A1														
B-DD-5015587-0-0	1		DRAWING DIRECTORY	A	A														

NOTES:

REVISION HISTORY		DATE	ECO NO.	INITIAL	REV.
JUN 83					A
JAN 84	M3104-RY001				B

THIS DRAWING AND THE SPECIFICATIONS CONTAINED HEREIN ARE CONFIDENTIAL AND PROPRIETARY. THEY ARE THE PROPERTY OF DIGITAL EQUIPMENT CORPORATION AND SHALL NOT BE REPRODUCED OR COPIED OR USED IN WHOLE OR IN PART AS THE BASIS FOR THE MANUFACTURE OR SALE OF ITEMS WITHOUT WRITTEN PERMISSION. THIS IS AN UNPUBLISHED WORK PROTECTED UNDER THE FEDERAL COPYRIGHT LAWS.



1983

DRN. RONALD RHOADES	DATE 6/28/83	TITLE
CHK'D <i>[Signature]</i>	DATE 12/22/83	DHV11 ASYNC MUX
DES. ENG. <i>[Signature]</i>	DATE 1 Jul 83	DOCUMENT NUMBER
RESP. ENG. <i>[Signature]</i>	DATE 1 Jul 83	NUMBER M3104-0-0
MFG. ENG. <i>[Signature]</i>	DATE 1 Jul 83	REV. B
SIZE B DD		SHEET 1 OF 1

LINE	ITEM	TOP DOCUMENT	PART NUMBER	MIN REV	DESCRIPTION	VARIATION REVISION LEVEL:	QTY PER VARIATION	REFERENCE DESIGNATOR
1	1	D-MD-5015587-0-0	5015587-01		DRILL AND ETCH CUT BOARD		1	C1
2	2		1000021-00		220.0 MMF 100V 5%200PPM MICA		1	C8,C9
3	3		1000042-00		1000.0 MMF 100V 5%200PPM MICA		2	C4
4	4		1010978-36		.1 MFD 50V 10% CER		1	C2,C10
5	5		1011683-00		.022 MFD 50V 10% CER		2	C11,C12,C43,C44
6	6		1012084-01		8 MFD 25V +75-10% AL EL		4	C3,C14-C16,C18-C42,C45-C58
7	7		1012784-00		.047 MFD 50V +80-20% CER		43	C5-C7
8	8		1014052-00		100 MFD 25V+100-10% AL EL		3	D1
9	9		1100100-00		PIV= 25 IO=100 MA -50NS		1	
10	10		1112594-00		*** THIS ITEM IS NOT USED ***		-	
11	11		1114384-00		LED 105MW 35MA GREEN		1	D2
12	12		1209941-02		PCB,HEADER 40PIN(2X20).100CC 90D		2	J1,J2
13	13		1209941-03		PCB,HEADER LATCH		2	
14	14		1209941-04		PCB,HEADER LATCH		2	
15	15		1210929-06		FUSE, SUB-MINI, 2.000A, 125V, A		1	F1
16	16		1211164-04		SW,DIP 08POS/1PST 5VDC100MA F		2	E43,E58
17	17		1213113-01		HANDLE,MODULE,		1	
18	18		1215006-08		SKT,IC 40PIN DIP TIN SOLD		2	XE49,XE111
19	19		1300295-00		330.0 .25 W 5.0 % CF		2	R9,R24
20	20		1300316-00		470.0 .25 W 5.0 % CF		2	R7,R8
21	21		1300365-00		1.0 K .25 W 5.0 % CF		5	R1-R4,R17
22	22		1300479-00		10.0 K .25 W 5.0 % CF		1	R13
23	23		1301423-00		6.80 K .25 W 5.0 % CF		1	R11
24	24		1301969-00		22.0 .25 W 5.0 % CF		1	R15
25	25		1302388-00		2.0 K .25 W 5.0 % CF		1	R22
26	26		1302391-00		20.0 K .25 W 5.0 % CF		1	R21
27	27		1302394-00		30.0 K .25 W 5.0 % CF		1	R12
28	28		1302466-00		100.0 K .25 W 5.0 % CF		1	R19
29	29		1303312-00		10.0 K .25 W 1.0 % RN55D-F10		1	R18
30	30		1311003-02		R NETWORK 14-330 14-680 16PIN		1	E1

REVISION HISTORY		BASIC PART NO: M3104		DRN: RITA BUREAU	DATE: 16-JUN-83	DIGITAL		
ENG: ECO NUMBER	REV	SECTION A OF A	CHK'D: BRIAN GOOD	DATE: 16-JUN-83	TITLE PARTS LIST			
INITIAL	A	SECTION,VARIATION INDEX	DES.ENG: M. CHAMBERLAIN	DATE: 16-JUN-83	DOCUMENT NUMBER			
BJG:M3104-RY001	B	[A] 00	RESP.ENG.: M. CHAMBERLAIN	DATE: 16-JUN-83	SIZE: K	CODE: PL	NUMBER: M3104-0-DBP	REV: B
		[B]	MFG.ENG.: P. TOOMEY	DATE: 16-JUN-83	RELEASE DATE: 23-FEB-84			
		[C]	ASSEMBLY NUMBER:	TOP DOCUMENT NUMBER:	FILE NAME:		EDIT #:	
		[D]	D-UA-M3104-0-0	B-DD-M3104-0-0	Z7498B.PLS		3	
		[E]						
		[F]						
		[G]						
		[H]						
		[I]						
		[J]						
		[K]						
		[L]						
		[M]						
		[N]						

THIS DRAWING AND THE SPECIFICATIONS CONTAINED HEREIN ARE CONFIDENTIAL AND PROPRIETARY. THEY ARE THE PROPERTY OF DIGITAL EQUIPMENT CORPORATION AND SHALL NOT BE REPRODUCED OR COPIED OR USED IN WHOLE OR IN PART AS THE BASIS FOR THE MANUFACTURE OR SALE OF ITEMS WITHOUT WRITTEN PERMISSION. THIS IS AN UNPUBLISHED WORK PROTECTED UNDER THE FEDERAL COPYRIGHT LAWS.

LINE	ITEM	TOP DOCUMENT	PART NUMBER	MIN REV	DESCRIPTION	QTY PER VARIATION	REFERENCE DESIGNATOR
						00	
							VARIATION REVISION LEVEL:
31	31		1311522-00		200.0 .25 W 5.0 % CF	1	R6
32	32		1313349-00		33.0 K .25 W 5.0 % CF	1	R23
33	33		1313597-00		23.70 K .25 W 1.0 % RN55D-F10	1	R20
34	34		1316334-02		*** THIS ITEM IS NOT USED ***	-	
35	35		1319470-12		82.0 1.0 W 5.0 % M.OXIDE	1	R16
36	36		1321442-01		R NETWORK 9-26K 2.0 % 10PIN S	5	Z1,Z3-Z6
37	37		1321509-01		.39 1.0 W 5.0 % WW	1	R14
38	38		1510414-00		D 45C6 PNF 30WT SI 45 20 Y	1	Q1
39	39		1621443-01		55.0 MH 2.2A INDUCTOR	1	L1
40	40		1811660-21		OSCILLATOR, XTAL 24.000 MHZ	1	Y1
41	41		1811660-52		OSCILLATOR, XTAL 3.6864 MHZ	1	Y2
42	42		1910532-00		74S00 NAND GATE-QUAD 2IN	2	E11,E82
43	43		1910534-00		74S04 INVERTER GATE-HEX 1I	1	E78
44	44		1910544-00		74S74 FF-D DUAL,EDGE TRIGG	2	E7,E28
45	45		1910544-01		74S74-60GG-D DUAL,EDGE TRIG	2	E9,E73
46	46		1910547-00		74S153 MUX 1 OF 4 (DUAL)	1	E69
47	47		1911579-01		8641-1 TRANSCEIVER,BUS,QUA	1	E3
48	48		1911675-00		74S138 DECODER/DEMUX 3-8 LI	2	E37,E95
49	49		1911676-00		74S139 DECODER-DUAL TWO-INP	1	E77
50	50		1912729-00	DC	004 PROTOCOL,REG. SELECT	1	E21
51	51		1912730-00	DC	003 INTERRUPT,2 CIRCUIT	1	E2
52	52		1912799-00		LS00 NAND-GATE-QUAD 2IN,P	8	E22,E26,E29,E35,E63,E75,E79,E81
53	53		1912801-00		LS02 NOR-GATE-QUAD 2IN	4	E4,E5,E91,E101
54	54		1912803-00		LS04 INVERTER GATE,HEX	4	E24,E34,E88,E97
55	55		1912807-00		LS10 NAND GATE-TRIPLE 3IN	1	E25
56	56		1912813-00		LS27 NOR GATE-TRIPLE 3IN	1	E68
57	57		1912824-00		LS74 FF-D DUAL,EDGE TRIGG	7	E6,E8,E61,E62,E71,E90,E96
58	58		1912853-00		LS175 FF-D QUAD	2	E36,E92
59	59		1912865-00		LS283 ADDER-4BIT BINARY FU	1	E67
60	60		1913040-00	DC	005 TRANSCEIVER 4BIT	6	E19,E40,E41,E55-E57
61	61		1913414-00		LS14 INVERTER GATE-HEX SC	1	E23
62	62		1913671-51		74S374 FF-D,OCTAL,TRI STATE	1	E70
63	63		1914038-00	DC	010 BIPOLAR,MEM ADRESS,L	1	E20
64	64		1914082-00		74S163 COUNTER,SYNCH UP/DOW	4	E10,E27,E72,E76
65	65		1914214-00		LS374 FF-D OCTAL EDGE TRIG	15	E42,E44-E46,E59,E60,E65,E80,E93,
							CONT E94,E106,E108,E122,E128,E129
66	66		1914451-00		LS393 COUNTER,BINARY,4BIT	3	E89,E103,E105
67	67		1915193-00		LS244 DRIVER,LINE,OCTAL,T	1	E127
68	68		1915415-00		9636 DRIVER,DUAL,EIA RS-	12	E13,E14,E31,E32,E39,E53,E99,
							CONT E100,E114,E119,E132,E133
69	69		1915416-00		9637 RECEIVER,DUAL,RS-42	20	E15-E18,E30,E33,E38,E51,E52,E54,
							CONT E86,E87,E113,E115-E118,E120,
							CONT E130,E131
70	70		1915932-00		LS125 BUFFER,QUAD BUS	5	E83,E84,E98,E102,E121
71	71		1919189-00		COMPARATOR,8-BIT BIP	1	E104
72	72		1920853-01		LS646 BUS TRANSCEIVER/REGI	4	E47,E48,E109,E110
73	73		1921592-01	TL	494 MODULATOR,PULSE WIDT	1	E66
74	74		1921621-01		74ALS573 TRANSPARENT D-TYPE L	1	E107

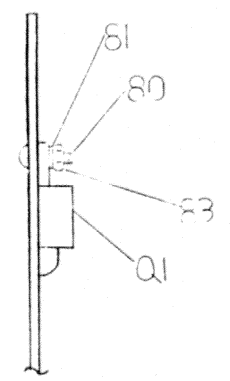
DIGITAL		TITLE	SECTION A OF A		SIZE	CODE	DOCUMENT NUMBER	REV
		DHV11 ASYNC MUX					M3104-0-DBP	B

LINE	ITEM	TOP DOCUMENT	PART NUMBER	MIN REV	DESCRIPTION	QTY PER VARIATION	REFERENCE DESIGNATOR
						00	
75	75		2114212-00	P	2114-2 RAM,1024X4,STATIC	4	E123-E126
76	76		2120068-01		2681 REC./TRANS.,ASYNC.,D	4	E12,E50,E85,E112
77	77		23013M1-00		*** THIS ITEM IS NOT USED ***	-	
78	78		23014M1-00		*** THIS ITEM IS NOT USED ***	-	
79	79		9000024-01		EYELET,ROLLED 0.1210DX0.192	8	
80	80		9006010-01		SCREW,MACH PAN PHIL 4-	1	
81	81		9006688-00		WASHER,HELICAL SPLIT SST	1	
82	82		9009185-00		JUMPER, WIRE, INSULATED, BLACK B	2	W1,W2
83	83		9009280-00		NUT,HEX 4-40X .184AF SS/N	1	
84	84		1112594-01		FIV= 200 IO= 3.00A	1	D3
85	85		1322643-01		R-NETWORK 22K 2.0 % 10PIN	2	Z2,Z7
86	86		23015M1-00		M1-01	1	E49
87	87		23016M1-00		M1-01	1	E111

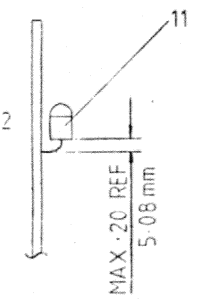
! D I G I T A L !	! TITLE !	! SECTION A OF A !	! SIZE !	! CODE !	! DOCUMENT NUMBER !	! REV !
	DHV11 ASYNC MUX		K	PL	M3104-0-DBP	B

THIS DRAWING AND SPECIFICATIONS HEREIN ARE THE PROPERTY OF DIGITAL EQUIPMENT CORPORATION AND SHALL NOT BE REPRODUCED OR COPIED OR USED IN WHOLE OR IN PART AS THE BASIS FOR THE MANUFACTURE OR SALE OF ITEMS WITHOUT WRITTEN PERMISSION.
 COPYRIGHT © 1973 DIGITAL EQUIPMENT CORPORATION

VIEW SHOWING MOUNTING OF Q1. TORQUE ITEM 83 (NLT) TO 5 IN LB



VIEW SHOWING MOUNTING OF D2



NOTES: Y1 AND Y2 TO BE ASSEMBLED TO MODULE AFTER A.T.E. TESTING
 2 E64 AND E74 ARE SPARE LOCATIONS

STEP	↑ Y AXIS	STEP	TIMES
REPEAT	→ X AXIS	STEP	TIMES

CHG	NO	REV	B
BIG	M3104	RY001	

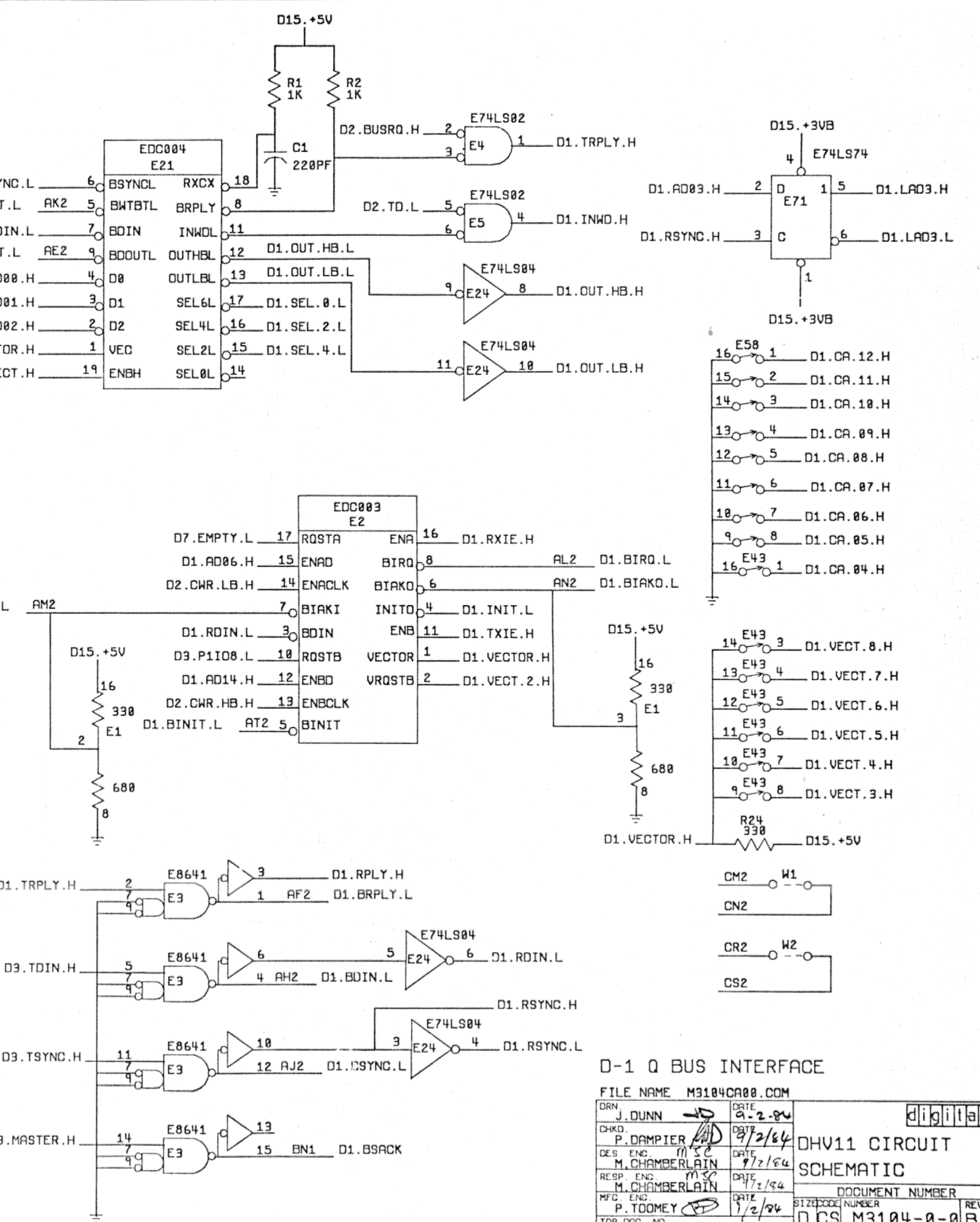
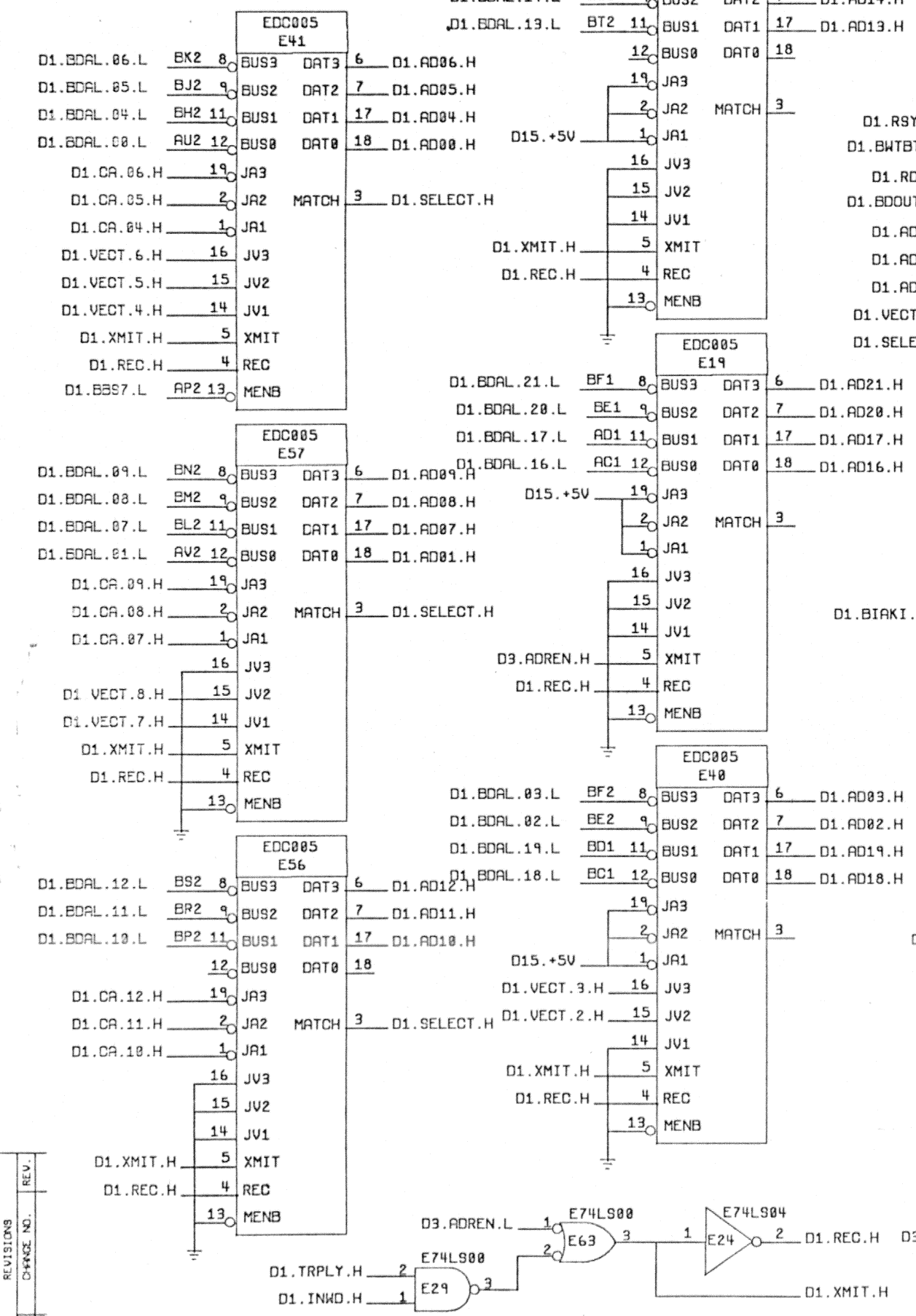
ETCH	REV. 41
------	---------

SIGNATURES		DATE	digital
DRN. <i>Franklin</i>		4/28/74	
CHK'D. <i>...</i>		5/1/74	TITLE DHV1 ASYNC MUX
MECH. ENG. <i>...</i>		1/24/74	
PROJ. ENG. <i>...</i>		1/24/74	
PRODD. <i>...</i>		1/24/74	
SCALE 2:1		SIZE CODE	NUMBER
SHT. 1 OF 1		0 UA	M3104-0-0
TOP DOC NO. 03-00-M3104-0-0			REV B

1 WO# 275227

THIS DRAWING AND SPECIFICATIONS, HEREIN, ARE THE PROPERTY OF DIGITAL EQUIPMENT CORPORATION AND SHALL NOT BE REPRODUCED OR COPIED OR USED IN WHOLE OR IN PART AS THE BASIS FOR THE MANUFACTURE OR SALE OF ITEMS WITHOUT WRITTEN PERMISSION.
 COPYRIGHT 1984 DIGITAL EQUIPMENT CORPORATION

D
C
B
A



D-1 Q BUS INTERFACE

FILE NAME M3104CA00.COM

DRN	J. DUNN	DATE	9-2-84
CHKD.	P. DAMPIER	DATE	9/2/84
DES. ENG.	M. CHAMBERLAIN	DATE	9/2/84
RESP. ENG.	M. CHAMBERLAIN	DATE	9/2/84
MFG. ENG.	P. TOOMEY	DATE	9/2/84
TOP DOC. NO.	B-DD-M3104-0-0	SCALE	

Digital

DHV11 CIRCUIT SCHEMATIC

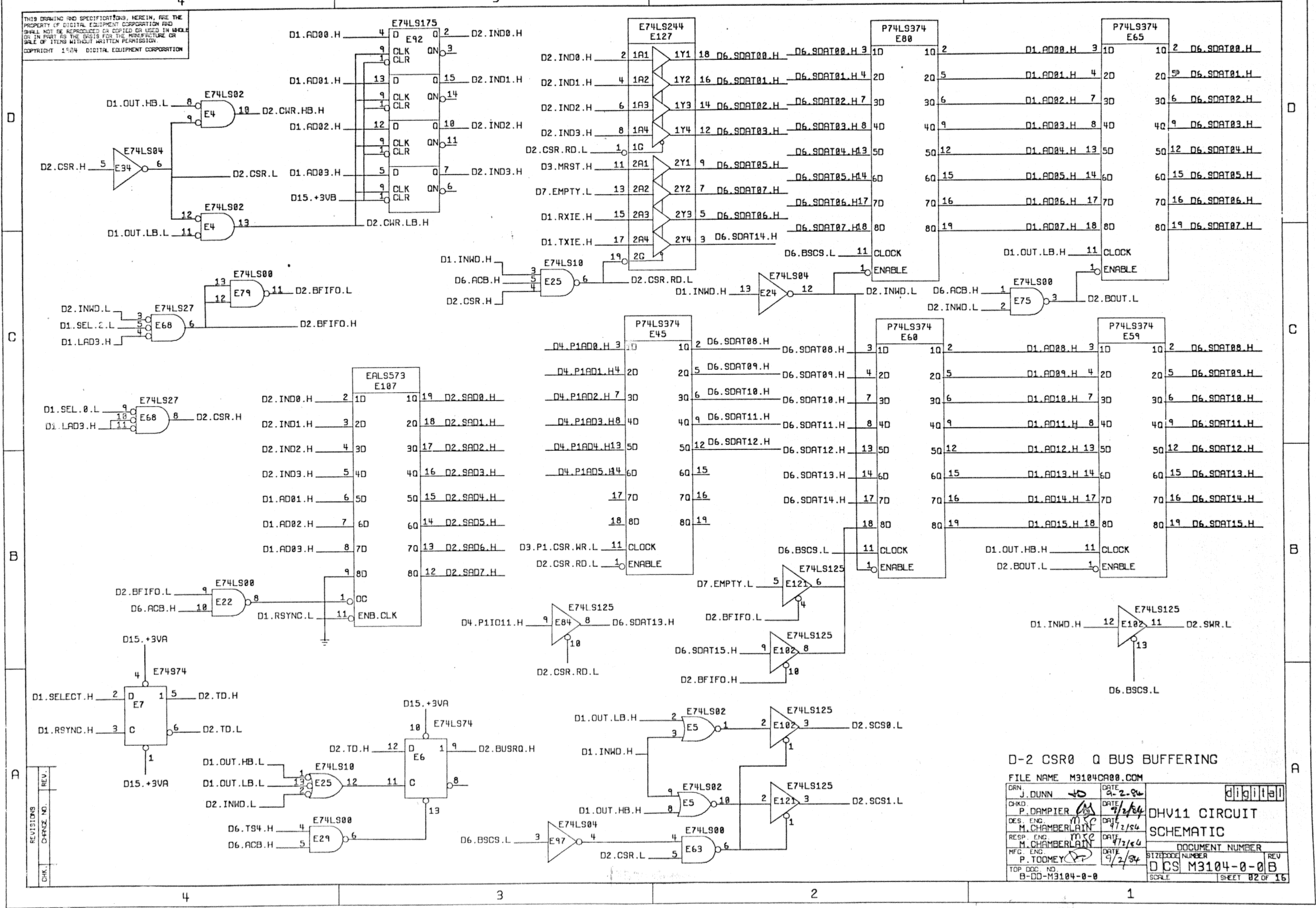
DOCUMENT NUMBER

D CS M3104-0-0 B

SHEET 01 OF 16

REV.	
CHANGE NO.	
CHK.	

THIS DRAWING AND SPECIFICATIONS, HEREIN, ARE THE PROPERTY OF DIGITAL EQUIPMENT CORPORATION AND SHALL NOT BE REPRODUCED OR COPIED OR USED IN WHOLE OR IN PART AS THE BASIS FOR THE MANUFACTURE OR SALE OF ITEMS WITHOUT WRITTEN PERMISSION.
 COPYRIGHT 1974 DIGITAL EQUIPMENT CORPORATION



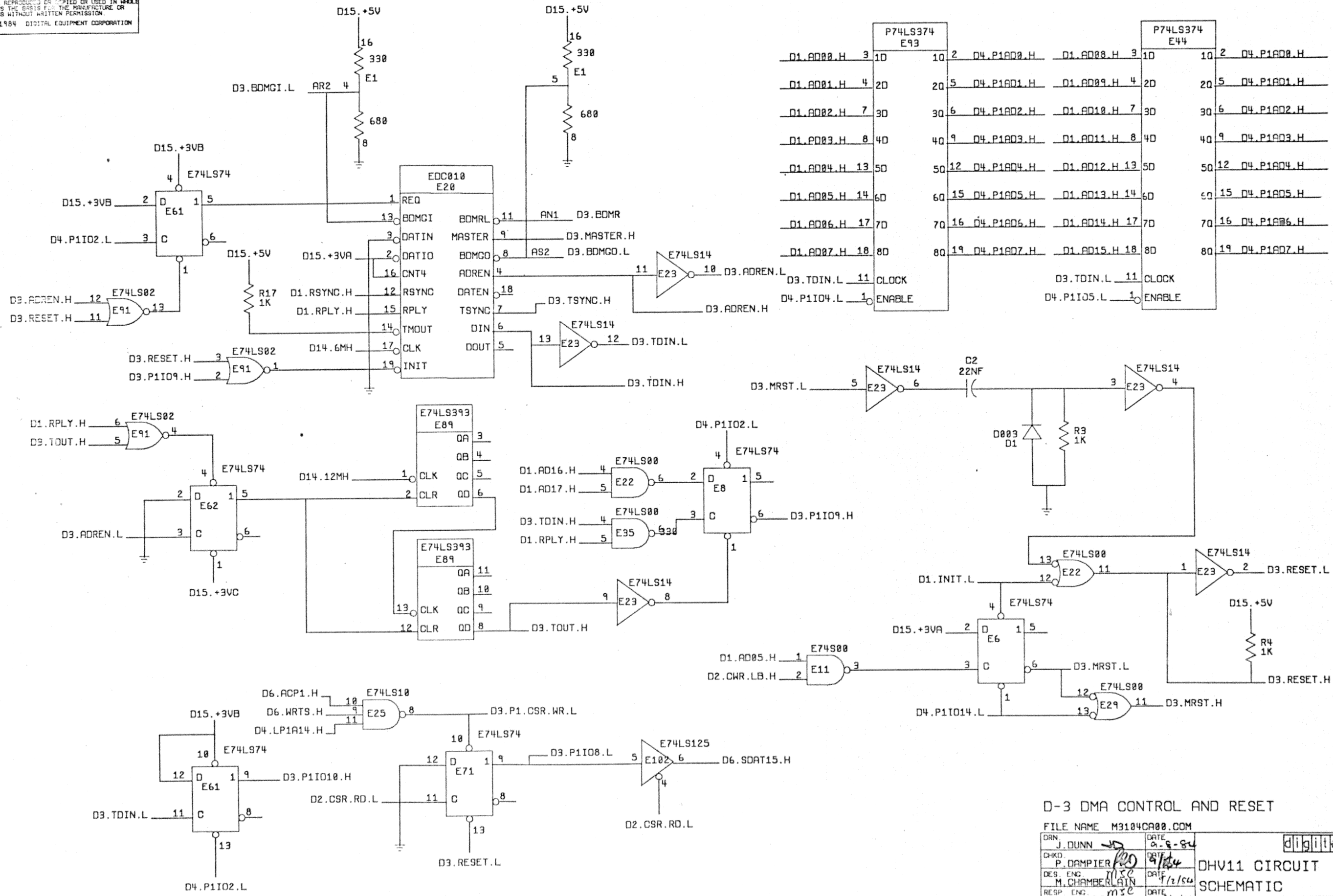
D-2 CSR0 Q BUS BUFFERING

FILE NAME M3104CA00.COM

DRN. J. DUNN	DATE 2-2-80	
CHKD. P. DAMPIER	DATE 2/2/84	
DES. ENG. M. CHAMBERLAIN	DATE 9/2/84	
RESP. ENG. M. CHAMBERLAIN	DATE 9/2/84	
MFG. ENG. P. TOOMEY	DATE 9/2/84	
TOP DOC. NO. B-DD-M3104-0-0		DOCUMENT NUMBER D CS M3104-0-0B SCALE SHEET 02 OF 16

REV.	CHG.	NO.

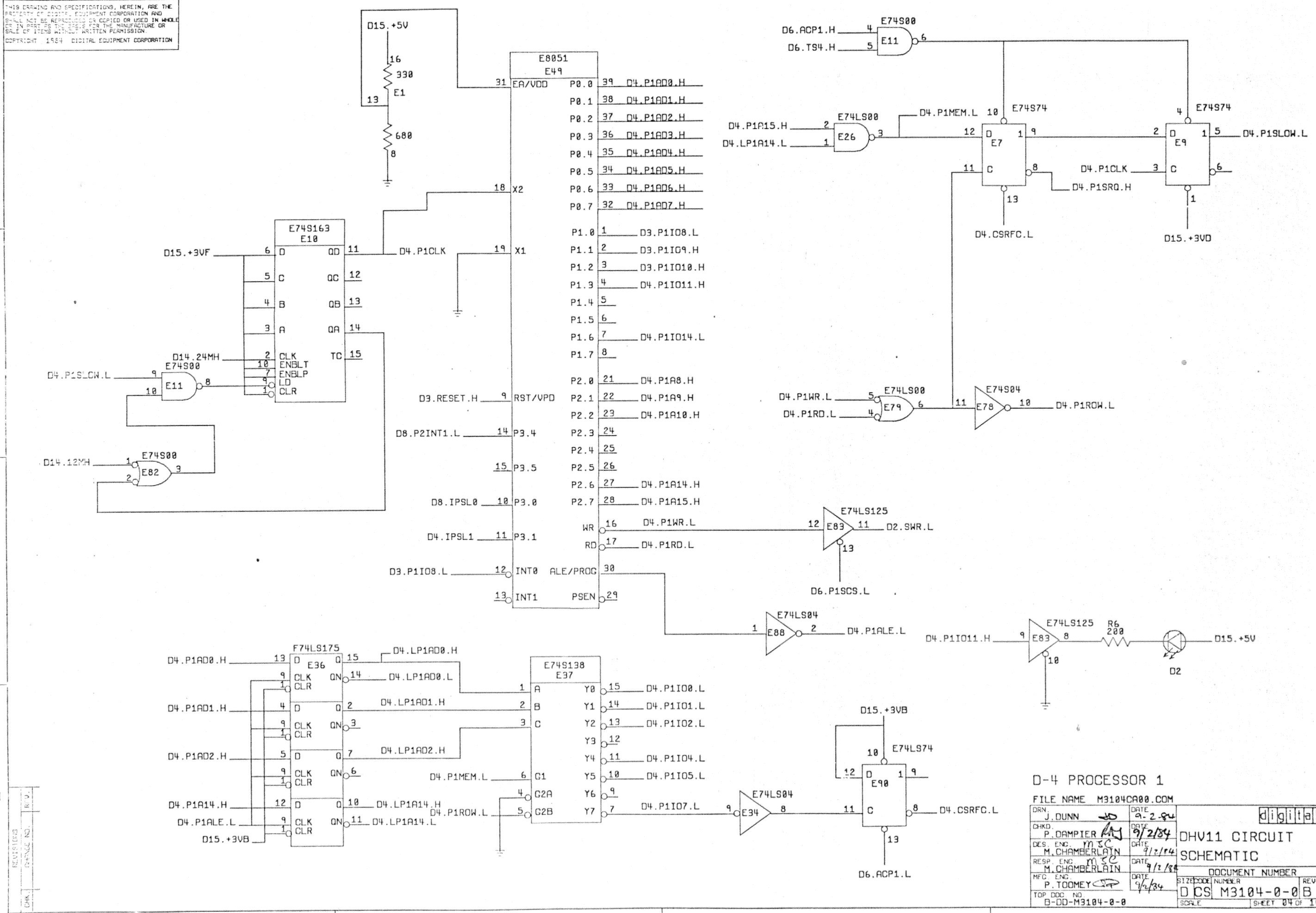
THIS DRAWING AND SPECIFICATIONS, HEREIN, ARE THE PROPERTY OF DIGITAL EQUIPMENT CORPORATION AND SHALL NOT BE REPRODUCED OR COPIED OR USED IN WHOLE OR IN PART AS THE BASIS FOR THE MANUFACTURE OR SALE OF ITEMS WITHOUT WRITTEN PERMISSION.
 COPYRIGHT 1984 DIGITAL EQUIPMENT CORPORATION



REV.	CHG.	NO.	DATE

D-3 DMA CONTROL AND RESET			
FILE NAME M3104CA00.COM			
DRN J. DUNN	DATE 9-8-84	DHV11 CIRCUIT SCHEMATIC DOCUMENT NUMBER D CS M3104-0-0B SCALE SHEET 03 OF 16	
CHKD. P. DAMPIER	DATE 9/1/84		
DES. ENG. M. CHAMBERLAIN	DATE 7/2/84		
RESP. ENG. M. CHAMBERLAIN	DATE 7/2/84		
MFG. ENG. P. TOOMEY	DATE 9/2/84		
TOP DOC. NO. B-DD-M3104-0-0			

THIS DRAWING AND SPECIFICATIONS, HEREIN, ARE THE PROPERTY OF DIGITAL EQUIPMENT CORPORATION AND SHALL NOT BE REPRODUCED OR COPIED OR USED IN WHOLE OR IN PART FOR THE BASIS FOR THE MANUFACTURE OR SALE OF ITEMS WITHOUT WRITTEN PERMISSION.
 COPYRIGHT 1984 DIGITAL EQUIPMENT CORPORATION



D-4 PROCESSOR 1
 FILE NAME M3104CA00.COM

DRN. J. DUNN	DATE 9-2-84	digital
CHKD. P. DAMPIER	DATE 9/2/84	
DES. ENC. M. CHAMBERLAIN	DATE 9/2/84	OHV11 CIRCUIT SCHEMATIC
RESP. ENG. M. CHAMBERLAIN	DATE 9/2/84	
MFG. ENG. P. TOOMEY	DATE 9/2/84	DOCUMENT NUMBER
TOP DOC NO. B-DD-M3104-0-8	SCALE	REV. M3104-0-0B

SH-ET 04 OF 16

THIS DRAWING AND SPECIFICATIONS, HEREIN, ARE THE PROPERTY OF DIGITAL EQUIPMENT CORPORATION AND SHALL NOT BE REPRODUCED OR COPIED OR USED IN WHOLE OR IN PART AS THE BASIS FOR THE MANUFACTURE OR SALE OF ITEMS WITHOUT WRITTEN PERMISSION.
 COPYRIGHT 1984 DIGITAL EQUIPMENT CORPORATION

D
C
B
A

P74LS374
E94

D4.P1A00.H	3	10	2	D1.A000.H
D4.P1A01.H	4	20	5	D1.A001.H
D4.P1A02.H	7	30	6	D1.A002.H
D4.P1A03.H	8	40	9	D1.A003.H
D4.P1A04.H	13	50	12	D1.A004.H
D4.P1A05.H	14	60	15	D1.A005.H
D4.P1A06.H	17	70	16	D1.A006.H
D4.P1A07.H	18	80	19	D1.A007.H

D4.P1I00.L 11 CLOCK
 D3.ADREN.L 1 ENABLE

P74LS374
E46

D4.P1A08.H	3	10	2	D1.A008.H
D4.P1A09.H	4	20	5	D1.A009.H
D4.P1A10.H	7	30	6	D1.A010.H
D4.P1A11.H	8	40	9	D1.A011.H
D4.P1A12.H	13	50	12	D1.A012.H
D4.P1A13.H	14	60	15	D1.A013.H
D4.P1A14.H	17	70	16	D1.A014.H
D4.P1A15.H	18	80	19	D1.A015.H

D4.P1I01.L 11 CLOCK
 D3.ADREN.L 1 ENABLE

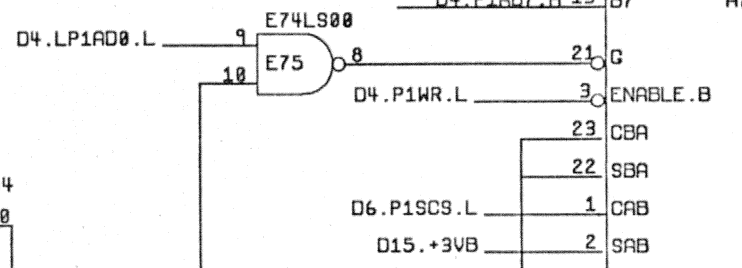
P74LS374
E42

D4.P1A16.H	3	10	2	D1.A016.H
D4.P1A17.H	4	20	5	D1.A017.H
D4.P1A18.H	7	30	6	D1.A018.H
D4.P1A19.H	8	40	9	D1.A019.H
D4.P1A20.H	13	50	12	D1.A020.H
D4.P1A21.H	14	60	15	D1.A021.H
D4.P1A22.H	17	70	16	
D4.P1A23.H	18	80	19	

D4.P1I02.L 11 CLOCK
 D3.ADREN.L 1 ENABLE

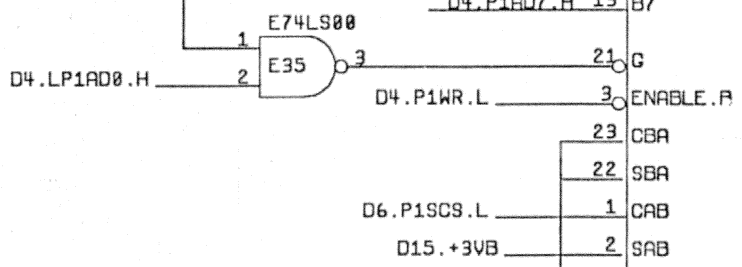
E74LS646
E48

D4.P1A00.H	20	B0	4	D6.SDAT00.H
D4.P1A01.H	19	B1	5	D6.SDAT01.H
D4.P1A02.H	18	B2	6	D6.SDAT02.H
D4.P1A03.H	17	B3	7	D6.SDAT03.H
D4.P1A04.H	16	B4	8	D6.SDAT04.H
D4.P1A05.H	15	B5	9	D6.SDAT05.H
D4.P1A06.H	14	B6	10	D6.SDAT06.H
D4.P1A07.H	13	B7	11	D6.SDAT07.H



E74LS646
E47

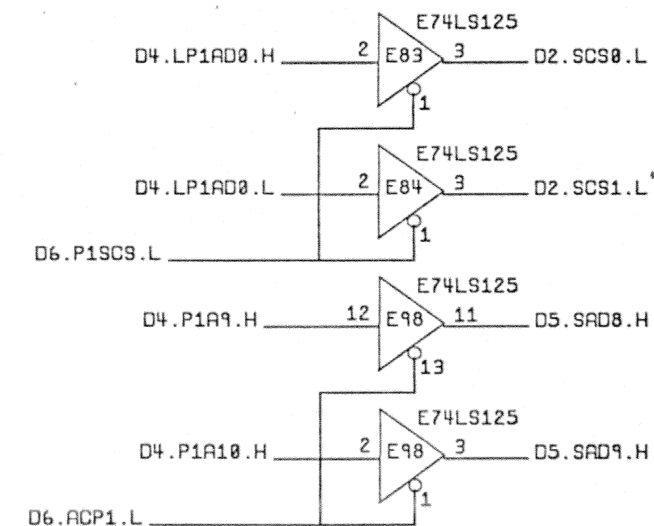
D4.P1A08.H	20	B0	4	D6.SDAT08.H
D4.P1A09.H	19	B1	5	D6.SDAT09.H
D4.P1A10.H	18	B2	6	D6.SDAT10.H
D4.P1A11.H	17	B3	7	D6.SDAT11.H
D4.P1A12.H	16	B4	8	D6.SDAT12.H
D4.P1A13.H	15	B5	9	D6.SDAT13.H
D4.P1A14.H	14	B6	10	D6.SDAT14.H
D4.P1A15.H	13	B7	11	D6.SDAT15.H



P74LS374
E106

D4.P1A01.H	3	10	2	D2.SA00.H
D4.P1A02.H	4	20	5	D2.SA01.H
D4.P1A03.H	7	30	6	D2.SA02.H
D4.P1A04.H	8	40	9	D2.SA03.H
D4.P1A05.H	13	50	12	D2.SA04.H
D4.P1A06.H	14	60	15	D2.SA05.H
D4.P1A07.H	17	70	16	D2.SA06.H
D4.P1A08.H	18	80	19	D2.SA07.H

D4.P1A0.H 18
 D4.P1ALE.L 11 CLOCK
 D6.ACP1.L 1 ENABLE



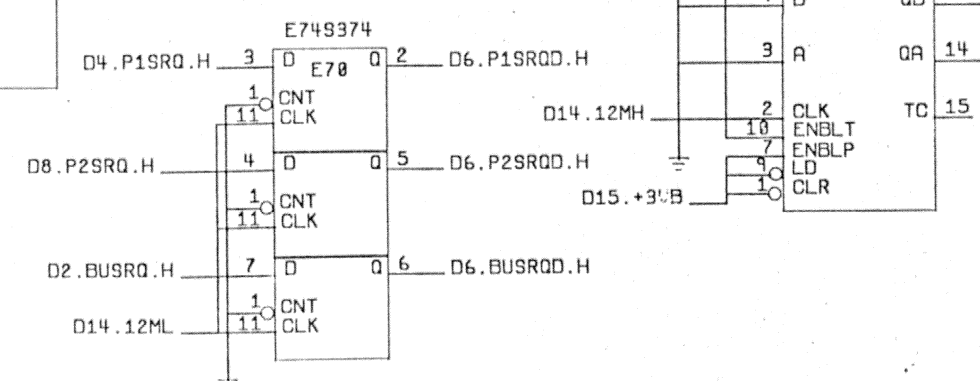
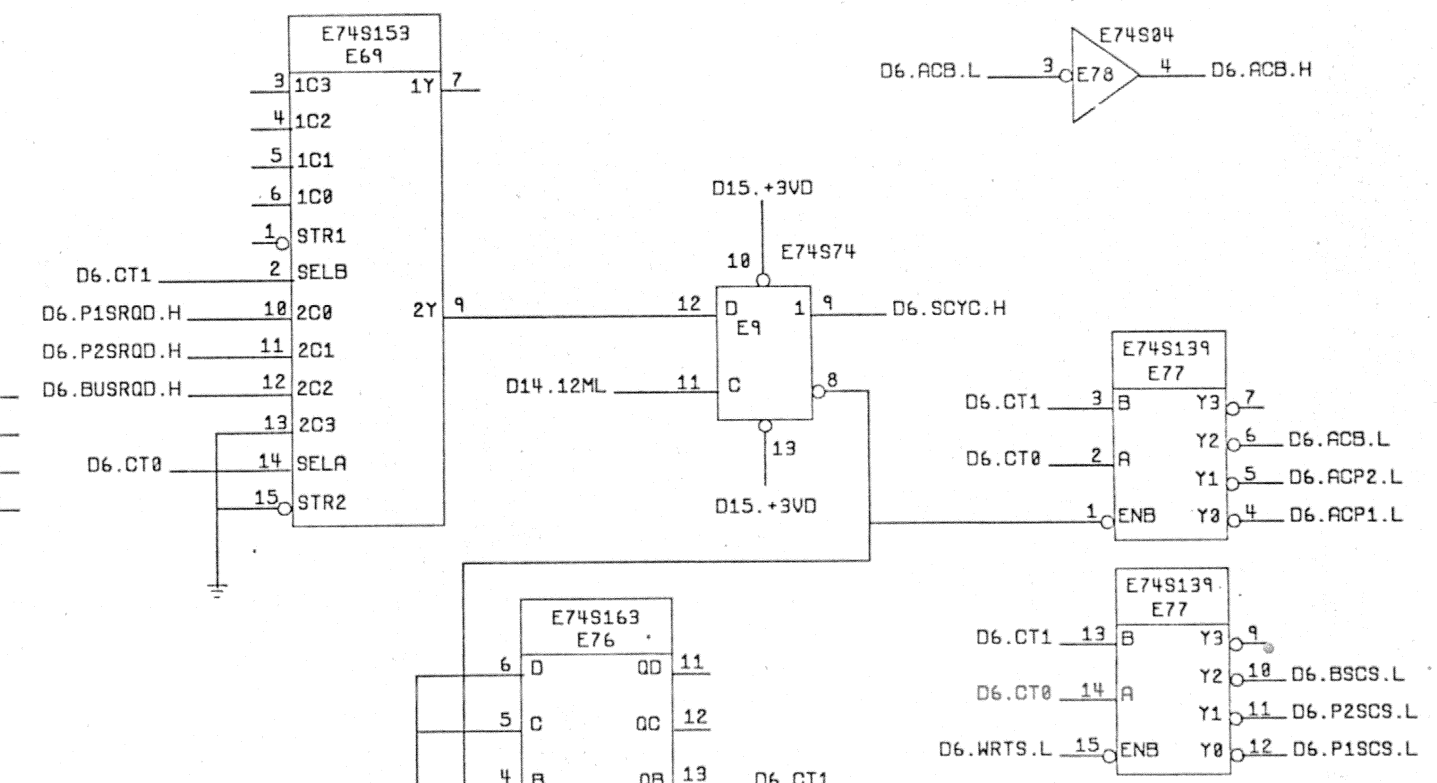
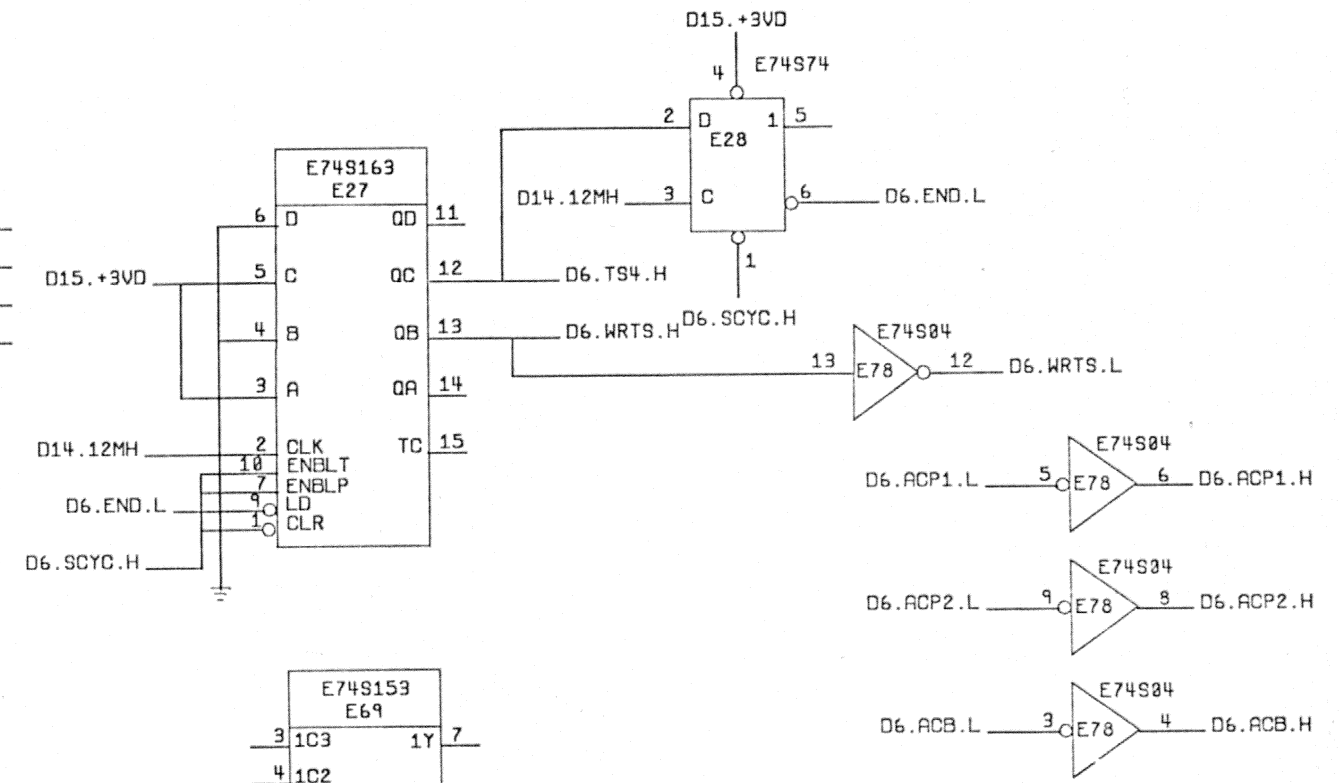
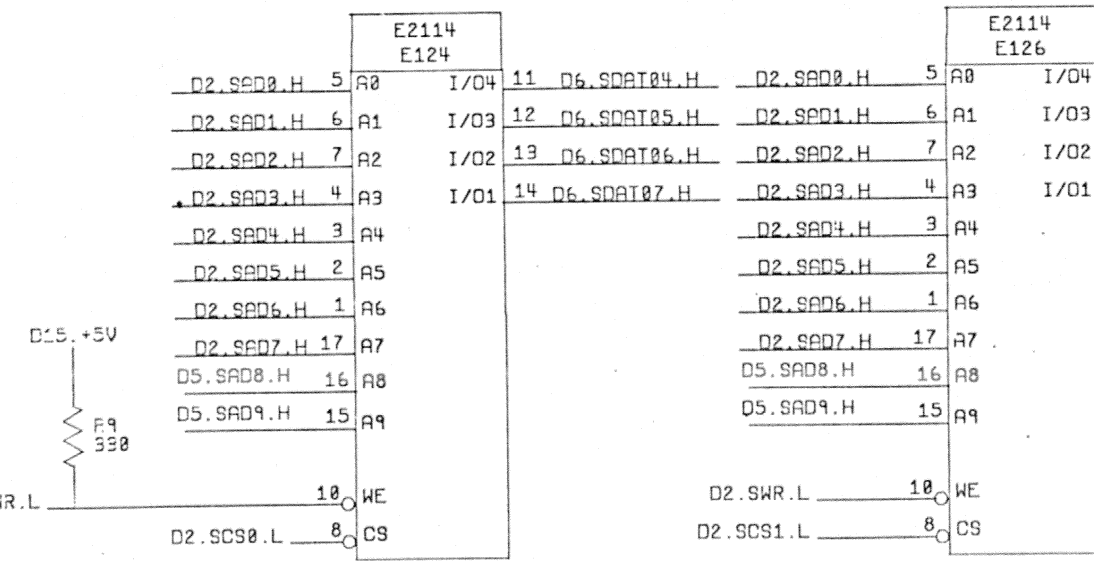
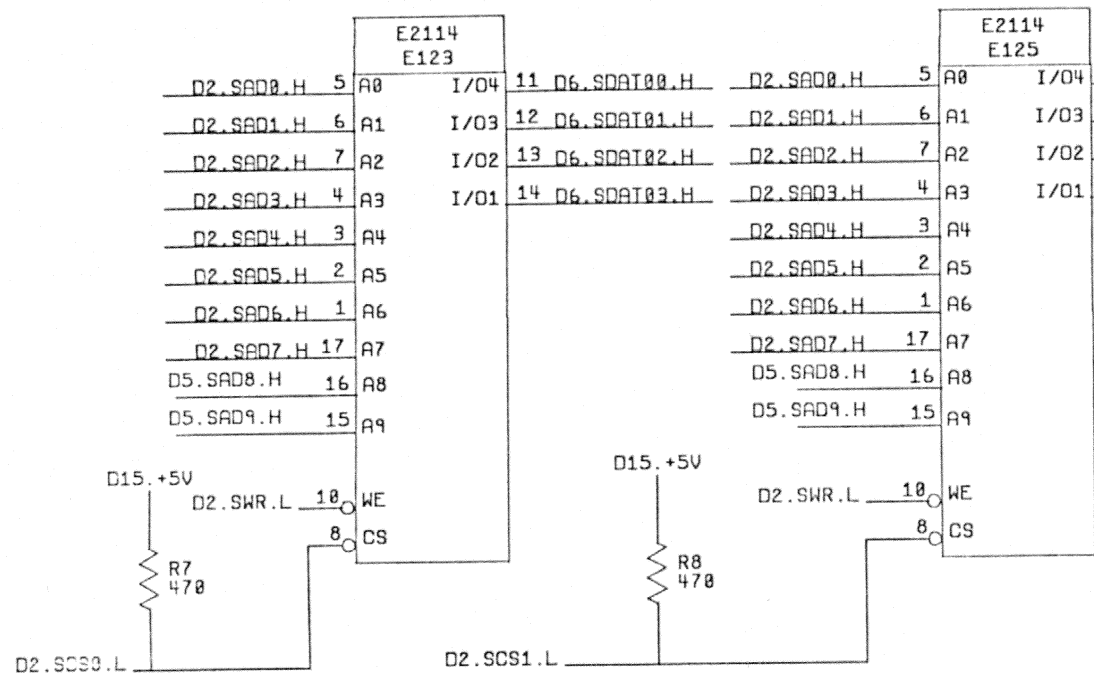
REV.	
CHG.	

D-5 PROCESSOR 1 BUFFERING

FILE NAME M3104C000.COM

DRN	J. DUNN	DATE	9-8-84	digital
CHKD	P. DAMPIER	DATE	9/2/84	
DES. ENG.	M. CHAMBERLAIN	DATE	7/2/84	DHV11 CIRCUIT SCHEMATIC
RESP. ENG.	M. CHAMBERLAIN	DATE	7/2/84	
MFG. ENG.	P. TOOMEY	DATE	7/2/84	DOCUMENT NUMBER
TOP DOC. NO.	B-DD-M3104-0-0	SCALE		D CS M3104-0-0 B
				SHEET 05 OF 16

THIS DRAWING AND SPECIFICATIONS, HEREIN, ARE THE PROPERTY OF DIGITAL EQUIPMENT CORPORATION AND SHALL NOT BE REPRODUCED OR COPIED OR USED IN WHOLE OR IN PART FOR ANY PURPOSES WITHOUT THE WRITTEN PERMISSION OF DIGITAL EQUIPMENT CORPORATION.
 COPYRIGHT 1984 DIGITAL EQUIPMENT CORPORATION



D-6 STORE ARBITRATOR

FILE NAME M3104CA00.COM

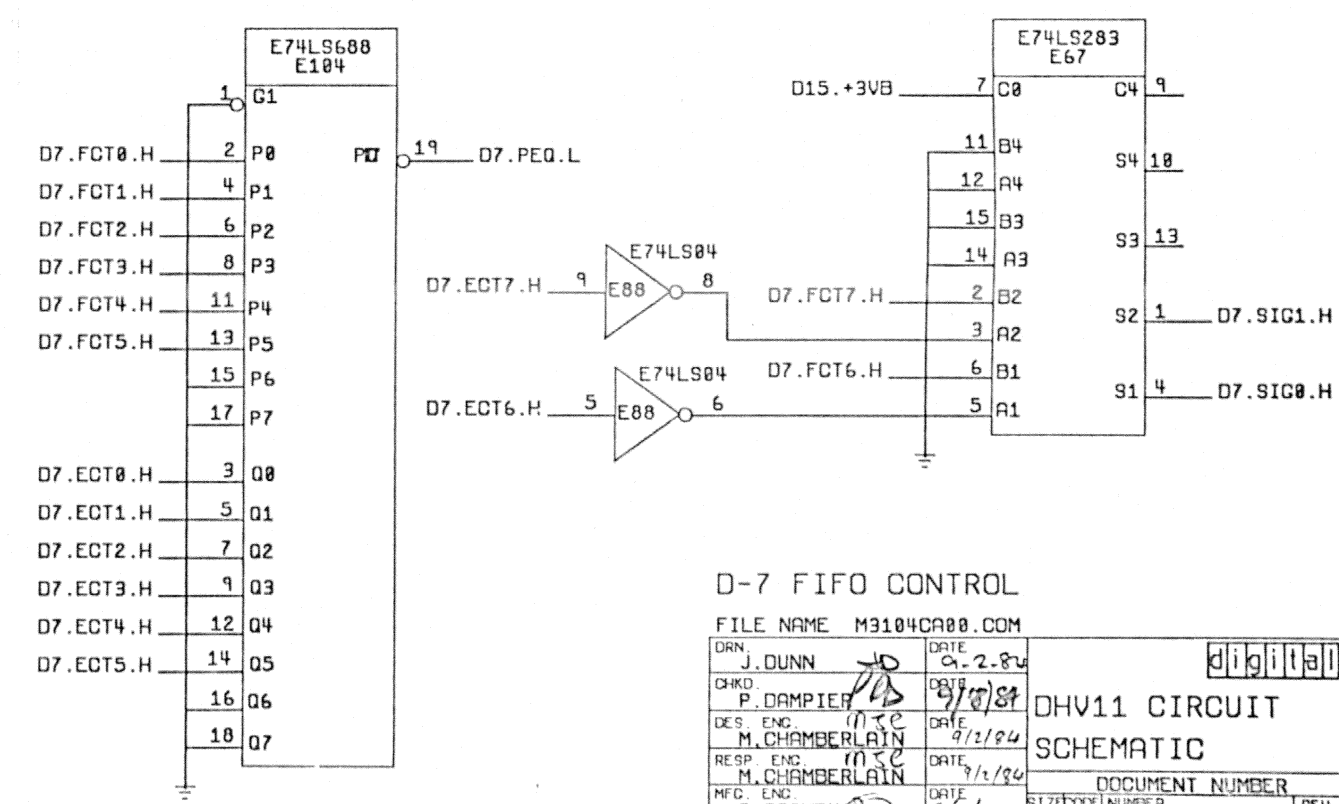
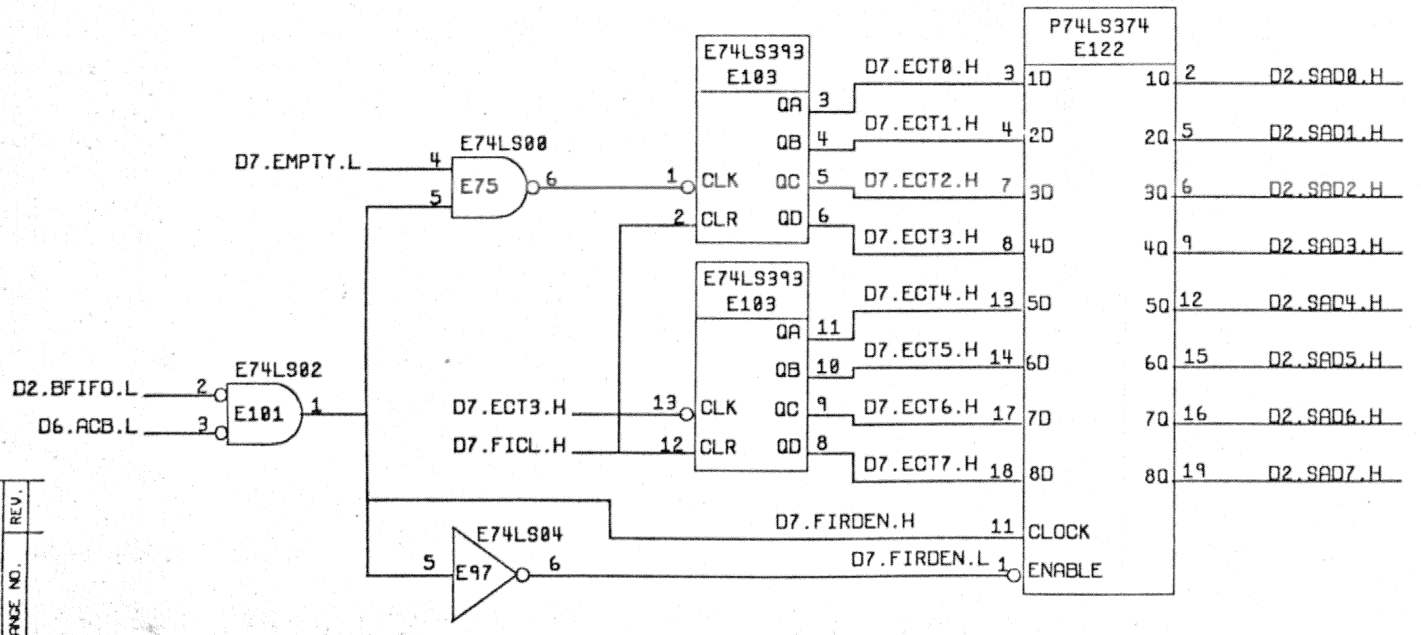
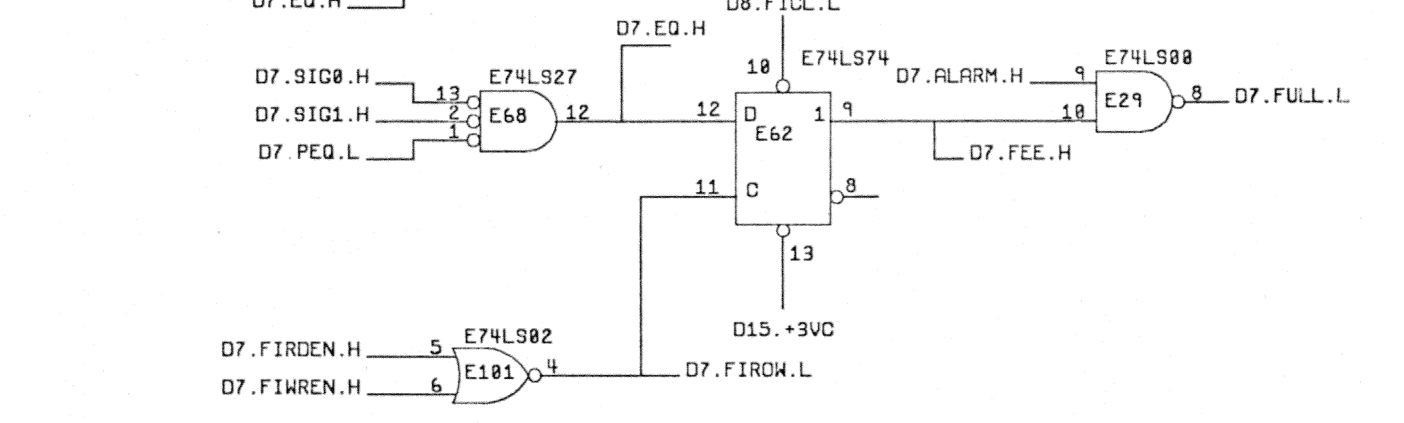
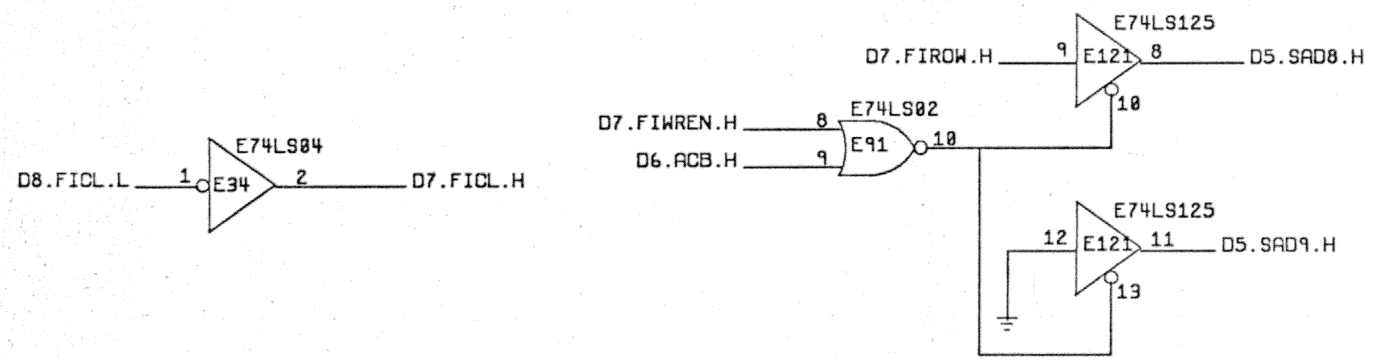
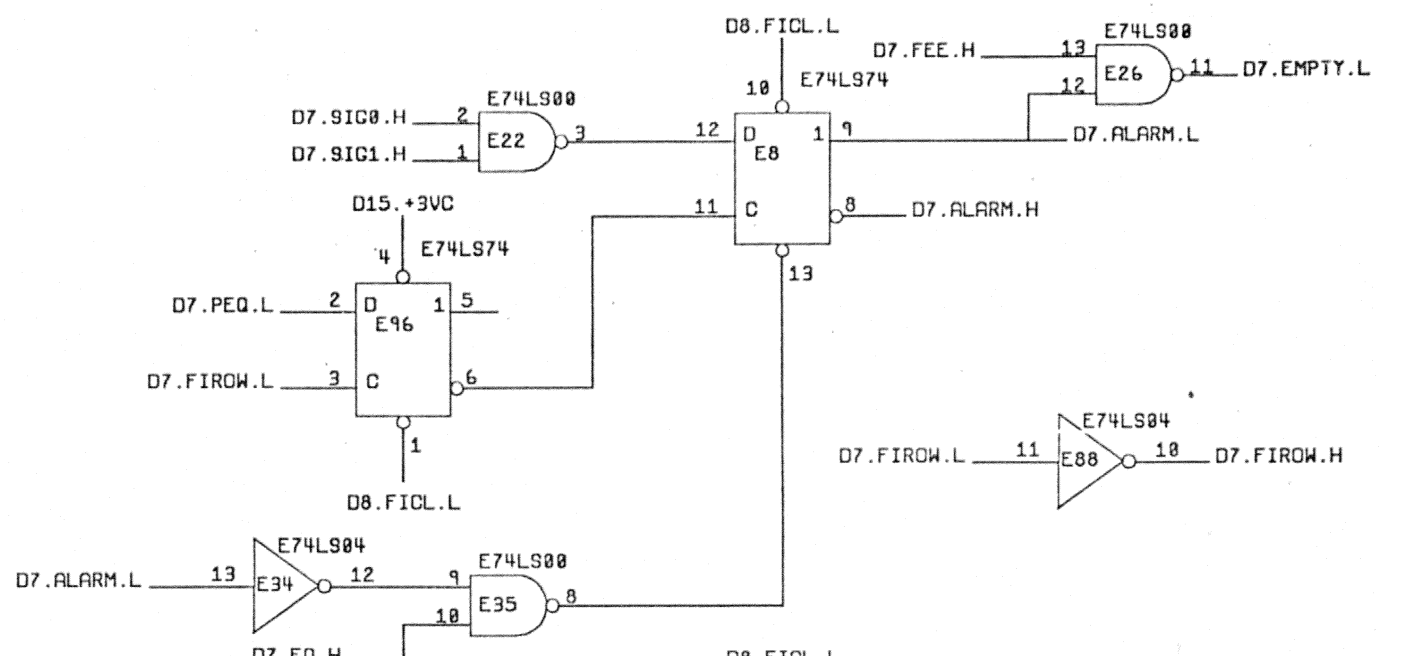
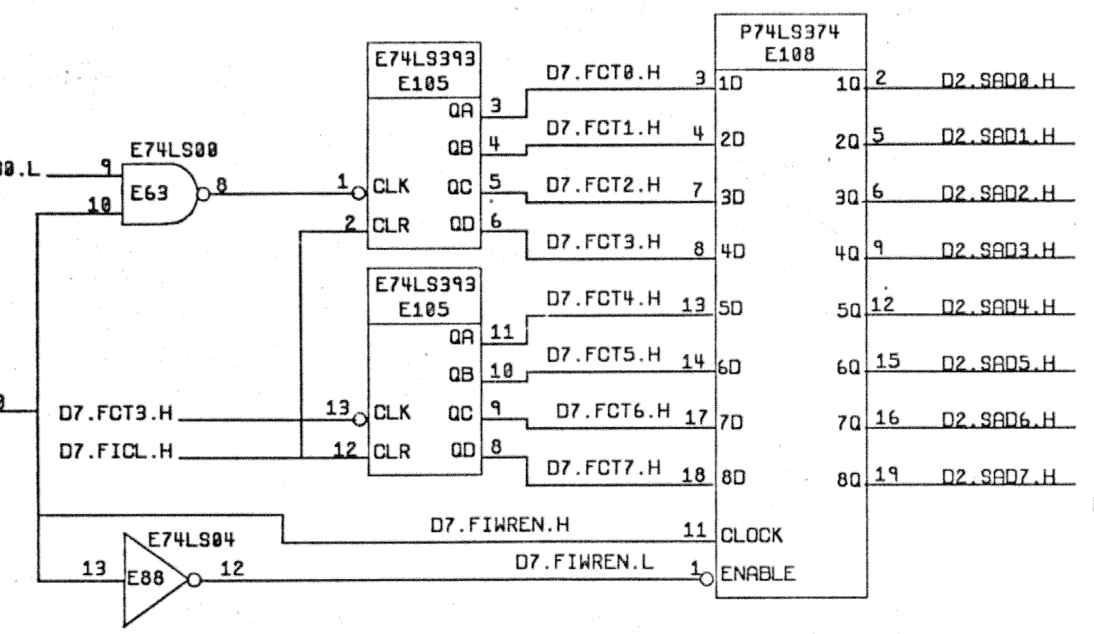
DRN	J. DUNN	DATE	9-2-84
CHKD.	P. DAMPIER	DATE	9/7/84
DES. ENG.	M. CHAMBERLAIN	DATE	9/2/84
RESP. ENG.	M. CHAMBERLAIN	DATE	9/2/84
MFG. ENG.	P. TOOMEY	DATE	9/2/84
TOP DOC NO.	B-DD-M3104-0-0	SIZE/CODE/NUMBER	D CS M3104-0-0 B

DOCUMENT NUMBER
 SHEET 86 OF 16

REV.	CHG.	NO.

THIS DRAWING AND SPECIFICATIONS, HEREIN, ARE THE PROPERTY OF DIGITAL EQUIPMENT CORPORATION AND SHALL NOT BE REPRODUCED OR COPIED OR USED IN WHOLE OR IN PART AS THE BASIS FOR THE MANUFACTURE OR SALE OF ITEMS WITHOUT WRITTEN PERMISSION.
 COPYRIGHT 1964 DIGITAL EQUIPMENT CORPORATION

D
C
B
A



REV.	CHANGE NO.	REVISIONS

D-7 FIFO CONTROL
 FILE NAME M3104CA00.COM

DRN J. DUNN	DATE 9-2-84	digital
CHKD P. DAMPIER	DATE 9/2/84	
DES. ENG. M. CHAMBERLAIN	DATE 9/2/84	DHV11 CIRCUIT SCHEMATIC
RESP. ENG. M. CHAMBERLAIN	DATE 9/2/84	
MFC. ENG. P. TOOMEY	DATE 9/2/84	DOCUMENT NUMBER
TOP DOC. NO. B-DD-M3104-0-0	SCALE	SIZE/CODE NUMBER D CS M3104-0-0B
		REV SHEET 07 OF 16

4 3 2 1

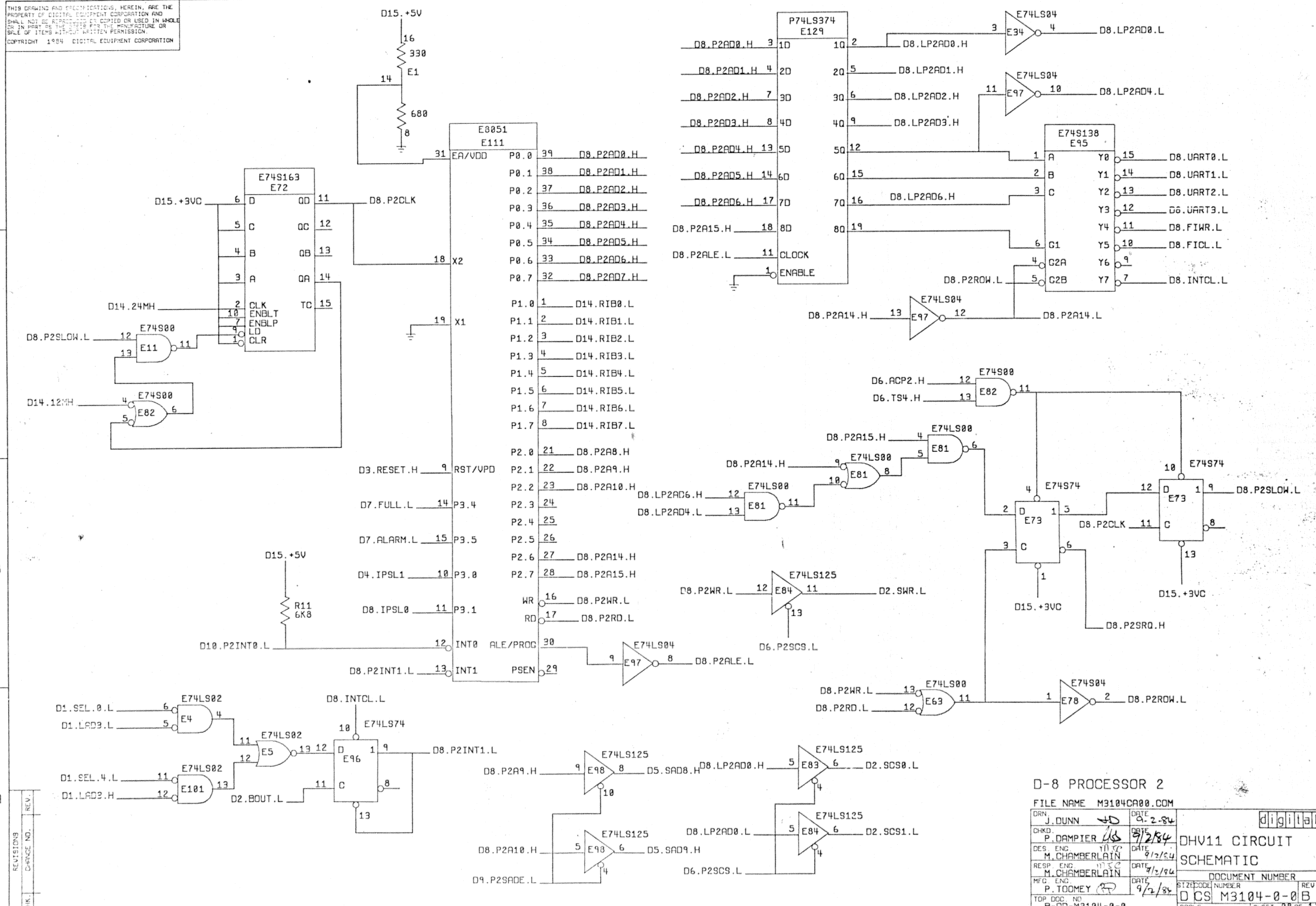
THIS DRAWING AND SPECIFICATIONS, HEREIN, ARE THE PROPERTY OF DIGITAL EQUIPMENT CORPORATION AND SHALL NOT BE REPRODUCED OR COPIED OR USED IN WHOLE OR IN PART AS THE BASIS FOR THE MANUFACTURE OR SALE OF ITEMS WITHOUT WRITTEN PERMISSION.
COPYRIGHT 1984 DIGITAL EQUIPMENT CORPORATION

D
C
B
A

3

2

1



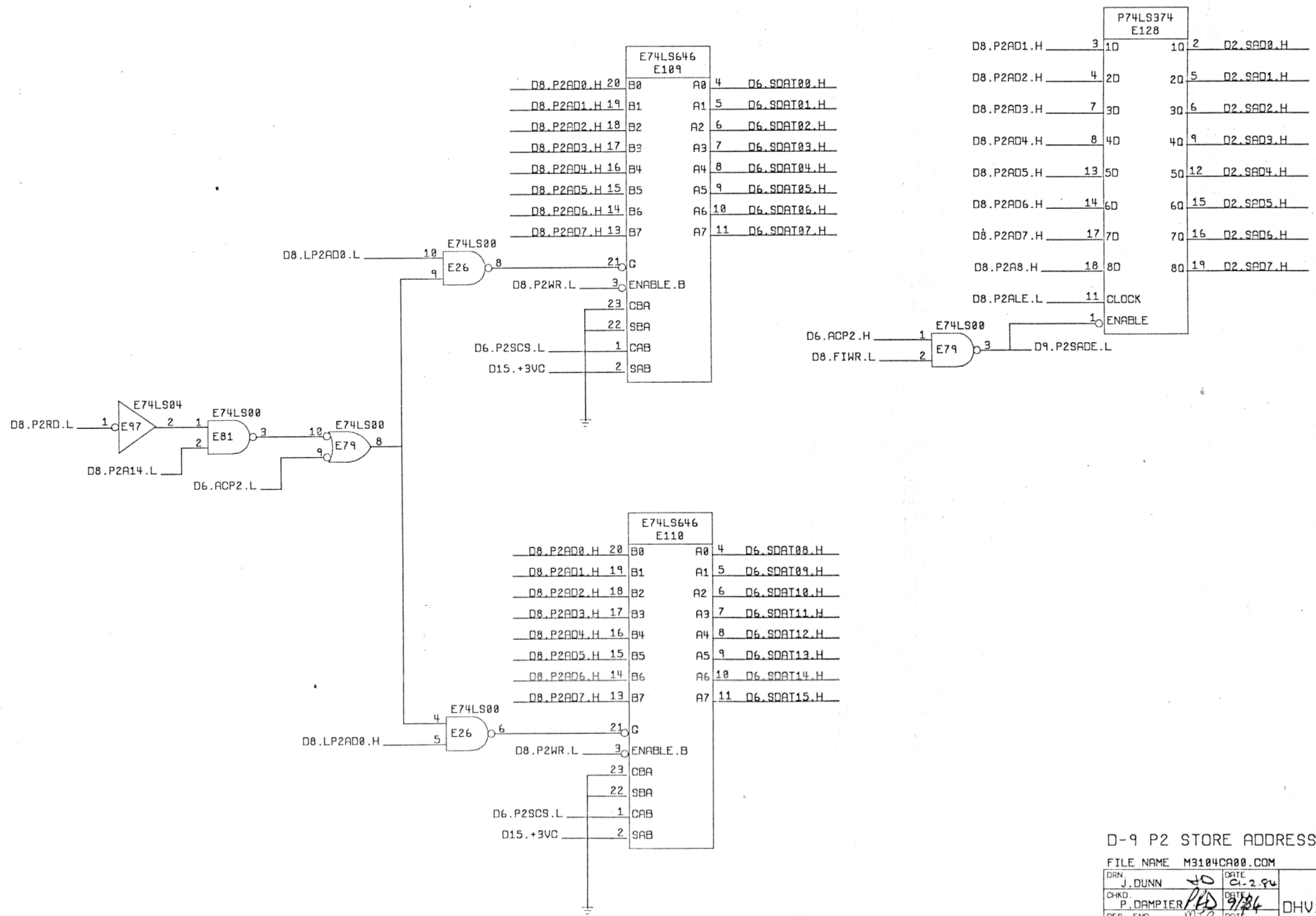
REV.	DATE	BY	CHKD.
1	9/2/84	J.DUNN	J.DUNN
2	9/2/84	P.DAMPIER	P.DAMPIER
3	9/2/84	M.CHAMBERLAIN	M.CHAMBERLAIN
4	9/2/84	M.CHAMBERLAIN	M.CHAMBERLAIN
5	9/2/84	P.TOOMEY	P.TOOMEY

D-8 PROCESSOR 2
FILE NAME M3104CA00.COM

DRN	J.DUNN	DATE	9-2-84
CHKD.	P.DAMPIER	DATE	9/2/84
DES. ENG.	M.CHAMBERLAIN	DATE	9/2/84
RESP. ENG.	M.CHAMBERLAIN	DATE	9/2/84
MFG. ENG.	P.TOOMEY	DATE	9/2/84
TOP DOC. NO.	B-DD-M3104-0-0	SIZE/CODE NUMBER	D CS M3104-0-0B
		SCALE	SHEET 08 OF 15

Digital
DHV11 CIRCUIT
SCHEMATIC
DOCUMENT NUMBER
REV

THIS DRAWING AND SPECIFICATIONS, HEREIN, ARE THE PROPERTY OF DIGITAL EQUIPMENT CORPORATION AND SHALL NOT BE REPRODUCED OR COPIED OR USED IN WHOLE OR IN PART AS THE BASIS FOR THE MANUFACTURE OR SALE OF ITEMS WITHOUT WRITTEN PERMISSION.
 COPYRIGHT 1984 DIGITAL EQUIPMENT CORPORATION



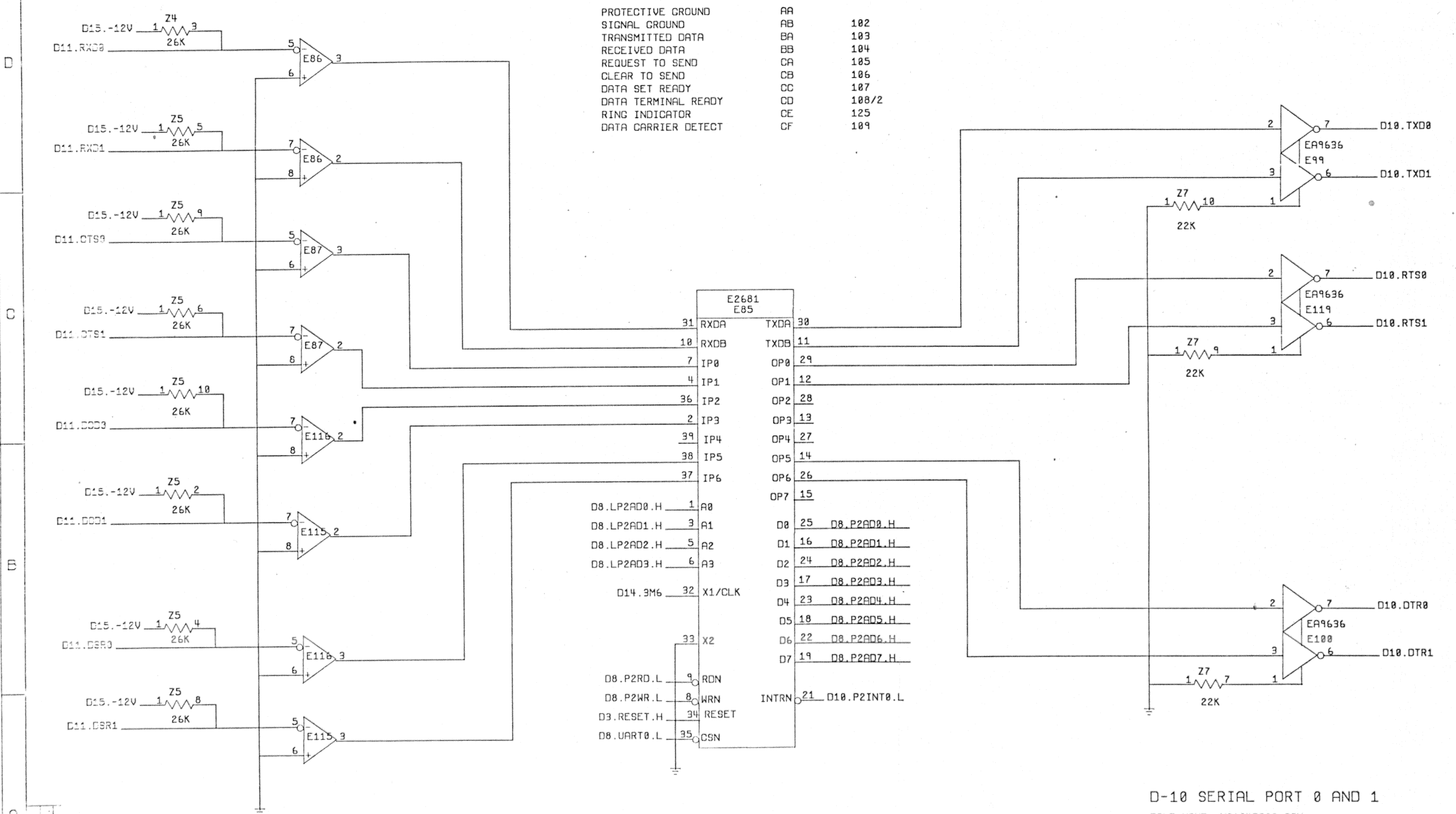
D-9 P2 STORE ADDRESS AND DATA

FILE NAME M3104CA00.COM		digital	
DRN. J. DUNN	DATE 9/2/84		
CHKD. P. DAMPIER	DATE 9/2/84	DHV11 CIRCUIT	
DES. ENG. M. CHAMBERLAIN	DATE 9/2/84	SCHEMATIC	
RESP. ENG. M. CHAMBERLAIN	DATE 9/2/84	DOCUMENT NUMBER	
MFG. ENG. P. TOOMEY	DATE 9/2/84	SIZE/BOX NUMBER	REV
TOP DOC. NO. B-DD-M3104-0-0		D CS M3104-0-0 B	
		SCALE	SHEET 09 OF 16

REV.	CHG.	NO.	DATE

THIS DRAWING AND SPECIFICATIONS, HEREIN, ARE THE PROPERTY OF DIGITAL EQUIPMENT CORPORATION AND SHALL NOT BE REPRODUCED OR COPIED OR USED IN WHOLE OR IN PART WITHOUT WRITTEN PERMISSION FROM THE MANUFACTURER OR SALE OF ITEMS WITHOUT WRITTEN PERMISSION.
 COPYRIGHT 1984 DIGITAL EQUIPMENT CORPORATION

SIGNAL NAME	RS-232-C	CCITT NO.
PROTECTIVE GROUND	AA	
SIGNAL GROUND	AB	102
TRANSMITTED DATA	BA	103
RECEIVED DATA	BB	104
REQUEST TO SEND	CA	105
CLEAR TO SEND	CB	106
DATA SET READY	CC	107
DATA TERMINAL READY	CD	108/2
RING INDICATOR	CE	125
DATA CARRIER DETECT	CF	109



D-10 SERIAL PORT 0 AND 1

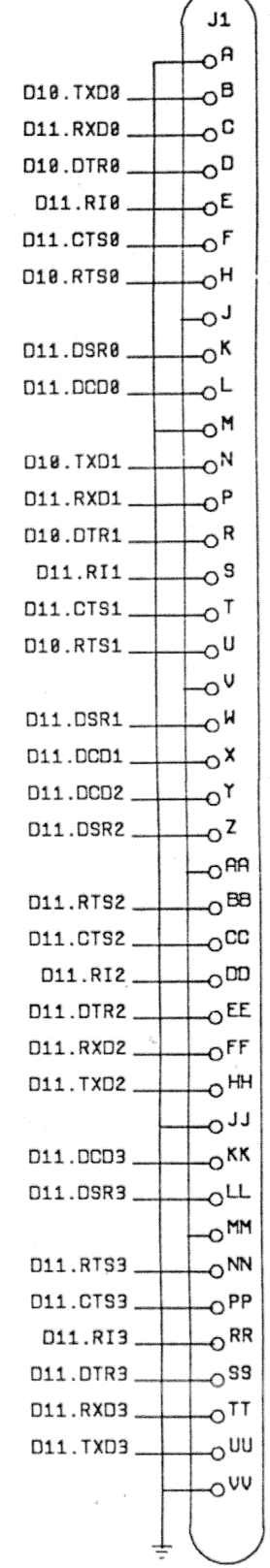
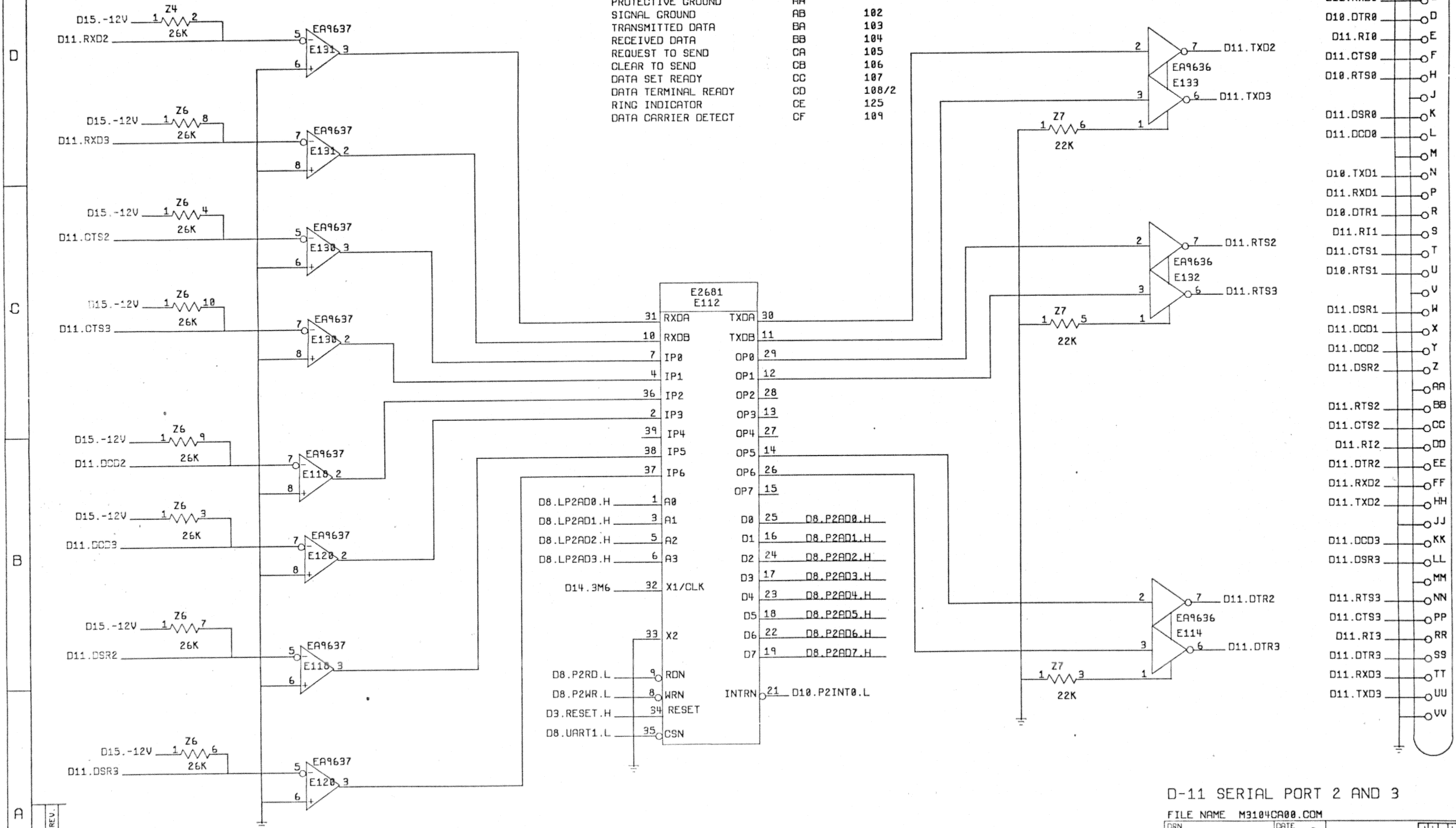
FILE NAME M3104CA00.COM

DRN J. DUNN	DATE 9-2-84	digital
CHKD P. DAMPIER	DATE 9/2/84	
DES. ENG M. CHAMBERLAIN	DATE 9/2/84	DHV11 CIRCUIT SCHEMATIC
RESP. ENG M. CHAMBERLAIN	DATE 9/2/84	
MFG. ENG P. TOOMEY	DATE 9/2/84	DOCUMENT NUMBER
TOP DOC. NO. B-DD-M3104-0-0	SIZE/CODE NUMBER D QS	NUMBER M3104-0-0B
	SCALE	REV SHEET 10 OF 16

REV.	DATE	BY

THIS DRAWING AND SPECIFICATIONS, HEREIN, ARE THE PROPERTY OF DIGITAL EQUIPMENT CORPORATION AND SHALL NOT BE REPRODUCED OR COPIED OR USED IN WHOLE OR IN PART AS THE BASIS FOR THE MANUFACTURE OR SALE OF ITEMS WITHOUT WRITTEN PERMISSION.
 COPYRIGHT 1984 DIGITAL EQUIPMENT CORPORATION

SIGNAL NAME	RS-232-C	CCITT NO.
PROTECTIVE GROUND	AA	
SIGNAL GROUND	AB	102
TRANSMITTED DATA	BA	103
RECEIVED DATA	BB	104
REQUEST TO SEND	CA	105
CLEAR TO SEND	CB	106
DATA SET READY	CC	107
DATA TERMINAL READY	CD	108/2
RING INDICATOR	CE	125
DATA CARRIER DETECT	CF	109



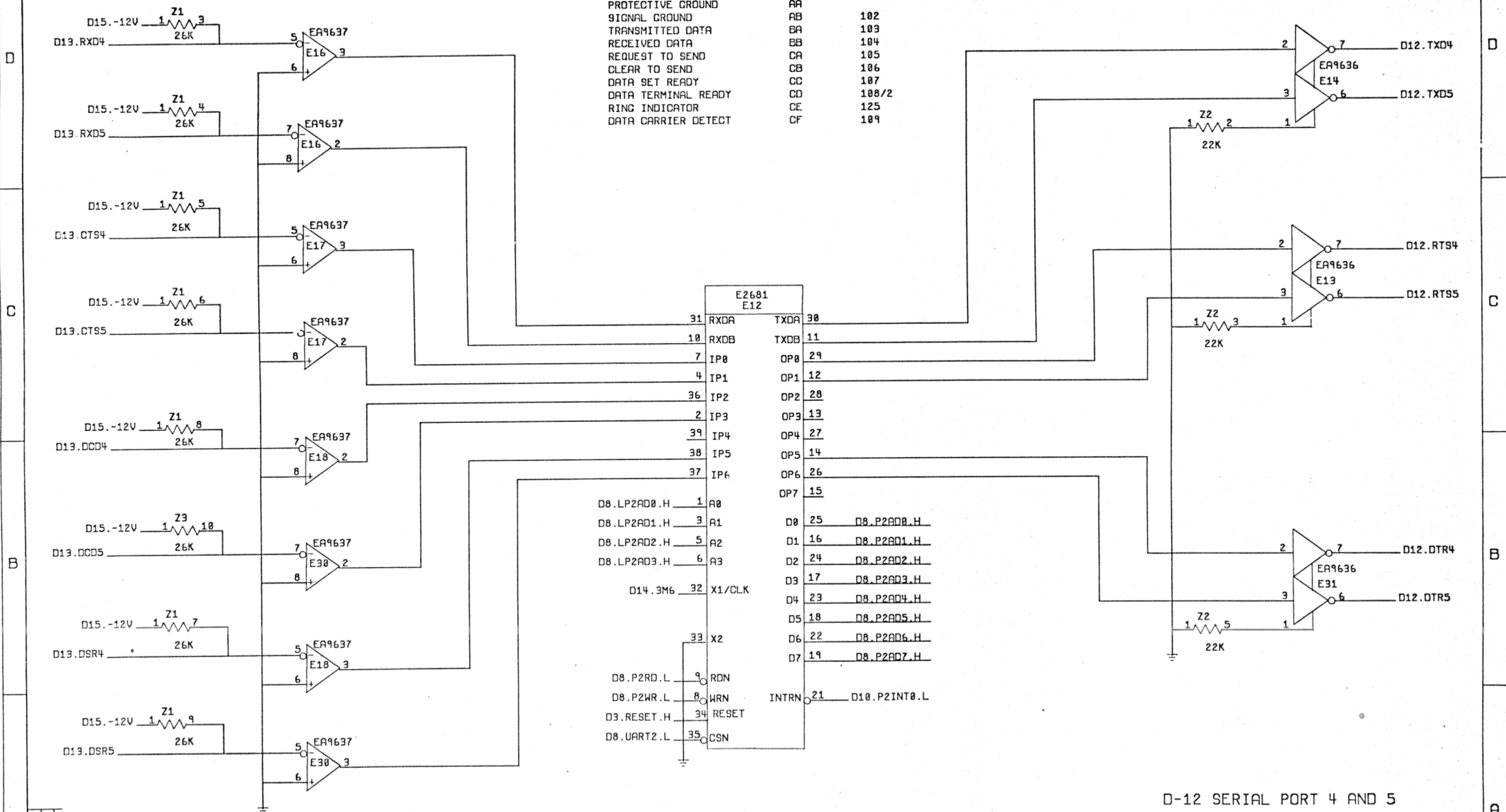
D-11 SERIAL PORT 2 AND 3
 FILE NAME M3104CA00.COM

DRN J. DUNN	DATE 9-2-84	digital
CHKD. P. DAMPIER	DATE 9/2/84	
DES. ENG. M. CHAMBERLAIN	DATE 9/2/84	DHV11 CIRCUIT SCHEMATIC
RESP. ENG. M. CHAMBERLAIN	DATE 9/2/84	
MFG. ENG. P. TOOMEY	DATE 9/2/84	DOCUMENT NUMBER D CS M3104-0-0B
TOP DOC. NO. B-DD-M3104-0-0	SCALE	REV SHEET 11 OF 16

REV.	CHANGE NO.

THIS DRAWING AND SPECIFICATIONS, HEREIN, ARE THE PROPERTY OF DIGITAL EQUIPMENT CORPORATION AND SHALL NOT BE REPRODUCED OR COPIED OR USED IN WHOLE OR IN PART AS THE BASIS FOR THE MANUFACTURE OR SALE OF ITEMS WITHOUT WRITTEN PERMISSION.
 COPYRIGHT 1984 DIGITAL EQUIPMENT CORPORATION

SIGNAL NAME	RS-232-C	CCITT NO.
PROTECTIVE GROUND	AA	
SIGNAL GROUND	AB	102
TRANSMITTED DATA	BA	103
RECEIVED DATA	BB	104
REQUEST TO SEND	CA	105
CLEAR TO SEND	CB	106
DATA SET READY	CC	107
DATA TERMINAL READY	CD	108/2
RING INDICATOR	CE	125
DATA CARRIER DETECT	CF	109



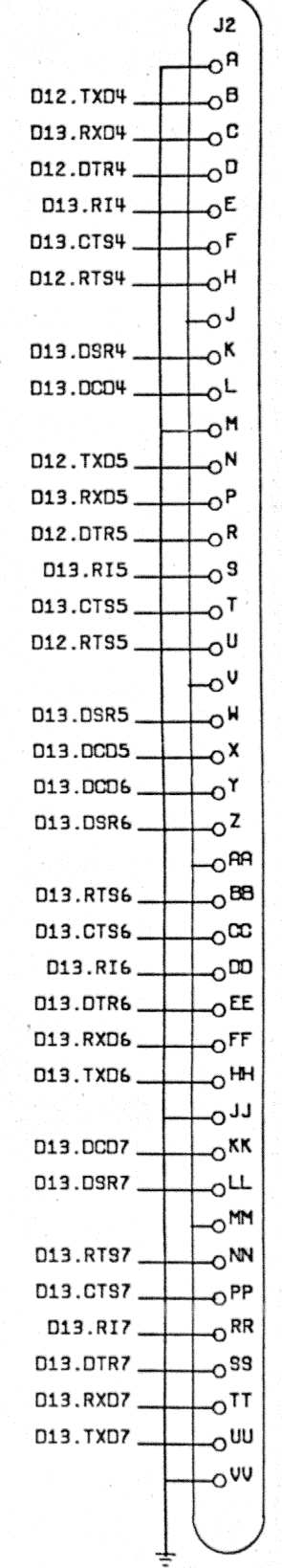
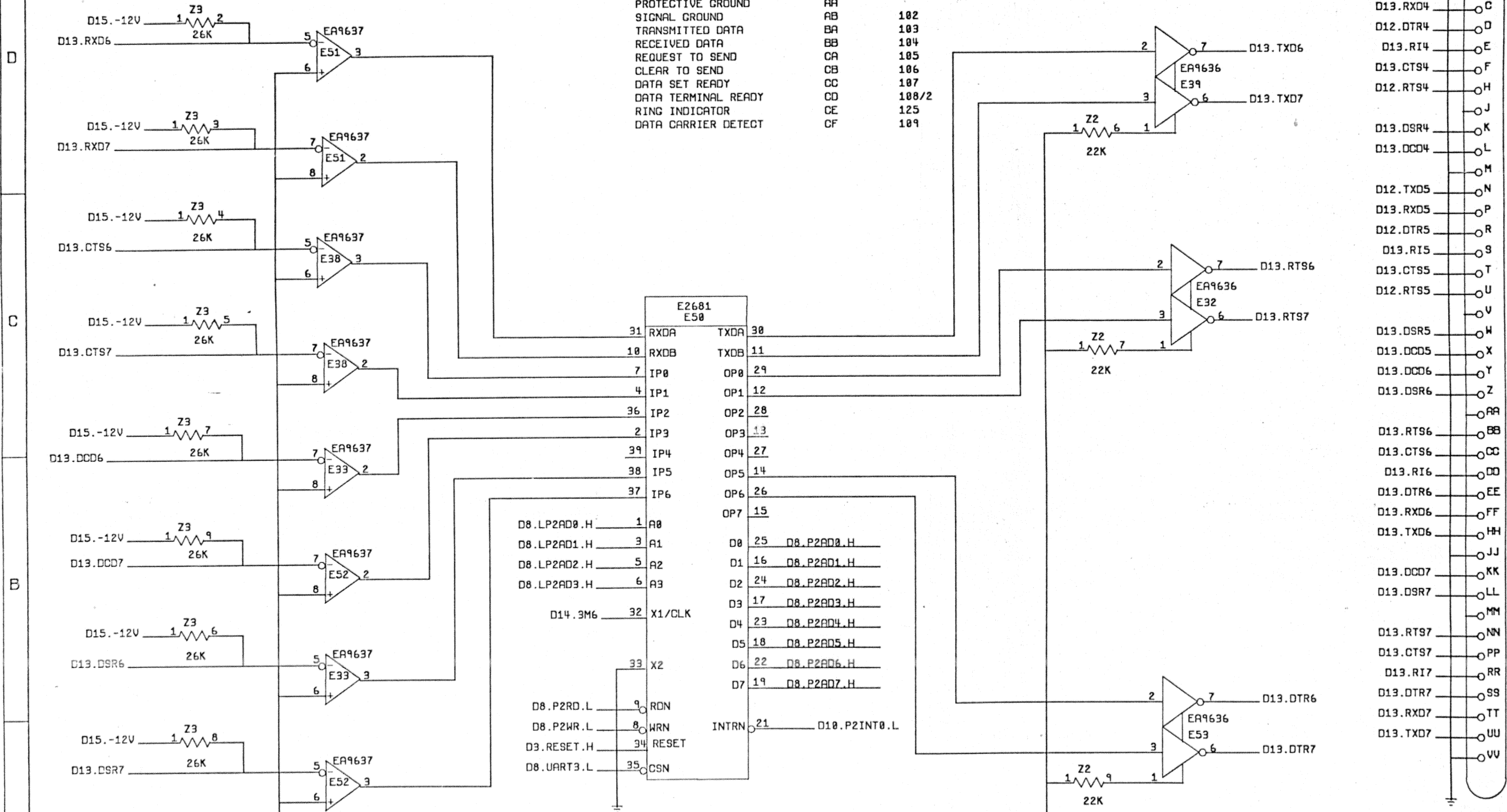
D-12 SERIAL PORT 4 AND 5

FILE NAME M3104CA00.COM		digital	
DRN J. DUNN	DATE 9-2-84		
CHKD. P. DAMPIER	DATE 9/2/84	DHV11 CIRCUIT	
DES. ENG. M. CHAMBERLAIN	DATE 9/2/84	SCHEMATIC	
RESP. ENG. M. CHAMBERLAIN	DATE 9/2/84	DOCUMENT NUMBER	
MFG. ENG. P. TOOMEY	DATE 9/2/84	SIZE/CODE NUMBER	
TOP DOC NO. B-DD-M3104-0-0		D CS	M3104-0-0 B
		SCALE	SHEET 12 OF 16

REV.	CHG.	NO.

THIS DRAWING AND SPECIFICATIONS, HEREIN, ARE THE PROPERTY OF DIGITAL EQUIPMENT CORPORATION AND SHALL NOT BE REPRODUCED OR COPIED OR USED IN WHOLE OR IN PART AS THE BASIS FOR THE MANUFACTURE OR SALE OF ITEMS WITHOUT WRITTEN PERMISSION.
 COPYRIGHT 1984 DIGITAL EQUIPMENT CORPORATION

SIGNAL NAME	RS-232-C	CCITT NO.
PROTECTIVE GROUND	AA	
SIGNAL GROUND	AB	102
TRANSMITTED DATA	BA	103
RECEIVED DATA	BB	104
REQUEST TO SEND	CA	105
CLEAR TO SEND	CB	106
DATA SET READY	CC	107
DATA TERMINAL READY	CD	108/2
RING INDICATOR	CE	125
DATA CARRIER DETECT	CF	109

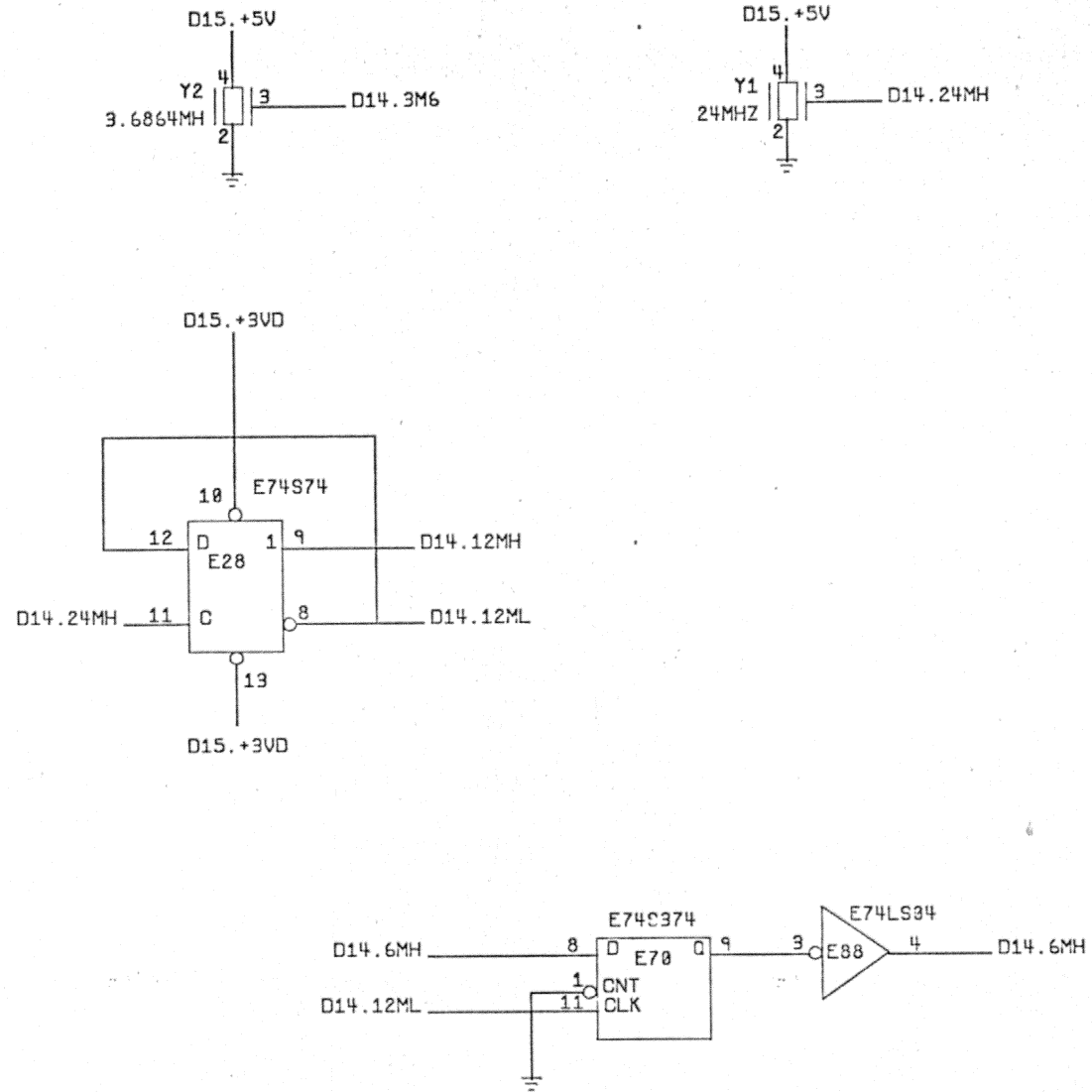
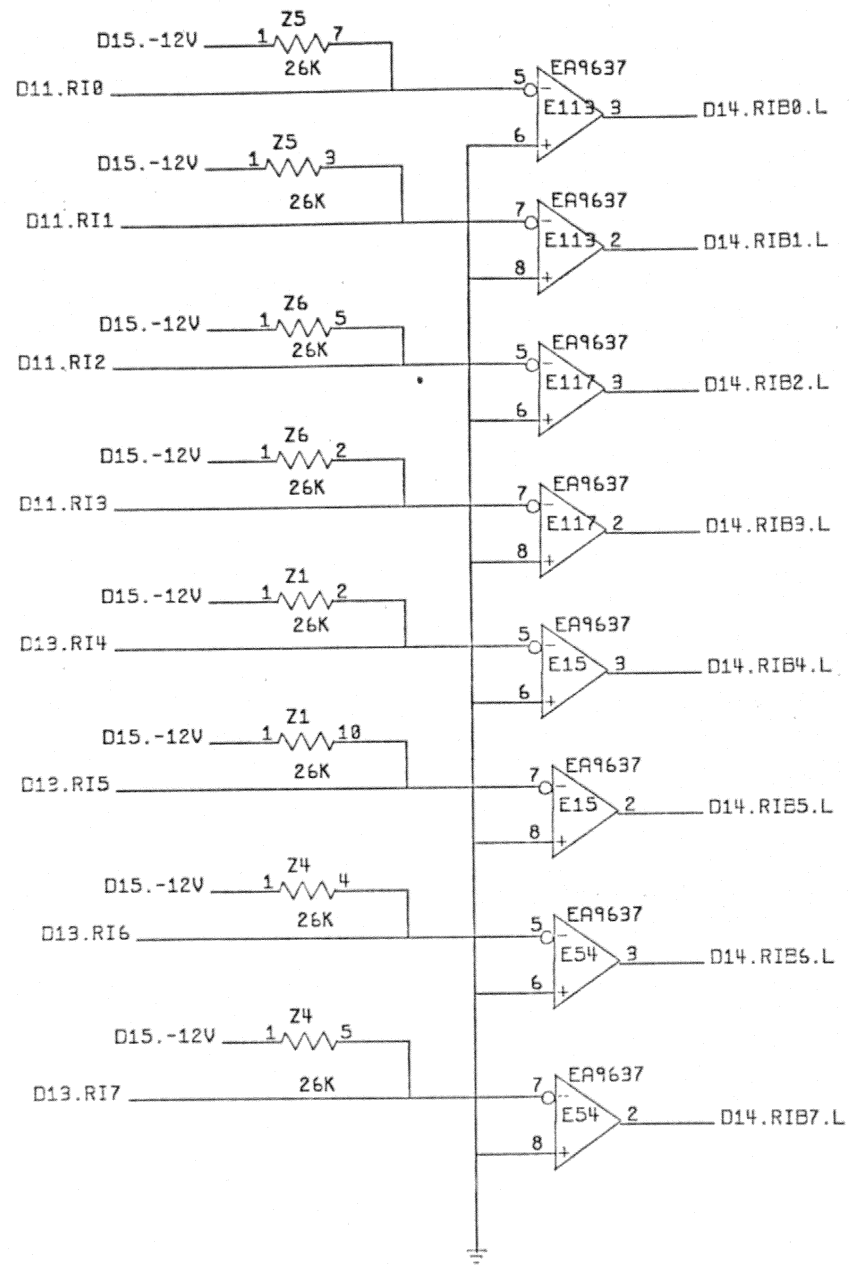


D-13 SERIAL PORT 6 AND 7

FILE NAME M3104CA00.COM		digital	
DRN. J. DUNN	DATE 9-2-84	DHV11 CIRCUIT SCHEMATIC	
CHKD. P. DAMPIER	DATE 9/2/84		
DES. ENG. M. CHAMBERLAIN	DATE 9/2/84		
RESP. ENG. M. CHAMBERLAIN	DATE 9/2/84		
MFG. ENG. P. TOOMEY	DATE 9/2/84		
TOP DOC. NO. B-DD-M3104-0-0	SCALE	DOCUMENT NUMBER	REV
		D CS M3104-0-0 B	
			SHEET 13 OF 16

REV.	CHG. NO.	CHK.

THIS DRAWING AND SPECIFICATIONS, HEREIN, ARE THE PROPERTY OF DIGITAL EQUIPMENT CORPORATION AND SHALL NOT BE REPRODUCED, COPIED OR USED IN WHOLE OR IN PART AS THE BASIS FOR THE MANUFACTURE OR SALE OF ITEMS WITHOUT WRITTEN PERMISSION.
 COPYRIGHT 1984 DIGITAL EQUIPMENT CORPORATION



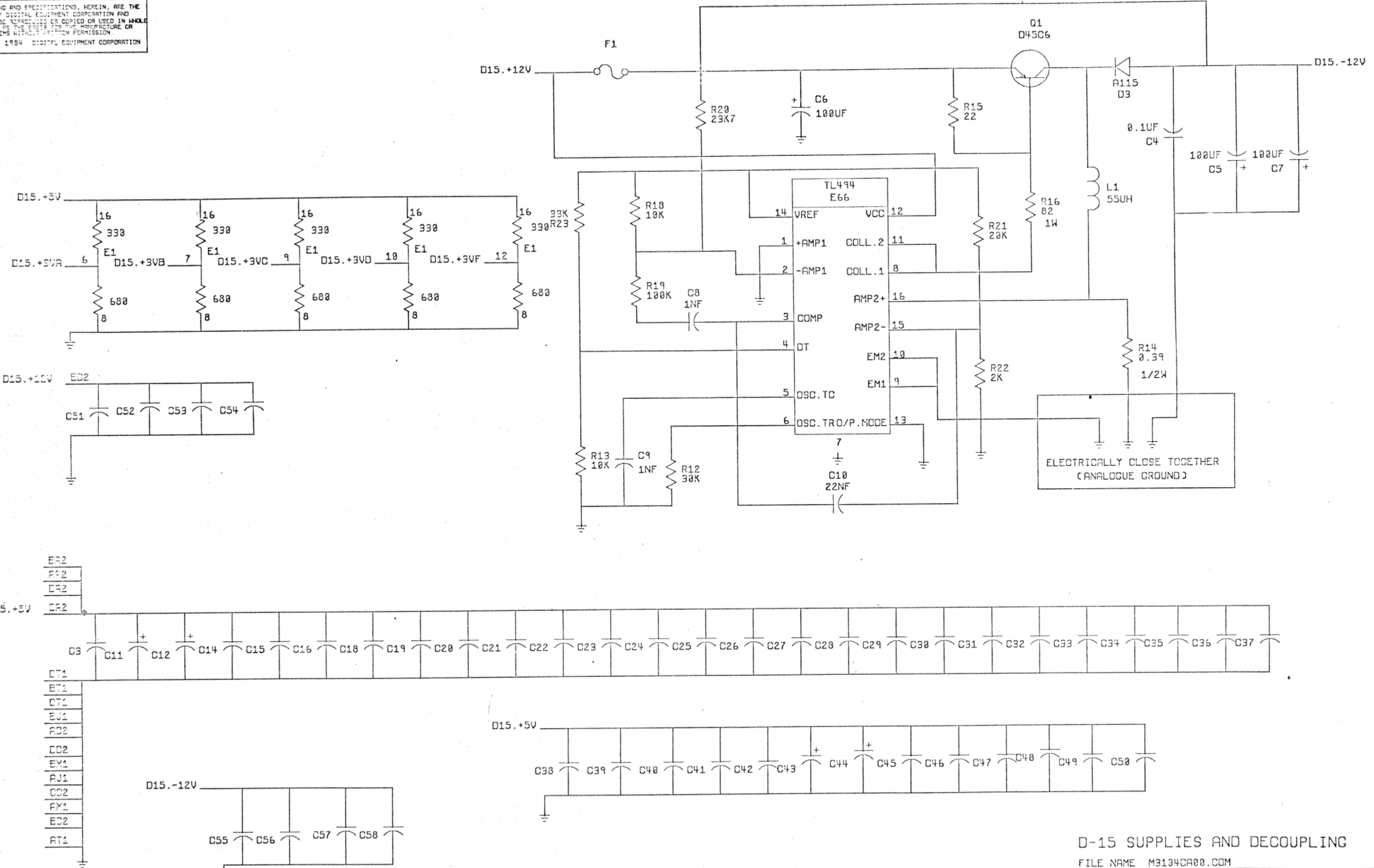
D-14 CLOCKS AND RING INDICATORS

FILE NAME M3104CA00.COM

DRN.	J. DUNN	DATE	9.2.84	digital
CHKD.	P. DAMPIER	DATE	9/2/84	
DES. ENG.	M. CHAMBERLAIN	DATE	9/2/84	DHV11 CIRCUIT SCHEMATIC
RESP. ENG.	M. CHAMBERLAIN	DATE	9/2/84	
MFC. ENG.	P. TOOMEY	DATE	9/2/84	DOCUMENT NUMBER
TOP DOC. NO.	B-DD-M3104-0-0	SCALE		REV
				D CS M3104-0-0 B
				SHEET 14 OF 15

REVISIONS	CHK.	CHANGE NO.	REV.

THIS DRAWING AND SPECIFICATIONS, HEREIN, ARE THE PROPERTY OF DIGITAL EQUIPMENT CORPORATION AND SHALL NOT BE REPRODUCED OR COPIED OR USED IN WHOLE OR IN PART AS THE BASIS FOR THE MANUFACTURE OR SALE OF ITEMS WITHOUT WRITTEN PERMISSION.
 COPYRIGHT 1984 DIGITAL EQUIPMENT CORPORATION



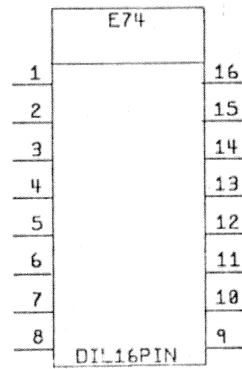
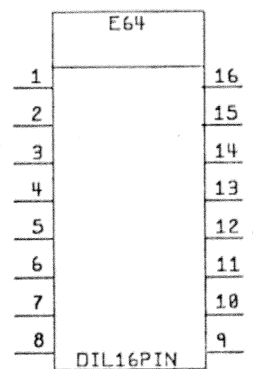
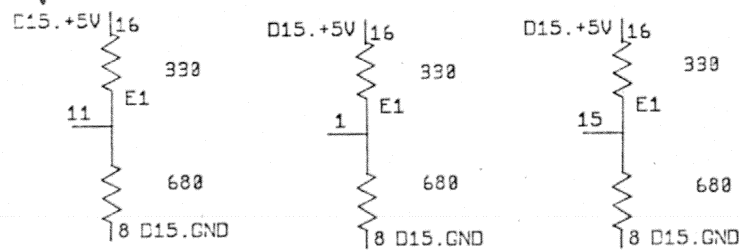
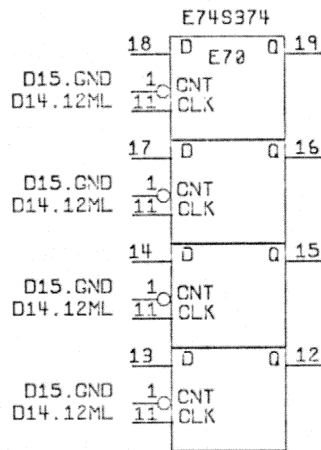
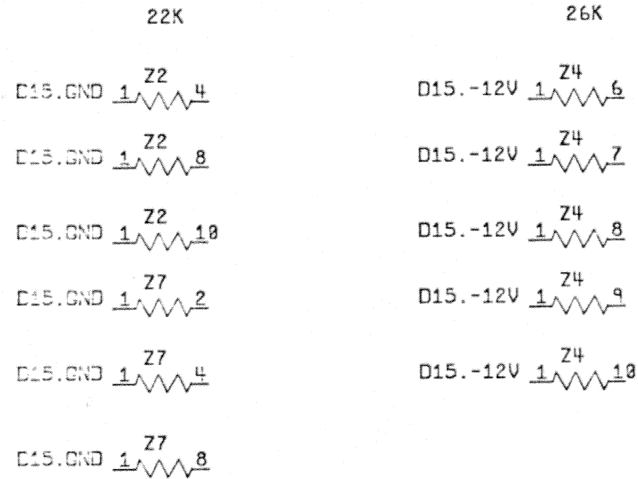
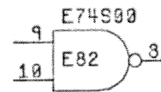
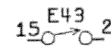
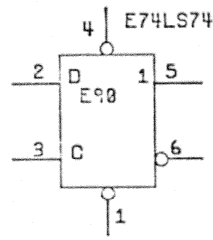
- ER2
- FR2
- DR2
- CR2
- DT1
- BT1
- CT1
- EJ1
- RD2
- DD2
- EM1
- RJ1
- CD2
- FY1
- ED2
- AT1

D-15 SUPPLIES AND DECOUPLING

FILE NAME M3104CA00.COM		digital	
DRN J. DUNN	DATE 9-2-84	DHV11 CIRCUIT SCHEMATIC	
CHKD. P. DAMPIER	DATE 9/2/84		
DES. ENG. M. CHAMBERLAIN	DATE 9/2/84		
RESP. ENG. M. CHAMBERLAIN	DATE 9/2/84		
MFG. ENG. P. TOOMEY	DATE 9/1/84		
TOP OCC. NO. B-DD-M3104-0-0	SCALE	DOCUMENT NUMBER DCS M3104-0-08	REV SHEET 13 OF 16

REV.	CHG.	DATE

THIS DRAWING AND SPECIFICATIONS, HEREIN, ARE THE PROPERTY OF DIGITAL EQUIPMENT CORPORATION AND SHALL NOT BE REPRODUCED OR USED IN WHOLE OR IN PART FOR ANY OTHER MANUFACTURE OR SALE OF ITEMS WITHOUT WRITTEN PERMISSION.
 COPYRIGHT 1984 DIGITAL EQUIPMENT CORPORATION



DEVICE	+5V	0V	+12V	-12V
74S00	14	7		
74LS00	14	7		
74LS02	14	7		
74S04	14	7		
74LS04	14	7		
74LS10	14	7		
74LS14	14	7		
74LS27	14	7		
74S74	14	7		
74LS74	14	7		
74LS125	14	7		
74S138	16	8		
74S139	16	8		
74S153	16	8		
74S163	16	8		
74S175	16	8		
74LS244	20	10		
74S283	16	8		
74S374	20	10		
74LS374	20	10		
74LS393	14	7		
74LS646	24	12		
74ALS573	20	10		
TL494		7	13	
2114	18	9		
2681	40	20		
8051	40	20		
8641	16	8		
9637	1	4		
9636		4	8	5
DC003	18	9		
DC004	20	10		
DC005	20	10		
DC010	20	10		

D-16 SPARES AND POWER

FILE NAME M3104C080.COM

DRN J. DUNN	DATE 9-2-84	
CHKD. P. DAMPIER	DATE 9/2/84	
DES. ENG. M. CHAMBERLAIN	DATE 9/2/84	
RESP. ENG. M. CHAMBERLAIN	DATE 9/2/84	
MFC. ENG. P. TOOMEY	DATE 9/2/84	
TOP DOC NO. B-CD-M3104-0-0	SIZE/CODE NUMBER DCS M3104-0-0B	REV B
SCALE		SHEET 16 OF 16

REVISIONS
 REV. NO. DATE BY

DRAWING NO.	NO. OF SHTS	PART NO.	DESCRIPTION	REVISIONS															
		5015587-01	ETCHED CIRCUIT BOARD	A1															
D-MD-5015587-0-0	3		CIRCUIT DRILL & ETCH DRAWING	A															
D-EC-5015587-0-0	2		ETCH CUT DRAWING	A															

NOTES:

REVISION HISTORY

DATE	ECO NO.	REV.																	
------	---------	------	--	--	--	--	--	--	--	--	--	--	--	--	--	--	--	--	--

THIS DRAWING AND THE SPECIFICATIONS CONTAINED HEREIN ARE CONFIDENTIAL AND PROPRIETARY. THEY ARE THE PROPERTY OF DIGITAL EQUIPMENT CORPORATION AND SHALL NOT BE REPRODUCED OR COPIED OR USED IN WHOLE OR IN PART AS THE BASIS FOR THE MANUFACTURE OR SALE OF ITEMS WITHOUT WRITTEN PERMISSION. THIS IS AN UNPUBLISHED WORK PROTECTED UNDER THE FEDERAL COPYRIGHT LAWS.

1983



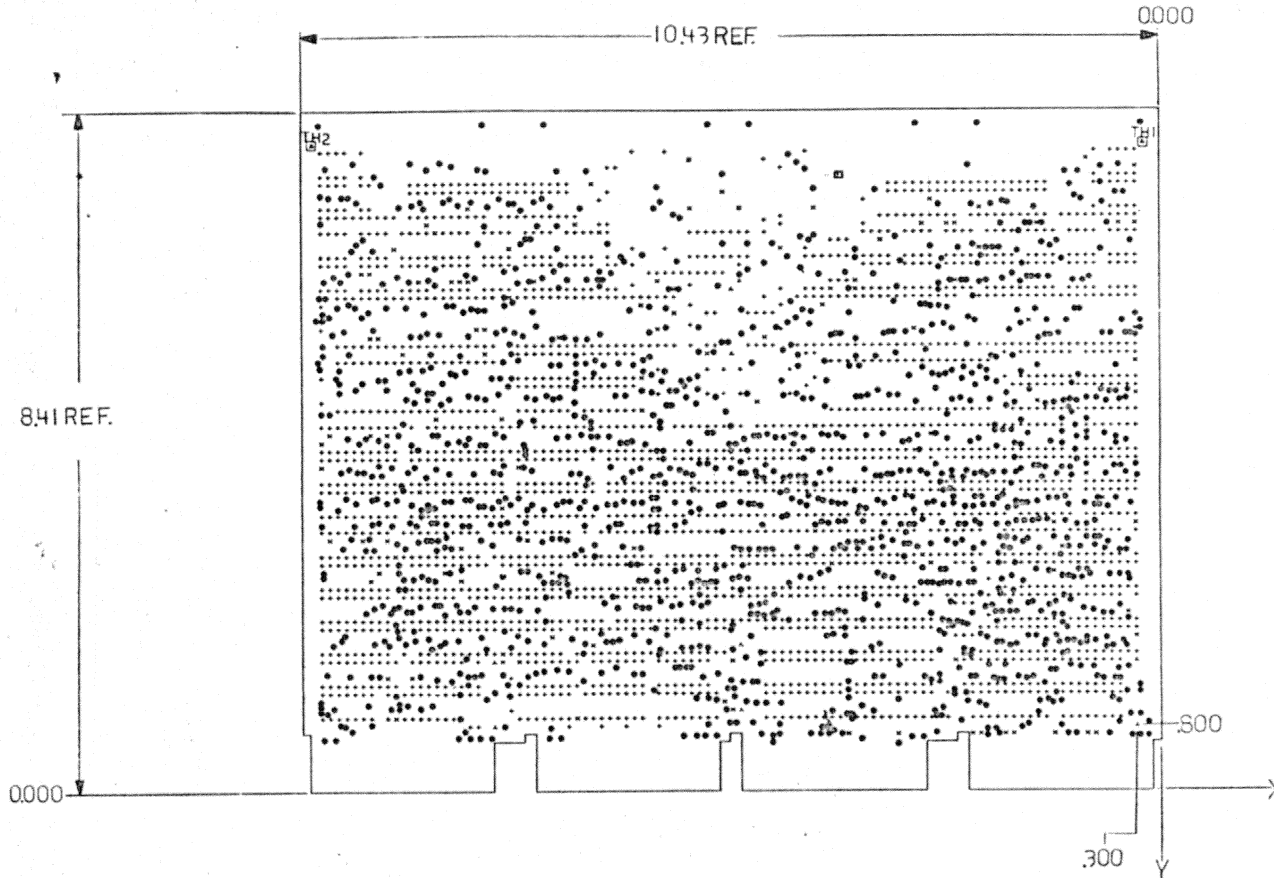
DRN. RONALD RHOADES	DATE 6/28/83	TITLE
CHK'D <i>[Signature]</i>	DATE 1 JUL 83	ETCHED CIRCUIT BOARD
DES. ENG. <i>BS Good</i>	DATE 1 JUL 83	DOCUMENT NUMBER
RESP. ENG. <i>BS Good</i>	DATE 1 JUL 83	SIZE B CODE DD NUMBER 5015587-0-0 REV. A
MFG. ENG. <i>BS Good</i>	DATE 1 JUL 83	SHEET 1 OF 1

THIS DRAWING AND THE IDENTIFICATION CONTAINED HEREIN ARE CONFIDENTIAL AND PROPRIETARY. THEY ARE THE PROPERTY OF DIGITAL EQUIPMENT CORPORATION AND SHALL NOT BE REPRODUCED OR COPIED OR USED IN WHOLE OR IN PART AS THE BASIS FOR THE MANUFACTURE OR SALE OF ITEMS WITHOUT WRITTEN PERMISSION. THIS IS AN UNPUBLISHED WORK PROTECTED UNDER THE FEDERAL COPYRIGHT LAW.
 COPYRIGHT © 1983 DIGITAL EQUIPMENT CORPORATION

VIEWED FROM SIDE 1
 COMPONENT SIDE

SEE NOTE 2

PAD NO.	X	Y
1	2.960	2.640
2	2.960	2.920
3	2.960	3.000
4	3.080	2.640
5	3.120	2.920
6	6.900	8.560
7	6.900	9.140
8	7.000	9.380
9	7.060	8.540
10	7.100	6.940
11	7.100	9.460
12	7.120	6.600
13	7.280	6.580
14	7.300	6.760
15	7.600	3.040
16	7.660	6.980
17	7.720	6.600
18	7.740	2.800
19	7.740	3.340
20	7.780	3.040
21	7.780	7.340
22	7.780	7.640
23	7.880	2.860
24	7.880	2.960
25	7.920	3.060
26	7.940	7.240
27	7.960	2.960
28	8.020	7.240
29	8.100	6.560
30	8.320	6.660
31	8.320	6.820
32	8.340	6.480
33	8.420	6.780
34	8.460	6.560
35	8.480	6.700
36	8.520	6.760
37	8.520	8.780
38	8.580	6.640
39	8.600	8.820
40	8.640	6.460
41	8.660	6.640
42	8.700	6.460
43	8.720	6.880
44	8.760	6.760
45	8.760	8.980
46	8.800	9.160
47	8.840	8.900
48	8.880	6.620
49	8.880	6.840
50	8.900	7.060
51	10.700	3.140
52	10.800	2.920
53	10.900	2.840
54	6.900	8.900
55	7.600	6.500



FOR HOLE TOLERANCES USE DEC STD 176										
SYMBOL	+	-	X	+	Z	H	A	Q	φ	X
FIN HOLE SIZE	0.38	0.42	0.25	0.62	0.47	1.33	1.52	1.32		
PLATED	X	X	X	X	X			X		
NON PLATED						X	X			
QTY.	2403	8	1465	2	2	8	2	1		
○=OFF GRD HOLE	10	0	1334	0	0	8	0	0		
DRILL SIZE										
NOTE:	ALL HOLE LOCATIONS ARE DESIGNED ON .025 GRID INCREMENTS FROM DATUM UNLESS SYMBOL IS CIRCLED.									

DESIGN INFORMATION	
CIRCUIT SIZE: X 10.43 Y 8.41 INCHES	
CIRCUIT TYPE: PPEC PTH ML	
CIRCUIT: HD15X150	
TECHNOLOGY: SD() HD12X13() H20() OTHER()	
UL REQUIREMENTS: LPWR() HPWR()	
CIRCUIT OUTLINE & FINGER DETAIL Q=MD-ELEN.01:2:000 AS SHOWN()	
LAYER CONSTRUCTION PER Q=MD-ELEN.30:3:0 AS SHOWN()	
ARTWORK LAYOUT: MANUAL() CAD() SCI()	
ENG SPECIAL FEATURES:	
SPECIAL NOTES: 1. PAD EXPANSION REQUIRED ON THIS BOARD	
COMPONENT PADS WITH NO PAD EXPANSION ARE PERMITTED	
WHERE .010 MIN SPACE CHECK REQUIREMENT WILL NOT BE MET	

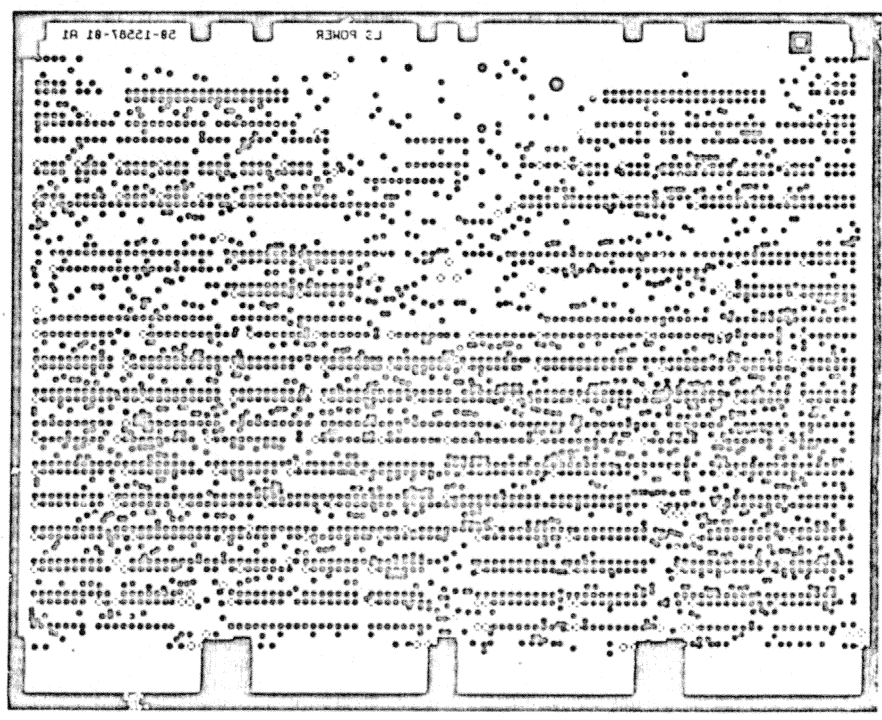
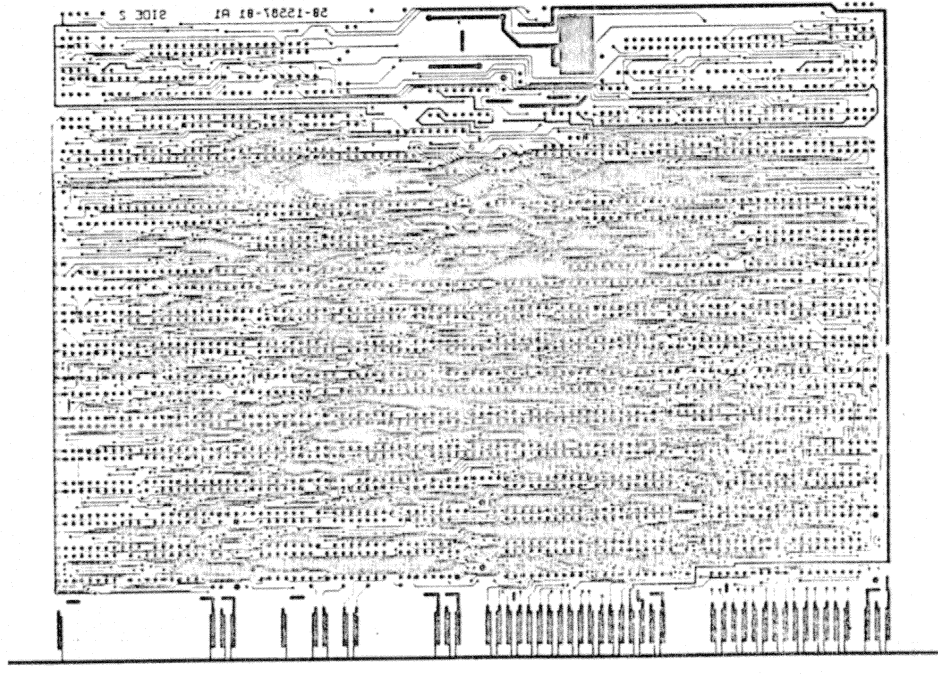
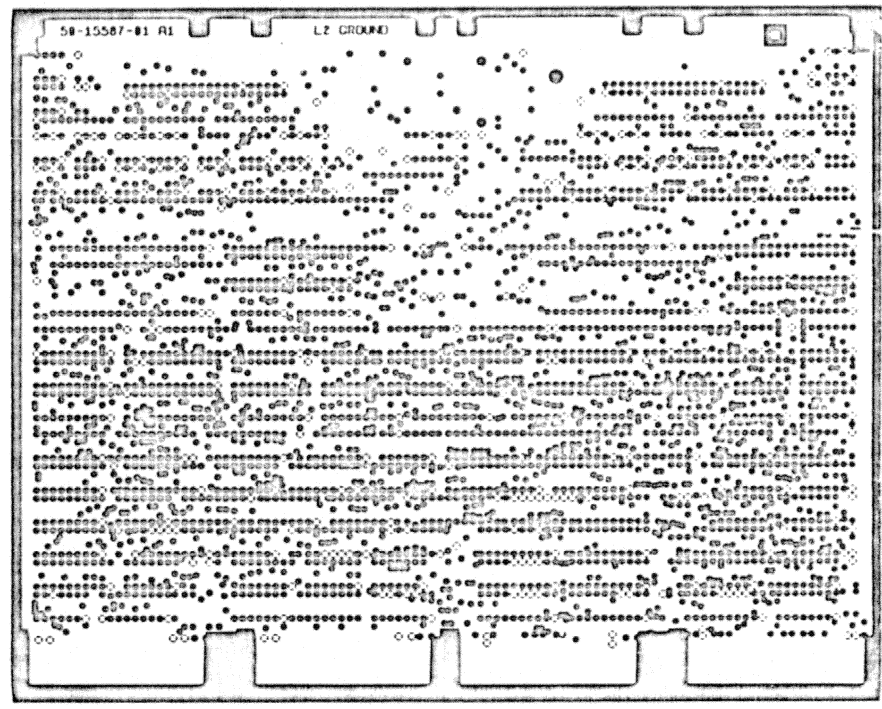
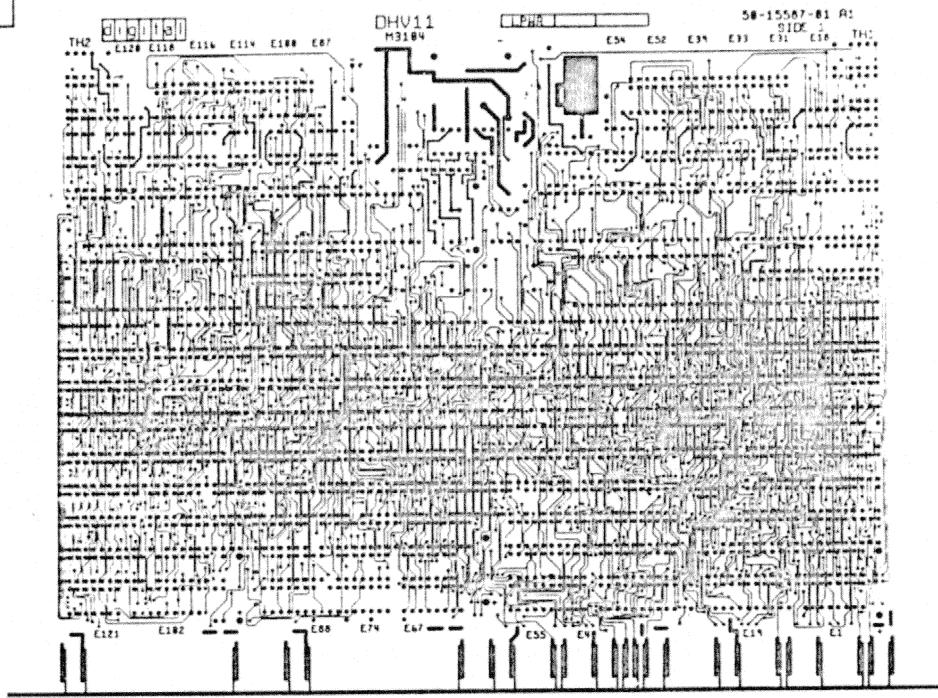
FABRICATION INFORMATION	
FABRICATE BOARD PER D-MD-ELMEL53:0:0 AS SHOWN()	
SOLDER MASK, SIDE 1Q SIDE 2Q NONE()	
SPECIFICATIONS AND STANDARDS:	
MATERIALS AND WORKMANSHIP FOR ALL FABRICATED PRINTED WIRING	
BOARDS MUST MEET OR EXCEED THE REQUIREMENTS OF DEC STD 176	
SPECIAL NOTES:	
1. SOLDERMASK DRY FILM BOTH SIDES	
.062 SOLDERMASK PAD FOR .038 PTH	
.050 SOLDERMASK PAD FOR .025 PTH	
2. REDUCE SOLDERMASK PADS TO .030 PAD SIZE AT THESE LOCATIONS	
REFERENCED TO H MASTER SIDES 1 AND 2	

TOLERANCES	
INCHES UNLESS SPECIFIED	
.XXX ± .010	ANGLES
.XX ± .020	±8 DEG 30 MIN
.X ± .100	
SIGNATURES	DATE
DRN: <i>Donald P. ...</i>	6/1/83
CHK'D: <i>Ken ...</i>	6/2/83
MECH ENG: <i>...</i>	6/2/83
PROJ ENG: <i>...</i>	6/2/83
MFG ENG: <i>...</i>	7/1/83
SCALE: 1:1	
SHEET 1 OF 3	
TOP DOCUMENT NO: 8-DD-501587-0-0	

digital
 TITLE: CIRCUIT DRILL AND ETCH DRAWING
 SIZE CODE NUMBER REV
 D MD 501587-0-0 A
 ETCH REV: A1

DIGITAL 501587-0-0 A

"THIS DRAWING AND SPECIFICATIONS HEREIN ARE THE PROPERTY OF DIGITAL EQUIPMENT CORPORATION AND SHALL NOT BE REPRODUCED OR COPIED OR USED IN WHOLE OR IN PART AS THE BASIS FOR THE MANUFACTURE OR SALE OF ITEMS WITHOUT WRITTEN PERMISSION. COPYRIGHT © 1967 DIGITAL EQUIPMENT CORPORATION"



D
C
B
A

D
C
B
A

D E I 58-15587-01 A

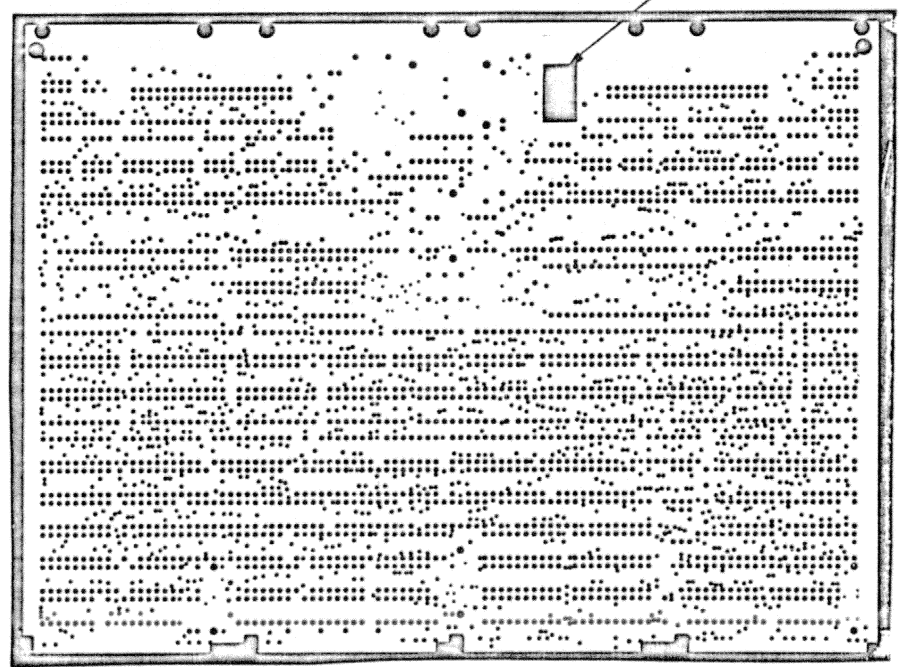
REVISIONS		
CHK	CHANGE NO	REV

TITLE	58-15587-81 R1	DRAWING NO	58-15587-01 A	REV	
SCALE		SHEET			

"THIS DRAWING AND SPECIFICATIONS HEREIN ARE THE PROPERTY OF DIGITAL EQUIPMENT CORPORATION AND SHALL NOT BE REPRODUCED OR COPIED OR USED IN WHOLE OR IN PART AS THE BASIS FOR THE MANUFACTURE OR SALE OF ITEMS WITHOUT WRITTEN PERMISSION. COPYRIGHT © 1983 DIGITAL EQUIPMENT CORPORATION"

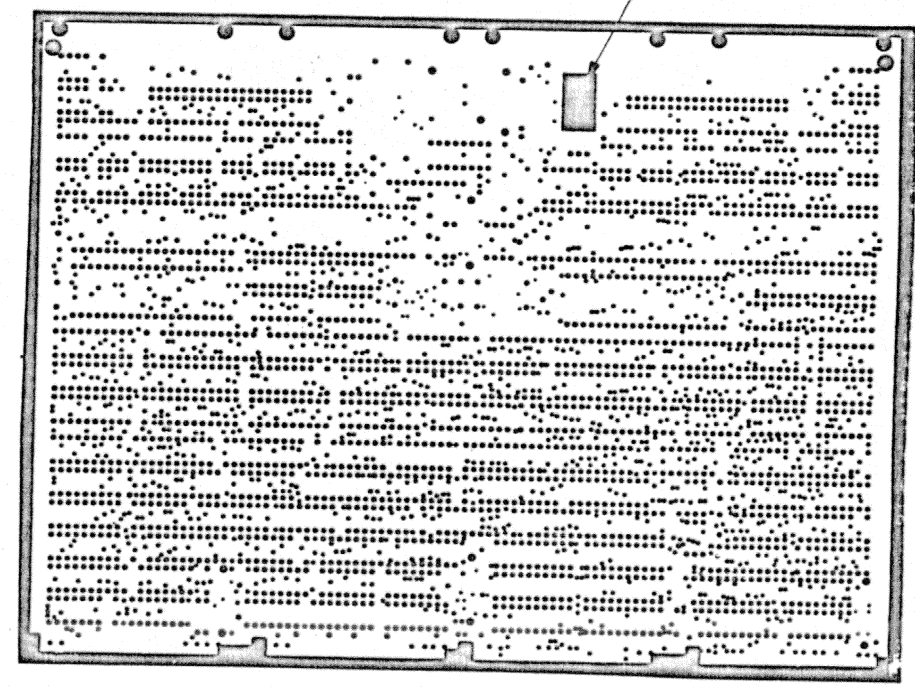
SIDE 1

SOLDERMASK REWORK
SEE ALSO NOTE 2



SIDE 2

SOLDERMASK REWORK
SEE ALSO NOTE 2



REVISIONS		
CHG	CHANGE NO	REV

TITLE	CIRCUIT DRILL AND ETCH DRAWING	SIZE CODE	D MD	NUMBER	5015587-0-0	REV	A
SCALE	1"	SHEET	3	OF	3	DIST	

8

0-0-1855105
5015587-0-0

6

5

4

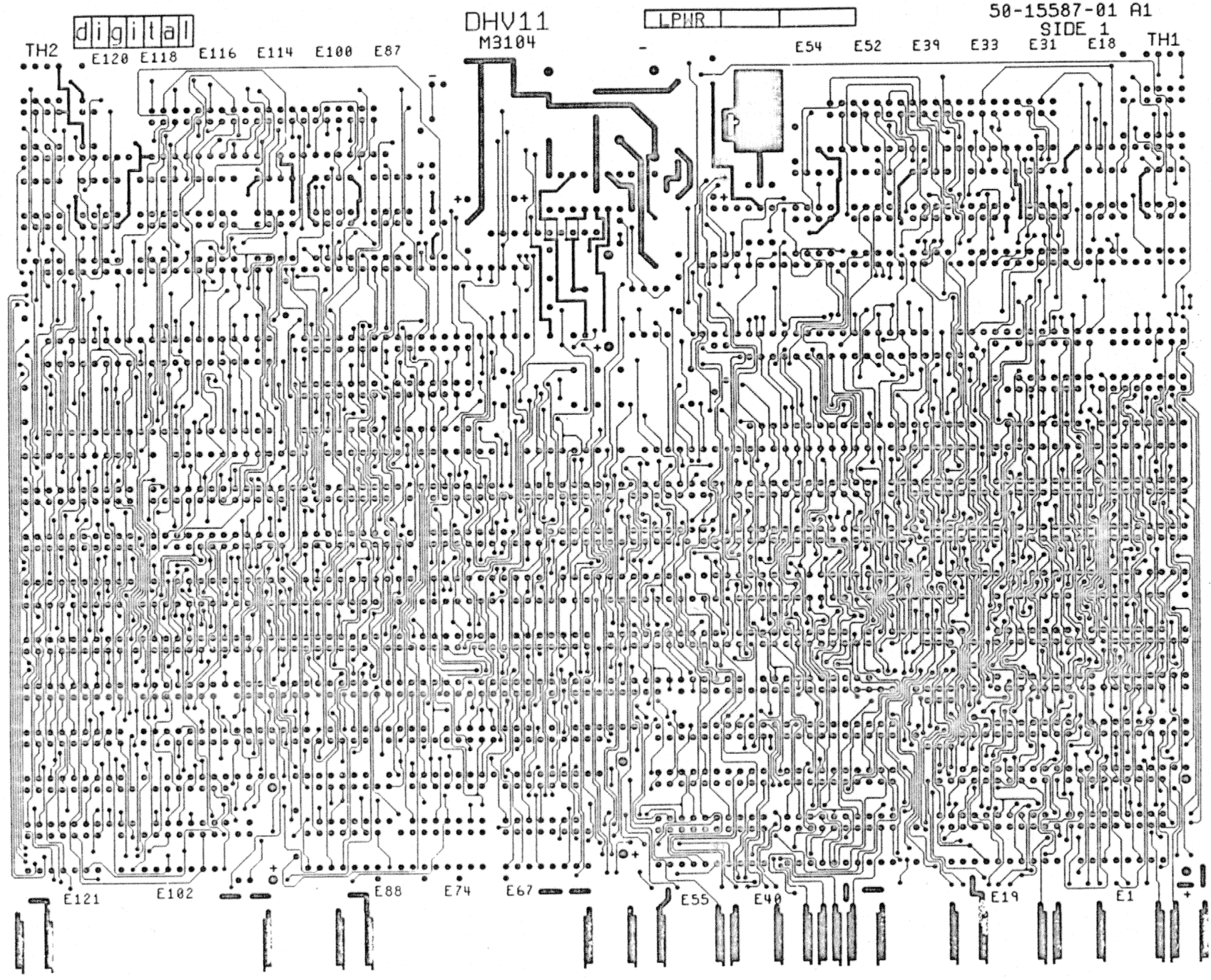
3

2

1

THIS DRAWING AND SPECIFICATIONS HEREIN ARE THE PROPERTY OF DIGITAL EQUIPMENT CORPORATION AND SHALL NOT BE REPRODUCED OR COPIED OR USED IN WHOLE OR IN PART AS THE BASIS FOR THE MANUFACTURE OR SALE OF ITEMS WITHOUT WRITTEN PERMISSION.
COPYRIGHT © 1983 DIGITAL EQUIPMENT CORPORATION

VIEWED FROM SIDE 1



50-15587-01 A1
SIDE 1

digital

DHV11
M3104

LPHR

TH2 E120 E118 E116 E114 E100 E87

E54 E52 E39 E33 E31 E18 TH1

E121 E102 E88 E74 E67 E55 E48 E19 E1

REV	DATE	BY

DRN	DATE	TITLE	digital
DESIGN	DATE	ETCH CUT DRAWING	A
DES. ENG.	DATE		
RESP. ENG.	DATE		
WFO. ENG.	DATE		
TOP. DOW. NO.			

8

7

6

5

4

3

2

1

D

C

B

A

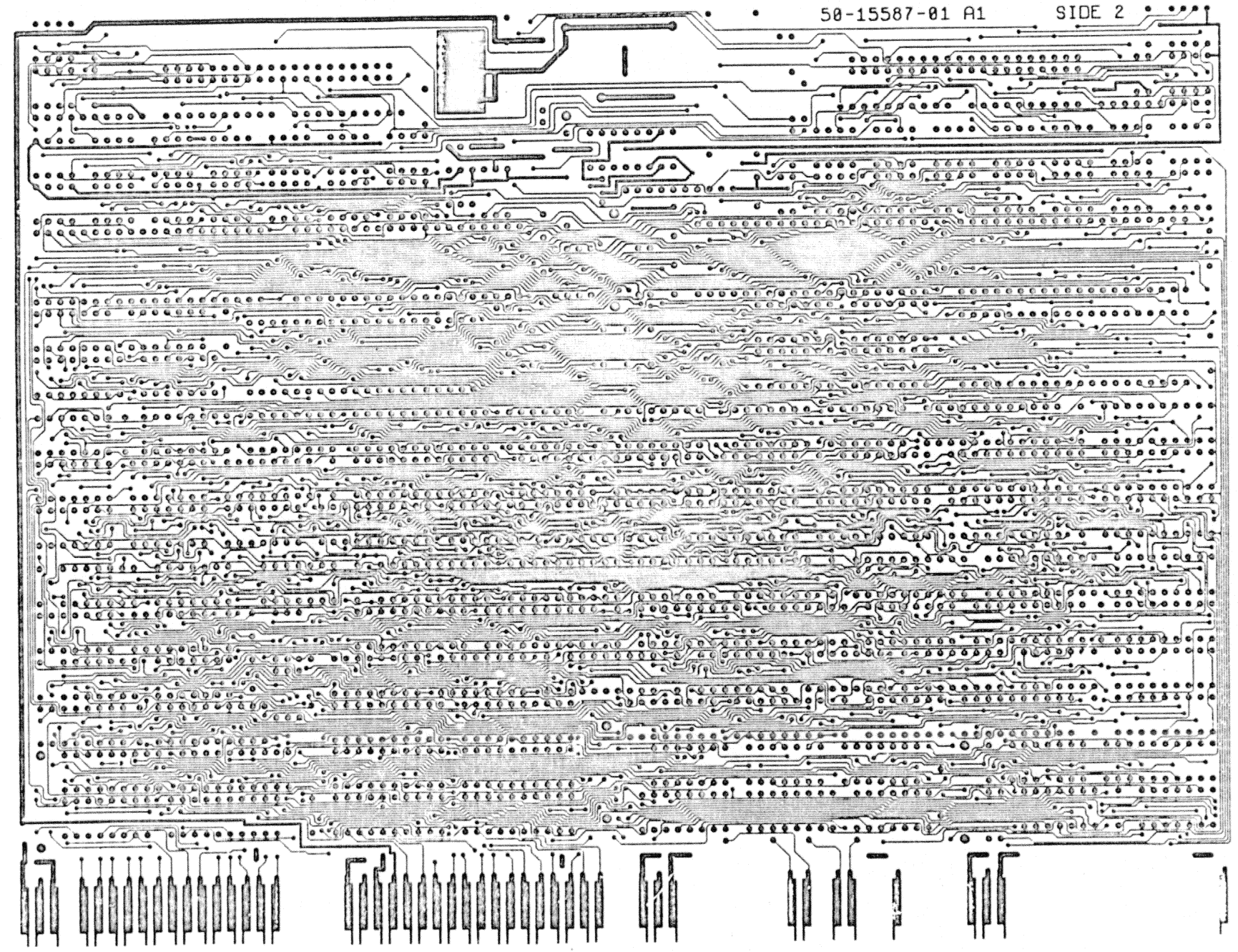
50-15587-0-0

B

THIS DRAWING AND SPECIFICATIONS HEREIN ARE THE PROPERTY OF DIGITAL EQUIPMENT CORPORATION AND SHALL NOT BE REPRODUCED OR USED IN WHOLE OR IN PART AS THE BASIS FOR THE MANUFACTURE OR SALE OF ITEMS WITHOUT WRITTEN PERMISSION OF DIGITAL EQUIPMENT CORPORATION

VIEWED FROM SIDE 2

50-15587-01 A1 SIDE 2



D
C
B
A

D
C
B
A

DEC 5015587-0-1-A

REVISIONS		
CHG	CHANGE NO.	REV.

TITLE	ETCH CUT DRAWING	SIZE CODE	DEC	NUMBER	5015587-0-1	REV.	A
SCALE		SHEET		DIST			

"THE MATERIAL HEREIN IS FOR INFORMATION PURPOSES ONLY AND IS SUBJECT TO CHANGE WITHOUT NOTICE. DIGITAL EQUIPMENT CORPORATION ASSUMES NO RESPONSIBILITY FOR ANY ERRORS WHICH MAY APPEAR HEREIN."

DRAWING DIRECTORY

"THIS DRAWING AND SPECIFICATIONS, HEREIN, ARE THE PROPERTY OF DIGITAL EQUIPMENT CORPORATION AND SHALL NOT BE REPRODUCED OR COPIED OR USED IN WHOLE OR IN PART AS THE BASIS FOR THE MANUFACTURE OR SALE OF ITEMS WITHOUT WRITTEN PERMISSION. COPYRIGHT © 1983 DIGITAL EQUIPMENT CORPORATION."

B-DD-CK-DHV11-XX
B-PL-CK-DHV11-XX

CABINET KIT FOR DHV11

VARIATIONS	
VAR	TITLE
CK-DHV11-AA	CABINET KIT 21" CABLE
CK-DHV11-AB	CABINET KIT 12" CABLE
CK-DHV11-AC	CABINET KIT 30" CABLE

REVISION HISTORY	DATE	ECO NUMBER	REV
	2/84	CK-DHV11-RY001	B

DRN	3D ENG	DATE	8/83	TITLE		
CHK'D P.	DAMPIER / <i>MS Chamberlain</i>	DATE	16/8/83	DHV11 CABINET KIT		
DES. ENG.	T. HOLMES	DATE	16/2/83	DOCUMENT NUMBER		
RESP. ENG.	M. CHAMBERLAIN	DATE	16/8/83	SIZE	CODE	NUMBER
MFG. ENG.	J. TOOMEY	DATE	18/8/83	B	DD	CK-DHV11-XX
						SHEET 1 OF 1

digital

PARTS LIST

QUANTITY / VARIATION

NOTES:

DRN. 3D ENG.
DATE AUG 83

DES. ENG. T.HOLMES
DATE 16 AUG 83

MFG. ENG. P. TOOMEY
DATE 16 AUG 83

CHK'D. P. DAMPIER
DATE 16 AUG 83

RESP. ENG. M. CHAMBERLAIN
DATE 16 AUG 83

TOP DOC. NO.
B-DD-CK-DHV11-XX

ITEM NO.	DRAWING NO.	PART NO.	DESCRIPTION	QUANTITY / VARIATION										REFERENCE DESIGNATORS		
				CK-DHV11-AA	CK-DHV11-AB	CK-DHV11-AC										
1.	B-DD-H3173A-0-0	H3173A	DISTRIBUTION PANEL	2	2	2										
2.	B-DD-H3277-0-0	H3277	TEST CONNECTOR STAGGERED	1	1	1										
3.	D-CS-H325-0-1	H325	TEST CONNECTOR STRAIGHT	1	1	1										
4.	D-UA-BC05L-0-0	BC05L-1K	RIBBON CABLE 40 COND 21"	2												
5.	D-UA-BC05L-0-0	BC05L-01	RIBBON CABLE 40 COND 12"		2											
6.	D-UA-BC05L-0-0	BC05L-2F	RIBBON CABLE 40 COND 30"			2										
7.		90-06021-01	BOLT 6-32	8	8	16										
8.		90-06633-00	LOCK WASHER INT SER	8	8	16										
9.		37-00745-02	PACKAGING	1	1	1										
10.	C-IA-74-28684-0-0	74-28684-01	ADAPTOR PLATE	0	0	2										

ECO NO.
CK-DV11
-RY001

"THIS DRAWING AND SPECIFICATIONS HEREIN ARE THE PROPERTY OF DIGITAL EQUIPMENT CORPORATION AND SHALL NOT BE REPRODUCED OR COPIED OR USED IN WHOLE OR IN PART AS THE BASIS FOR THE MANUFACTURE OR SALE OF ITEMS WITHOUT WRITTEN PERMISSION
COPYRIGHT © 1983 DIGITAL EQUIPMENT CORPORATION"

TITLE
PARTS LIST FOR DHV11 CABINET KITS

ASSY. NO.
SECTION A OF A

SIZE B PL NUMBER CK-DHV11-XX REV. B
SHEET A1 OF A1

AUTOMATED BY PRTLST,4Q(50)

PARTS LIST

SHEET A1 OF A1

LINE ITEM	DOCUMENT NUMBER	PART NUMBER	DESCRIPTION	QUANTITY PER VARIATION	
1	1	D-UA-5416370-0-0	5416370-01	DHV11 CONNECTOR BOARD ASSY.	1
2	2	D-HD-7428801-0-0	7428801-01	PLATE,CONNECTOR,DHV-11	1
3	3		9008451-00	SCREW LOCK,ASSY .060TH	4

REVISION HISTORY			BASIC PART NO: H3173	DRN: RITA BUREAU	DATE: 17-JUN-83	D I G I T A L			
ENG	ECO NUMBER	REV	SECTION A OF A	CHK'D: BRIAN GOOD	DATE: 17-JUN-83	TITLE PARTS LIST			
MC	H3173A-RY001	B	[A] A	<i>mse/rb</i>	DATE: 17-JUN-83	H3173A DISTRIBUTION PANEL			
			[B]	DES.ENG.: A.J. HOLMES	DATE: 17-JUN-83	DOCUMENT NUMBER			
			[C]	<i>mse/rb</i>	DATE: 17-JUN-83	SIZE	CODE	NUMBER	REV
			[D]	RESP.ENG.: M. CHAMBERLAIN	DATE: 17-JUN-83	K	PL	H3173A-0-DBF	B
			[E]	<i>mse/rb</i>	DATE: 17-JUN-83	ASSEMBLY NUMBER: D-UA-H3173A-0-0			EDIT #
			[F]			TOP DOCUMENT NUMBER: B-DD-H3173A-0-0			6
						FILE NAME: Z7499B.PLS			

*THIS DRAWING AND SPECIFICATIONS HEREIN, ARE THE PROPERTY OF DIGITAL EQUIPMENT CORPORATION AND SHALL NOT BE REPRODUCED OR COPIED OR USED IN WHOLE OR IN PART AS THE BASIS FOR THE MANUFACTURE OR SALE OF ITEMS WITHOUT WRITTEN PERMISSION. COPYRIGHT (C) 1983. DIGITAL EQUIPMENT CORPORATION *

4

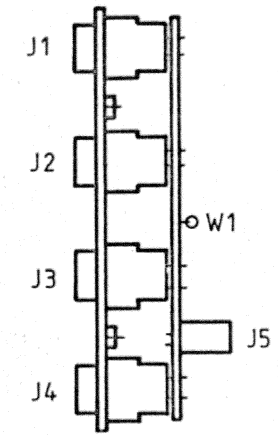
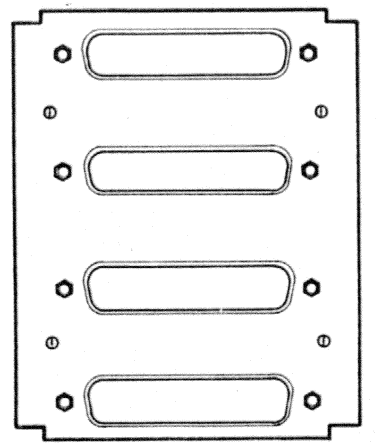
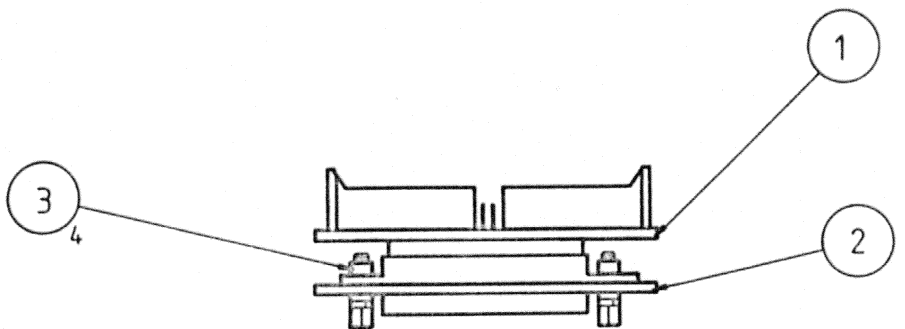
3

2

1

SIZE CODE
C UA
 NUMBER
H3173-A-0
 REV
B

"THIS DRAWING AND SPECIFICATIONS, HEREIN, ARE THE PROPERTY OF DIGITAL EQUIPMENT CORPORATION AND SHALL NOT BE REPRODUCED OR COPIED OR USED IN WHOLE OR IN PART AS THE BASIS FOR THE MANUFACTURE OR SALE OF ITEMS WITHOUT WRITTEN PERMISSION.
 COPYRIGHT © 1983 DIGITAL EQUIPMENT CORPORATION"



C

B

D

C

A

REV

B

NUMBER

H3173-A-0

C UA

SIZE

REVISION HISTORY		DATE
REV	ECO NUMBER	

A

A

DESCRIPTION	DRAWING NO.	PART NO.	ITEM NO.				
UNLESS OTHERWISE SPECIFIED DIMENSIONS ARE IN INCHES AND THE FOLLOWING TOLERANCES APPLY (PER DEC STD 114)							
INCHES TOLERANCES	ANGLES ± 0° 30'	APPLICABLE DIMENSION RANGE (CHECK ONE)	DIMENSIONS RANGE IN INCHES				
			OVER 0 TO 0.2	OVER 0.2 TO 1.2	OVER 1.2 TO 4.0	OVER 4.0 TO 12.0	OVER 12.0 TO 40.0
X = ± .1 XX = ± .02 XXX = ± .005	SURFACE QUALITY <input checked="" type="checkbox"/> MICRINCHES	<input type="checkbox"/>	± .02	± .03	± .05	± .10	
QUANTITY & VARIATION		<input type="checkbox"/>	± .004	± .008	± .012	± .016	± .024 ± .04
THIRD ANGLE PROJECTION	DRN 3D ENG	DATE 9/83	TITLE digital				
DO NOT SCALE DRAWING	CHK'D P. DAMPIER	DATE 14 SEP 83	H3173-A				
REMOVE BURRS AND BREAK SHARP CORNERS	DES ENG T. HOLMES	DATE 14 SEP 83	DISTRIBUTION PANEL				
MATERIAL	RESP ENG M. CHAMBERLAIN	DATE 14-SEP-83	DOCUMENT NUMBER				
FINISH	MFG ENG P. TOOMEY	DATE 14-SEP-83	SIZE CODE C UA	NUMBER H3173-A-0	REV B	SCALE NTS SHEET 01 OF 01	
	TOP DOC. NO. B-DD-H3173A-0-0						

AUTOMATED BY PRTLST.4Q(50)

PARTS LIST

SHEET A1 OF A1

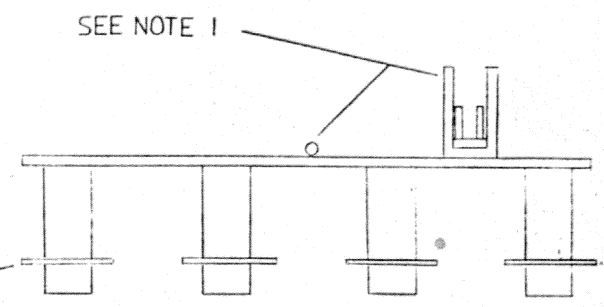
LINE ITEM	DOCUMENT NUMBER	PART NUMBER	DESCRIPTION	QTY PER VARIATION 01	REFERENCE DESIGNATOR
1	1	D-MD-5015588-0-0	5015588-01	DRILL AND ETCH CUT BOARD	1
2	2		1214886-01	PCB,HEADER 40POS(2X40),100CC	1
3	3		1219573-11	CONN,D SUB 11PIN ASSY STR	4
4	4		9009185-00	JUMPER, WIRE, INSULATED, BLACK B	1

REVISION HISTORY			BASIC PART NO: 5416370			D I G I T A L		
ENG	ECD NUMBER	REV	SECTION A OF A	DRN:	DATE:	TITLE	NUMBER	REV
	INITIAL	A	SECTION.VARIATION INDEX	CHK'D:	DATE:	CONNECTOR MODULE ASSEMBLY		
			[A] 01	BRIAN GOOD	23-SEP-83			
			[B]	<i>mse/RB</i>				
			[C]	DES.ENG: A.J.HOLMES	23-SEP-83			
			[D]	<i>mse/RB</i>				
			[E]	RESP.ENG.: M. CHAMBERVAIN	23-SEP-83			
			[F]	<i>mse/RB</i>				
			[G]	MFG.ENG.: P. TOOMEY	23-SEP-83			
			[H]	<i>mse/RB</i>				
			[I]	ASSEMBLY NUMBER:	TOP DOCUMENT NUMBER:	FILE NAME:		EDIT #
			[J]	D-UA-5416370-0-0	B-DD-5416370-0-0	Z8046A.PLS		3
			[K]					
			[L]					
			[M]					
			[N]					

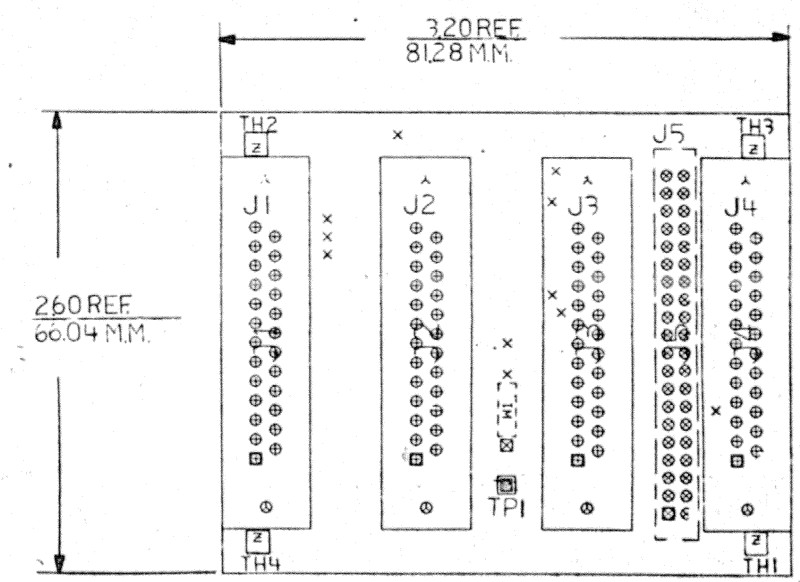
*THIS DRAWING AND SPECIFICATIONS HEREIN, ARE THE PROPERTY OF DIGITAL EQUIPMENT CORPORATION AND SHALL NOT BE REPRODUCED OR COPIED OR USED IN WHOLE OR IN PART AS THE BASIS FOR THE MANUFACTURE OR SALE OF ITEMS WITHOUT WRITTEN PERMISSION. COPYRIGHT (C) 1983. DIGITAL EQUIPMENT CORPORATION *

THIS DRAWING AND SPECIFICATIONS HEREIN ARE THE PROPERTY OF DIGITAL EQUIPMENT CORPORATION AND SHALL NOT BE REPRODUCED OR COPIED OR USED IN WHOLE OR IN PART AS THE BASIS FOR THE MANUFACTURE OR SALE OF ITEMS WITHOUT WRITTEN PERMISSION.
 COPYRIGHT ©1983 DIGITAL EQUIPMENT CORPORATION

8 7 6 5 4 3 2 1



CONNECTOR FLANGES
 OF J1-J4 MUST OCCUPY
 SAME PLANE



NOTES: J5 AND W1 ARE MOUNTED ON
 SIDE 2

STEP	+	Y AXIS	STEP	TIMES
REPEAT	+	X AXIS	STEP	TIMES

CHANGE NO.	REV.

ETCH REV.	A1
-----------	----

SIGNATURES		DATE	digital
DRN.	<i>Russell Rhoads</i>	4/23/83	
CHK'D.	<i>Frank...</i>	6/25/83	
MECH. ENG.	<i>RJ Seal</i>	7/30/83	
PROJ. ENG.	<i>RJ Seal</i>	7/30/83	
PROD.	<i>RJ Seal</i>	7/31/83	TITLE
SCALE 2:1			CONNECTOR MODULE ASSY.
SHT. 1	OF 1	SIZE CODE	NUMBER
TOP DOC. NO. 18 DD-H3173A-0-0		0 UA	54-16370-0-0
			REV
			A

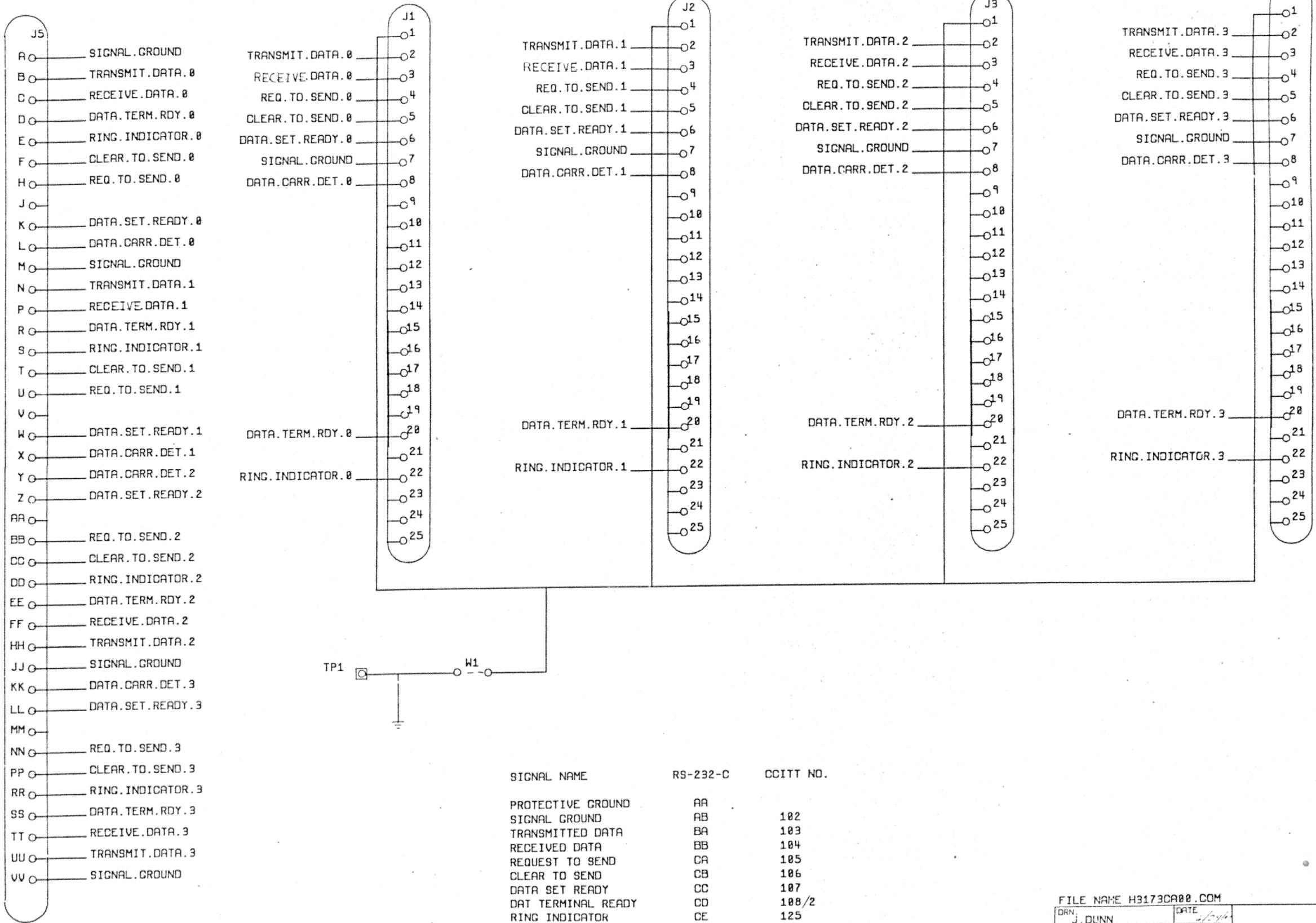
1. WO# 275225

D
C
B
A

D
C
B
A

8 7 6 5 4 3 2 1

THIS DRAWING AND SPECIFICATIONS, HEREIN, ARE THE PROPERTY OF DIGITAL EQUIPMENT CORPORATION AND SHALL NOT BE REPRODUCED OR COPIED OR USED IN WHOLE OR IN PART AS THE BASIS FOR THE MANUFACTURE OR SALE OF ITEMS WITHOUT WRITTEN PERMISSION.
 COPYRIGHT 1965 DIGITAL EQUIPMENT CORPORATION



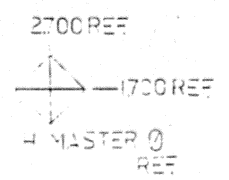
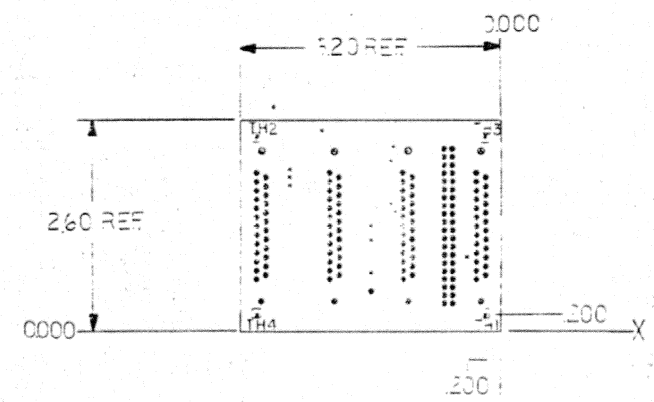
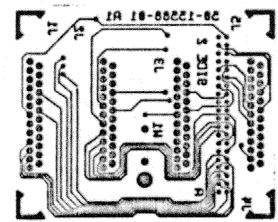
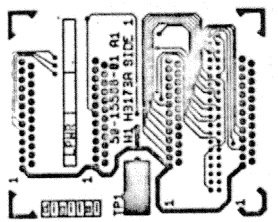
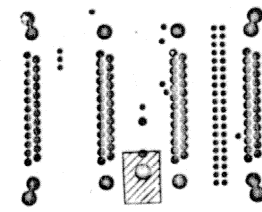
SIGNAL NAME	RS-232-C	CCITT NO.
PROTECTIVE GROUND	AA	
SIGNAL GROUND	AB	102
TRANSMITTED DATA	BA	103
RECEIVED DATA	BB	104
REQUEST TO SEND	CA	105
CLEAR TO SEND	CB	106
DATA SET READY	CC	107
DAT TERMINAL READY	CD	108/2
RING INDICATOR	CE	125
DATA CARRIER DETECT	CF	109

REV.	
CHANGE NO.	
CHK.	

FILE NAME H3173CA00.COM		digital
DRAWN J. DUNN	DATE 1/24/66	
CHKD. R. MARTIN	DATE 1/24/66	CONNECTOR MODULE ASSY.
DES. ENG. T. HOLMES	DATE 1/11/66	
RESP. ENG. M. CHAMBERLAIN	DATE 1/24/66	DOCUMENT NUMBER
MFG. ENG. P. TOOMEY	DATE 1/24/66	
TOP DOC. NO. B-00-H3173A-0-0	SCALE	SIZE/DOC. NUMBER D CS 54-16370-0-0 A
		REV SHEET 01 OF 01

FOR INFORMATION OF THE CUSTOMER, THIS DRAWING AND THE PROPERTY RIGHTS IN THE PATENT RIGHTS THEREIN ARE THE PROPERTY OF THE FEDERAL BUREAU OF INVESTIGATION AND SHALL NOT BE REPRODUCED OR TRANSMITTED IN ANY FORM OR BY ANY MEANS, ELECTRONIC OR MECHANICAL, INCLUDING PHOTOCOPYING, RECORDING, OR BY ANY INFORMATION STORAGE AND RETRIEVAL SYSTEM, WITHOUT PERMISSION IN WRITING FROM THE FEDERAL BUREAU OF INVESTIGATION, U.S. DEPARTMENT OF JUSTICE.

VIEWED FROM SIDE 1
COMPONENT SIDE



INDICATES AREA TO BE REWORKED ON SOLDERMASK SIDE 1

FOR HOLE TOLERANCES USE DEC STD 176		DESIGN INFORMATION		FABRICATION INFORMATION		TOLERANCES	
SYMBOL	1 2 3 4 5 6	CIRCUIT SIZE	X 120 Y 220 INCHES	FABRICATE BOARD PER	VD ELN622 15:00 W AS SHOWN	INCHES UNLESS SPECIFIED	
DRILL HOLE SIZE	.003 .004 .005 .006 .007 .008	CIRCUIT TYPE	PREP P-X M-X	SOLDER MASK, SIDE 1 W	SIDE 2 W NAE(D)	XXX ± .210	ANGLES
PLATED		DRILLING	HOLES (D)			XX ± .220	± 2 DEG 30 MIN
NOT PLATED		TECH. (C) 1000	HOLES (C) 1000	SPECIFICATIONS AND STANDARDS:		± .220	
NOTE: ALL HOLE LOCATIONS ARE DESIGNED ON WAVE DRUM INCREMENTS FROM DRYUM UNLESS SYMBOL IS INDICATED.				MATERIALS AND WORKMANSHIP FOR ALL FABRICATED PRINTED WIRING		SIGNATURES DATE	
		E MD ELN622 15:00 W AS SHOWN		DRN: [Signature]		19 Jan 83	
		C MD ELN629 10:00 X AS SHOWN		DRN: [Signature]		27 Jun 83	
		SC10		DRN: [Signature]		27 Jun 83	
		P.R. 2A212		DRN: [Signature]		29 Jun 83	
				FILE: [Signature]			
				FILE: [Signature]			

original
CIRCUIT DRILL
AND ETCH DRAWING
MD 5015588-0-0 A

275225

8

50-15588-01

6

5

4

3

2

1

THIS DRAWING AND SPECIFICATIONS HEREIN ARE THE PROPERTY OF DIGITAL EQUIPMENT CORPORATION AND SHALL NOT BE REPRODUCED OR COPIED OR USED IN ANY PART AS THE BASIS FOR THE MANUFACTURE OR SALE OF ITEMS WITHOUT WRITTEN PERMISSION
CORP. 017423
DIGITAL EQUIPMENT CORPORATION

D

D

C

C

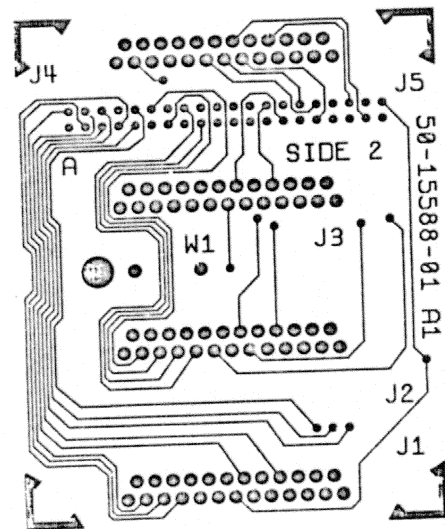
B

B

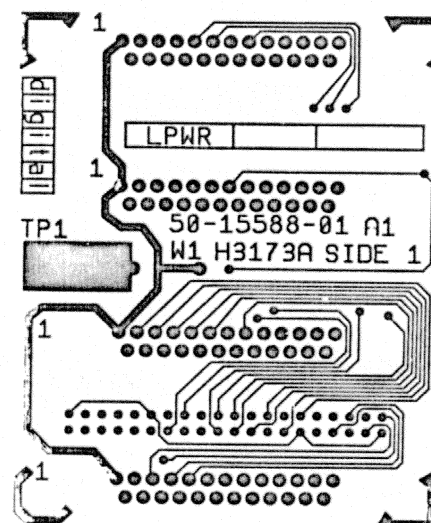
A

A

VIEWED FROM SIDE 2



VIEWED FROM SIDE 1



MANUFACTURED BY
REV. NUMBER

50-15588-01-A
DEC

DRN	DATE	TITLE	digital
CHK'D	DATE	29 JUN 83	
DES. ENG.	DATE	27 JUN 83	
RESP. ENG.	DATE	27 JUN 83	
MFG. ENG.	DATE	27 JUN 83	
DOCUMENT NUMBER		DEC 50-15588-01-A	
SIZE (CODE)		NUMBER	
SCALE		REV	

3

7

6

5

4

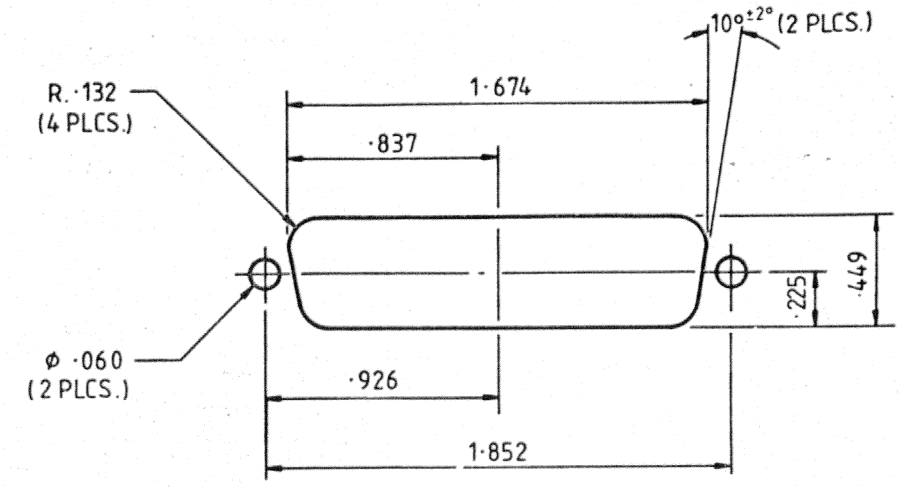
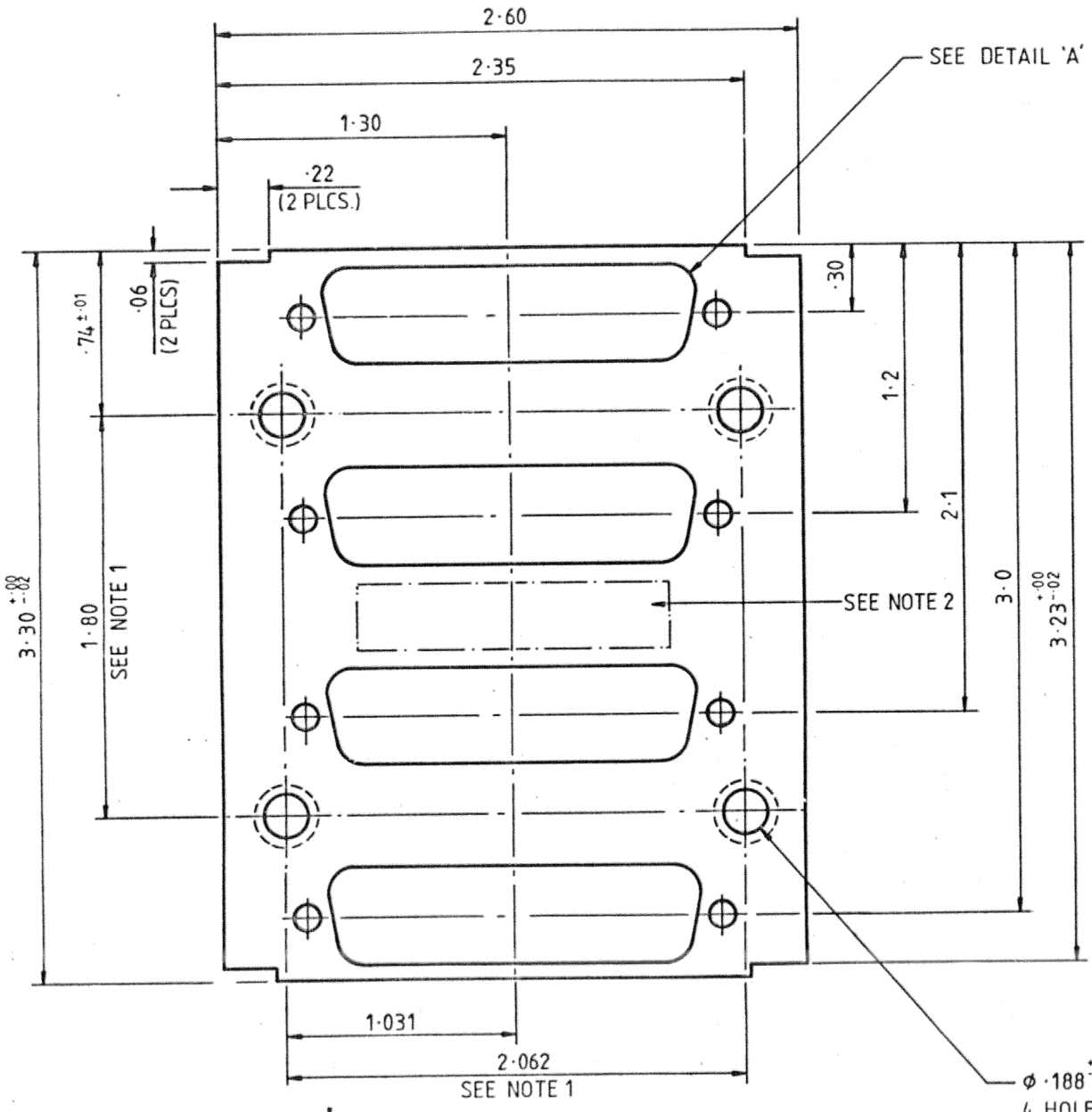
3

2

1

THIS DRAWING AND SPECIFICATIONS, HEREIN, ARE THE PROPERTY OF DIGITAL EQUIPMENT CORPORATION AND SHALL NOT BE REPRODUCED OR COPIED OR USED IN WHOLE OR IN PART AS THE BASIS FOR THE MANUFACTURE OR SALE OF ITEMS WITHOUT WRITTEN PERMISSION.
 COPYRIGHT © 1983 DIGITAL EQUIPMENT CORPORATION

SIZE CODE
 C MD
 NUMBER
 74-28801-01
 REV
 A



NOTES:
 1. DIMENSIONS BETWEEN INSERTS TO BE ±.010 AFTER INSERTION.
 2. MARK PART No., REVISION LEVEL & VENDOR ID PER DEC STD. 178 (FAR SIDE).

4	THREADED INSERT 6-32 SELF-CLINCHING	90-00015-04	2
1	METAL PLATE	SEE THIS DRAWING	1

INCHES TOLERANCES	ANGLES ± 0° 30'	APPLICABLE DIMENSION RANGE (CHECK ONE)	OVER 0 TO 0.2	OVER 0.2 TO 1.2	OVER 1.2 TO 4.0	OVER 4.0 TO 12.0	OVER 12.0 TO 40.0	OVER 40.0 TO 60.0
X = ± .1 .XX = ± .02 .XXX = ± .005	<input checked="" type="checkbox"/>	<input type="checkbox"/> ± .02 <input type="checkbox"/> ± .03 <input type="checkbox"/> ± .05 <input type="checkbox"/> ± .10	<input type="checkbox"/> ± .004 <input type="checkbox"/> ± .008 <input type="checkbox"/> ± .012 <input type="checkbox"/> ± .016 <input type="checkbox"/> ± .024 <input type="checkbox"/> ± .04					

THIRD ANGLE PROJECTION	DRN 3D ENG	DATE 9/83	TITLE digital
DO NOT SCALE DRAWING	CHK'D [Signature]	DATE 14 SEP 83	DHV11 CONNECTOR PLATE
REMOVE BURRS AND BREAK SHARP CORNERS	DES ENG A.J.H. [Signature]	DATE 14 SEP 83	
MATERIAL 20 GA (.0359) 1010 / 1020 CRS	RESP ENG M.J.C.	DATE 14 SEP 83	DOCUMENT NUMBER
FINISH 92-B055-XXX	MFG ENG P.P. BSS	DATE 14 SEP 83	C MD 74-28801-01 A
	TOP DOC. NO. B-DD-H3173A-0-0		SCALE NTS SHEE 01 OF 01

DIMENSIONS IN INCHES

C
 B
 A

D
 C
 A

REV	ECO NUMBER	DATE

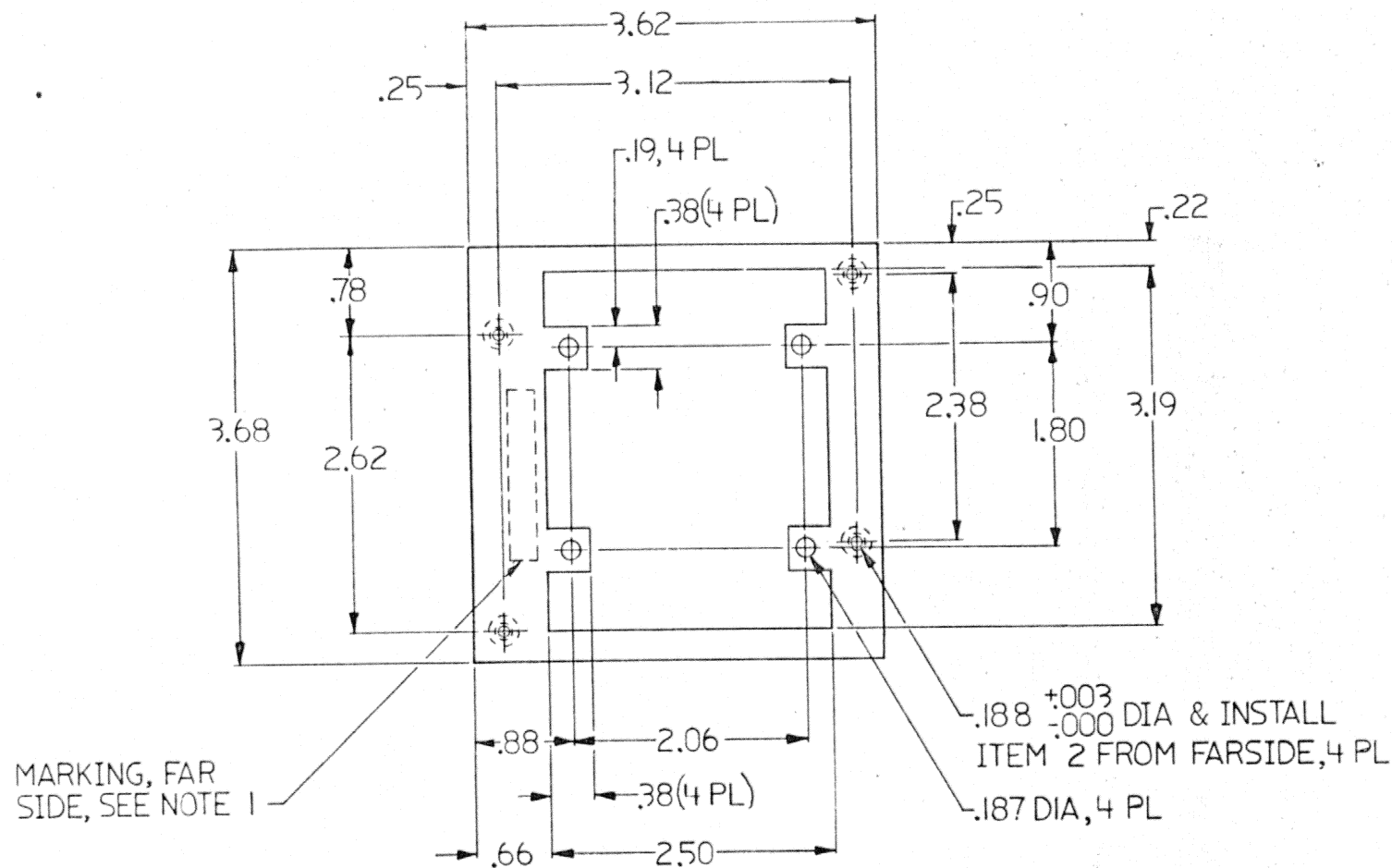
SIZE CODE
C IA
NUMBER
7428684-0-0
REV
A

THIS DRAWING AND THE SPECIFICATIONS CONTAINED HEREIN ARE CONFIDENTIAL AND PROPRIETARY. THEY ARE THE PROPERTY OF DIGITAL EQUIPMENT CORPORATION AND SHALL NOT BE REPRODUCED OR COPIED OR USED IN WHOLE OR IN PART AS THE BASIS FOR MANUFACTURE OR SALE OF ITEMS WITHOUT WRITTEN PERMISSION. THIS IS AN UNPUBLISHED WORK PROTECTED UNDER THE FEDERAL COPYRIGHT LAWS.

LEGEND		
PART NO.	REV	VARIATION
7428684-01		AS SHOWN

NOTES

1. MARK PART NO., REVISION LEVEL AND VENDOR I.D., PER DEC STD 178. LOCATE APPROX WHERE SHOWN.



CAUTION: OFFSHEET PARTS LIST EXISTS.
REFER TO K-PL-7428684-0-DBP

REVISION HISTORY	
REV	DATE
A	7019964-ML001

DESCRIPTION	DRAWING NO	PART NO	ITEM NO
UNLESS OTHERWISE SPECIFIED DIMENSIONS ARE IN INCHES AND THE FOLLOWING TOLERANCES APPLY (PER DEC STD 114)			
INCHES TOLERANCES X = ± 1 XX = ± .02 XXX = ± .005	ANGLES ± 0° 30'	DIMENSIONS RANGE IN INCHES	
		APPLICABLE DIMENSION RANGE (CHECK ONE)	OVER TO OVER TO OVER TO OVER TO OVER TO
SURFACE QUALITY MICROINCHES	QUANTITY & VARIATION	± .02	± .03
		± .05	± .10
THIRD ANGLE PROJECTION	DRN DATE N. Nichols 27/9/83	TITLE digital	
DO NOT SCALE DRAWING	CHKD DATE J. Kusugum 14-SEP-83	ADAPTOR PLATE	
REMOVE BURRS AND BREAK SHARP CORNERS	DES ENG DATE L. KIZINATYKH 15-SEP-83	DOCUMENT NUMBER	
MATERIAL 48ABBA - JJ 1010 CRS .059 THK	RESP ENG DATE G. MARCHER 16-SEP-83	SIZE CODE C IA	NUMBER REV 7428684-0-0 A
FINISH 092-B055-XXX	MFG ENG DATE M. LIVINGSTON 16-SEP-83	SCALE 1/1	SHEET OF
	TOP DDC NO D-AD-7019964-0-0		

DRAWING NO.	NO OF SHTS.	PART NO.	DESCRIPTION	REVISIONS																
		H3277-01	H3277 TEST BOARD	A1																
D-UA-H3277-0-0	1		H3277 TEST BOARD UNIT ASSEMBLY	A																
D-CS-H3277-0-0	1		H3277 TEST BOARD CIRCUIT SCH.	A																
K-PL-H3277-0-DBP	1		H3277 TEST BOARD PARTS LIST	A																
K-PC-H3277-0-DBJ			P.C. DESIGN DATA BASE	A																
		5015589-01	ETCHED CIRCUIT BOARD	A1																
B-DD-5015589-0-0	1		DRAWING DIRECTORY	A																

NOTES:

REVISION HISTORY			
DATE	ECO NO.	REV.	

THIS DRAWING AND THE SPECIFICATIONS CONTAINED HEREIN ARE CONFIDENTIAL AND PROPRIETARY. THEY ARE THE PROPERTY OF DIGITAL EQUIPMENT CORPORATION AND SHALL NOT BE REPRODUCED OR COPIED OR USED IN WHOLE OR IN PART AS THE BASIS FOR THE MANUFACTURE OR SALE OF ITEMS WITHOUT WRITTEN PERMISSION. THIS IS AN UNPUBLISHED WORK PROTECTED UNDER THE FEDERAL COPYRIGHT LAWS.

1983



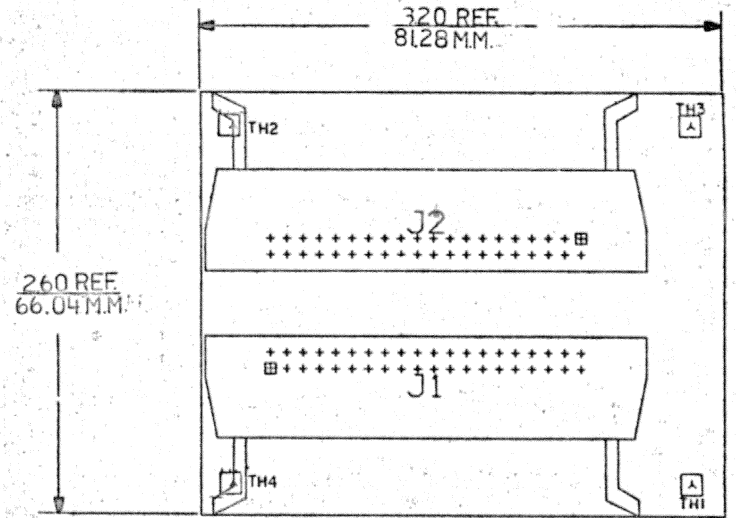
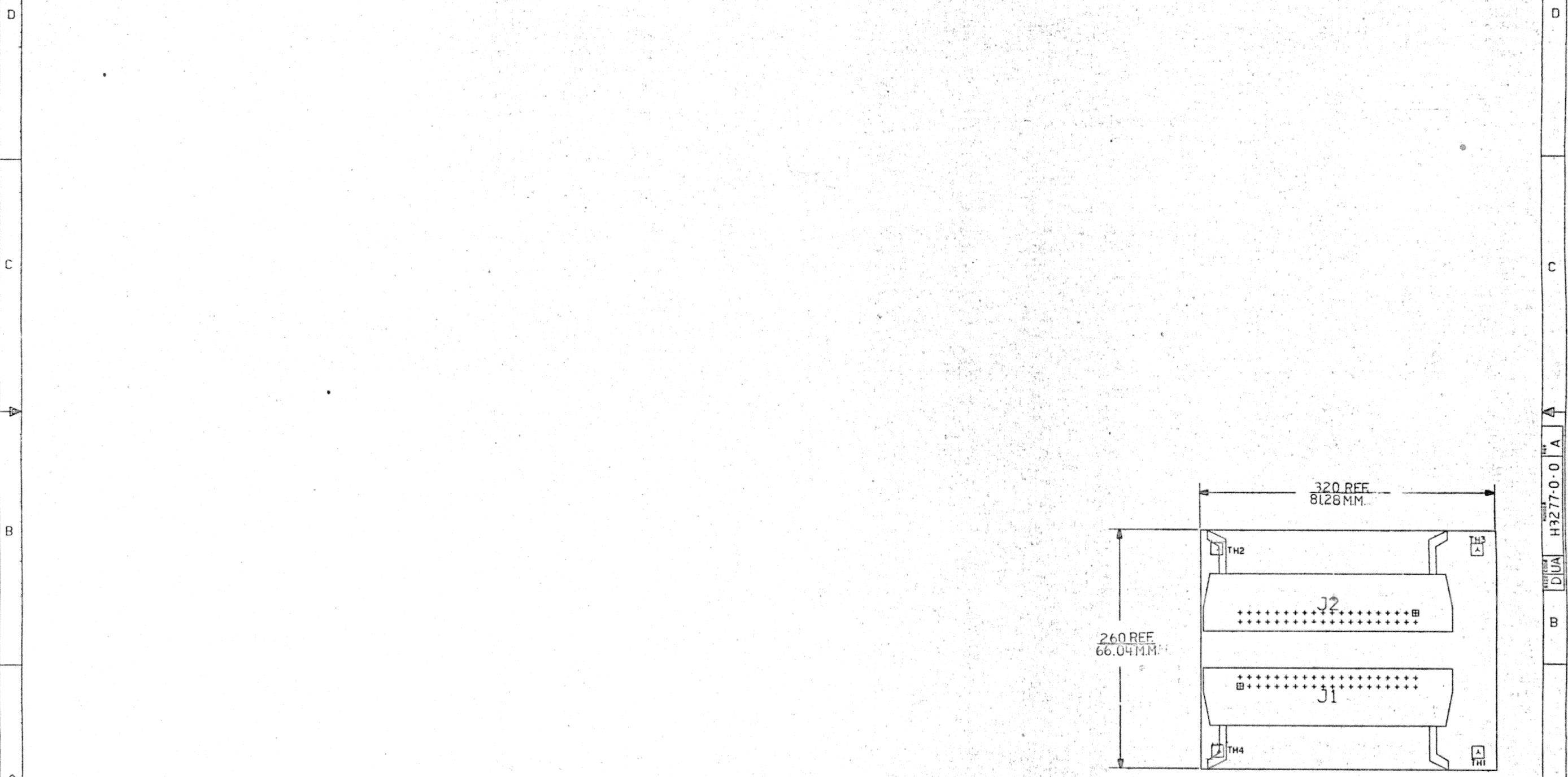
DRN. R. RHOADES	DATE 20 JUN 83	TITLE H3277 TEST BOARD
CHK'D [Signature]	DATE 29 JUN 83	
DES. ENG. [Signature]	DATE 27 JUN 83	DOCUMENT NUMBER
RESP. ENG. [Signature]	DATE 27 JUN 83	NUMBER H3277-0-0
MFG. ENG. [Signature]	DATE 27 JUN 83	SIZE B DD
		REVISION A
		SHEET 1 OF 1

LINE ITEM	DOCUMENT NUMBER	PART NUMBER	DESCRIPTION	QTY PER VARIATION 00	REFERENCE DESIGNATOR
1	1	D-MD-5015589-0-0	DRILL AND ETCH CUT BOARD	1	J1,J2
2	2	5015589-01 1209941-02	PCB,HEADER 40PIN(2X20).100CC 90D	2	

REVISION HISTORY		BASIC PART NO: H3277		DRN: RITA BUREAU	DATE: 17-JUN-83	D I G I T A L			
ENG:	ECO NUMBER	REV	SECTION A OF A	CHK'D: BRIAN GOOD	DATE: 17-JUN-83	TITLE		PARTS LIST	
	INITIAL	A	SECTION VARIATION INDEX	DES.ENG: A.J. HOLMES	DATE: 17-JUN-83	H3277 TEST BOARD FOR DHV11			
			[A] 00	RESP.ENG.: M. CHAMBERLAIN	DATE: 17-JUN-83	DOCUMENT NUMBER			
			[B]	MFG.ENG.: P. TOOMEY	DATE: 17-JUN-83	SIZE	CODE	NUMBER	REV
			[C]	ASSEMBLY NUMBER:	TOP DOCUMENT NUMBER:	K	PL	H3277-0-DBP	A
			[D]	D-UA-H3277-0-0	B-DD-H3277-0-0	FILE NAME:		EDIT #	
			[E]			Z7500A.PLS		2	
			[F]	"THIS DRAWING AND SPECIFICATIONS HEREIN, ARE THE PROPERTY OF DIGITAL EQUIPMENT CORPORATION AND SHALL NOT BE REPRODUCED OR COPIED OR USED IN WHOLE OR IN PART AS THE BASIS FOR THE MANUFACTURE OR SALE OF ITEMS WITHOUT WRITTEN PERMISSION. COPYRIGHT (C) 1983. DIGITAL EQUIPMENT CORPORATION "					
			[H]	y&hk HH +3					
			[J]						
			[K]						
			[L]						
			[M]						
			[N]						

8 7 6 5 4 3 2 1

THIS DRAWING AND SPECIFICATIONS, WHETHER FOR THE
 ORIGINAL OR REVISION, ARE THE PROPERTY OF DIGITAL
 EQUIPMENT CORPORATION. NO PART OF THIS DRAWING OR
 SPECIFICATIONS IS TO BE REPRODUCED OR TRANSMITTED
 IN ANY FORM OR BY ANY MEANS, ELECTRONIC OR MECHANICAL,
 INCLUDING PHOTOCOPYING, RECORDING, OR BY ANY INFORMATION
 STORAGE AND RETRIEVAL SYSTEM, WITHOUT WRITTEN PERMISSION
 FROM DIGITAL EQUIPMENT CORPORATION.
 COPYRIGHT © 1989



NOTES:

STEP	E	↑ Y AXIS	STEP	TIMES
REPEAT		→ X AXIS	STEP	TIMES

CHANGE NO	REV	

ETCH REV	A1
----------	----

SIGNATURES		DATE	digital
DRN.	<i>[Signature]</i>	<i>[Date]</i>	
CHK'D.	<i>[Signature]</i>	<i>[Date]</i>	TITLE H3277 TEST BOARD
MECH. ENG.	<i>[Signature]</i>	<i>[Date]</i>	
PROJ. ENG.	<i>[Signature]</i>	<i>[Date]</i>	
PROD.	<i>[Signature]</i>	<i>[Date]</i>	
SCALE 2:1		SIZE CODE	NUMBER H3277-0-0
SHT. 1	OF 1	D UA	
TOP DOC. NO. B-00-H3277-0-0			REV A

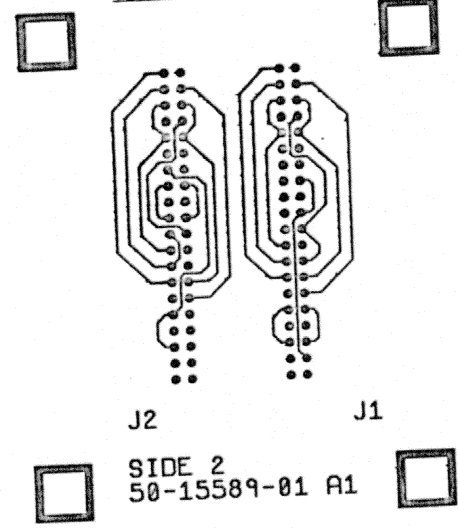
8 7 6 5 4 3 2 1 WO# 275226

H3277-0-0
 DUA
 A
 B
 A

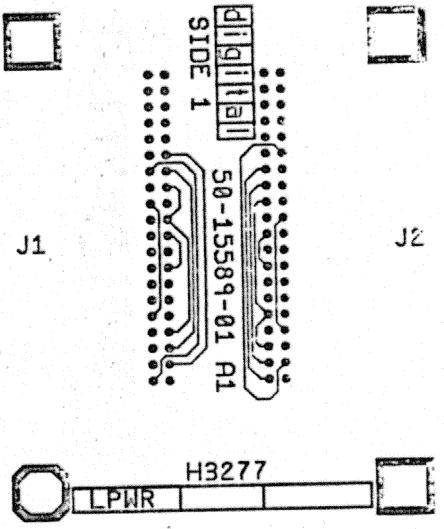
THIS DRAWING AND SPECIFICATIONS HEREIN ARE THE PROPERTY OF DIGITAL EQUIPMENT CORPORATION AND SHALL NOT BE REPRODUCED OR COPIED OR USED IN WHOLE OR IN PART AS THE BASIS FOR THE MANUFACTURE OR SALE OF ITEMS WITHOUT WRITTEN PERMISSION. COPYRIGHT © 1983 DIGITAL EQUIPMENT CORPORATION

V 0-0-6855105 DEC 5000 32H

VIEWED FROM SIDE 2



VIEWED FROM SIDE 1



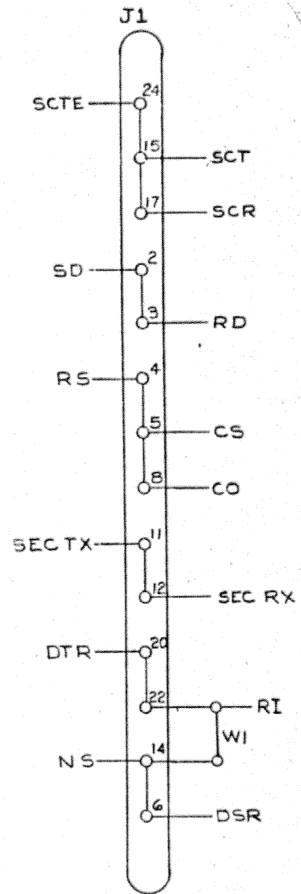
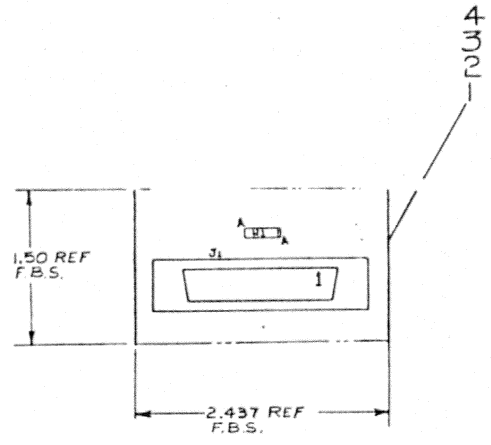
REVISION HISTORY	REV
DATE	ECO NUMBER

DWG	DATE	TITLE	digital
CHKD	DATE	ETCH CUT DRAWING	
DES ENG	DATE	DOCUMENT NUMBER	
RESP ENG	DATE	SIZE	CODE
MFG ENG	DATE	NUMBER	REV
TYP DOC NO.		SCALE	SHEET
B DD 5015589-0-0		2:1	1 OF 1

5015589-0-0 DEC

THIS DRAWING AND SPECIFICATIONS HERIN ARE THE PROPERTY OF DIGITAL EQUIPMENT CORPORATION AND SHALL NOT BE REPRODUCED OR COPIED OR USED IN WHOLE OR IN PART AS THE BASIS FOR THE MANUFACTURE OR SALE OF ITEMS WITHOUT WRITTEN PERMISSION.
 COPYRIGHT © 1976 DIGITAL EQUIPMENT CORPORATION

NOTES:



REF	X-Y COORDINATE	HOLE LOC	KCO-H325-0-4	1
REF		ASSY/DRILLING HOLE LAYOUT	DAH-H325-0-5	2
REF		MODULE ECO HISTORY	B-MH-H325-0-6	5
1		ETCHED CIRCUIT BOARD	5011678	4
1	J1	CONNECTOR	1210247	5
1	WI	INSULATED JUMPER WIRE	9009185	6

QTY	REF. DESIGNATION	DESCRIPTION	PART NO.	ITEM NO.

PARTS LIST

FIRST USED ON OPTION MODEL	DV11	ETCH BOARD REV.	C
----------------------------	------	-----------------	---

REV.	CHANGE NO.	REVISIONS

DEC NO.	EIA NO.	DEC NO.	EIA NO.

DRN	DATE
<i>[Signature]</i>	1/28/75
<i>[Signature]</i>	1/28/75
<i>[Signature]</i>	1/28/75
<i>[Signature]</i>	1/28/75
<i>[Signature]</i>	1/28/75
<i>[Signature]</i>	1/28/75

digital

TITLE: H325 TEST CONNECTOR

SIZE CODE: DCS

NUMBER: H325-0-1

REV. B

SEMICONDUCTOR CONVERSION CHART

SHEET	OF
1	1

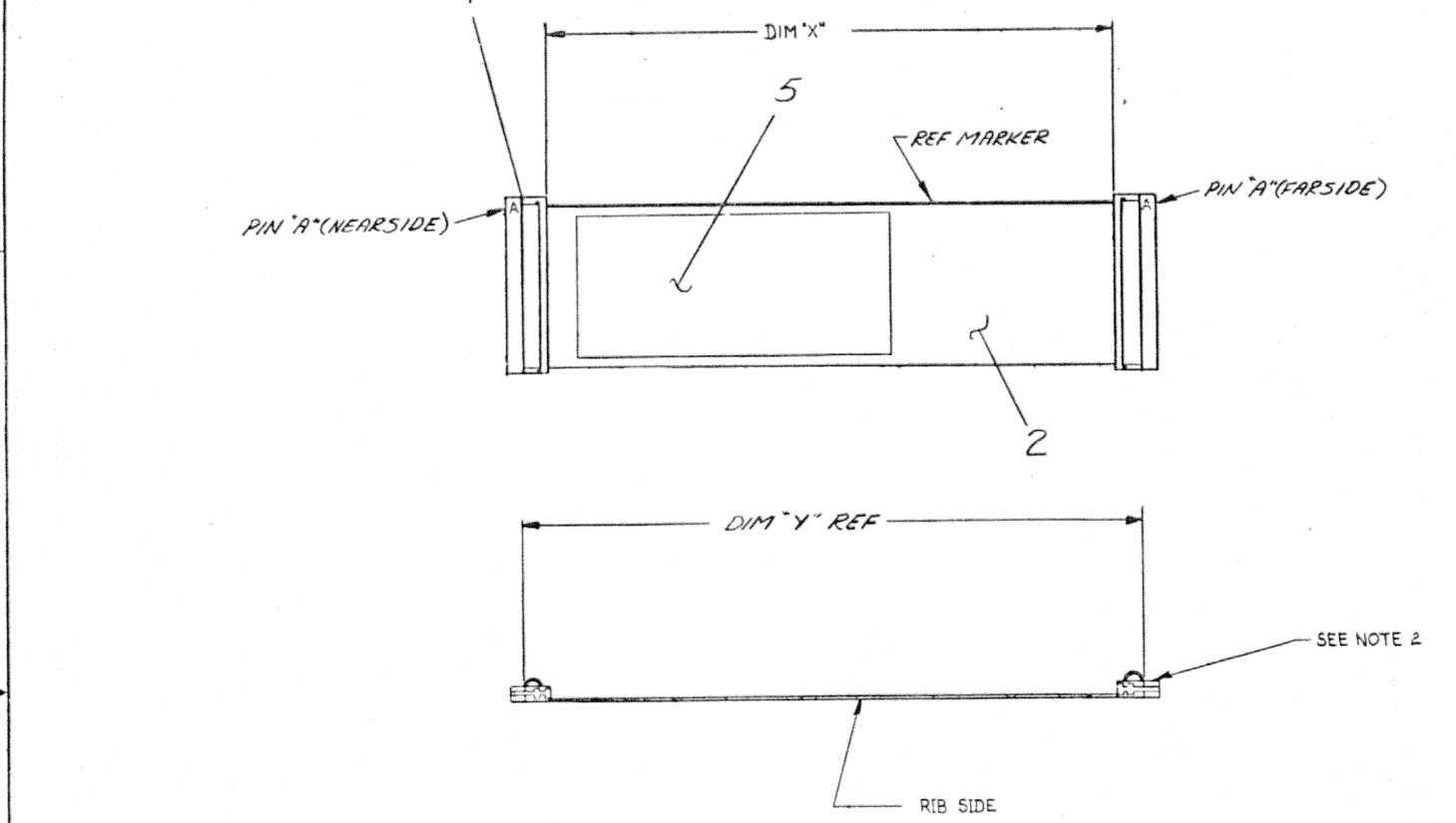
IC TYPE	GND	+5V

GND AND 5V ARE USUALLY PIN 7 AND 14 RESPECTIVELY EXCEPTIONS ARE STATED ABOVE

IC PIN LOCATIONS

REV. B
 H325-0-1
 DCS

Dimensions and specifications herein are the property of Digital Equipment Corporation and shall not be reproduced or copied or used in whole or in part as the basis for the manufacture of any item without written permission.



LEGEND		
NUMBER	DIM X VARIATION	DIM Y (PRECUT) REF
BC05L-0C	3 IN ± 0.5 IN	4.2 IN
BC05L-1C	15 IN ± 0.5 IN	16.2 IN
BC05L-1J	20 IN ± 1.0 IN	21.2 IN
BC05L-2	2 FT ± 0.5 IN	2 FT, 1.2 IN
BC05L-3	3 FT ± 0.5 IN	3 FT, 1.2 IN
BC05L-4	4 FT ± 0.5 IN	4 FT, 1.2 IN
BC05L-5	5 FT ± 0.5 IN	5 FT, 1.2 IN
BC05L-6	6 FT ± 0.5 IN	6 FT, 1.2 IN
BC05L-7	7 FT ± 1.0 IN	7 FT, 1.2 IN
BC05L-8	8 FT ± 1.0 IN	8 FT, 1.2 IN
BC05L-9	9 FT ± 1.0 IN	9 FT, 1.2 IN
BC05L-10	10 FT ± 2.0 IN	10 FT, 1.2 IN
BC05L-11	11 FT ± 2.0 IN	11 FT, 1.2 IN
BC05L-12	12 FT ± 2.0 IN	12 FT, 1.2 IN
BC05L-13	13 FT ± 2.0 IN	13 FT, 1.2 IN
BC05L-14	14 FT ± 2.0 IN	14 FT, 1.2 IN
BC05L-15	15 FT ± 0.5 IN	15 FT, 1.2 IN
BC05L-16	16 FT ± 1.0 IN	16 FT, 1.2 IN
BC05L-0E	5 IN ± 0.5 IN	6.2 IN
BC05L-20	20 FT ± 3.0 IN	20 FT, 1.2 IN ± 3 IN
BC05L-30	30 FT ± 6.0 IN	30 FT, 1.2 IN ± 6 IN
BC05L-50	50 FT ± 12.0 IN	50 FT, 1.2 IN ± 12 IN
BC05L-1K	21 IN ± 1.0 IN	22.3 IN
BC05L-0A	1 IN ± .25 IN	2.2 IN
BC05L-0I	1 FT ± 0.5 IN	13 IN
BC05L-2F	30 IN ± 1 IN	31.3 IN

NOTES:
 1. DELETED.
 2. PHYSICAL APPEARANCE OF CONNECTOR MAY BE DIFFERENT, DEPENDING ON VENDOR PART USED FOR DETAILED DESCRIPTION, REFER TO SPEC. *A-P5-1211206-0-0, LATEST REVISION.
 3. ASSEMBLE CABLE, POINT TO POINT WITH RIB SIDE DOWN, SUCH THAT "UU" ON ONE END IS "UU" ON THE OTHER END. THIS SHOULD NOT IMPLY A PHYSICAL TWIST IN THE CABLE TO BE ELECTRICALLY CORRECT.

CAUTION: OFF SHEET PARTS LIST EXISTS. REFER TO K-PL-BC05L-0-DBP.

CHK	CHANGE NO	REV	REVISIONS
PA	BC05L-00001	A	REVISED & REDRAWN
DMG	NO WAS DUA-BC05L-000	B	
EA	BC05L-00002	B	
J	HESS	9-21-72	
JK	BC05L-00003	C	
M	MUTNANSKY	1-6-73	
N	BC05L-00004	D	
O	BC05L-00005	E	
P	BC05L-00006	F	
Q	BC05L-00007	H	
R	BC05L-00008	J	
S	BC05L-00009	K	
T	BC05L-00010	L	
U	BC05L-00011	M	
V	BC05L-00012	N	
W	BC05L-00013	P	
X	BC05L-00014	R	
Y	BC05L-00015	S	
Z	BC05L-00016	T	

FIRST USED ON OPTION/MODEL	QTY.	DESCRIPTION	PART NO.	ITEM NO.
TU60				
UNLESS OTHERWISE SPECIFIED DIMENSION IN INCHES TOLERANCES				
DECIMALS	ANGLES	TITLE		
XXX - .005	± 30'	CABLE, JUMPER		
XX - .02		EQUIPMENT CORPORATION		
X - .03		MILWAUKEE WISCONSIN		
REMOVE BURRS AND BREAK SHARP CORNERS SURFACE QUALITY				
MATERIAL	SEE PARTS LIST	RECT HIGH PRESSURE	SIZE CODE	NUMBER
FINISH		D-UA-TU60-0-0	D UA	BC05L-0-0
		SCALE 1/1	SHEET 1 OF 1	REV T

SHO