

THIS DRAWING AND THE SPECIFICATIONS CONTAINED HEREIN ARE CONFIDENTIAL AND PROPRIETARY. THEY ARE THE PROPERTY OF DIGITAL EQUIPMENT CORPORATION AND SHALL NOT BE REPRODUCED OR COPIED OR USED IN WHOLE OR IN PART AS THE BASIS FOR MANUFACTURING OR SALE OF ITEMS WITHOUT WRITTEN PERMISSION. THIS IS AN UNPUBLISHED WORK PROTECTED UNDER THE FEDERAL COPYRIGHT LAWS.

FIELD MAINTENANCE PRINT SET

TABLE OF CONTENTS

K-TC-DPV11-0-1 FIELD MAINTENANCE PRINT SET
 K-DD-DPV11-0 DRAWING DIRECTORY DPV11
 K-PL-DPV11-0-0 DPV11 OPTION
 E-DD-M8020-0 DRAWING DIRECTORY (M8020)
 D-UA-M8020-0-0 DPV11
 K-PL-M8020-0-0 DPV11
 D-CS-M8020-0-1 DPV11 LOGIC DIAGRAM

UNIT VARIATIONS COVERED BY THIS PRINT SET

DPV11-M

DPV11

FIELD MAINTENANCE PRINT SET

DIGITAL EQUIPMENT CORPORATION

PRINT SET ORDER NO.

MP00992-01 REV A1

REVISION HISTORY			CONT. REVISION HISTORY			MADE BY: R. ROBICHAUD				
REVI	ECO NUMBER	DATE	REVI	ECO NUMBER	DATE	DATE: 26 SEP 83	d i s t r i b u t i o n			
A	INITIAL	26 SEP 83				CHECKED BY: J. FALKOWSKI	TITLE: FIELD MAINTENANCE PRINT SET			
						DATE: 26 SEP 83 <i>J. Falkowski</i>	DPV11			
						PROJECT ENGR: R. BERGERON				
						DATE: 26 SEP 83 <i>R. Bergeron</i>				
						RSPBLE ENGR: M. LAWRENCE				
						DATE: 26 SEP 83 <i>M. Lawrence</i>				
						FIELD SERVICE: S. CRANSTON	SIZE	CODE	DOCUMENT NUMBER	REV.
						DATE: 26 SEP 83 <i>S. Cranston</i>	K	TC	DPV11-0-1	A
							SHEET 1 OF 1			MK

"THE MATERIAL HEREIN IS FOR INFORMATION PURPOSES ONLY AND IS SUBJECT TO CHANGE WITHOUT NOTICE. DIGITAL EQUIPMENT CORPORATION ASSUMES NO RESPONSIBILITY FOR ANY ERRORS WHICH MAY APPEAR HEREIN."

DRAWING DIRECTORY

"THIS DRAWING AND SPECIFICATIONS, HEREIN, ARE THE PROPERTY OF DIGITAL EQUIPMENT CORPORATION AND SHALL NOT BE REPRODUCED OR COPIED OR USED IN WHOLE OR IN PART AS THE BASIS FOR THE MANUFACTURE OR SALE OF ITEMS WITHOUT WRITTEN PERMISSION. COPYRIGHT (C) 1983 DIGITAL EQUIPMENT CORPORATION"

FOR FIELD MAINTENANCE PRINT SET REFER TO K-TC-DPV11-0-1

UNIT VARIATIONS

VARIATION	TITLE
DPV11-M DPV11-AP	SINGLE LINE SYNC CNTRL BASE OPTION (M8020) SYSTEM INTEGRATED DPV11-M

REVISION HISTORY			USED ON OPTION/MODEL	RESPONSIBLE ENG. : M. LAWRENCE	INITIALS			
ENG	ECO NUMBER	REV		DATE : 26 SEP 83	d i s i t a l			
---	INITIAL	A	DPV11	MADE BY : R. ROBICHAUD DATE : 26 SEP 83				
				CHECKED BY : J. FALKOWSKI DATE : 26 SEP 83 12 OCT 83				
				DESIGN ENGINEER : R. BERGERON DATE : 26 SEP 83 27 OCT 83				
				PRODUCTION ENG. : W. LADNER DATE : 26 SEP 83 27 OCT 83				
				TITLE : DRAWING DIRECTORY				
				DPV11				
				SIZE : K	CODE : DD	DOCUMENT NUMBER : DPV11-0	REV. : A	
				SHEET : 1 OF 2	EDIT # 0001			

MK

F
I
N
D

T
Y
P
E

F
I
N
D

T
Y
P
E

# DRAWING NUMBER	DESCRIPTION	T Y P E	# DRAWING NUMBER	DESCRIPTION	T Y P E
1	MP00992-01 K-TC-DPV11-0-1 K-PL-DPV11-0-0 K-AR-CKCKREF-0-0	- - E/M -		FIELD MAINT PRINTSET DPV11 (MP) F.M.P.S. DPV11 (TC) DPV11 OPTION FLEXIBLE OPTION PLAN	
2	B-DD-MB020-0	-		DRAWING DIRECTORY DPV11	
3	K-PL-7018185-0-0	-		SHIPPING LIST DPV11	
4	B-DD-H3260-0	REF		TURNAROUND TESTER BOARD	

TYPE: E ELECTRICAL
M MECHANICAL
E/M ELECTRO/MECHANICAL

d i s t a l | TITLE
DRAWING DIRECTORY
DPV11

DRAWING DIRECTORY
DPV11

SIZE | CODE | DOCUMENT NUMBER | REV.
K | DD | DPV11-0 | A
SHEET 2 OF 2 | EDIT # 0001

MK

AUTOMATED BY PRTLST.4Q(50)

PARTS LIST

SHEET A1 OF A1

LINE ITEM	DOCUMENT NUMBER	PART NUMBER	DESCRIPTION	QUANTITY PER VARIATION	
				M	AP
1	D-UA-M8020-0-0	M8020-00	1-LINE PROG BIT STUFF/CHAR O-IEN	1	1
2	K-PL-CKDPV11-0-0	CKDPV11-00	CABKIT REF K-AR-CKCKREF-0-0	-	1
3	K-PL-7018185-0-0	7018185-01	SHIPPING LIST DPV11	A/R	-

4 NOTE: CKDPV11-00 IS A REFERENCE VARIANT ONLY. SEE K-AR-CKCKREF-0-0 FOR EXACT VARIANT APPLICATION.

REVISION HISTORY		BASIC PART NO: DPV11		DRN: R. ROBICHAUD	DATE: 26-SEP-83	DIGITAL		
ENG	ECO NUMBER	REV	SECTION A OF A	<i>J. Falkowski</i>	DATE: 25 OCT 83	TITLE	PARTS LIST	
---	INITIAL	A	SECTION, VARIATION INDEX	CHK'D: J. FALKOWSKI	DATE: 26-SEP-83	DPV11 OPTION		
			(A) M, AP			DOCUMENT NUMBER		
			(B)	DES. ENG.: R. BERGERON	DATE: 26-SEP-83			
			(C)	RESP. ENG.: M. LAWRENCE	DATE: 27-OCT-83			
			(D)			SIZE	CODE	NUMBER
			(E)	MFG. ENG.: W. LADNER	DATE: 27 OCT 83	K	PL	DPV11-0-0
			(F)	ASSEMBLY NUMBER:	TOP DOCUMENT NUMBER:	FILE NAME:		EDIT #
					K-DD-DPV11-0	MK1016.PLS		4

"THIS DRAWING AND SPECIFICATIONS HEREIN, ARE THE PROPERTY OF DIGITAL EQUIPMENT CORPORATION AND SHALL NOT BE REPRODUCED OR COPIED OR USED IN WHOLE OR IN PART AS THE BASIS FOR THE MANUFACTURE OR SALE OF ITEMS WITHOUT WRITTEN PERMISSION. COPYRIGHT (C) 1983, DIGITAL EQUIPMENT CORPORATION"

THIS DRAWING AND THE SPECIFICATIONS CONTAINED HEREIN ARE CONFIDENTIAL AND PROPRIETARY. THEY ARE THE PROPERTY OF DIGITAL EQUIPMENT CORPORATION AND SHALL NOT BE REPRODUCED OR COPIED OR USED IN WHOLE OR IN PART AS THE BASIS FOR MANUFACTURING OR SALE OF ITEMS WITHOUT WRITTEN PERMISSION. THIS IS AN UNPUBLISHED WORK PROTECTED UNDER THE FEDERAL COPYRIGHT LAWS.

DRAWING DIRECTORY

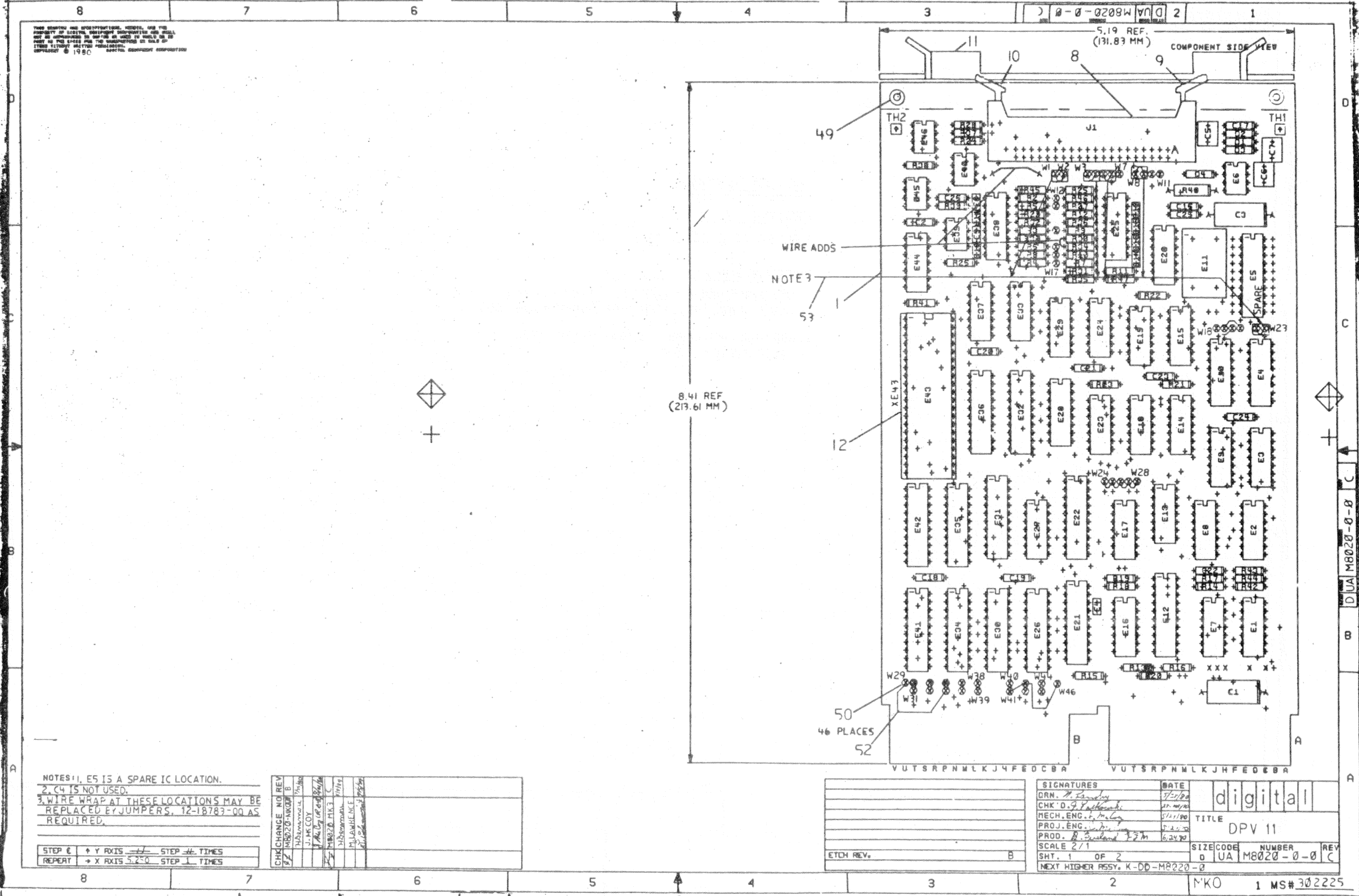
I T E M	DRAWING NO.	NO. OF SHTS	PART NO.	DESCRIPTION	T Y P E	REVISIONS			
						A	B	C	D
1			M8020	DPV11		A	B	C	D
2	D-UA-M8020-0-0	2		DPV11		A	B	B	C
3	D-CS-M8020-0-1	4		DPV11		A	B	C	C
4	K-PL-M8020-0-0	2		DPV11		A	B	C	D
5	K-PC-M8020-0-DBC			PC DESIGN DATA BASE		B	B	C	C
6			5013958	PC BOARD		B	B	B	B
7	D-MD-5013958-0-0	3		DRILL AND ETCH DRAWING		A	A	A	A
8	D-EC-5013958-0-0	3		ETCH CUT DRAWING		A	A	A	A

NOTES:

DD
REV A B C D

REVISION HISTORY			CONT. REVISION HISTORY			MADE BY: H. DENSMORE DATE: 16 MAY 80		d i g i t a l			
ENG	ECO NUMBER	REV	ENG	ECO NUMBER	REV	CHECKED BY: B. TREMBLAY DATE: 07 JULY 80 <i>J.F.</i>		TITLE DRAWING DIRECTORY			
--	INITIAL	A				DESIGN ENGINEER: J. MCCOY DATE: 30 MAY 80		DPV11			
	M8020-MK001	B				RESPONSIBLE ENG: J. MCCOY DATE: 30 MAY 80 <i>B. Cleveland 6-5ER84</i>					
	M8020-MK002	C				PRODUCTION ENG: B. CLEVELAND DATE: 30 MAY 80		SIZE	CODE	DOCUMENT NUMBER	REV.
	M8020-MK003	D						K	DD	M8020-0	D
								SHEET 1 OF 1		MKO	

THIS DRAWING AND SPECIFICATIONS, HEREIN, ARE THE PROPERTY OF ELECTRONIC COMPONENTS CORPORATION AND SHALL NOT BE REPRODUCED OR TRANSMITTED IN ANY FORM OR BY ANY MEANS, ELECTRONIC OR MECHANICAL, INCLUDING PHOTOCOPYING, RECORDING, OR BY ANY INFORMATION STORAGE AND RETRIEVAL SYSTEM, WITHOUT THE WRITTEN PERMISSION OF ELECTRONIC COMPONENTS CORPORATION. © 1980



NOTES: 1. E5 IS A SPARE IC LOCATION.
 2. C4 IS NOT USED.
 3. WIRE WRAP AT THESE LOCATIONS MAY BE REPLACED BY JUMPERS, 12-18783-00 AS REQUIRED.

STEP # + Y AXIS --- STEP # TIMES
 REPEAT + X AXIS 5.250 STEP 1 TIMES

CHANGE NO	REV	DATE	BY	CHK'D	APP'D
1	1	5/11/80	J. K. COY		
2	1	5/11/80			
3	1	5/11/80			
4	1	5/11/80			
5	1	5/11/80			
6	1	5/11/80			
7	1	5/11/80			
8	1	5/11/80			

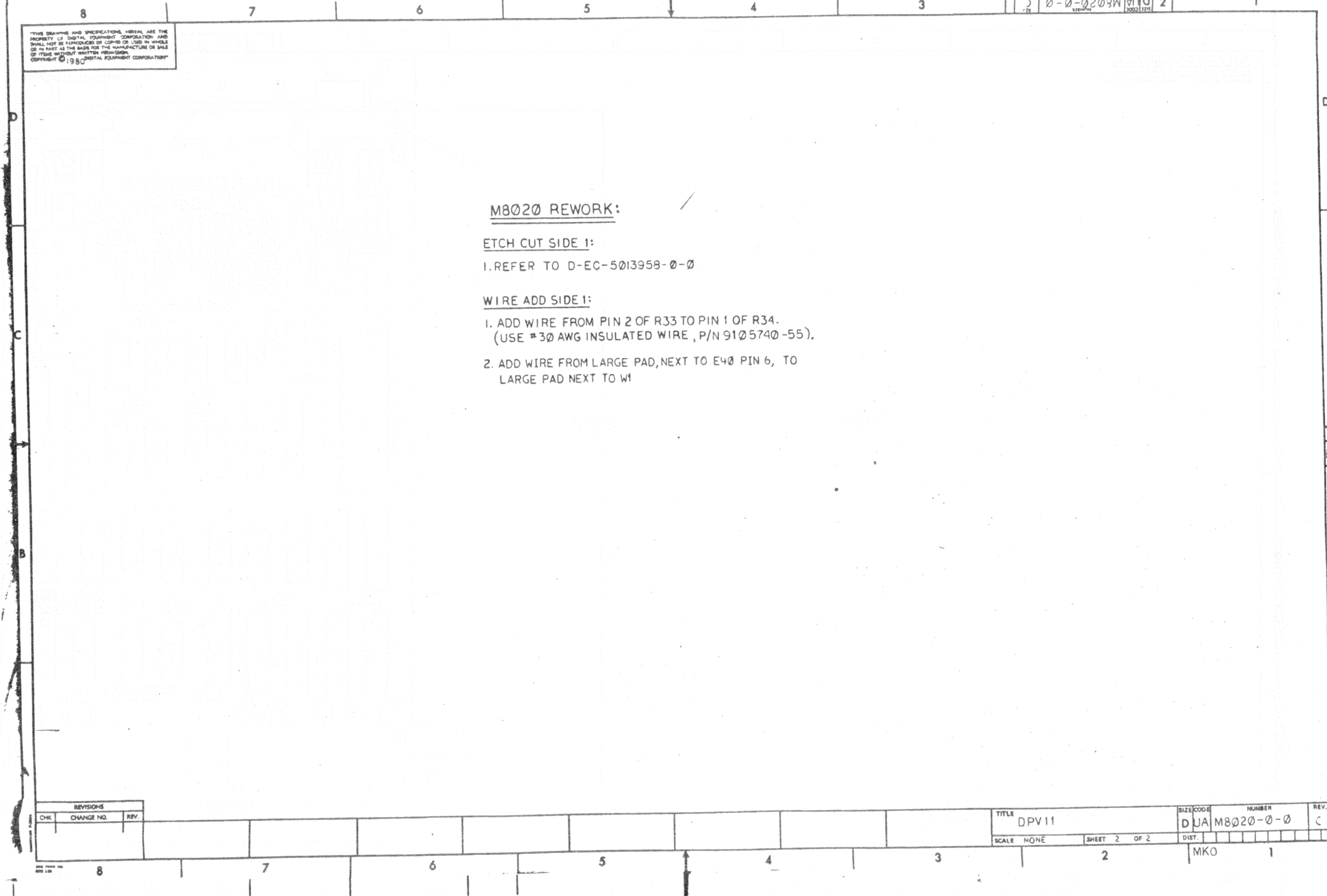
ETCH REV.	B
-----------	---

SIGNATURES	DATE	digital
DRN. M. Rowley	5/11/80	
CHK'D. J. Padgett	5/11/80	TITLE DPV 11
MECH. ENG. J. M. Co	5/11/80	
PROJ. ENG. J. M. Co	5/11/80	SIZE CODE NUMBER REV 0 UA M8020-0-0 C
PROD. B. Siskind	6/24/80	
SCALE 2/1		
SHT. 1 OF 2		
NEXT HIGHER ASSY. K-00-M8220-0		

M'KO 1 MS# 302225

THIS DRAWING AND SPECIFICATIONS HEREIN ARE THE PROPERTY OF DIGITAL EQUIPMENT CORPORATION AND SHALL NOT BE REPRODUCED OR COPIED OR USED IN WHOLE OR IN PART AS THE BASIS FOR THE MANUFACTURE OR SALE OF ITEMS WITHOUT WRITTEN PERMISSION. COPYRIGHT © 1980 DIGITAL EQUIPMENT CORPORATION

DJA M8020-0-0 2



M8020 REWORK:

ETCH CUT SIDE 1:

1. REFER TO D-EC-5013958-0-0

WIRE ADD SIDE 1:

1. ADD WIRE FROM PIN 2 OF R33 TO PIN 1 OF R34.
(USE #30 AWG INSULATED WIRE, P/N 9105740-55).
2. ADD WIRE FROM LARGE PAD, NEXT TO E40 PIN 6, TO
LARGE PAD NEXT TO W1

REVISIONS		
CHK	CHANGE NO.	REV.

TITLE DPV11

SIZE CODE NUMBER REV.
DJA M8020-0-0 C

SCALE NONE SHEET 2 OF 2

DIST. MKO

8

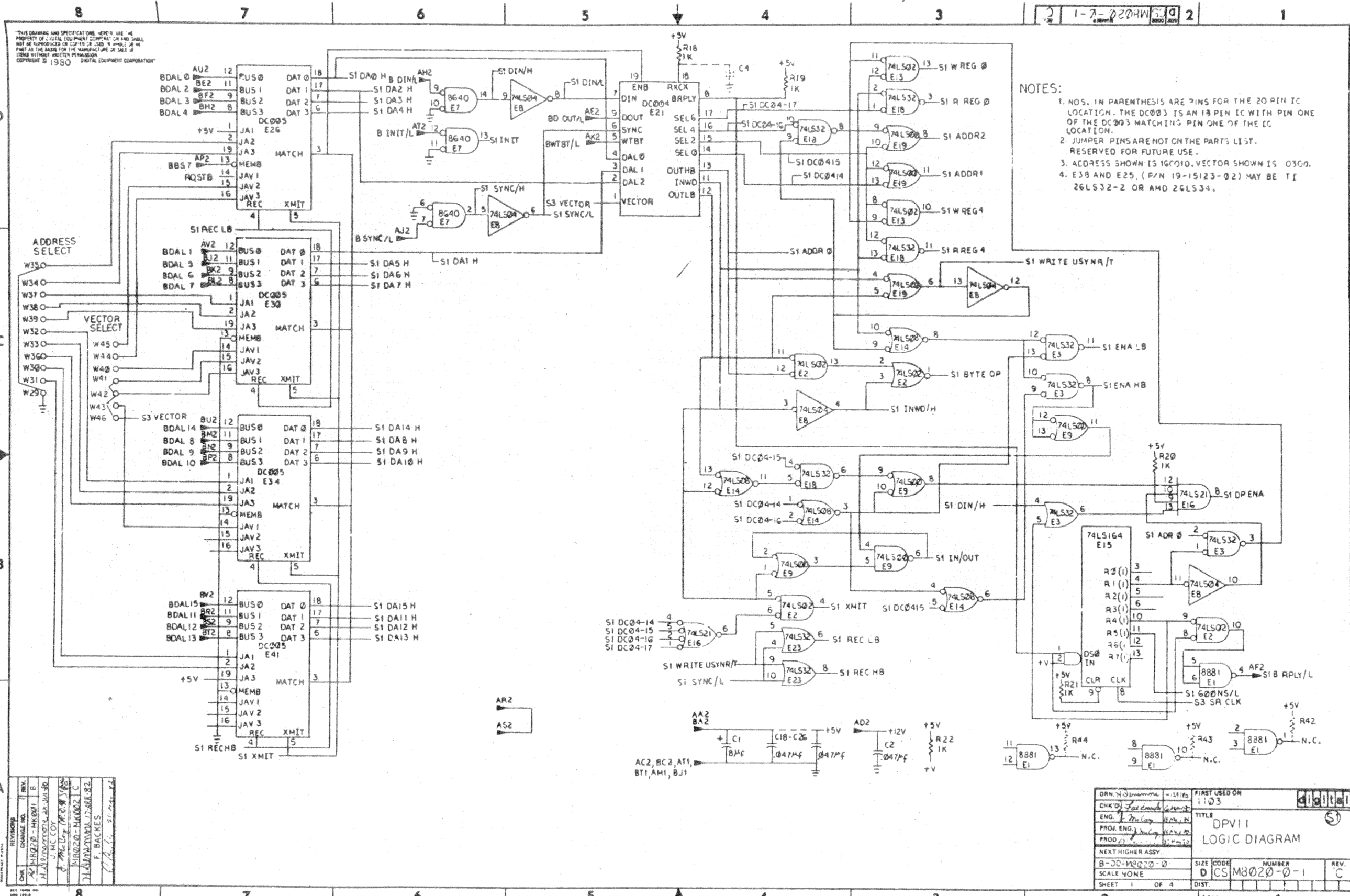
LINE	ITEM	TOP DOCUMENT	PART NUMBER	MIN REV	DESCRIPTION	QTY PER VARIATION	REFERENCE DESIGNATOR
					VARIATION REVISION LEVEL	00	
1	1	D-MD-5013958-0-0	5013958-00		DRILL AND ETCH BRD. DPV11	1	
2	2		1010279-00		.47 MFD 25V 20%	3	C5-C7
3	3		1011740-02		1800.0 MMF 50V 10%	8	C8-C15
4	4		1012084-01		8 MFD 25V +75-10%	2	C1,C3
5	5		1012784-00		.047 MFD 50V +80-20%	12	C2,C16-C26
6	6		1100114-00		PIV= 25 IO=135 MA	3	D1-D3
7	7		1109977-00		VZ= 4.3 5% 1N749A	1	D4
8	8		1209941-02		PCB,HEADER 40PIN(2X20),100CC 90D	1	J1
9	9		1209941-03		PCB,HEADER LATCH	1	
10	10		1209941-04		PCB,HEADER LATCH	1	
11	11		1213543-01		HANDLE,UNIBUS MODULE,MAGENTA	1	
12	12		1215006-08		SKT,IC 40PIN DIP TIN	1	XE43
13	13		1300228-00		100.0 .50 W 5.0 %	1	R40
14	14		1300229-00		100.0 .25 W 5.0 %	3	R2-R4
15	15		1300271-00		220.0 .25 W 5.0 %	8	R5-R12
16	16		1300295-00		330.0 .25 W 5.0 %	2	F13,R14
17	17		1300316-00		470.0 .25 W 5.0 %	1	R15
18	18		1300365-00		1.0 K .25 W 5.0 %	10	R18-R23,R41-R44
19	19		1300447-00		4.70 K .25 W 5.0 %	8	R24-R28,R45-R47
20	20		1301424-00		680.0 .25 W 5.0 %	2	R16,R17
21	21		1302391-00		20.0 K .25 W 5.0 %	3	R37-R39
22	22		1304837-00		24.0 K .25 W 5.0 %	8	H29-R36
23	23		1815860-00		OSCILLATOR, XTAL 19.6608 MHZ	1	E11
24	24		1909705-00		DEC 8881 NAND GATE-QUAD 2IN 0	1	E1
25	25		1911469-00		DEC 8640 RECEIVER,BUS,QUAD,U	1	E7
26	26		1912098-00		0026 DRIVER,MOS CLOCK,2	1	E6
27	27		1912697-00		LS174 FF-D HEX W/CLEAR	1	E28
28	28		1912729-00		DC 004 PROTOCOL,REG. SELECT	1	E21
29	29		1912730-00		DC 003 INTERRUPT,2 CIRCUIT	1	E12
30	30		1912799-00		LS00 NAND-GATE-QUAD 2IN,P	3	E9,E19,E20

REVISION HISTORY			BASIC PART NO: M8020	DRN: N.LANDRY	DATE: 06-FEB-80	DIGITAL		
ENGR	ECO NUMBER	REV	SECTION A OF A	CHK'D:	DATE:	TITLE	PARTS LIST	
JM	MK001	B	SECTION, VARIATION INDEX	<i>J. Falkowski</i>	30 AUG 84	DPV11		
FB	M8020-MK002	C	[A] 00	J. FALKOWSKI	14-APR-80			
ML	M8020-MK003	D	[B]					
			[C]	DES. ENG: J. MCCOY	06-FEB-80		DOCUMENT NUMBER	
			[D]				SIZE CODE NUMBER REV	
			[E]	RESP. ENG.: <i>B. Blanchette</i>	5-SEP-84			
			[F]	M. LAWRENCE	06-AUG-84	K PL M8020-0-0	D	
			[G]					
			[H]	MFG. ENG.: BAY EVELAND	06-AUG-84	RELEASE DATE: 06-AUG-84		
			[I]					
			[J]	ASSEMBLY NUMBER:	TOP DOCUMENT NUMBER:	FILE NAME:	EDIT #	
			[K]	D-UA-M8020-0-00	M8-DD-M8020-0	MK0083.PLS	18	
			[L]					
			[M]					
			[N]					

"THIS DRAWING AND THE SPECIFICATIONS CONTAINED HEREIN ARE CONFIDENTIAL AND PROPRIETARY. THEY ARE THE PROPERTY OF DIGITAL EQUIPMENT CORPORATION AND SHALL NOT BE REPRODUCED OR COPIED OR USED IN WHOLE OR IN PART AS THE BASIS FOR THE MANUFACTURE OR SALE OF ITEMS WITHOUT WRITTEN PERMISSION. THIS IS AN UNPUBLISHED WORK PROTECTED UNDER THE FEDERAL COPYRIGHT LAWS."

LINE	ITEM	TOP DOCUMENT	PART NUMBER	MIN REV	DESCRIPTION	QTY PER VARIATION	REFERENCE DESIGNATOR
						00	
						VARIATION REVISION LEVEL:	
31	31		1912P01-00		LS02 NOR-GATE-QUAD 2IN	2	E2,E13
32	32		1912P03-00		LS04 INVERTER GATE,HEX	2	E8,E44
33	33		1912P05-00		LS08 AND GATE-QUAD 2IN,PO	2	E14,E29
34	34		1912P11-00		LS21 AND GATE-DUAL 4IN,PO	1	E16
35	35		1912P16-00		LS32 OR GATE-QUAD 2IN,POS	3	E3,E18,E23
36	36		1912P20-00		LS51 A-C-I GATE 2-WIDE 2I	1	E37
37	37		1912P24-00		LS74 FF-D DUAL,EDGE TRIGG	3	E24,E27,E33
38	38		1912P50-00		LS164 SHIFT REG. 8BIT SERI	1	E15
39	39		1912P62-00		LS266 X-NOR GATE-QUAD,OPN,	1	E17
40	40		1912P63-00		LS273 FF-D OCTAL W/CLEAR	1	E22
41	41		1913040-00	DC	005 TRANSCEIVER 4BIT	4	F26,E30,E34,E41
42	42		1915123-02		26LS32-2 RECEIVER,LINE,12K T	2	E25,E38
43	43		1915193-00		LS244 DRIVER,LINE,OCTAL,T	3	E31,E32,E35
44	44		1915218-00		LS245 TRANSCEIVER,BUS,OCT	2	E36,E42
45	45		1915234-00		LS390 COUNTER,DECADE,DUAL,	2	E4,E10
46	46		1915415-00		9636 DRIVER,DUAL,EIA RS-	3	E39,E45,E46
47	47		1915417-00		9638 DRIVER,DUAL,ETA RS-	1	E40
48	48		2112517-00		LSI COMM. DEVICE,SYNCHRONOUS	1	E43
49	49		9006732-00		EYELET,ROLLED 0.1210DX0.219	2	
50	50		9009149-00		PIN,STAKNG 0.0250DX0.345LG SQUAR	46	W1-W46
51	51		9105740-55		WIRE(WRAP) 30AWG KYNAR UL14	A/R	
52	52		9105740-44		WIRE(WRAP) 30AWG KYNAR UL14	A/R	
53	53		1218783-00		JUMPER 02POS(1X02).100CC	5	

D I G I T A L	TITLE DPV11	SECTION A OF A	SIZE CODE K PL	DOCUMENT NUMBER M8020-0-0	REV D
---------------	----------------	----------------	-------------------	------------------------------	----------



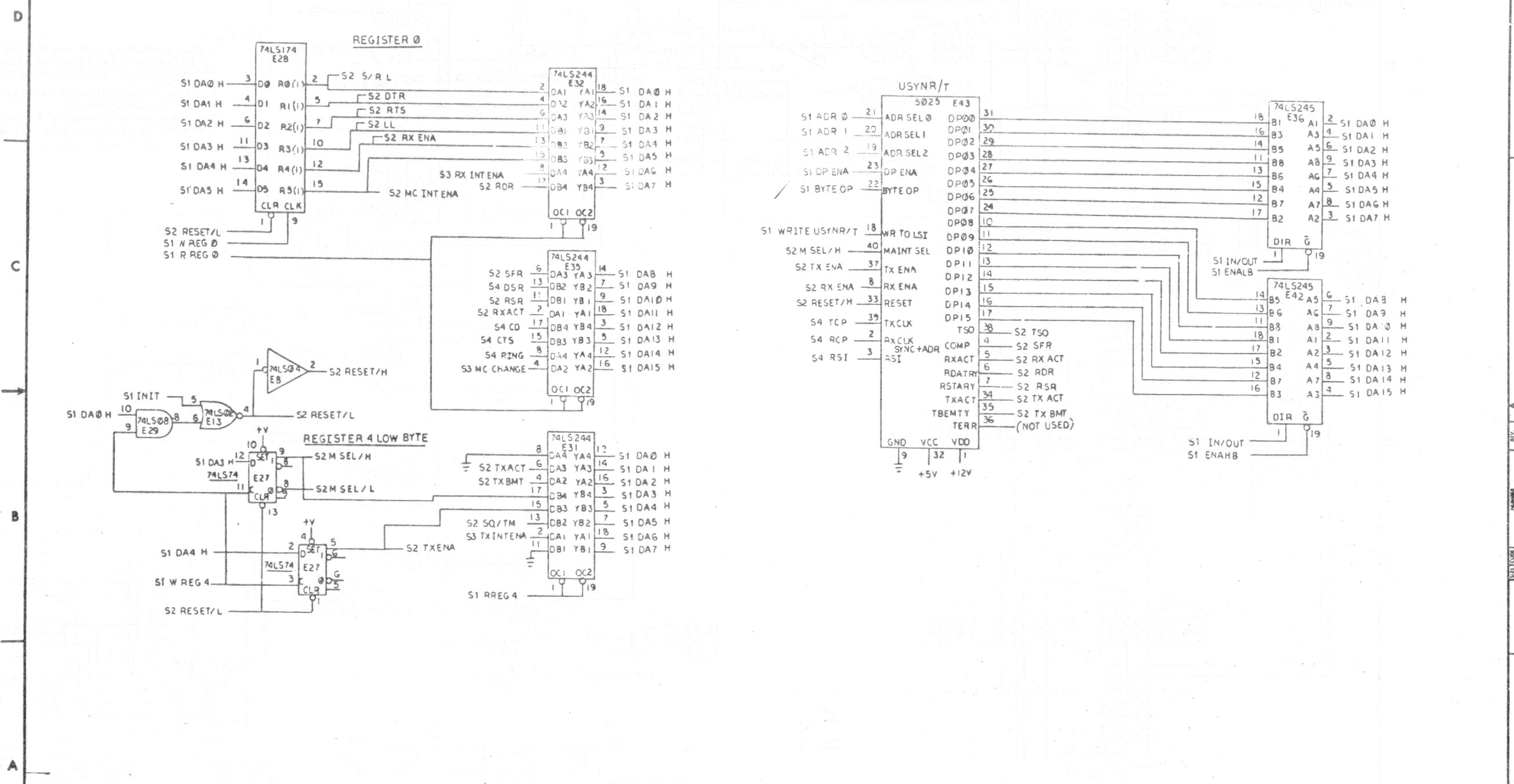
- NOTES:
1. NOS. IN PARENTESIS ARE PINS FOR THE 20 PIN IC LOCATION. THE DC003 IS AN 18 PIN IC WITH PIN ONE OF THE DC003 MATCHING PIN ONE OF THE IC LOCATION.
 2. JUMPER PINS ARE NOT ON THE PARTS LIST. RESERVED FOR FUTURE USE.
 3. ADDRESS SHOWN IS 16010. VECTOR SHOWN IS 0300.
 4. E38 AND E25. (P/N 19-15123-02) MAY BE TI 26LS32-2 OR AMD 26LS34.

THIS DRAWING AND SPECIFICATION HEREIN ARE THE PROPERTY OF DIGITAL EQUIPMENT CORPORATION AND SHALL NOT BE REPRODUCED OR COPIED IN ANY MANNER WITHOUT THE WRITTEN PERMISSION OF DIGITAL EQUIPMENT CORPORATION. COPYRIGHT © 1980

REV.	DATE	BY	CHKD.
1	11/17/78
2
3
4
5
6
7
8

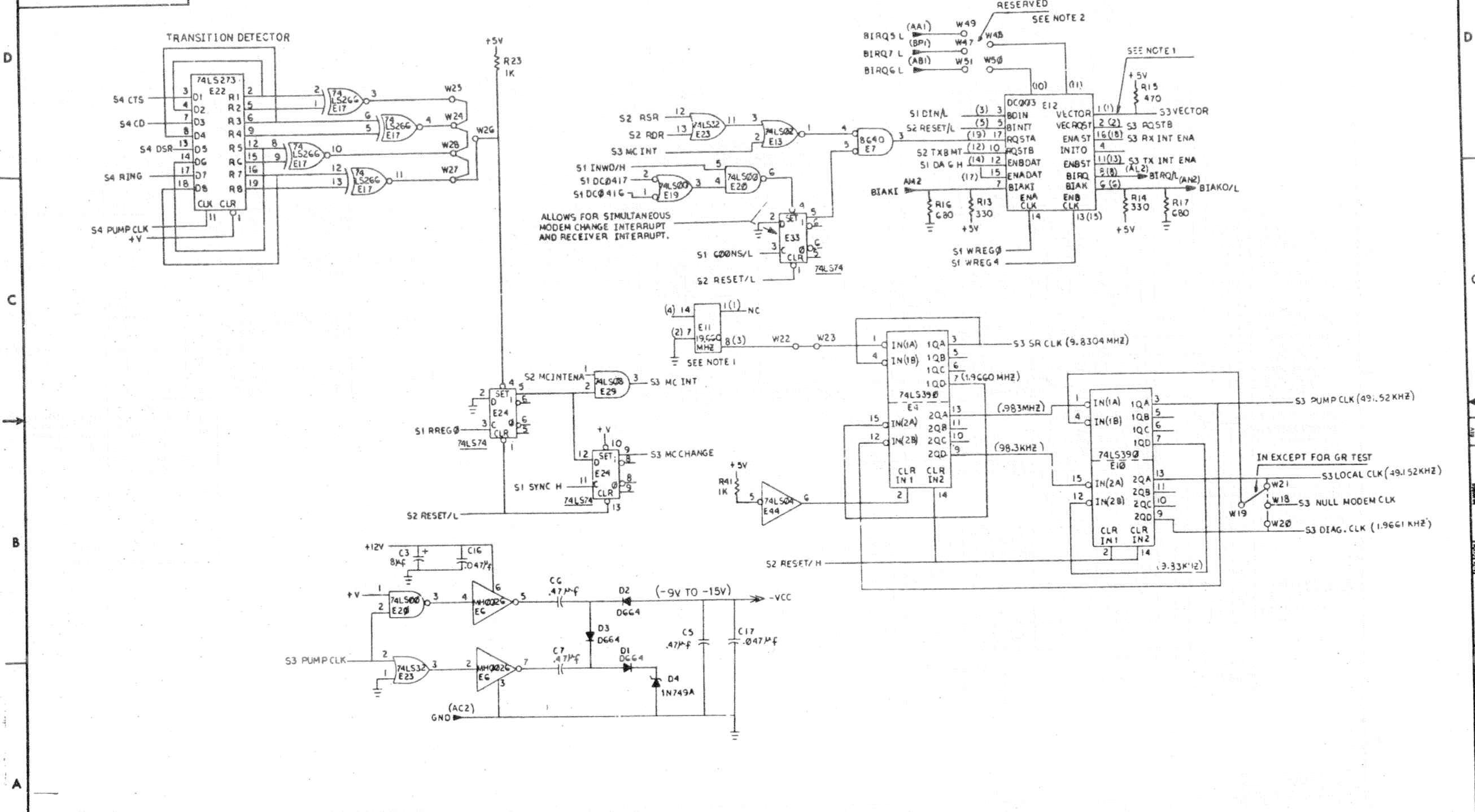
DRN. V. ...	FIRST USED ON	1103
CHKD. ...	TITLE	DPV11 LOGIC DIAGRAM
ENG. ...	PROJECT	...
PROD. ...	SCALE	NONE
NEXT HIGHER ASSY.	SIZE	D
B-DC-M8020-0	CODE	CS M8020-0-1
SHEET 1 OF 4	NUMBER	1
	REV.	C

M8020-0-1



REVISIONS			TITLE	SIZE CODE	NUMBER	REV.
CHK	CHANGE NO.	REV.	DPV II, LOGIC DIAGRAM	D CS	M8020-0-1	C
			SCALE NONE	SHEET 2 OF 4	DIST.	
8	7	6	5	4	3	2
						1
						MK

THIS DRAWING AND SPECIFICATIONS HEREIN ARE THE PROPERTY OF DIGITAL EQUIPMENT CORPORATION AND SHALL NOT BE REPRODUCED OR COPIED OR USED IN WHOLE OR IN PART AS THE BASIS FOR THE MANUFACTURE OR SALE OF ITEMS WITHOUT WRITTEN PERMISSION OF DIGITAL EQUIPMENT CORPORATION. COPYRIGHT © 1980

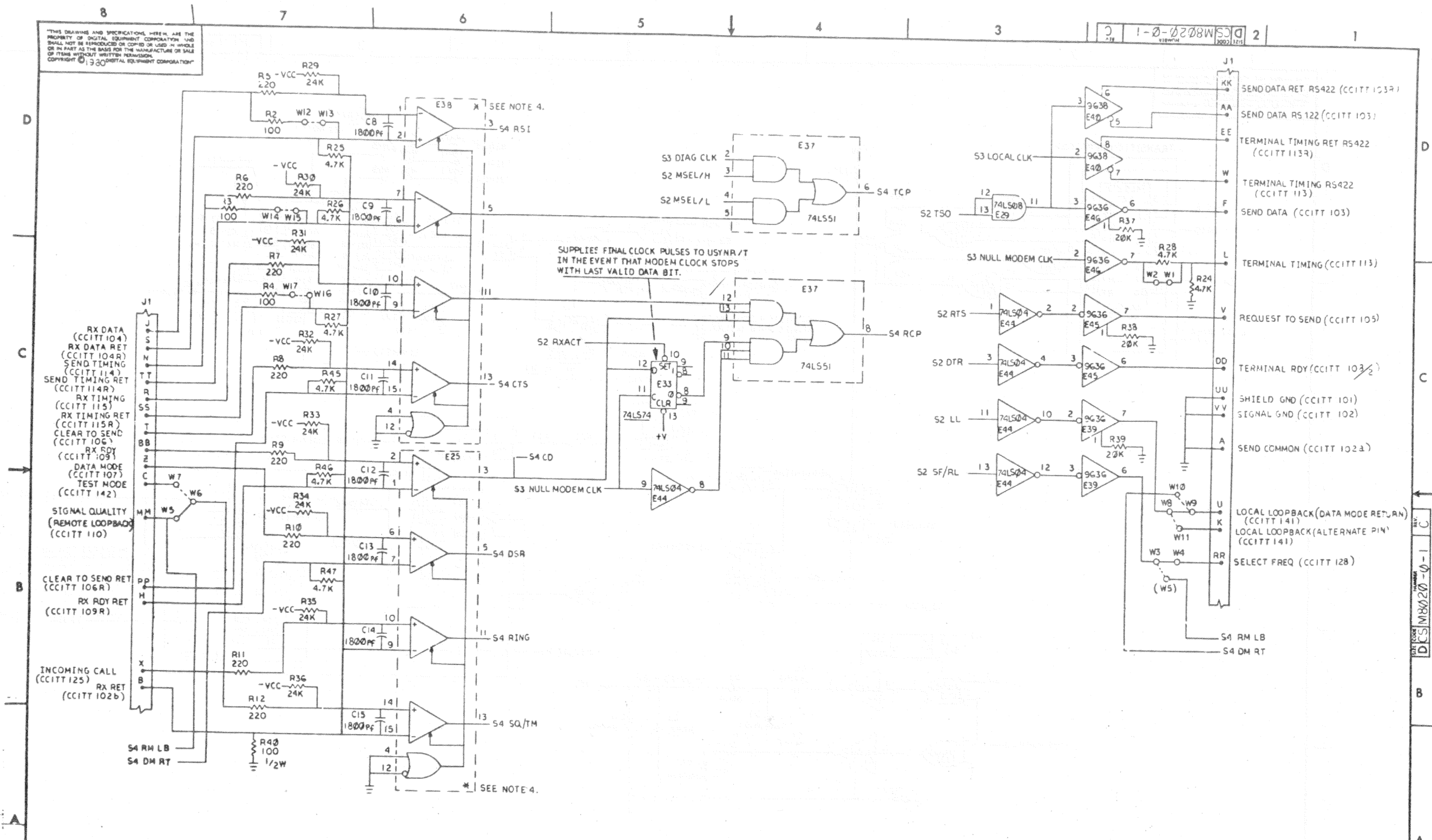


13

REVISIONS		
CHK	CHANGE NO.	REV.

TITLE	DPV II, LOGIC DIAGRAM	SIZE CODE	DCS	NUMBER	M8020-0-1	REV.	C
SCALE	NONE	SHEET	3	OF	4	DIST.	

THIS DRAWING AND SPECIFICATIONS HEREIN ARE THE PROPERTY OF DIGITAL EQUIPMENT CORPORATION AND SHALL NOT BE REPRODUCED OR COPIED OR USED IN WHOLE OR IN PART AS THE BASIS FOR THE MANUFACTURE OR SALE OF ITEMS WITHOUT WRITTEN PERMISSION. COPYRIGHT © 1980 DIGITAL EQUIPMENT CORPORATION



REVISIONS		
CHR.	CHANGE NO.	REV.

TITLE	DPV11, LOGIC DIAG. (AM)	SIZE/SCALE	4 OF 4	NUMBER	1	REV.	C
SCALE	NONE	SHEET	4 OF 4	DIST.			

14

DESIGN NUMBER: DES M8020-0-1



