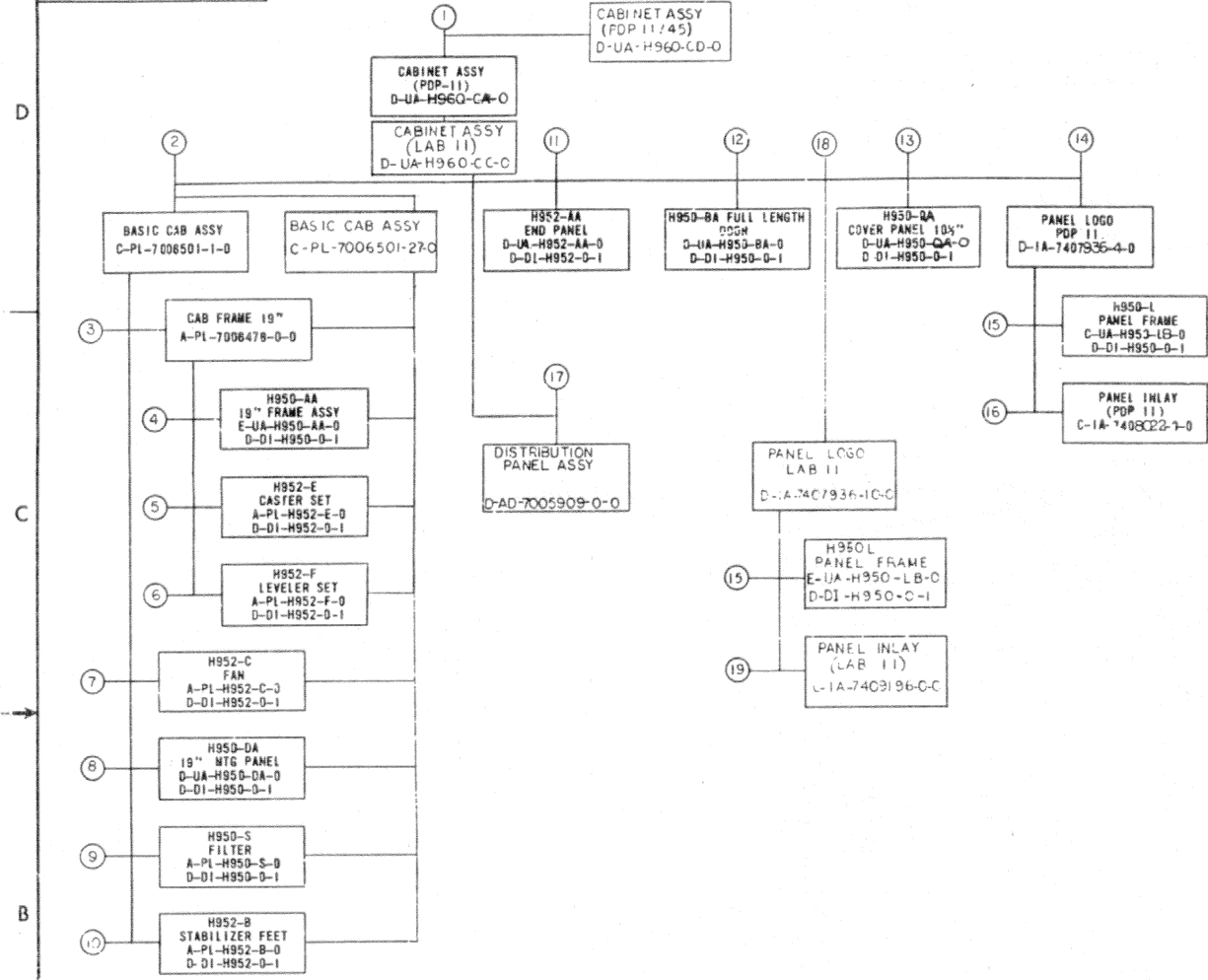


This drawing and specifications, herein, are the property of Digital Equipment Corporation and shall not be reproduced or copied or used in whole or in part as the basis for the manufacture or sale of items without written permission.



MECHANICAL			DEPT. USAGE		MECHANICAL			DEPT. USAGE	
FIND NO.	DESCRIPTION	PART NO.	PRODCUST	F/C	FIND NO.	DESCRIPTION	PART NO.	PRODCUST	F/C
1	CABINET ASSY CABINET ASSY (PL) CABINET ASSY (PL) CABINET ASSY (PL) CABINET ASSY (PL)	D-UA-H960-CA-0 A-PL-H960-CA-0 D-UA-H960-CC-0 A-PL-H960-CC-0 D-UA-H960-CD-0 A-PL-H960-CD-0			18	PANEL LOGO (LAB II)	D-IA-7407936-10-0		
2	BASIC CAB ASSY KICK PLATE	C-PL-7006501-1-0 C-MD-7406782-0-0			19	PANEL INLAY (LAB II)	C-IA-7407936-7-0 C-SS-7407936-0-1 C-SS-7407936-0-2 C-SS-7407936-0-3		
3	CAB FRAME ASSY	A-PL-7008478-0-0							
4	H950-AA FRAME ASSY H950-LA FRAME ASSY (PL) DWG INDEX H950	E-UA-H950-AA-0 A-PL-H950-AA-0 D-DI-H950-0-1							
5	H952-E CASTER SET DWG INDEX H952	A-PL-H952-E-0 D-DI-H952-0-1							
6	H952-F LEVELER SET DWG INDEX H952	A-PL-H952-F-0 D-DI-H952-0-1							
7	H952-C FAN DWG INDEX H952	A-PL-H952-C-0 D-DI-H952-0-1							
8	H950-DA MTG PANEL H950-DA MTG PANEL (PL) DWG INDEX H950	D-UA-H950-DA-0 A-PL-H950-DA-0 D-DI-H950-0-1							
9	H950-S FILTER	A-PL-H950-S-0 D-DI-H950-0-1							
10	H952-B STABILIZER FEET DWG INDEX H952	A-PL-H952-B-0 D-DI-H952-0-1							
11	H952-AA END PANEL H952-AA END PANEL (PL) DWG INDEX H952	A-PL-H952-AA-0 A-PL-H952-AA-0 D-DI-H952-0-1							
12	H950-BA FULL LENGTH DOOR H950-BA FULL LENGTH DOOR (PL) DWG INDEX H950	D-UA-H950-BA-0 A-PL-H950-BA-0 D-DI-H950-0-1							
13	H950-DA COVER PANEL H950-DA COVER PANEL (PL) DWG INDEX H950	D-UA-H950-DA-0 A-PL-H950-DA-0 D-DI-H950-0-1							
14	PANEL LOGO PDP 11	D-IA-7407936-4-0							
15	H950-LB PANEL FRAME H950-LB PANEL FRAME (PL) DWG INDEX H950	C-UA-H950-LB-0 A-PL-H950-LB-0 D-DI-H950-0-1							
16	PANEL INLAY SILK SCREEN SILK SCREEN SILK SCREEN	C-IA-7408022-0-0 C-SS-7408022-0-1 C-SS-7408022-0-1 C-SS-7408022-0-2							
17	DISTRIBUTION PANEL ASSY DIST PNL ASSY PL DIST PNL BACK DISTRIBUTION PANEL DECALS	D-AD-7005909-0-0 A-PL-7005909-0-0 C-MD-7406765-0-0 D-IA-7406764-0-0 A-UC-7406766-0-0							

REV	DATE	BY	CHK	DESCRIPTION
1	11/17/72	MORRIS		11/17/72
2	11/17/72	MORRIS		11/17/72
3	11/17/72	MORRIS		11/17/72
4	11/17/72	MORRIS		11/17/72
5	11/17/72	MORRIS		11/17/72
6	11/17/72	MORRIS		11/17/72
7	11/17/72	MORRIS		11/17/72
8	11/17/72	MORRIS		11/17/72

FIRST USED ON OPTION/MODEL PDP-11		DO NOT SCALE DRAWING UNLESS OTHERWISE SPECIFIED DIMENSION IN INCHES TOLERANCES DECIMALS FRACTIONS ANGLES ± .008 ± .004 ± 0°30' FINAL SURFACE QUALITY REMOVE BURRS AND BREAK SHARP CORNERS		DRN. DATE CHK'D. DATE ENGR. DATE PROL. DATE FROM DATE	
MATERIAL ++		NEXT HIGHER ASSY D-UA-PDP11-20-0		digital EQUIPMENT CORPORATION WATFORD MASSACHUSETTS TITLE DRAWING INDEX LIST (PDP11 CAB)	
FINISH ++		SCALE SHEET 1 OF 1		SIZE CODE DIST. G	

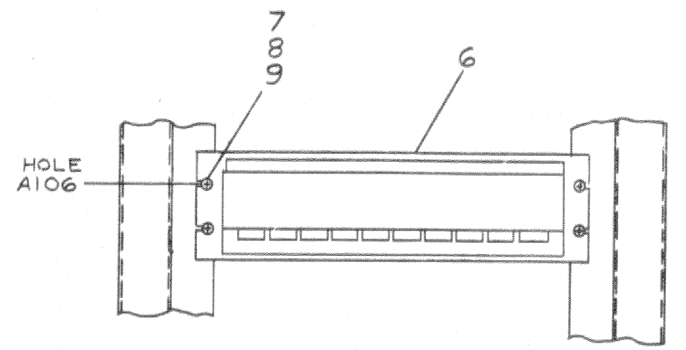
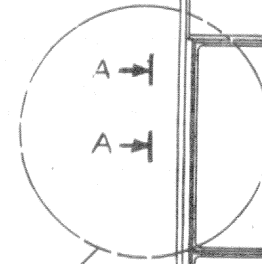
This drawing and specifications herein are the property of Digital Equipment Corporation and shall not be reproduced or copied or used in whole or in part as the basis for the manufacture or sale of items without written permission.

0-5-096H V1 d 2

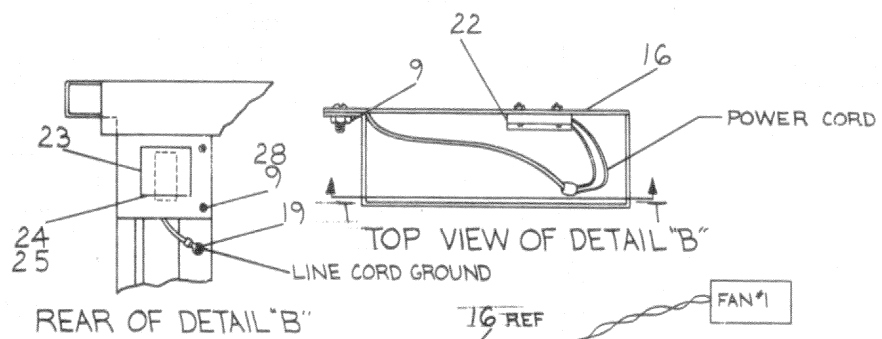
NOTES:

1. FOR DWG INDEX LIST REFER TO D-DI-H960-C-1
2. FOR ASSEMBLY INSTRUCTIONS SEE DWG. D-OC-H950-0-0 & D-OC-H952-0-0.
3. FOR INSTALLATION IN PDP II SYSTEM REFER TO DWG D-UA-PDP11-20-0.

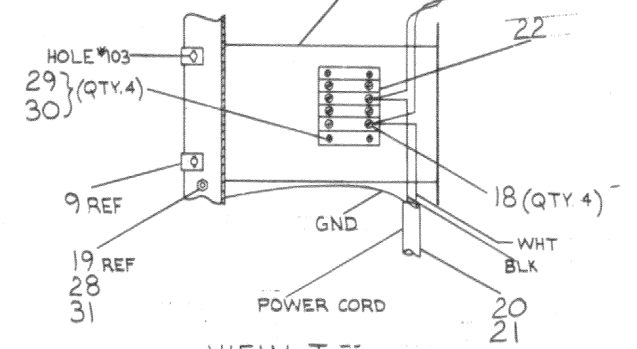
SEE DETAIL "B"



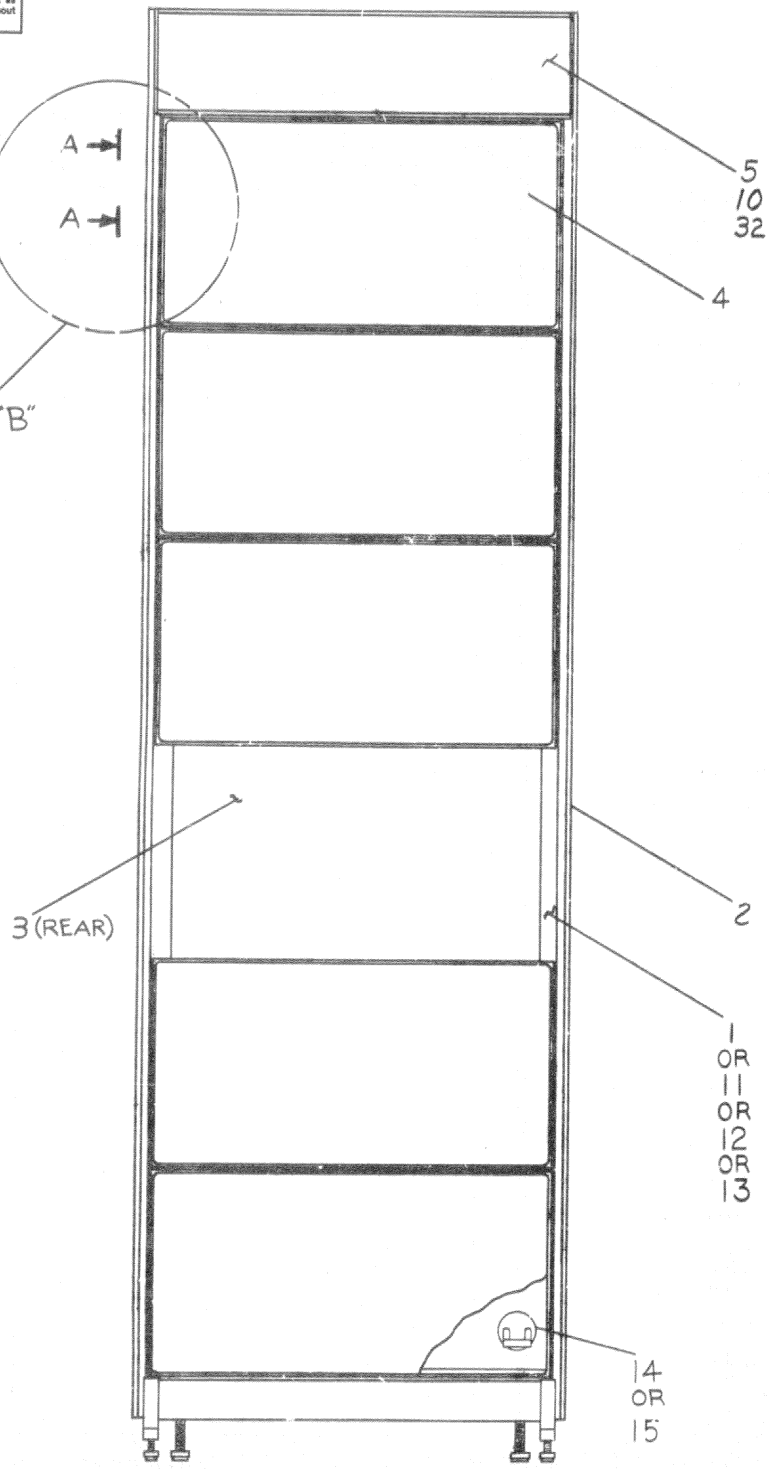
VIEW A-A
SCALE: NONE
VIEW SHOWN MINUS ITEMS 2 & 3



REAR OF DETAIL "B"



VIEW T-T
(FRONT OF DETAIL "B")
(115 V \pm 230V)
TERM \pm FAN WIRING



REV	CHANGE NO.	DATE	BY	CHK'D	APP'D
1	H960C-00001	10-24-71	W.A.D.	J.W.	W.A.D.
2	D-UA-H960-CA-0	9-24-71	W.A.D.	J.W.	W.A.D.
3	WEEKS	9-24-71	W.A.D.	J.W.	W.A.D.
4	H960C-00002	9-24-71	W.A.D.	J.W.	W.A.D.
5	B. MINOR	9-24-71	W.A.D.	J.W.	W.A.D.
6	H960C-00003	9-24-71	W.A.D.	J.W.	W.A.D.
7	B. MINOR	9-24-71	W.A.D.	J.W.	W.A.D.
8	H960-00004	9-24-71	W.A.D.	J.W.	W.A.D.
9	B. MINOR	9-24-71	W.A.D.	J.W.	W.A.D.
10	H960-C-00005	9-24-71	W.A.D.	J.W.	W.A.D.
11	B. MINOR	9-24-71	W.A.D.	J.W.	W.A.D.
12	H960-C-00006	9-24-71	W.A.D.	J.W.	W.A.D.
13	STEVEN VITE	9-24-71	W.A.D.	J.W.	W.A.D.
14	K. KNOWLES	9-24-71	W.A.D.	J.W.	W.A.D.

FIRST USED ON OPTION/ MODEL
PDP11

DO NOT SCALE DRAWING
UNLESS OTHERWISE SPECIFIED
DIMENSION IN INCHES
TOLERANCES
DECIMALS FRACTIONS ANGLES
 $\pm .005$ $\pm 1/64$ $\pm 0'30''$
FINAL SURFACE QUALITY
REMOVE BURRS AND BREAK SHARP CORNERS
MATERIAL
FINISH

QTY.	DESCRIPTION	PART NO.	ITEM NO.
PARTS LIST			
digital EQUIPMENT CORPORATION MAYNARD, MASSACHUSETTS			
TITLE CABINET ASSY (PDP11)			
NEXT HIGHER ASSY D-UA-PDP11-20-0		SIZE/CODE DUA	NUMBER H960-C-0
SCALE NONE	SHEET OF	DIST.	REV. F

DIGITAL EQUIPMENT CORPORATION
MAYNARD, MASSACHUSETTS
PARTS LIST

MADE BY P. MARCOTTE
 DATE 9/17/69
 ENG D. Nevala
 DATE 10/16/69
 CHECKED K. RUSS
 DATE 9/26/69
 PROD T. Macdonald
 DATE 10/17/69
 SECTION 1
 ISSUED SECT. 1

ITEM NO. DWG NO. / PART NO. DESCRIPTION

1	C-PL-7006501-1-0	BASIC CABINET ASSY 19" (115 VAC)
2	D-UA-H952-AA-0	PANEL, END H952-AA
3	D-UA-H950-BA-0	FULL LENGTH DOOR 19" (R.H.)
4	D-UA-H950-QA-0	COVER PANEL 10 1/2
5	D-IA-7407936-4-0	LOGO PDP 11
6	D-AD-7005909-0-0	DISTRIBUTION PANEL, ASSY
7	9006074-3	SCR PHL TRUSS HD #10-32 X 5/8 SST
8	90066635	LOCK WASHER INT TOOTH #10
9	90077786	NUT #C31758-1032-27 TINNERMAN
10	D-IA-7407936-10-0	PANEL LOGO LAB11
11	C-PL-7006501-02-0	BASIC CABINET ASSY 19"
12	C-PL-7006501-39-0	BASIC CABINET ASSY 19" (230 VAC)
13	C-PL-7006501-44-0	BASIC CABINET ASSY 19"
14	861-C	POWER CONTROL 115V SINGLE PHASE
45	861-B	POWER CONTROL 230V SINGLE PHASE
16	C-MD-7407607-0-0	PLATE JONES STRIP
17	C-IA-7008288-8	CABLE ASSY, 8' REMOTE
18	9007929-01	CONN SOLDERLESS #6 HOLE
19	9007928-01	CONN SOLDERLESS CRIMP #10 HOLE
20	1700016-9	POWER CORD, 9 FT. 230V
21	A-PS-17000006-9	POWER CORD TERM 9 FT. 115V
22	9009002	TERMINAL BLOCK - 4 TERMINALS

TITLE CABINET ASSY (PDP 11)
 ASSY NO. D-UA-H960-C -0
 SHEET 1 OF 2

DEC FORM NO. DRA 110

SIZE CODE A PL
 DIST. G
 NUMBER H960-C -0
 REV. ECO NO. F

X ML

DIGITAL EQUIPMENT CORPORATION
MAYNARD, MASSACHUSETTS
PARTS LIST

MADE BY P. MARCOTTE
 DATE 9/17/69
 ENG D. NEVALA
 DATE 10/16/69
 CHECKED K. RUSS
 DATE 9/26/69
 PROD T. MACDONALD
 DATE 10/17/69
 SECTION 1
 ISSUED SECT. 1

ITEM NO.	DWG NO. / PART NO.	DESCRIPTION
23	A-PS-3610267-00	DECAL HIGH VOLTAGE
24	A-BC-7407314-0-0	DECAL 115V, 60HZ
25	A-DC-7406574-0-0	DECAL 230V, 50HZ
26	9009002	BLOCK TERM.
27	H952-GA	STRIP ASSY FILLER
28	9009700-01	SCREW, SEMS, PHL TRUSS H.D.#10-32 x .50
29	9006025-1	SCREW, PHIL HD PAN 6-32 x .62
30	9006560	NUT KEPS #6-32
31	9006565	NUT KEPS #10-32
32	D-IA-7407936-1-0	LOGO PANEL PDP11 (BLANK)

TITLE CABINET ASSY (PDP-11)
 ASSY NO. D-UA-H960-C-0
 SHEET 2 OF 2

SIZE CODE A PL
 DIST. G
 NUMBER H960-C-0
 REV. ECO NO. F

DEC FORM DEC 16-(325)-1031-N870
 DRA 110

ML

PROCESSED BY THE BUREAU OF LAND MANAGEMENT

U.S. DEPARTMENT OF THE INTERIOR

WATER RESOURCES DIVISION

WATER RESOURCES DIVISION

WATER RESOURCES DIVISION

WATER RESOURCES DIVISION

WATER RESOURCES DIVISION

WATER RESOURCES DIVISION

WATER RESOURCES DIVISION

WATER RESOURCES DIVISION

WATER RESOURCES DIVISION

WATER RESOURCES DIVISION

WATER RESOURCES DIVISION

WATER RESOURCES DIVISION

WATER RESOURCES DIVISION

WATER RESOURCES DIVISION

WATER RESOURCES DIVISION

WATER RESOURCES DIVISION

WATER RESOURCES DIVISION

WATER RESOURCES DIVISION

WATER RESOURCES DIVISION

WATER RESOURCES DIVISION

WATER RESOURCES DIVISION

WATER RESOURCES DIVISION

WATER RESOURCES DIVISION

WATER RESOURCES DIVISION

WATER RESOURCES DIVISION

WATER RESOURCES DIVISION

WATER RESOURCES DIVISION

WATER RESOURCES DIVISION

WATER RESOURCES DIVISION

WATER RESOURCES DIVISION

WATER RESOURCES DIVISION

WATER RESOURCES DIVISION

WATER RESOURCES DIVISION

WATER RESOURCES DIVISION

WATER RESOURCES DIVISION

WATER RESOURCES DIVISION

WATER RESOURCES DIVISION

WATER RESOURCES DIVISION

WATER RESOURCES DIVISION

WATER RESOURCES DIVISION

WATER RESOURCES DIVISION

WATER RESOURCES DIVISION

WATER RESOURCES DIVISION

WATER RESOURCES DIVISION

WATER RESOURCES DIVISION