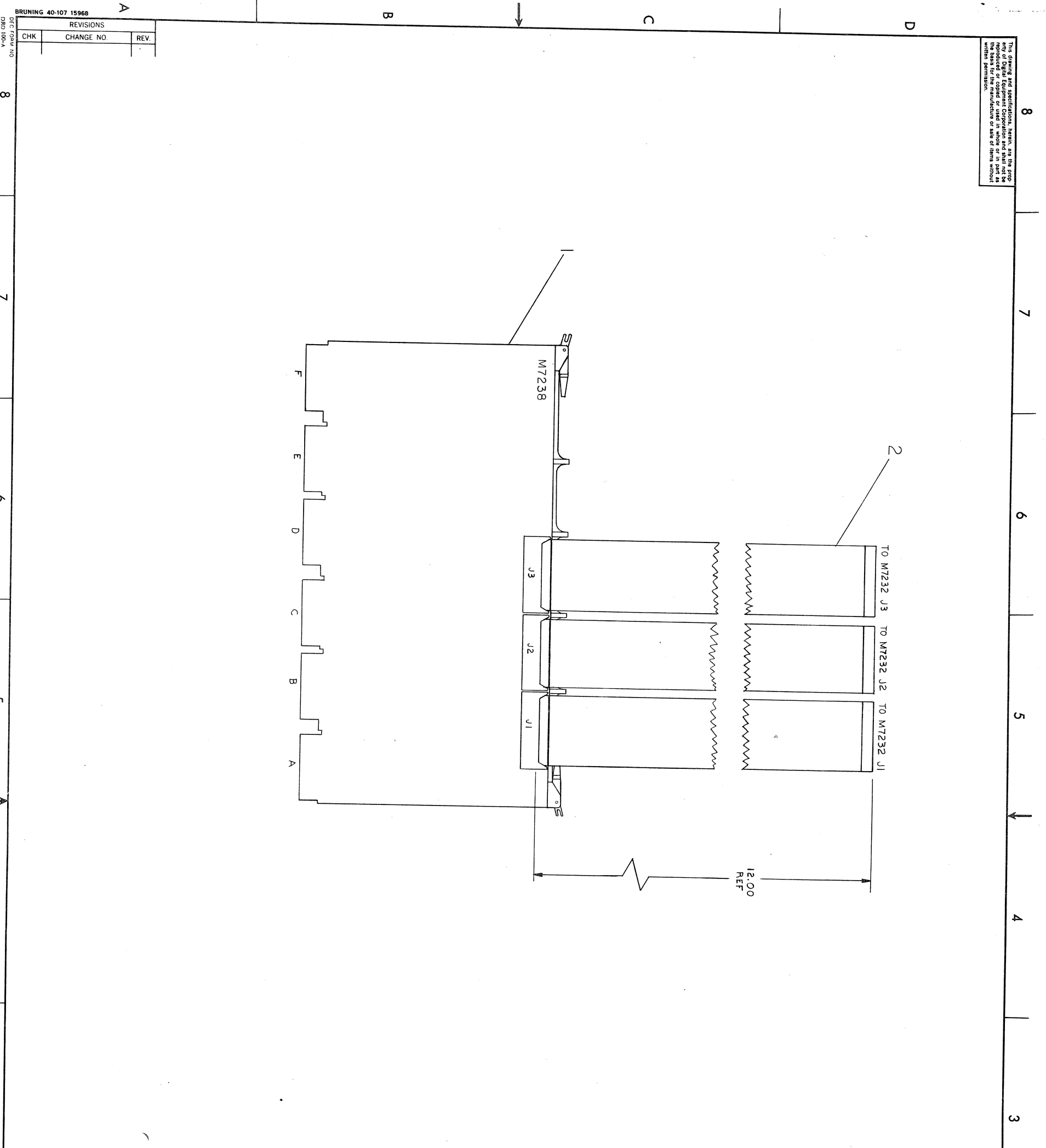


**KE11-E extended  
instruction set  
(EIS) option  
engineering drawings**

**digital equipment corporation • maynard, massachusetts**



This drawing and specifications remain the property of Digital Equipment Corporation and shall not be reproduced or copied in whole or in part as written permission.



- NOTES:
1. PLUG M7238 INTO SLOT A-F2 OF KD11-A SEE D-MU-KD11-A-MU
  2. INSTALL CABLES WITH SHIELD TOWARD M7238 MODULE.
  3. CUT W1 ON M7238 MODULE (TR DECODE)
  4. CUT W1, W2, W3 ON M7238 MODULE (E15) WHEN INSTALLING KE11-F OPTION.
  5. WHEN INSTALLING KE11-E OPTION, THE 1/4" TUCK SLACK BCS8R-01 CABLE LOOP DOWN IN FRONT OF SLOT 1 MODULE POSITION.
  6. FOR DRAWING DIRECTORY INFORMATION REFER TO DRAWING #B-DD-KE11-E

REV	DESCRIPTION	QTY	ITEM NO
1	E15 BOARD	1	1
2	I/O CABLE (BCØ8R)	2	2

DATE	8-23-72
CHKD	[Signature]
DATE	8-23-72
PROJ ENG	[Signature]
DATE	8-23-72
PROJ MGR	[Signature]
DATE	8-23-72

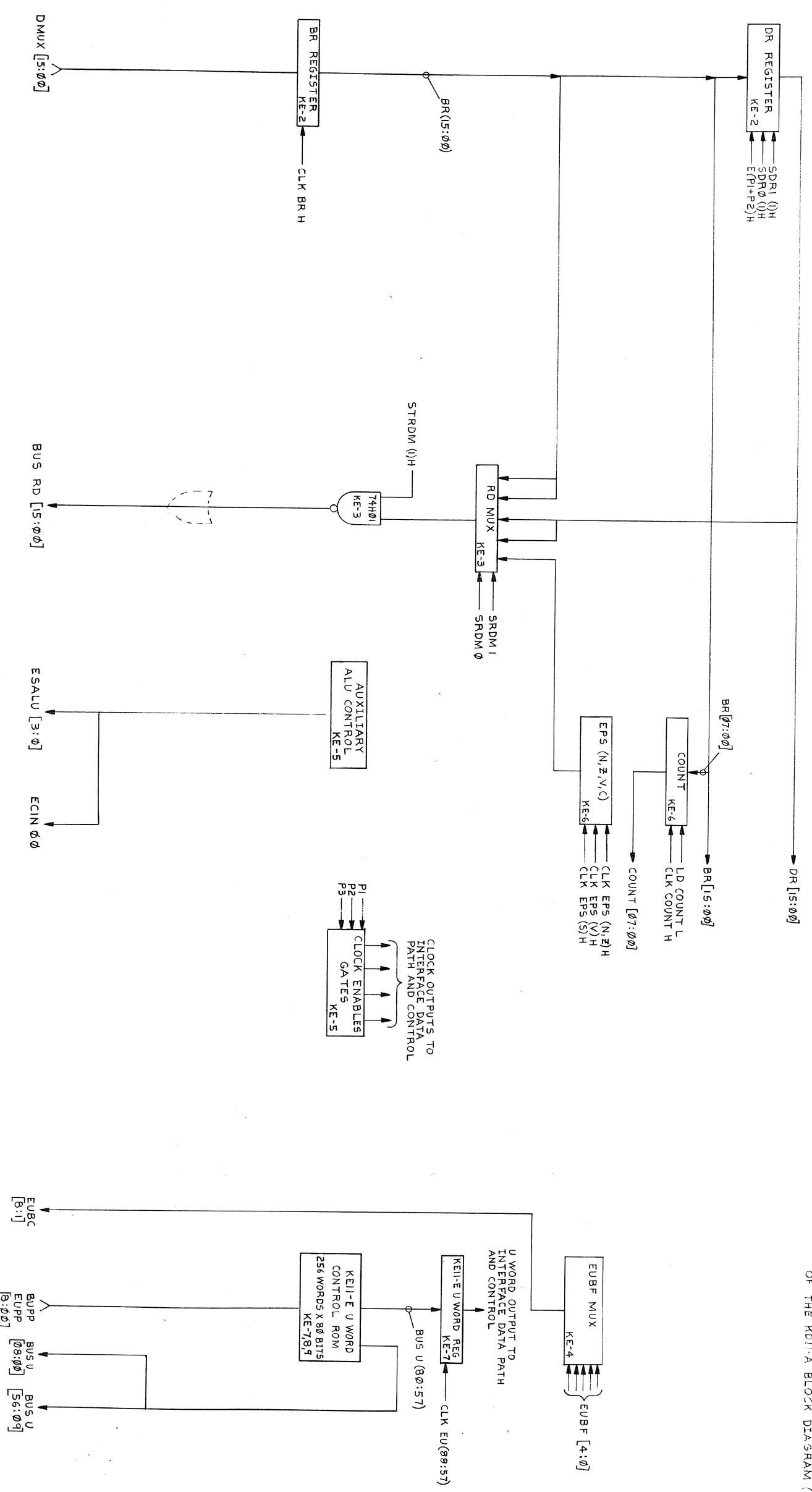
  

UNLESS OTHERWISE SPECIFIED	±0° 30'
DECIMALS	
ANGLES	
XXX = 005	
XX = 02	
X = .1	
REMOVE BURNS AND BREAK SHARP CORNERS. SURFACE QUALITY	
MATERIAL	
FINISH	
SCALE	NONE
SHEET	1 OF 1

SIZE CODE	DUA
NUMBER	KE11-E-Ø
REV.	

This drawing and specification herein are the property of Digital Equipment Corporation and shall not be reproduced or copied in whole or in part as written permission. 972



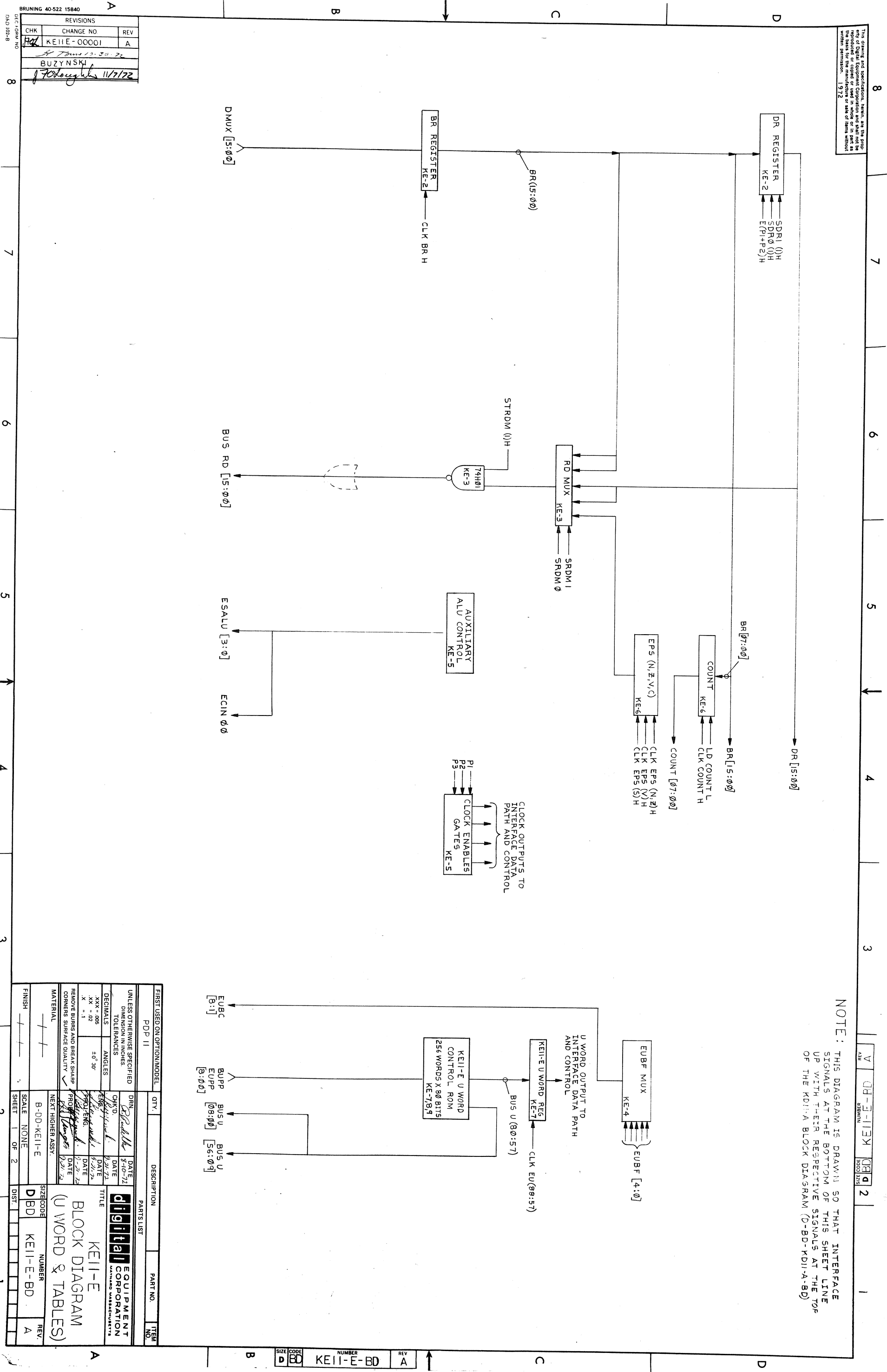
NOTE: THIS DIAGRAM IS DRAWN SO THAT INTERFACE SIGNALS AT THE BOTTOM OF THIS SHEET LINE UP WITH THEIR RESPECTIVE SIGNALS AT THE TOP OF THE K011-A BLOCK DIAGRAM (D-BD-K011-A-BD)

REVISIONS		
CHK	CHANGE NO	REV
KE11E	00001	A
BUZYNSKI		
11/7/72		

FIRST USED ON OPTION/MODEL		DESCRIPTION		PART NO.		ITEM NO.	
PDP 11							
UNLESS OTHERWISE SPECIFIED							
DIMENSION IN INCHES							
TOLERANCES							
DECIMALS	ANGLES						
XXX - .005	± 0° 30'						
XX - .02							
X - .1							
REMOVE BURRS AND BREAK SHARP CORNERS SURFACE QUALITY							
NEXT HIGHER ASSY.							
MATERIAL							
FINISH							
SCALE NONE							
SHEET 1 OF 2							
DIST							

PARTS LIST		PART NO.		ITEM NO.	
KE11-E		BLOCK DIAGRAM (U WORD & TABLES)		A	

SIZE CODE D ED NUMBER KE11-E-BD REV A









This document and its contents are the property of Digital Equipment Corporation and shall not be reproduced or copied in whole or in part as written without the express permission of Digital Equipment Corporation.

8

7

6

5

4

3

2

1

0

9

8

7

6

5

4

3

2

1

0

9

8

7

6

5

4

3

2

1

0

9

8

7

6

5

4

3

2

1

0

9

8

7

6

5

4

3

2

1

0

9

8

7

6

5

4

3

2

1

0

9

8

7

6

5

4

3

2

1

0

9

8

7

6

5

4

3

2

1

0

9

8

7

6

5

4

3

2

1

0

9

8

7

6

5

4

3

2

1

0

9

8

7

6

5

4

3

2

1

0

9

8

7

6

5

4

3

2

1

0

9

8

7

6

5

4

3

2

1

0

9

8

7

6

5

4

3

2

1

0

9

8

7

6

5

4

3

2

1

0

9

8

7

6

5

4

3

2

1

0

9

8

7

6

5

4

3

2

1

0

9

8

7

6

5

4

3

2

1

0

9

8

7

6

5

4

3

2

1

0

9

8

7

6

5

4

3

2

1

0

9

8

7

6

5

4

3

2

1

0

9

8

7

6

5

4

3

2

1

0

9

8

7

6

5

4

3

2

1

0

9

8

7

6

5

4

3

2

1

0

9

8

7

6

5

4

3

2

1

0

9

8

7

6

5

4

3

2

1

0

9

8

7

6

5

4

3

2

1

0

9

8

7

6

5

4

3

2

1

0

9

8

7

6

5

4

3

2

1

0

9

8

7

6

5

4

3

2

1

0

9

8

7



This drawing and specifications herein, are the property of Digital Equipment Corporation and shall not be reproduced, stored in a retrieval system, or transmitted in any form or by any means, electronic, mechanical, photocopying, recording, or by any information storage and retrieval system, without the prior written permission of Digital Equipment Corporation.

1972

8

7

6

5

4

3

2

1

8

7

6

5

4

3

2

1

8

7

6

5

4

3

2

1

8

7

6

5

4

3

2

1

8

7

6

5

4

3

2

1

8

7

6

5

4

3

2

1

8

7

6

5

4

3

2

1

8

7

6

5

4

3

2

1

8

7

6

5

4

3

2

1

8

7

6

5

4

3

2

1

8

7

6

5

4

3

2

1

8

7

6

5

4

3

2

1

8

7

6

5

4

3

2

1

8

7

6

5

4

3

2

1

8

7

6

5

4

3

2

1

8

7

6

5

4

3

2

1

8

7

6

5

4

3

2

1

8

7

6

5

4

3

2

1

8

7

6

5

4

3

2

1

8

7

6

5

4

3

2

1

8

7

6

5

4

3

2

1

8

7

6

5

4

3

2

1

8

7

6

5

4

3

2

1

8

7

6

5

4

3

2

1

8

7

6

5

4

3

2

1

8

7

6

5

4

3

2

1

8

7

6

5

4

3

2

1

8

7

6

5

4

3

2

1

8

7

6

5

4

3

2

1

8

7

6

5

4

3

2

1

8

7

6

5

4

3

2

1

8

7

6

5

4

3

2

1

8

7

6

5

4

3

2

1

8

7

6

5

4

3

2

1

8

7

6

5

4

3

2

1

8

7

6

5

4

3

2

1

8

7

6

5

4

3

2

1

8

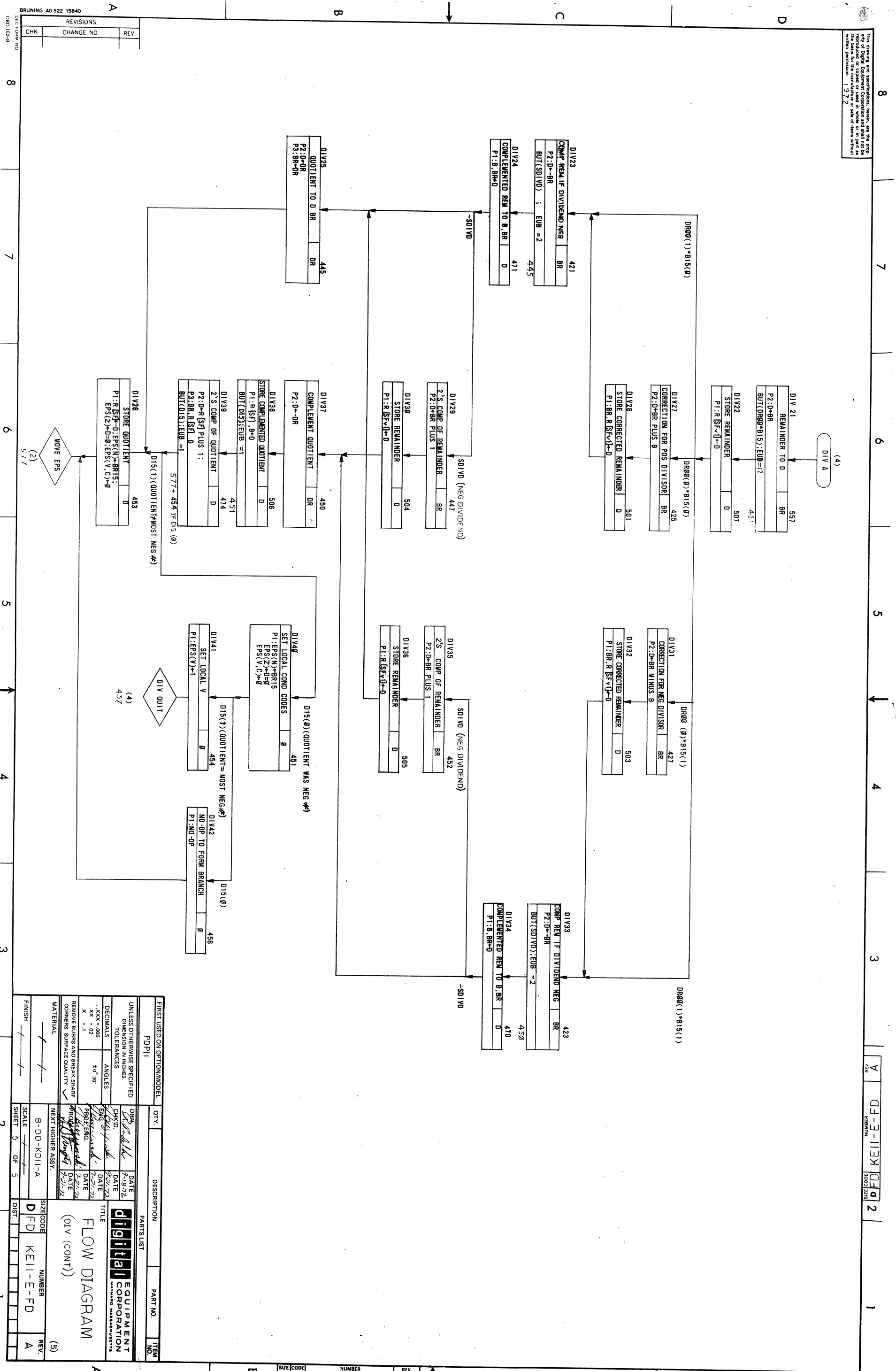
7

6

5

4

This drawing and specifications, herein, and the prop-  
rietary information contained herein, are the property  
of Digital Equipment Corporation and shall remain  
the property of Digital Equipment Corporation. No part  
of this drawing or specifications may be reproduced,  
copied, or used in whole or in part, in any  
manner, without the written permission of Digital  
Equipment Corporation. 1372



REVISIONS	
CHK	REV

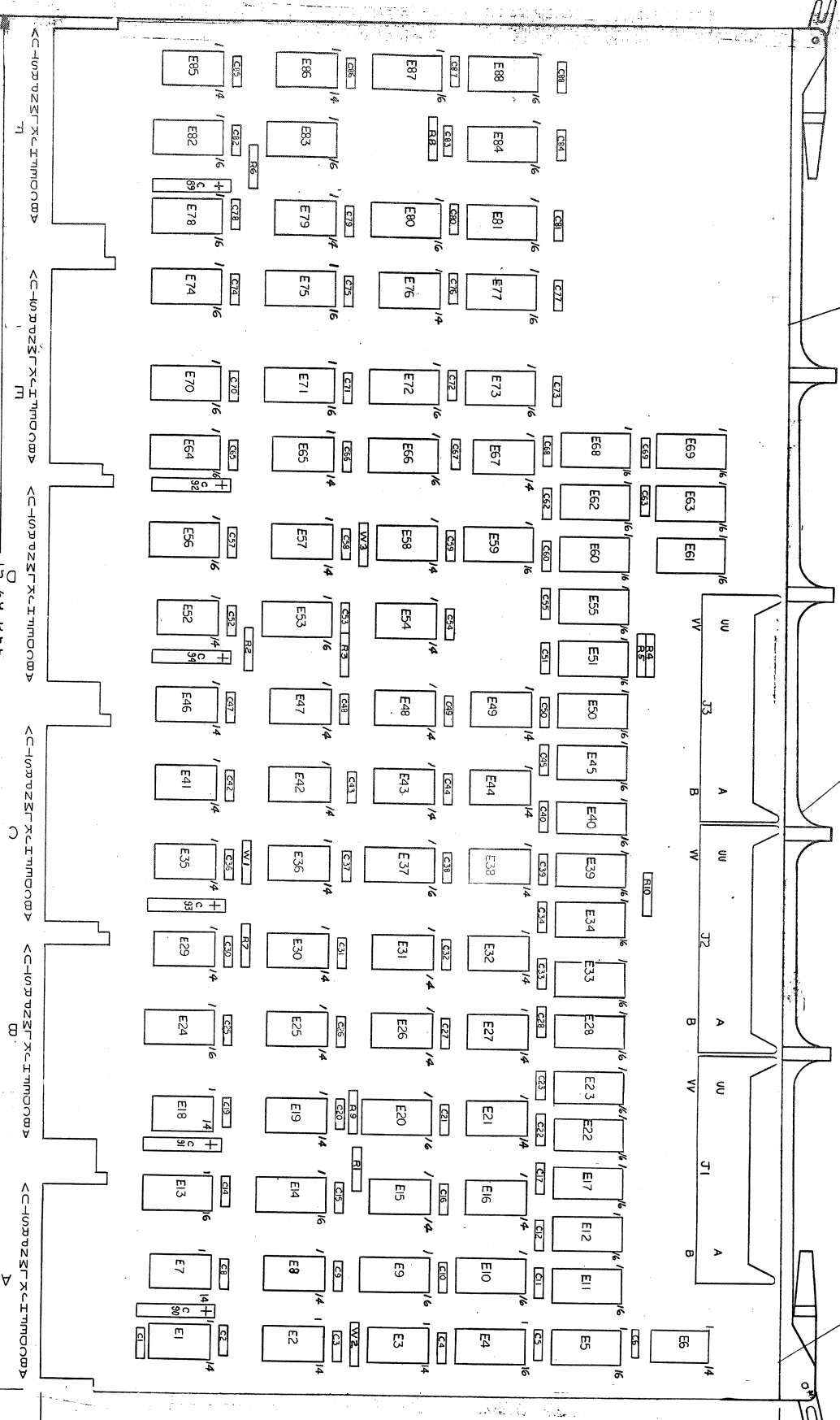
UNLESS OTHERWISE SPECIFIED DIMENSION IN INCHES TOLERANCES	DRN C. J. ... DATE 7-18-72
DECIMALS	ENG DATE 7-27-72
ANGLES	PROJ. ENG DATE 7-27-72
±.0005	DATE 7-27-72
±.001	DATE 7-27-72
±.002	DATE 7-27-72
±.005	DATE 7-27-72
±.01	DATE 7-27-72
±.02	DATE 7-27-72
±.05	DATE 7-27-72
±.1	DATE 7-27-72
REMOVE BURRS AND BREAK SHARP CORNERS SURFACE QUALITY	DATE 7-27-72
NEXT HIGHER ASSY.	DATE 7-27-72
MATERIAL	DATE 7-27-72
FINISH	DATE 7-27-72
SCALE	DATE 7-27-72
SHEET 5 OF 5	DATE 7-27-72
SIZE CODE	DATE 7-27-72
NUMBER	DATE 7-27-72
REV. A	DATE 7-27-72

FD	KE11-E-FD
REV. A	

This drawing and specifications herein, are the property of Digital Equipment Corporation and shall remain the property of Digital Equipment Corporation. No part of this drawing or specifications may be reproduced or transmitted in any form or by any means, electronic, mechanical, photocopying, recording, or by any information storage and retrieval system, without the prior written permission of Digital Equipment Corporation.

**NOTES:**

- PIN NOTATION THROUGHOUT IS ORDERED UPON MODULE PLACEMENT IN THE K01-A PROCESSOR. MODULE REFERENCE ALONE IS OBTAINED BY DELETING THE NUMBER (SLOT LOCATION) AFTER THE FIRST LETTER.
- ALL SIGNALS THAT HAVE MODULE PINS ARE SO NOTED. OUTPUT SIGNALS WITH MODULE PINS ARE BROUGHT TO THE RIGHT SIDE OF THE PRINT.
- PROCESSOR SIGNAL PREFIX NOTATION (KE-I FOR EXAMPLE) IDENTIFIES THE SIGNAL SOURCE (PRINT AND MODULE). THE FIRST NUMBER AFTER THE K INDICATES THE MODULE PRINT SET WHILE THE SECOND INDICATES THE SHEET WITHIN THE SET. SIGNALS WITH A BUS PREFIX REPRESENT A WIRED OR SITUATION, AND MULTIPLE SOURCES FOR THE SIGNAL CAN EXIST.
- UNLESS OTHERWISE NOTED: RESISTANCE IS IN OHMS; CAPACITANCE IS IN PICOFARADS.
- 74H01-1 IS A DIRECT REPLACEMENT FOR THE 74H01 (#1910176).



A02A2, B02A2  
C02A2, D02A2  
E02A2, F02A2

C1	THRU	C6	THRU	C12	THRU	C18	THRU	C24	THRU	C30	THRU	C36	THRU	C42	THRU	C48	THRU	C54	THRU	C60	THRU	C66	THRU	C72	THRU	C78	THRU	C84	THRU	C90	THRU	C96	THRU	C102	THRU	C108	THRU	C114	THRU	C120	THRU	C126	THRU	C132	THRU	C138	THRU	C144	THRU	C150	THRU	C156	THRU	C162	THRU	C168	THRU	C174	THRU	C180	THRU	C186	THRU	C192	THRU	C198	THRU	C204	THRU	C210	THRU	C216	THRU	C222	THRU	C228	THRU	C234	THRU	C240	THRU	C246	THRU	C252	THRU	C258	THRU	C264	THRU	C270	THRU	C276	THRU	C282	THRU	C288	THRU	C294	THRU	C300	THRU	C306	THRU	C312	THRU	C318	THRU	C324	THRU	C330	THRU	C336	THRU	C342	THRU	C348	THRU	C354	THRU	C360	THRU	C366	THRU	C372	THRU	C378	THRU	C384	THRU	C390	THRU	C396	THRU	C402	THRU	C408	THRU	C414	THRU	C420	THRU	C426	THRU	C432	THRU	C438	THRU	C444	THRU	C450	THRU	C456	THRU	C462	THRU	C468	THRU	C474	THRU	C480	THRU	C486	THRU	C492	THRU	C498	THRU	C504	THRU	C510	THRU	C516	THRU	C522	THRU	C528	THRU	C534	THRU	C540	THRU	C546	THRU	C552	THRU	C558	THRU	C564	THRU	C570	THRU	C576	THRU	C582	THRU	C588	THRU	C594	THRU	C600	THRU	C606	THRU	C612	THRU	C618	THRU	C624	THRU	C630	THRU	C636	THRU	C642	THRU	C648	THRU	C654	THRU	C660	THRU	C666	THRU	C672	THRU	C678	THRU	C684	THRU	C690	THRU	C696	THRU	C702	THRU	C708	THRU	C714	THRU	C720	THRU	C726	THRU	C732	THRU	C738	THRU	C744	THRU	C750	THRU	C756	THRU	C762	THRU	C768	THRU	C774	THRU	C780	THRU	C786	THRU	C792	THRU	C798	THRU	C804	THRU	C810	THRU	C816	THRU	C822	THRU	C828	THRU	C834	THRU	C840	THRU	C846	THRU	C852	THRU	C858	THRU	C864	THRU	C870	THRU	C876	THRU	C882	THRU	C888	THRU	C894	THRU	C900	THRU	C906	THRU	C912	THRU	C918	THRU	C924	THRU	C930	THRU	C936	THRU	C942	THRU	C948	THRU	C954	THRU	C960	THRU	C966	THRU	C972	THRU	C978	THRU	C984	THRU	C990	THRU	C996	THRU	C1002	THRU	C1008	THRU	C1014	THRU	C1020	THRU	C1026	THRU	C1032	THRU	C1038	THRU	C1044	THRU	C1050	THRU	C1056	THRU	C1062	THRU	C1068	THRU	C1074	THRU	C1080	THRU	C1086	THRU	C1092	THRU	C1098	THRU	C1104	THRU	C1110	THRU	C1116	THRU	C1122	THRU	C1128	THRU	C1134	THRU	C1140	THRU	C1146	THRU	C1152	THRU	C1158	THRU	C1164	THRU	C1170	THRU	C1176	THRU	C1182	THRU	C1188	THRU	C1194	THRU	C1200	THRU	C1206	THRU	C1212	THRU	C1218	THRU	C1224	THRU	C1230	THRU	C1236	THRU	C1242	THRU	C1248	THRU	C1254	THRU	C1260	THRU	C1266	THRU	C1272	THRU	C1278	THRU	C1284	THRU	C1290	THRU	C1296	THRU	C1302	THRU	C1308	THRU	C1314	THRU	C1320	THRU	C1326	THRU	C1332	THRU	C1338	THRU	C1344	THRU	C1350	THRU	C1356	THRU	C1362	THRU	C1368	THRU	C1374	THRU	C1380	THRU	C1386	THRU	C1392	THRU	C1398	THRU	C1404	THRU	C1410	THRU	C1416	THRU	C1422	THRU	C1428	THRU	C1434	THRU	C1440	THRU	C1446	THRU	C1452	THRU	C1458	THRU	C1464	THRU	C1470	THRU	C1476	THRU	C1482	THRU	C1488	THRU	C1494	THRU	C1500	THRU	C1506	THRU	C1512	THRU	C1518	THRU	C1524	THRU	C1530	THRU	C1536	THRU	C1542	THRU	C1548	THRU	C1554	THRU	C1560	THRU	C1566	THRU	C1572	THRU	C1578	THRU	C1584	THRU	C1590	THRU	C1596	THRU	C1602	THRU	C1608	THRU	C1614	THRU	C1620	THRU	C1626	THRU	C1632	THRU	C1638	THRU	C1644	THRU	C1650	THRU	C1656	THRU	C1662	THRU	C1668	THRU	C1674	THRU	C1680	THRU	C1686	THRU	C1692	THRU	C1698	THRU	C1704	THRU	C1710	THRU	C1716	THRU	C1722	THRU	C1728	THRU	C1734	THRU	C1740	THRU	C1746	THRU	C1752	THRU	C1758	THRU	C1764	THRU	C1770	THRU	C1776	THRU	C1782	THRU	C1788	THRU	C1794	THRU	C1800	THRU	C1806	THRU	C1812	THRU	C1818	THRU	C1824	THRU	C1830	THRU	C1836	THRU	C1842	THRU	C1848	THRU	C1854	THRU	C1860	THRU	C1866	THRU	C1872	THRU	C1878	THRU	C1884	THRU	C1890	THRU	C1896	THRU	C1902	THRU	C1908	THRU	C1914	THRU	C1920	THRU	C1926	THRU	C1932	THRU	C1938	THRU	C1944	THRU	C1950	THRU	C1956	THRU	C1962	THRU	C1968	THRU	C1974	THRU	C1980	THRU	C1986	THRU	C1992	THRU	C1998	THRU	C2004	THRU	C2010	THRU	C2016	THRU	C2022	THRU	C2028	THRU	C2034	THRU	C2040	THRU	C2046	THRU	C2052	THRU	C2058	THRU	C2064	THRU	C2070	THRU	C2076	THRU	C2082	THRU	C2088	THRU	C2094	THRU	C2100	THRU	C2106	THRU	C2112	THRU	C2118	THRU	C2124	THRU	C2130	THRU	C2136	THRU	C2142	THRU	C2148	THRU	C2154	THRU	C2160	THRU	C2166	THRU	C2172	THRU	C2178	THRU	C2184	THRU	C2190	THRU	C2196	THRU	C2202	THRU	C2208	THRU	C2214	THRU	C2220	THRU	C2226	THRU	C2232	THRU	C2238	THRU	C2244	THRU	C2250	THRU	C2256	THRU	C2262	THRU	C2268	THRU	C2274	THRU	C2280	THRU	C2286	THRU	C2292	THRU	C2298	THRU	C2304	THRU	C2310	THRU	C2316	THRU	C2322	THRU	C2328	THRU	C2334	THRU	C2340	THRU	C2346	THRU	C2352	THRU	C2358	THRU	C2364	THRU	C2370	THRU	C2376	THRU	C2382	THRU	C2388	THRU	C2394	THRU	C2400	THRU	C2406	THRU	C2412	THRU	C2418	THRU	C2424	THRU	C2430	THRU	C2436	THRU	C2442	THRU	C2448	THRU	C2454	THRU	C2460	THRU	C2466	THRU	C2472	THRU	C2478	THRU	C2484	THRU	C2490	THRU	C2496	THRU	C2502	THRU	C2508	THRU	C2514	THRU	C2520	THRU	C2526	THRU	C2532	THRU	C2538	THRU	C2544	THRU	C2550	THRU	C2556	THRU	C2562	THRU	C2568	THRU	C2574	THRU	C2580	THRU	C2586	THRU	C2592	THRU	C2598	THRU	C2604	THRU	C2610	THRU	C2616	THRU	C2622	THRU	C2628	THRU	C2634	THRU	C2640	THRU	C2646	THRU	C2652	THRU	C2658	THRU	C2664	THRU	C2670	THRU	C2676	THRU	C2682	THRU	C2688	THRU	C2694	THRU	C2700	THRU	C2706	THRU	C2712	THRU	C2718	THRU	C2724	THRU	C2730	THRU	C2736	THRU	C2742	THRU	C2748	THRU	C2754	THRU	C2760	THRU	C2766	THRU	C2772	THRU	C2778	THRU	C2784	THRU	C2790	THRU	C2796	THRU	C2802	THRU	C2808	THRU	C2814	THRU	C2820	THRU	C2826	THRU	C2832	THRU	C2838	THRU	C2844	THRU	C2850	THRU	C2856	THRU	C2862	THRU	C2868	THRU	C2874	THRU	C2880	THRU	C2886	THRU	C2892	THRU	C2898	THRU	C2904	THRU	C2910	THRU	C2916	THRU	C2922	THRU	C2928	THRU	C2934	THRU	C2940	THRU	C2946	THRU	C2952	THRU	C2958	THRU	C2964	THRU	C2970	THRU	C2976	THRU	C2982	THRU	C2988	THRU	C2994	THRU	C3000	THRU	C3006	THRU	C3012	THRU	C3018	THRU	C3024	THRU	C3030	THRU	C3036	THRU	C3042	THRU	C3048	THRU	C3054	THRU	C3060	THRU	C3066	THRU	C3072	THRU	C3078	THRU	C3084	THRU	C3090	THRU	C3096	THRU	C3102	THRU	C3108	THRU	C3114	THRU	C3120	THRU	C3126	THRU	C3132	THRU	C3138	THRU	C3144	THRU	C3150	THRU	C3156	THRU	C3162	THRU	C3168	THRU	C3174	THRU	C3180	THRU	C3186	THRU	C3192	THRU	C3198	THRU	C3204	THRU	C3210	THRU	C3216	THRU	C3222	THRU	C3228	THRU	C3234	THRU	C3240	THRU	C3246	THRU	C3252	THRU	C3258	THRU	C3264	THRU	C3270	THRU	C3276	THRU	C3282	THRU	C3288	THRU	C3294	THRU	C3300	THRU	C3306	THRU	C3312	THRU	C3318	THRU	C3324	THRU	C3330	THRU	C3336	THRU	C3342	THRU	C3348	THRU	C3354	THRU	C3360	THRU	C3366	THRU	C3372	THRU	C3378	THRU	C3384	THRU	C3390	THRU	C3396	THRU	C3402	THRU	C3408	THRU	C3414	THRU	C3420	THRU	C3426	THRU	C3432	THRU	C3438	THRU	C3444	THRU	C3450	THRU	C3456	THRU	C3462	THRU	C3468	THRU	C3474	THRU	C3480	THRU	C3486	THRU	C3492	THRU	C3498	THRU	C3504	THRU	C3510	THRU	C3516	THRU	C3522	THRU	C3528	THRU	C3534	THRU	C3540	THRU	C3546	THRU	C3552	THRU	C3558	THRU	C3564	THRU	C3570	THRU	C3576	THRU	C3582	THRU	C3588	THRU	C3594	THRU	C3600	THRU	C3606	THRU	C3612	THRU	C3618	THRU	C3624	THRU	C3630	THRU	C3636	THRU	C3642	THRU	C3648	THRU	C3654	THRU	C3660	THRU	C3666	THRU	C3672	THRU	C3678	THRU	C3684	THRU	C3690	THRU	C3696	THRU	C3702	THRU	C3708	THRU	C3714	THRU	C3720	THRU	C3726	THRU	C3732	THRU	C3738	THRU	C3744	THRU	C3750	THRU	C3756	THRU	C3762	THRU	C3768	THRU	C3774	THRU	C3780	THRU	C3786	THRU	C3792	THRU	C3798	THRU	C3804	THRU	C3810	THRU	C3816	THRU	C3822	THRU	C3828	THRU	C3834	THRU	C3840	THRU	C3846	THRU	C3852	THRU	C3858	THRU	C3864	THRU	C3870	THRU	C3876	THRU	C3882	THRU	C3888	THRU	C3894	THRU	C3900	THRU	C3906	THRU	C3912	THRU	C3918	THRU	C3924	THRU	C3930	THRU	C3936	THRU	C3942	THRU	C3948	THRU	C3954	THRU	C3960	THRU	C3966	THRU	C3972
----	------	----	------	-----	------	-----	------	-----	------	-----	------	-----	------	-----	------	-----	------	-----	------	-----	------	-----	------	-----	------	-----	------	-----	------	-----	------	-----	------	------	------	------	------	------	------	------	------	------	------	------	------	------	------	------	------	------	------	------	------	------	------	------	------	------	------	------	------	------	------	------	------	------	------	------	------	------	------	------	------	------	------	------	------	------	------	------	------	------	------	------	------	------	------	------	------	------	------	------	------	------	------	------	------	------	------	------	------	------	------	------	------	------	------	------	------	------	------	------	------	------	------	------	------	------	------	------	------	------	------	------	------	------	------	------	------	------	------	------	------	------	------	------	------	------	------	------	------	------	------	------	------	------	------	------	------	------	------	------	------	------	------	------	------	------	------	------	------	------	------	------	------	------	------	------	------	------	------	------	------	------	------	------	------	------	------	------	------	------	------	------	------	------	------	------	------	------	------	------	------	------	------	------	------	------	------	------	------	------	------	------	------	------	------	------	------	------	------	------	------	------	------	------	------	------	------	------	------	------	------	------	------	------	------	------	------	------	------	------	------	------	------	------	------	------	------	------	------	------	------	------	------	------	------	------	------	------	------	------	------	------	------	------	------	------	------	------	------	------	------	------	------	------	------	------	------	------	------	------	------	------	------	------	------	------	------	------	------	------	------	------	------	------	------	------	------	------	------	------	------	------	------	------	------	------	------	------	------	------	------	------	------	------	------	------	------	------	------	------	------	------	------	------	------	------	------	------	------	------	------	------	------	------	------	------	------	------	------	------	------	-------	------	-------	------	-------	------	-------	------	-------	------	-------	------	-------	------	-------	------	-------	------	-------	------	-------	------	-------	------	-------	------	-------	------	-------	------	-------	------	-------	------	-------	------	-------	------	-------	------	-------	------	-------	------	-------	------	-------	------	-------	------	-------	------	-------	------	-------	------	-------	------	-------	------	-------	------	-------	------	-------	------	-------	------	-------	------	-------	------	-------	------	-------	------	-------	------	-------	------	-------	------	-------	------	-------	------	-------	------	-------	------	-------	------	-------	------	-------	------	-------	------	-------	------	-------	------	-------	------	-------	------	-------	------	-------	------	-------	------	-------	------	-------	------	-------	------	-------	------	-------	------	-------	------	-------	------	-------	------	-------	------	-------	------	-------	------	-------	------	-------	------	-------	------	-------	------	-------	------	-------	------	-------	------	-------	------	-------	------	-------	------	-------	------	-------	------	-------	------	-------	------	-------	------	-------	------	-------	------	-------	------	-------	------	-------	------	-------	------	-------	------	-------	------	-------	------	-------	------	-------	------	-------	------	-------	------	-------	------	-------	------	-------	------	-------	------	-------	------	-------	------	-------	------	-------	------	-------	------	-------	------	-------	------	-------	------	-------	------	-------	------	-------	------	-------	------	-------	------	-------	------	-------	------	-------	------	-------	------	-------	------	-------	------	-------	------	-------	------	-------	------	-------	------	-------	------	-------	------	-------	------	-------	------	-------	------	-------	------	-------	------	-------	------	-------	------	-------	------	-------	------	-------	------	-------	------	-------	------	-------	------	-------	------	-------	------	-------	------	-------	------	-------	------	-------	------	-------	------	-------	------	-------	------	-------	------	-------	------	-------	------	-------	------	-------	------	-------	------	-------	------	-------	------	-------	------	-------	------	-------	------	-------	------	-------	------	-------	------	-------	------	-------	------	-------	------	-------	------	-------	------	-------	------	-------	------	-------	------	-------	------	-------	------	-------	------	-------	------	-------	------	-------	------	-------	------	-------	------	-------	------	-------	------	-------	------	-------	------	-------	------	-------	------	-------	------	-------	------	-------	------	-------	------	-------	------	-------	------	-------	------	-------	------	-------	------	-------	------	-------	------	-------	------	-------	------	-------	------	-------	------	-------	------	-------	------	-------	------	-------	------	-------	------	-------	------	-------	------	-------	------	-------	------	-------	------	-------	------	-------	------	-------	------	-------	------	-------	------	-------	------	-------	------	-------	------	-------	------	-------	------	-------	------	-------	------	-------	------	-------	------	-------	------	-------	------	-------	------	-------	------	-------	------	-------	------	-------	------	-------	------	-------	------	-------	------	-------	------	-------	------	-------	------	-------	------	-------	------	-------	------	-------	------	-------	------	-------	------	-------	------	-------	------	-------	------	-------	------	-------	------	-------	------	-------	------	-------	------	-------	------	-------	------	-------	------	-------	------	-------	------	-------	------	-------	------	-------	------	-------	------	-------	------	-------	------	-------	------	-------	------	-------	------	-------	------	-------	------	-------	------	-------	------	-------	------	-------	------	-------	------	-------	------	-------	------	-------	------	-------	------	-------	------	-------	------	-------	------	-------	------	-------	------	-------	------	-------	------	-------	------	-------	------	-------	------	-------	------	-------	------	-------	------	-------	------	-------	------	-------	------	-------	------	-------	------	-------	------	-------	------	-------	------	-------	------	-------	------	-------	------	-------	------	-------	------	-------	------	-------	------	-------	------	-------	------	-------	------	-------	------	-------	------	-------	------	-------	------	-------	------	-------	------	-------	------	-------	------	-------	------	-------	------	-------	------	-------	------	-------	------	-------	------	-------	------	-------	------	-------	------	-------	------	-------	------	-------	------	-------	------	-------	------	-------	------	-------	------	-------	------	-------	------	-------	------	-------	------	-------	------	-------	------	-------	------	-------	------	-------	------	-------	------	-------	------	-------	------	-------	------	-------	------	-------	------	-------	------	-------	------	-------	------	-------	------	-------	------	-------	------	-------	------	-------	------	-------	------	-------	------	-------	------	-------	------	-------	------	-------	------	-------	------	-------	------	-------	------	-------	------	-------	------	-------	------	-------	------	-------	------	-------	------	-------	------	-------	------	-------	------	-------	------	-------	------	-------	------	-------	------	-------	------	-------	------	-------	------	-------	------	-------	------	-------	------	-------	------	-------	------	-------	------	-------	------	-------	------	-------	------	-------	------	-------	------	-------	------	-------	------	-------	------	-------	------	-------	------	-------	------	-------	------	-------	------	-------	------	-------	------	-------	------	-------	------	-------	------	-------	------	-------	------	-------	------	-------	------	-------	------	-------	------	-------	------	-------	------	-------	------	-------	------	-------	------	-------	------	-------	------	-------	------	-------	------	-------	------	-------	------	-------	------	-------	------	-------	------	-------	------	-------	------	-------	------	-------	------	-------	------	-------	------	-------	------	-------	------	-------	------	-------	------	-------	------	-------	------	-------	------	-------	------	-------	------	-------	------	-------	------	-------	------	-------	------	-------	------	-------	------	-------	------	-------	------	-------	------	-------	------	-------	------	-------	------	-------	------	-------	------	-------	------	-------	------	-------	------	-------	------	-------	------	-------	------	-------	------	-------	------	-------	------	-------	------	-------	------	-------	------	-------	------	-------	------	-------	------	-------	------	-------	------	-------	------	-------	------	-------	------	-------	------	-------	------	-------	------	-------	------	-------	------	-------	------	-------	------	-------	------	-------	------	-------	------	-------	------	-------	------	-------	------	-------	------	-------	------	-------	------	-------	------	-------	------	-------	------	-------	------	-------	------	-------	------	-------	------	-------	------	-------	------	-------	------	-------



This drawing and specifications, herein, are the property of Digital Equipment Corporation and are not to be reproduced or copied in whole or in part as the basis for the manufacture or sale of items without the written permission.

8

7

6

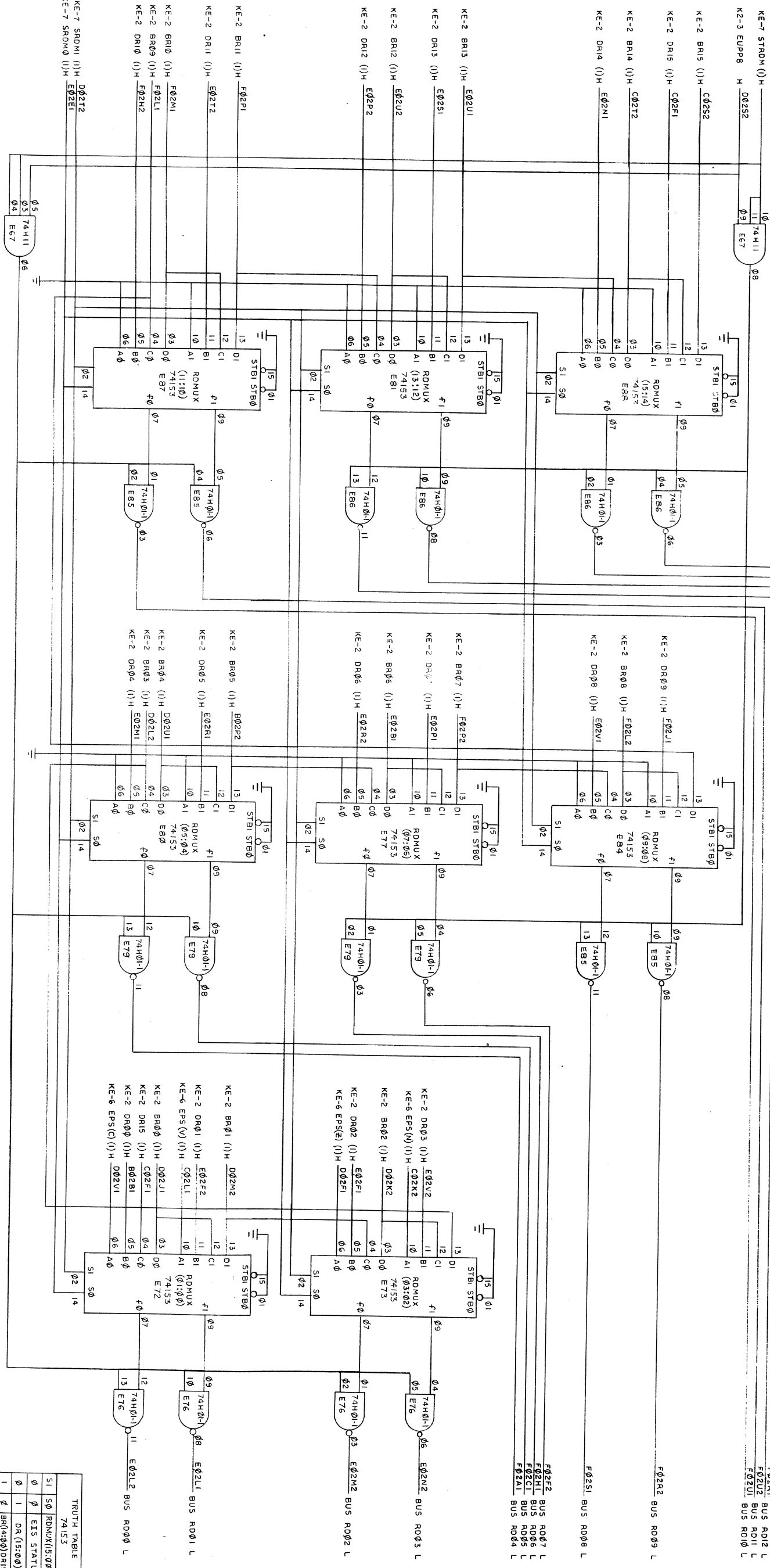
5

4

3

2

1



1-0-85221M  
REV. 0  
ASB  
BUS NUMBER  
000221M

02  
01  
00  
03  
04  
05  
06  
07  
08  
09  
10  
11  
12  
13  
14  
15

0

1

2

3

4

5

6

7

8

9

10

11

12

13

14

15

16

17

18

19

20

21

22

23

24

25

26

27

28

29

30

31

32

33

34

35

36

37

38

39

40

41

42

43

44

45

46

47

48

49

50

51

52

53

54

55

56

57

58

59

60

61

62

63

64

65

66

67

68

69

70

71

72

73

74

75

76

77

78

79

80

81

82

83

84

85

86

87

88

89

90

91

92

93

94

95

96

97

98

99

100

101

102

103

104

105

106

107

108

109

110

111

112

113

114

115

116

117

118

119

120

121

122

123

124

125

126

127

128

129

130

131

132

133

134

135

136

137

138

139

140

141

142

143

144

145

146

147

148

149

150

151

152

153

154

155

156

157

158

159

160

161

162

163

164

165

166

167

168

169

170

171

172

173

174

175

176

177

178

179

180

181

182

183

184

185

186

187

188

189

190

191

192

193

194

195

196

197

198

199

200

201

202

203

204

205

206

207

208

209

210

211

212

213

214

215

216

217

218

219

220

221

222

223

224

225

226

227

228

229

230

231

232

233

234

235

236

237

238

239

240

241

242

243

244

245

246

247

248

249

250

251

252

253

254

255

256

257

258

259

260

261

262

263

264

265

266

267

268

269

270

271

272

273

274

275

276

277

278

279

280

281

</

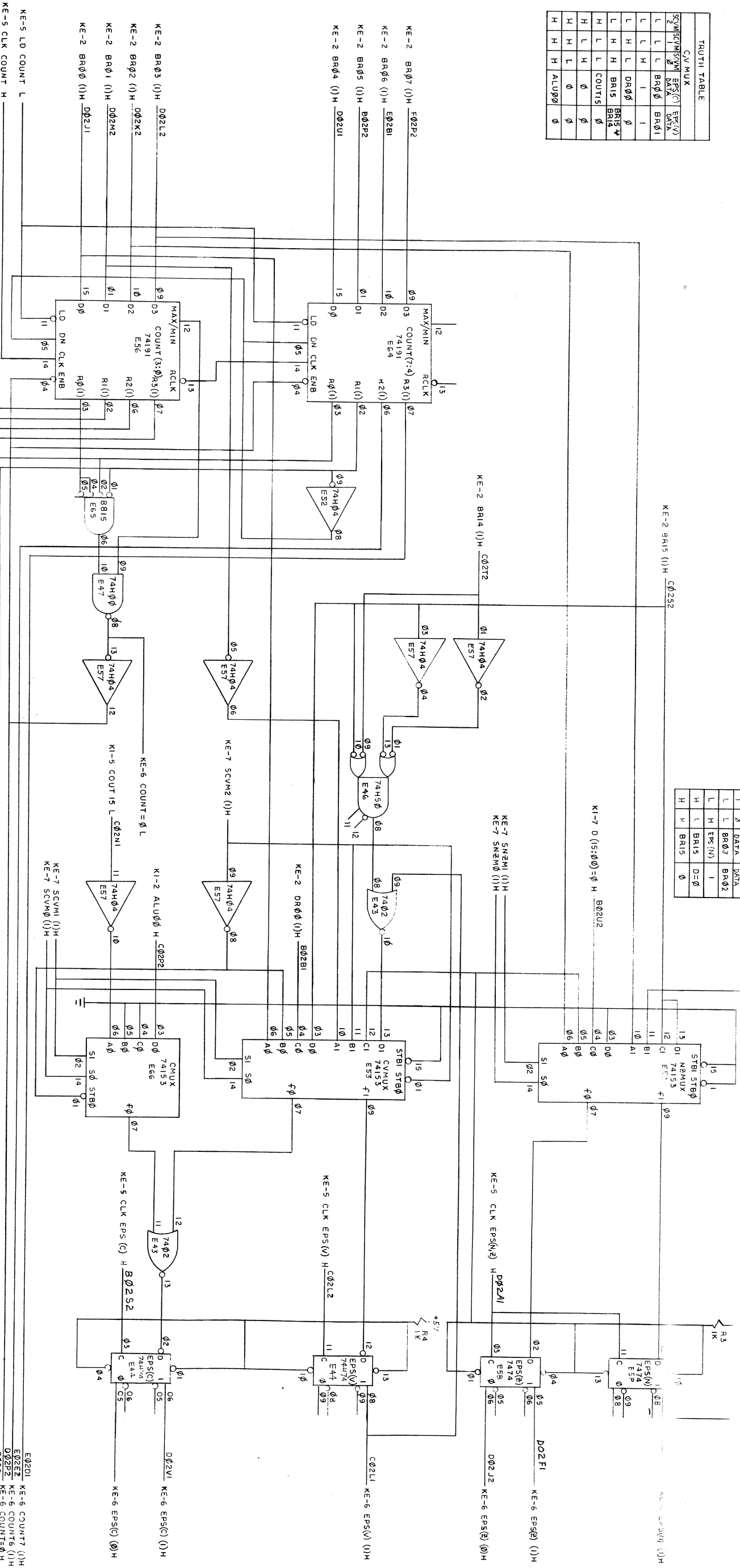




This drawing and specifications herein, are the property of Digital Equipment Corporation and shall not be reproduced, stored in a retrieval system, or transmitted in any form or by any means, electronic, mechanical, photocopying, recording, or by any information storage and retrieval system, without the prior written permission of Digital Equipment Corporation.

TRUTH TABLE

SCVMM	SCVMM DATA	EPS(C)	EPS(V)
L	L	L	L
L	L	L	H
L	L	H	L
L	L	H	H
L	H	L	L
L	H	L	H
L	H	H	L
L	H	H	H
H	L	L	L
H	L	L	H
H	L	H	L
H	L	H	H
H	H	L	L
H	H	L	H
H	H	H	L
H	H	H	H



TRUTH TABLE

STB	SI	SQ	FN
L	L	L	L
L	L	L	H
L	L	H	L
L	L	H	H
L	H	L	L
L	H	L	H
L	H	H	L
L	H	H	H
H	L	L	L
H	L	L	H
H	L	H	L
H	L	H	H
H	H	L	L
H	H	L	H
H	H	H	L
H	H	H	H

REVISIONS

CHK	REV	CHANGE NO

FIRST USED ON OPTION/MODEL

QTY	DESCRIPTION	PARTS LIST	ITEM NO

UNLESS OTHERWISE SPECIFIED

DIMENSION IN INCHES

TOLERANCES

ANGLES

DECIMALS

XXX = .005

XX = .02

X = .1

REMOVE BURS AND BREAK SHARP CORNERS SURFACE QUALITY

MATERIAL

FINISH

SCALE

SHEET 6 OF 17

DIST

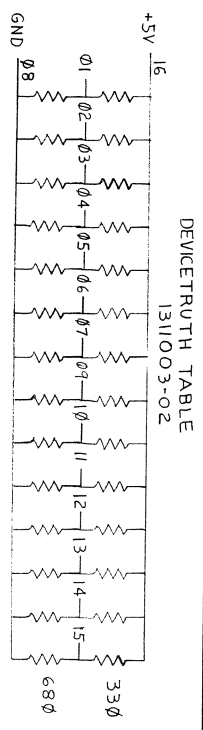
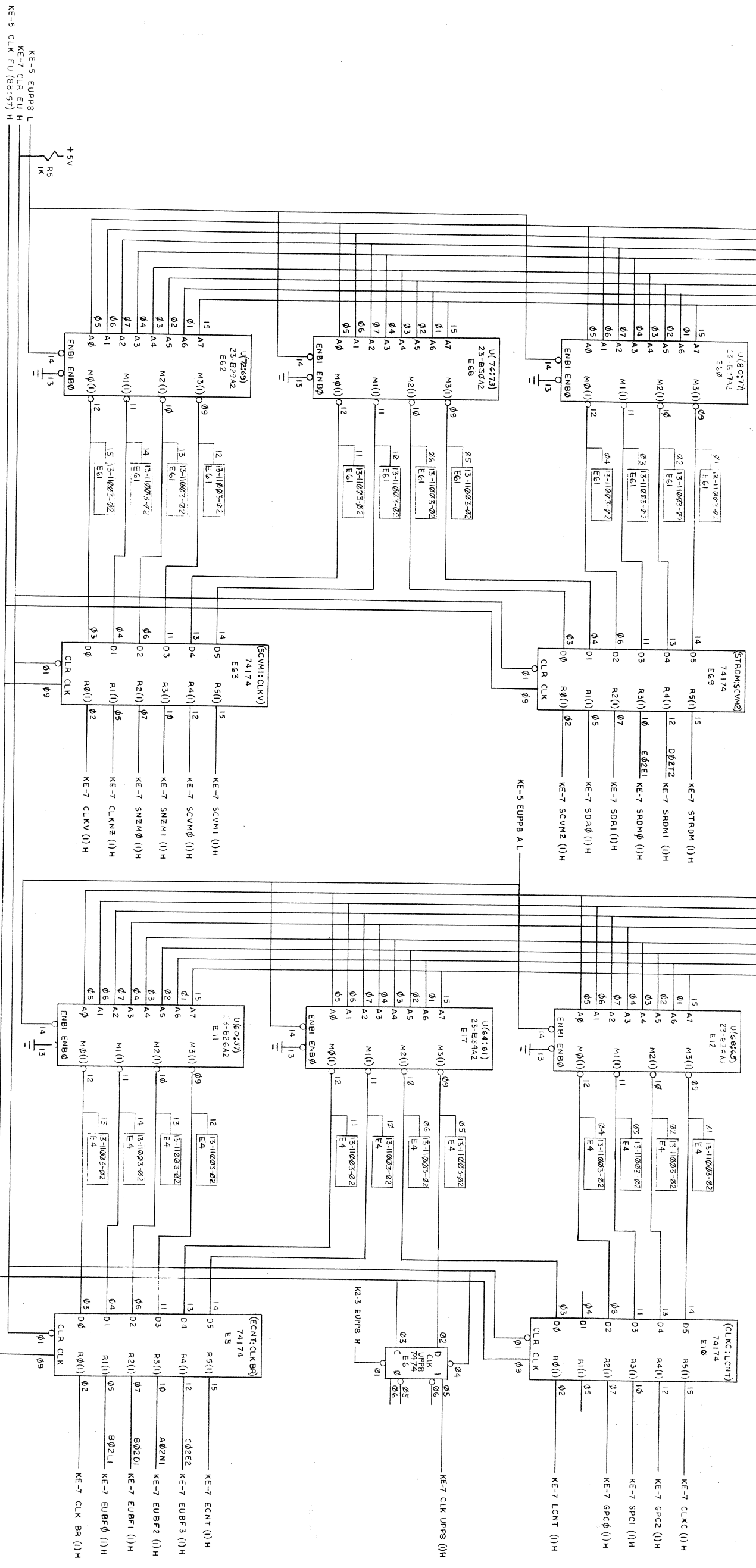
TRUTH TABLE

STB	SI	SQ	FN
L	L	L	L
L	L	L	H
L	L	H	L
L	L	H	H
L	H	L	L
L	H	L	H
L	H	H	L
L	H	H	H
H	L	L	L
H	L	L	H
H	L	H	L
H	L	H	H
H	H	L	L
H	H	L	H
H	H	H	L
H	H	H	H



This drawing and specifications, when used in conjunction with the drawings of Digital Equipment Corporation and shall not be used for the manufacture or sale of items without written permission.

- K2-3 BUPP7 H F02T2
- K2-3 BUPP6 H F02E2
- K2-3 BUPP5 H D02K1
- K2-2 BUPP3 H D02H1
- K2-2 BUPP2 H B02S1
- K2-2 BUPP1 H C02E1
- K2-2 BUPP0 H C02M1



REVISIONS	
CHK	CHANGE NO

BRUNING 40522 15840  
REV. 1094 NO  
DWD 102-8

KE-5 EUPP8 L  
KE-7 CLR EU H  
KE-5 CLK EU (B8:57) H

8 7 6 5 4 3 2

1 2 3 4 5 6 7 8

9 10 11 12 13 14 15

16 17 18 19 20 21 22 23 24 25 26 27 28 29 30 31 32 33 34 35 36 37 38 39 40 41 42 43 44 45 46 47 48 49 50 51 52 53 54 55 56 57 58 59 60 61 62 63 64 65 66 67 68 69 70 71 72 73 74 75 76 77 78 79 80 81 82 83 84 85 86 87 88 89 90 91 92 93 94 95 96 97 98 99 100

101 102 103 104 105 106 107 108 109 110 111 112 113 114 115 116 117 118 119 120 121 122 123 124 125 126 127 128 129 130 131 132 133 134 135 136 137 138 139 140 141 142 143 144 145 146 147 148 149 150 151 152 153 154 155 156 157 158 159 160 161 162 163 164 165 166 167 168 169 170 171 172 173 174 175 176 177 178 179 180 181 182 183 184 185 186 187 188 189 190 191 192 193 194 195 196 197 198 199 200

201 202 203 204 205 206 207 208 209 210 211 212 213 214 215 216 217 218 219 220 221 222 223 224 225 226 227 228 229 230 231 232 233 234 235 236 237 238 239 240 241 242 243 244 245 246 247 248 249 250 251 252 253 254 255 256 257 258 259 260 261 262 263 264 265 266 267 268 269 270 271 272 273 274 275 276 277 278 279 280 281 282 283 284 285 286 287 288 289 290 291 292 293 294 295 296 297 298 299 300

301 302 303 304 305 306 307 308 309 310 311 312 313 314 315 316 317 318 319 320 321 322 323 324 325 326 327 328 329 330 331 332 333 334 335 336 337 338 339 340 341 342 343 344 345 346 347 348 349 350 351 352 353 354 355 356 357 358 359 360 361 362 363 364 365 366 367 368 369 370 371 372 373 374 375 376 377 378 379 380 381 382 383 384 385 386 387 388 389 390 391 392 393 394 395 396 397 398 399 400

401 402 403 404 405 406 407 408 409 410 411 412 413 414 415 416 417 418 419 420 421 422 423 424 425 426 427 428 429 430 431 432 433 434 435 436 437 438 439 440 441 442 443 444 445 446 447 448 449 450 451 452 453 454 455 456 457 458 459 460 461 462 463 464 465 466 467 468 469 470 471 472 473 474 475 476 477 478 479 480 481 482 483 484 485 486 487 488 489 490 491 492 493 494 495 496 497 498 499 500

501 502 503 504 505 506 507 508 509 510 511 512 513 514 515 516 517 518 519 520 521 522 523 524 525 526 527 528 529 530 531 532 533 534 535 536 537 538 539 540 541 542 543 544 545 546 547 548 549 550 551 552 553 554 555 556 557 558 559 560 561 562 563 564 565 566 567 568 569 570 571 572 573 574 575 576 577 578 579 580 581 582 583 584 585 586 587 588 589 590 591 592 593 594 595 596 597 598 599 600

601 602 603 604 605 606 607 608 609 610 611 612 613 614 615 616 617 618 619 620 621 622 623 624 625 626 627 628 629 630 631 632 633 634 635 636 637 638 639 640 641 642 643 644 645 646 647 648 649 650 651 652 653 654 655 656 657 658 659 660 661 662 663 664 665 666 667 668 669 670 671 672 673 674 675 676 677 678 679 680 681 682 683 684 685 686 687 688 689 690 691 692 693 694 695 696 697 698 699 700

701 702 703 704 705 706 707 708 709 710 711 712 713 714 715 716 717 718 719 720 721 722 723 724 725 726 727 728 729 730 731 732 733 734 735 736 737 738 739 740 741 742 743 744 745 746 747 748 749 750 751 752 753 754 755 756 757 758 759 760 761 762 763 764 765 766 767 768 769 770 771 772 773 774 775 776 777 778 779 780 781 782 783 784 785 786 787 788 789 790 791 792 793 794 795 796 797 798 799 800

801 802 803 804 805 806 807 808 809 810 811 812 813 814 815 816 817 818 819 820 821 822 823 824 825 826 827 828 829 830 831 832 833 834 835 836 837 838 839 840 841 842 843 844 845 846 847 848 849 850 851 852 853 854 855 856 857 858 859 860 861 862 863 864 865 866 867 868 869 870 871 872 873 874 875 876 877 878 879 880 881 882 883 884 885 886 887 888 889 890 891 892 893 894 895 896 897 898 899 900

901 902 903 904 905 906 907 908 909 910 911 912 913 914 915 916 917 918 919 920 921 922 923 924 925 926 927 928 929 930 931 932 933 934 935 936 937 938 939 940 941 942 943 944 945 946 947 948 949 950 951 952 953 954 955 956 957 958 959 960 961 962 963 964 965 966 967 968 969 970 971 972 973 974 975 976 977 978 979 980 981 982 983 984 985 986 987 988 989 990 991 992 993 994 995 996 997 998 999 1000

1001 1002 1003 1004 1005 1006 1007 1008 1009 1010 1011 1012 1013 1014 1015 1016 1017 1018 1019 1020 1021 1022 1023 1024 1025 1026 1027 1028 1029 1030 1031 1032 1033 1034 1035 1036 1037 1038 1039 1040 1041 1042 1043 1044 1045 1046 1047 1048 1049 1050 1051 1052 1053 1054 1055 1056 1057 1058 1059 1060 1061 1062 1063 1064 1065 1066 1067 1068 1069 1070 1071 1072 1073 1074 1075 1076 1077 1078 1079 1080 1081 1082 1083 1084 1085 1086 1087 1088 1089 1090 1091 1092 1093 1094 1095 1096 1097 1098 1099 1100

1101 1102 1103 1104 1105 1106 1107 1108 1109 1110 1111 1112 1113 1114 1115 1116 1117 1118 1119 1120 1121 1122 1123 1124 1125 1126 1127 1128 1129 1130 1131 1132 1133 1134 1135 1136 1137 1138 1139 1140 1141 1142 1143 1144 1145 1146 1147 1148 1149 1150 1151 1152 1153 1154 1155 1156 1157 1158 1159 1160 1161 1162 1163 1164 1165 1166 1167 1168 1169 1170 1171 1172 1173 1174 1175 1176 1177 1178 1179 1180 1181 1182 1183 1184 1185 1186 1187 1188 1189 1190 1191 1192 1193 1194 1195 1196 1197 1198 1199 1200

1201 1202 1203 1204 1205 1206 1207 1208 1209 1210 1211 1212 1213 1214 1215 1216 1217 1218 1219 1220 1221 1222 1223 1224 1225 1226 1227 1228 1229 1230 1231 1232 1233 1234 1235 1236 1237 1238 1239 1240 1241 1242 1243 1244 1245 1246 1247 1248 1249 1250 1251 1252 1253 1254 1255 1256 1257 1258 1259 1260 1261 1262 1263 1264 1265 1266 1267 1268 1269 1270 1271 1272 1273 1274 1275 1276 1277 1278 1279 1280 1281 1282 1283 1284 1285 1286 1287 1288 1289 1290 1291 1292 1293 1294 1295 1296 1297 1298 1299 1300

1301 1302 1303 1304 1305 1306 1307 1308 1309 1310 1311 1312 1313 1314 1315 1316 1317 1318 1319 1320 1321 1322 1323 1324 1325 1326 1327 1328 1329 1330 1331 1332 1333 1334 1335 1336 1337 1338 1339 1340 1341 1342 1343 1344 1345 1346 1347 1348 1349 1350 1351 1352 1353 1354 1355 1356 1357 1358 1359 1360 1361 1362 1363 1364 1365 1366 1367 1368 1369 1370 1371 1372 1373 1374 1375 1376 1377 1378 1379 1380 1381 1382 1383 1384 1385 1386 1387 1388 1389 1390 1391 1392 1393 1394 1395 1396 1397 1398 1399 1400

1401 1402 1403 1404 1405 1406 1407 1408 1409 1410 1411 1412 1413 1414 1415 1416 1417 1418 1419 1420 1421 1422 1423 1424 1425 1426 1427 1428 1429 1430 1431 1432 1433 1434 1435 1436 1437 1438 1439 1440 1441 1442 1443 1444 1445 1446 1447 1448 1449 1450 1451 1452 1453 1454 1455 1456 1457 1458 1459 1460 1461 1462 1463 1464 1465 1466 1467 1468 1469 1470 1471 1472 1473 1474 1475 1476 1477 1478 1479 1480 1481 1482 1483 1484 1485 1486 1487 1488 1489 1490 1491 1492 1493 1494 1495 1496 1497 1498 1499 1500

1501 1502 1503 1504 1505 1506 1507 1508 1509 1510 1511 1512 1513 1514 1515 1516 1517 1518 1519 1520 1521 1522 1523 1524 1525 1526 1527 1528 1529 1530 1531 1532 1533 1534 1535 1536 1537 1538 1539 1540 1541 1542 1543 1544 1545 1546 1547 1548 1549 1550 1551 1552 1553 1554 1555 1556 1557 1558 1559 1560 1561 1562 1563 1564 1565 1566 1567 1568 1569 1570 1571 1572 1573 1574 1575 1576 1577 1578 1579 1580 1581 1582 1583 1584 1585 1586 1587 1588 1589 1590 1591 1592 1593 1594 1595 1596 1597 1598 1599 1600

1601 1602 1603 1604 1605 1606 1607 1608 1609 1610 1611 1612 1613 1614 1615 1616 1617 1618 1619 1620 1621 1622 1623 1624 1625 1626 1627 1628 1629 1630 1631 1632 1633 1634 1635 1636 1637 1638 1639 1640 1641 1642 1643 1644 1645 1646 1647 1648 1649 1650 1651 1652 1653 1654 1655 1656 1657 1658 1659 1660 1661 1662 1663 1664 1665 1666 1667 1668 1669 1670 1671 1672 1673 1674 1675 1676 1677 1678 1679 1680 1681 1682 1683 1684 1685 1686 1687 1688 1689 1690 1691 1692 1693 1694 1695 1696 1697 1698 1699 1700

1701 1702 1703 1704 1705 1706 1707 1708 1709 1710 1711 1712 1713 1714 1715 1716 1717 1718 1719 1720 1721 1722 1723 1724 1725 1726 1727 1728 1729 1730 1731 1732 1733 1734 1735 1736 1737 1738 1739 1740 1741 1742 1743 1744 1745 1746 1747 1748 1749 1750 1751 1752 1753 1754 1755 1756 1757 1758 1759 1760 1761 1762 1763 1764 1765 1766 1767 1768 1769 1770 1771 1772 1773 1774 1775 1776 1777 1778 1779 1780 1781 1782 1783 1784 1785 1786 1787 1788 1789 1790 1791 1792 1793 1794 1795 1796 1797 1798 1799 1800

1801 1802 1803 1804 1805 1806 1807 1808 1809 1810 1811 1812 1813 1814 1815 1816 1817 1818 1819 1820 1821 1822 1823 1824 1825 1826 1827 1828 1829 1830 1831 1832 1833 1834 1835 1836 1837 1838 1839 1840 1841 1842 1843 1844 1845 1846 1847 1848 1849 1850 1851 1852 1853 1854 1855 1856 1857 1858 1859 1860 1861 1862 1863 1864 1865 1866 1867 1868 1869 1870 1871 1872 1873 1874 1875 1876 1877 1878 1879 1880 1881 1882 1883 1884 1885 1886 1887 1888 1889 1890 1891 1892 1893 1894 1895 1896 1897 1898 1899 1900

1901 1902 1903 1904 1905 1906 1907 1908 1909 1910 1911 1912 1913 1914 1915 1916 1917 1918 1919 1920 1921 1922 1923 1924 1925 1926 1927 1928 1929 1930 1931 1932 1933 1934 1935 1936 1937 1938 1939 1940 1941 1942 1943 1944 1945 1946 1947 1948 1949 1950 1951 1952 1953 1954 1955 1956 1957 1958 1959 1960 1961 1962 1963 1964 1965 1966 1967 1968 1969 1970 1971 1972 1973 1974 1975 1976 1977 1978 1979 1980 1981 1982 1983 1984 1985 1986 1987 1988 1989 1990 1991 1992 1993 1994 1995 1996 1997 1998 1999 2000

2001 2002 2003 2004 2005 2006 2007 2008 2009 2010 2011 2012 2013 2014 2015 2016 2017 2018 2019 2020 2021 2022 2023 2024 2025 2026 2027 2028 2029 2030 2031 2032 2033 2034 2035 2036 2037 2038 2039 2040 2041 2042 2043 2044 2045 2046 2047 2048 2049 2050 2051 2052 2053 2054 2055 2056 2057 2058 2059 2060 2061 2062 2063 2064 2065 2066 2067 2068 2069 2070 2071 2072 2073 2074 2075 2076 2077 2078 2079 2080 2081 2082 2083 2084 2085 2086 2087 2088 2089 2090 2091 2092 2093 2094 2095 2096 2097 2098 2099 2100

2101 2102 2103 2104 2105 2106 2107 2108 2109 2110 2111 2112 2113 2114 2115 2116 2117 2118 2119 2120 2121 2122 2123 2124 2125 2126 2127 2128 2129 2130 2131 2132 2133 2134 2135 2136 2137 2138 2139 2140 2141 2142 2143 2144 2145 2146 2147 2148 2149 2150 2151 2152 2153 2154 2155 2156 2157 2158 2159 2160 2161 2162 2163 2164 2165 2166 2167 2168 2169 2170 2171 2172 2173 2174 2175 2176 2177 2178 2179 2180 2181 2182 2183 2184 2185 2186 2187 2188 2189 2190 2191 2192 2193 2194 2195 2196 2197 2198 2199 2200





This drawing and specifications, herein, are the property of Digital Equipment Corporation and shall not be reproduced or copied or used in whole or in part, as the basis for the manufacture or sale of items without written permission.

FLWS	STATE	ADR	CLK	CIR	WR	CB	CD	CBA	BUS	DAD	SPS	ALU	SBC	SBM	SDM	SBA	UBF	SRX	RIF	UPF
E3	MUL7	000	2	0	0	0	0	0	0	00	0	00	00	00	0	0	00	10	00	204
E3	MUL19	001	2	0	0	0	0	0	0	00	0	00	00	00	0	0	00	00	00	133
E3	MUL2	002	2	0	0	0	0	0	0	00	0	00	00	00	0	0	00	10	00	015
E3	MUL4	003	2	0	0	0	0	0	0	00	0	00	00	00	0	0	00	01	12	075
F5	FDV1	004	2	0	0	1	0	0	0	00	0	00	00	00	0	0	00	01	15	006
E3	MUL16	005	4	0	0	0	1	0	0	00	0	00	00	00	0	0	00	00	00	011
F5	FDV2	006	6	0	0	1	1	0	0	10	0	06	00	00	2	0	00	01	14	160
E3	MUL12	007	4	0	0	0	1	0	0	00	0	00	00	00	0	0	00	00	00	016
E3	MUL15	010	2	0	0	0	0	0	0	00	0	00	00	00	0	0	00	00	00	177
E3	MUL18	011	2	0	3	0	0	0	0	00	0	00	00	00	2	0	00	11	01	177
E3	MUL14	012	2	0	0	0	0	0	0	00	0	00	00	00	0	0	00	00	00	177
E3	MUL17	013	2	0	3	0	0	0	0	00	0	00	00	00	2	0	00	11	01	177
E3	MUL1	014	4	0	0	0	1	0	0	10	0	06	00	00	0	0	00	00	00	000
E3	MUL3	015	4	0	0	0	1	0	0	00	0	00	00	00	0	0	00	10	00	001
E3	MUL13	016	2	0	3	0	0	0	0	00	0	00	00	00	2	0	00	11	01	010
F3	ADD23	017	6	0	3	0	1	0	0	00	0	14	00	00	2	0	00	01	11	361
E4	DIV20	020	2	0	0	1	0	0	0	00	0	00	00	00	0	0	00	11	01	076
E5	DIV23	021	4	0	0	0	1	0	0	00	0	20	00	00	0	0	00	00	00	071
E4	DIV4	022	2	0	0	0	0	0	0	00	0	00	00	00	0	0	00	00	00	177
E5	DIV33	023	4	0	0	0	1	0	0	00	0	20	00	00	0	0	00	00	00	070
E4	DIV13	024	2	0	0	0	0	0	0	00	0	00	00	00	0	0	00	11	01	147
E5	DIV27	025	4	0	0	0	1	0	0	00	0	11	00	00	0	0	00	00	00	101
E4	DIV7	026	2	0	0	1	0	0	0	00	0	00	00	00	0	0	00	10	00	057
E5	DIV31	027	4	0	0	0	1	0	0	10	0	06	00	00	0	0	00	00	00	103
E2	ASH2	030	2	0	0	0	0	0	0	00	0	00	00	00	0	0	00	00	00	177
E4	DIV16	031	6	0	0	0	1	0	0	14	0	00	00	00	2	0	00	00	00	065
F5	FDV21	032	2	0	0	1	0	0	0	00	0	00	00	00	0	0	00	01	11	372
E4	DIV11	033	2	0	0	0	0	0	0	00	0	00	00	00	0	0	00	00	00	037
E2	ASH5	034	2	0	0	0	0	0	0	00	0	00	00	00	0	0	00	00	00	123
E4	DIV19	035	6	0	0	0	1	0	0	14	0	00	00	00	2	0	00	00	00	153
E2	ASH3	036	2	0	0	0	0	0	0	00	0	00	00	00	0	0	00	00	00	063
E4	DIV12	037	2	0	0	0	0	0	0	00	0	00	00	00	0	0	00	00	00	177

NOTE:

THE COMPLEMENT OF THE ACTUAL ROM OUTPUT FOR THE UPF, WR, SPS (HIGH 2 BITS), BUS (LOW BIT), AND CLK (LOW BIT) FIELD IS LISTED FOR CLARITY.

FLWS	STATE	ADR	CON	FC1	FUB	MHR	FRD	ERD	SRD	SDR	CVM	NZM	CCC	GPC	CEE	CNT	EUB	CBR
E3	MUL7	000	0	0	0	0	0	0	0	0	0	0	0	0	0	0	00	1
E3	MUL19	001	0	0	0	0	0	0	3	0	0	0	0	0	0	1	00	1
E3	MUL2	002	0	0	0	0	0	0	0	0	0	0	0	0	0	0	01	1
E3	MUL4	003	0	0	0	0	0	0	0	0	0	0	0	0	0	0	01	1
F5	FDV1	004	0	0	0	0	0	0	0	0	2	4	0	0	0	0	14	0
E3	MUL16	005	0	0	0	0	0	1	1	0	1	0	0	0	0	00	0	0
F5	FDV2	006	0	0	0	0	0	0	0	0	0	0	0	0	0	00	0	0
E3	MUL12	007	0	0	0	0	0	1	1	0	0	0	0	0	0	0	04	0
E3	MUL15	010	0	0	0	0	0	0	0	1	0	1	0	0	0	00	0	0
E3	MUL18	011	0	0	0	0	0	0	0	0	3	4	0	0	0	00	0	0
E3	MUL14	012	0	0	0	0	0	0	0	0	5	1	0	0	0	00	0	0
E3	MUL17	013	0	0	0	0	0	0	0	0	5	2	5	0	0	00	0	0
E3	MUL1	014	0	0	0	0	0	0	0	0	5	0	1	0	0	2	00	0
E3	MUL3	015	0	0	0	0	0	0	0	3	0	0	0	0	0	00	0	0
E3	MUL13	016	0	0	0	0	0	0	0	0	2	3	6	0	0	00	0	0
F3	ADD23	017	0	0	0	0	0	0	2	0	0	0	0	4	0	0	00	0
E4	DIV20	020	0	0	0	0	0	0	0	0	3	4	0	0	0	0	03	0
E5	DIV23	021	0	0	0	0	0	1	3	0	0	0	0	0	0	0	02	0
E4	DIV4	022	0	0	0	0	0	0	0	0	1	1	7	0	0	00	0	0
E5	DIV33	023	0	0	0	0	0	1	3	0	0	0	0	0	0	0	02	0
E4	DIV13	024	0	0	0	0	0	0	0	0	0	0	0	0	0	00	1	0
E5	DIV27	025	0	0	0	0	0	1	3	0	0	0	0	0	0	00	0	0
E4	DIV7	026	0	0	0	0	0	0	0	0	0	0	0	0	0	00	0	0
E5	DIV31	027	0	0	0	0	0	1	3	0	0	0	0	0	0	00	0	0
E2	ASH2	030	0	0	0	0	0	0	0	0	5	2	7	0	0	0	00	0
E4	DIV16	031	0	0	0	0	0	1	2	2	0	0	0	0	0	1	00	1
F5	FDV21	032	0	0	0	0	0	0	1	0	0	0	0	0	0	1	00	0
E4	DIV11	033	0	0	0	0	0	0	0	0	0	0	0	0	0	0	00	0
E2	ASH5	034	0	0	0	0	0	0	0	0	0	0	0	0	0	1	10	0
E4	DIV19	035	0	0	0	0	0	1	2	2	0	0	0	2	0	1	00	1
E2	ASH3	036	0	0	0	0	0	0	0	0	0	0	0	0	0	1	10	0
E4	DIV12	037	0	0	0	0	0	0	0	1	0	2	0	0	0	0	00	0

REVISIONS	REV
CHANGE NO.	

DRN	DATE
<i>R. Boudel</i>	8-16-72
CHK'D.	DATE
<i>A. Boudel</i>	8-17-72
ENG.	DATE
<i>A. Boudel</i>	8-17-72
PROJ. ENG.	DATE
<i>A. Boudel</i>	8-17-72
PROD.	DATE
<i>A. Boudel</i>	8-18-72

<b>digital</b> EQUIPMENT CORPORATION NORWELL, MASS. U.S.A.		REVISION
TITLE		
EIS BOARD		
(ADRS 000-037)		
SIZE CODE	NUMBER	REV.
C-65	M7238-0-1	D

FLWS	STATE	ADR	CLA	CIR	WR	CB	CD	CBA	BUS	DAD	SPS	ALU	SBC	SBM	SDM	SBA	UBF	SRX	RIF	UPF
E2	ASH9	040	4	0	0	0	1	0	0	00	0	00	00	00	0	0	00	11	01	030
F4	FML4	041	2	0	0	1	0	0	0	00	0	00	00	00	0	0	00	00	00	150
F5	FDV23	042	2	0	0	1	0	0	0	00	0	00	00	00	0	0	00	01	13	211
F4	FML3	043	6	0	0	1	1	0	0	00	0	23	00	00	2	0	00	01	15	176
E2	ASH16	044	2	0	0	0	0	0	0	00	0	00	00	00	0	0	00	00	00	243
E5	DIV25	045	0	0	0	0	1	0	0	00	0	00	00	00	0	0	00	00	00	053
E2	ASH10	046	2	0	0	0	0	0	0	00	0	00	00	00	0	0	00	00	00	223
E5	DIV29	047	1	0	0	0	1	0	0	00	0	11	01	17	0	0	00	00	00	104
E5	DIV37	050	4	0	0	0	1	0	0	00	0	20	00	00	0	0	00	00	00	106
E5	DIV40	051	2	0	0	0	0	0	0	00	0	00	00	00	0	0	00	00	00	054
E5	DIV35	052	4	0	0	0	1	0	0	00	0	11	01	17	0	0	00	00	00	105
E5	DIV26	053	2	0	0	0	0	0	0	00	0	00	00	00	2	0	00	10	00	177
E5	DIV41	054	2	0	0	0	0	0	0	00	0	00	00	00	0	0	00	00	00	037
E4	DIV2	055	2	0	0	0	0	0	0	00	0	00	00	00	0	0	00	10	00	231
E5	DIV42	056	2	0	0	0	0	0	0	00	0	00	00	00	0	0	00	00	00	177
E4	DIV8	057	6	0	0	0	1	0	0	00	0	06	00	00	2	0	00	00	00	060
E4	DIV9	060	2	0	0	0	0	0	0	00	0	00	00	00	0	0	00	00	00	061
E4	DIV10	061	2	0	0	0	1	0	0	00	0	00	00	00	0	0	00	01	12	031
E4	DIV15	062	2	0	0	0	1	0	0	00	0	00	00	00	0	0	00	01	12	031
E2	ASH4	063	6	0	0	0	1	1	0	00	0	00	00	00	3	0	00	10	00	063
F2	ADD3	064	6	0	0	0	1	0	0	10	0	06	00	00	2	0	00	00	00	320
E4	DIV17	065	2	0	0	0	0	0	0	00	0	00	00	00	0	0	00	00	00	066
E4	DIV18	066	2	0	0	0	0	0	0	00	0	00	00	00	0	0	00	00	00	035
E2	ASH14	067	4	0	0	0	1	0	0	00	0	32	00	00	0	0	00	00	00	127
E5	DIV34	070	2	0	0	0	1	0	0	00	0	00	00	00	2	0	00	00	00	050
E5	DIV24	071	2	0	0	0	1	0	0	00	0	00	00	00	2	0	00	00	00	045
F2	ADD17	072	4	0	0	0	1	0	0	00	0	00	00	00	0	0	00	00	00	301
		073	0	0	0	0	0	0	0	00	0	00	00	00	0	0	00	00	00	000
E5	DIV39	074	6	0	0	0	1	0	0	00	0	11	01	17	2	0	00	10	00	051
E3	MUL5	075	2	0	0	0	0	0	0	00	0	00	00	00	0	0	00	00	00	110
E4	DIV6	076	6	0	0	0	1	0	0	10	0	06	00	00	2	0	00	00	00	024
E2	ASH13	077	2	0	0	0	0	0	0	00	0	00	00	00	2	0	00	11	01	206

This drawing and specifications, herein, are the property of Digital Equipment Corporation and shall not be reproduced or copied or used in whole or in part as the basis for the manufacture or sale of items without written permission.

NOTE:  
THE COMPLEMENT OF THE ACTUAL ROM OUTPUT FOR THE UPF, WR, SPS (HIGH 2 BITS), BUS (LOW BIT), AND CLK (LOW BIT) FIELD IS LISTED FOR CLARITY.

FLWS	STATE	ADR	CON	FC1	F08	WR	FRD	ERD	SRD	SDR	CVM	NZM	CCC	GPC	CEE	CNT	EUB	CBR
E2	ASH9	040	0	0	0	0	0	1	3	0	0	0	0	0	0	0	00	0
F4	FML4	041	0	0	0	0	1	0	3	0	0	0	0	6	0	0	10	0
F5	FDV23	042	0	0	0	0	0	0	1	0	0	0	0	0	0	00	0	
F4	FML3	043	0	0	0	0	0	0	0	0	0	0	0	0	0	00	1	
E2	ASH16	044	0	0	0	0	0	0	0	0	0	0	0	0	0	1	10	0
E5	DIV25	045	0	0	0	0	0	1	1	0	0	0	0	0	0	0	00	1
E2	ASH10	046	0	0	0	0	0	0	0	0	0	0	0	0	0	1	10	0
E5	DIV29	047	0	0	0	0	0	1	3	0	0	0	0	0	0	0	00	0
E5	DIV37	050	0	0	0	0	0	1	1	0	0	0	0	0	0	0	00	0
E5	DIV40	051	0	0	0	0	0	0	0	5	2	7	0	0	0	0	00	0
E5	DIV35	052	0	0	0	0	0	1	3	0	0	0	0	0	0	0	00	0
E5	DIV26	053	0	0	0	0	0	0	0	5	2	7	0	0	0	0	00	0
E5	DIV41	054	0	0	0	0	0	0	0	1	0	2	0	0	0	0	00	0
E4	DIV2	055	0	0	0	0	0	0	0	0	0	2	0	0	0	2	04	1
E5	DIV42	056	0	0	0	0	0	0	0	0	0	0	0	0	0	0	00	0
E4	DIV8	057	0	0	0	0	0	0	0	3	0	0	0	4	0	0	00	1
E4	DIV9	060	0	0	0	0	0	0	0	1	1	7	0	0	0	0	03	0
E4	DIV10	061	0	0	0	0	0	0	2	0	0	0	0	0	0	0	00	0
E4	DIV15	062	0	0	0	0	0	0	2	0	0	0	0	0	0	0	00	0
E2	ASH4	063	0	0	0	0	0	0	0	7	0	1	0	0	1	10	1	
F2	ADD3	064	0	0	0	3	0	0	0	4	0	1	0	0	0	10	1	
E4	DIV17	065	0	0	0	0	0	0	0	0	0	0	0	0	0	07	0	
E4	DIV18	066	0	0	0	0	0	0	2	0	5	0	1	0	1	00	0	
E2	ASH14	067	0	0	0	0	0	0	0	0	0	0	0	0	0	00	0	
E5	DIV34	070	0	0	0	0	0	0	3	0	0	0	0	0	0	00	1	
E5	DIV24	071	0	0	0	0	0	0	3	0	0	0	0	0	0	00	1	
F2	ADD17	072	0	0	0	3	0	1	1	0	0	0	0	0	0	00	0	
		073	0	0	0	0	0	0	0	0	0	0	0	0	0	00	0	
E5	DIV39	074	0	0	0	0	0	0	0	0	0	0	0	0	0	01	1	
E3	MUL5	075	0	0	0	0	0	0	3	0	0	0	0	0	0	00	1	
E4	DIV6	076	0	0	0	0	0	0	0	4	0	1	0	0	0	10	1	
E2	ASH13	077	0	0	0	0	0	0	3	0	0	0	0	0	0	00	0	

REV	
CHANGE NO	
CHK	

digital EQUIPMENT CORPORATION MAYNARD, MASSACHUSETTS	
TITLE EIS BOARD (ADRS 040-077)	
DRM <i>A. P. ...</i>	DATE 8-16-72
CHK'D. <i>A. ...</i>	DATE 8-17-72
ENG. <i>A. ...</i>	DATE 8-17-72
PROV. ENG. <i>A. ...</i>	DATE 8-17-72
MOD. <i>A. ...</i>	DATE 8-18-72
SIZE CODE C CS	NUMBER M7238-0-1
REV. D	
SHEET 11 OF 17	DIST.

FLOWS STATE	ADR	CLK	CIR	WR	CB	CD	CBA	BUS	DAD	SPS	ALU	SBC	SBM	SDM	SBA	UBF	SRX	RIF	UPF
E1 EI0	100	2	0	0	0	0	0	0	00	0	00	00	00	0	0	00	00	00	377
E5 DIV28	101	2	0	3	0	0	0	0	00	0	00	00	00	2	0	00	11	01	021
E1 EIS	102	2	0	3	1	0	0	0	00	0	00	00	00	2	0	00	01	14	007
E5 DIV32	103	2	0	3	0	0	0	0	00	0	00	00	00	2	0	00	11	01	023
E5 DIV30	104	2	0	3	0	0	0	0	00	0	00	00	00	2	0	00	11	01	050
E5 DIV36	105	2	0	3	0	0	0	0	00	0	00	00	00	2	0	00	11	01	045
E5 DIV38	106	2	0	3	1	0	0	0	00	0	00	00	00	2	0	00	10	00	074
E5 DIV22	107	2	0	3	0	0	0	0	00	0	00	00	00	2	0	00	11	01	021
E3 MUL6	110	2	0	0	1	0	0	0	00	0	00	00	00	0	0	00	10	00	133
E3 MUL22	111	4	0	0	0	1	0	0	00	0	23	00	00	0	0	00	00	00	113
E3 MUL21	112	4	0	0	0	1	0	0	10	0	06	00	00	0	0	00	10	00	111
E3 MUL23	113	2	0	3	0	0	0	0	00	0	00	00	00	2	0	00	11	01	114
E3 MUL27	114	2	0	0	1	0	0	0	00	0	00	00	00	0	0	00	10	00	133
E3 MUL25	115	4	0	0	0	1	0	0	00	0	00	00	00	0	0	00	00	00	141
E3 MUL24	116	2	0	0	0	0	0	0	00	0	00	00	00	0	0	00	00	00	115
	117	0	0	0	0	0	0	0	00	0	00	00	00	0	0	00	00	00	000
F2 ADD0	120	2	0	0	1	0	0	0	00	0	00	00	00	0	0	00	01	13	251
F1 FP1	121	2	0	3	1	0	0	0	00	0	00	00	00	1	0	00	01	11	125
F2 SUB0	122	0	0	0	0	1	0	0	00	0	20	00	00	2	0	00	00	00	120
E2 ASH6	123	0	0	3	1	1	0	0	00	0	11	00	00	2	0	00	10	00	123
F4 FML0	124	6	0	0	0	0	0	0	00	0	00	00	00	2	0	00	00	00	130
F1 FP2	125	7	0	3	0	1	1	1	00	0	11	02	17	2	0	00	04	00	131
F5 FDV0	126	2	0	0	0	0	0	0	00	0	00	00	00	2	0	00	00	00	004
E2 ASH20	127	2	0	0	0	0	0	0	00	0	00	00	00	0	0	00	00	00	177
F4 FML1	130	2	0	0	1	0	0	0	00	0	00	00	00	0	0	00	01	14	132
F1 FP3	131	2	0	3	1	0	0	0	00	0	00	00	00	1	0	00	01	13	151
F4 FML2	132	6	0	3	0	1	0	0	00	0	11	00	00	2	0	00	01	15	041
E3 MUL9	133	0	0	0	0	1	0	0	14	0	00	00	00	3	0	00	00	00	133
F5 FDV20	134	2	0	0	1	0	0	0	00	0	00	00	00	0	0	00	00	00	154
F1 FP5	135	2	0	0	1	0	0	0	00	0	00	00	00	0	0	00	01	11	155
F0 NOM6	136	2	0	3	0	0	0	0	00	0	00	00	00	2	0	00	01	15	305
E3 MUL10	137	4	0	0	0	1	0	0	00	0	00	00	00	0	0	00	00	00	167

This drawing and specifications, herein, are the property of Digital Equipment Corporation and shall not be reproduced or copied or used in whole or in part as the basis for the manufacture or sale of items without written permission.

NOTE:

THE COMPLEMENT OF THE ACTUAL ROM OUTPUT FOR THE UPF, WR, SPS (HIGH 2 BITS), BU (LOW BIT), AND CLK (LOW BIT) FIELD IS LISTED FOR CLARIT

FLOWS STATE	ADR	CON	FCI	FUB	MHR	FRD	ERD	SHD	SDR	CVM	NZM	CCC	GPC	CEE	CNT	EUB	CBR
E1 EI0	100	0	0	0	0	0	0	0	0	0	0	0	0	0	0	17	1
E5 DIV28	101	0	0	0	0	0	0	3	0	0	0	0	0	0	0	00	1
E1 EIS	102	0	0	0	0	0	0	0	0	0	0	0	0	0	0	00	0
E5 DIV32	103	0	0	0	0	0	0	3	0	0	0	0	0	0	0	00	1
E5 DIV30	104	0	0	0	0	0	0	1	0	0	0	0	0	0	0	00	0
E5 DIV36	105	0	0	0	0	0	0	0	0	0	0	0	0	0	0	00	0
E5 DIV38	106	0	0	0	0	0	0	0	0	0	0	0	0	0	0	01	0
E5 DIV22	107	0	0	0	0	0	0	3	0	0	0	0	0	0	0	00	0
E3 MUL6	110	0	0	0	0	0	0	3	0	0	0	0	0	0	1	00	0
E3 MUL22	111	0	0	0	0	0	0	0	0	0	0	0	0	0	0	04	0
E3 MUL21	112	0	0	0	0	0	0	0	0	0	0	0	0	0	0	10	0
E3 MUL23	113	0	0	0	0	0	0	0	0	0	0	0	0	0	0	00	0
E3 MUL27	114	0	0	0	0	0	0	3	0	0	0	0	0	0	1	00	0
E3 MUL25	115	0	0	0	0	0	1	1	0	2	0	2	0	0	0	00	0
E3 MUL24	116	0	0	0	0	0	1	1	0	0	0	0	0	0	0	00	0
	117	0	0	0	0	0	0	0	0	0	0	0	0	0	0	00	0
F2 ADD0	120	0	0	0	0	0	0	0	0	0	0	0	0	0	0	03	0
F1 FP1	121	0	0	0	0	0	0	0	0	0	0	0	0	0	0	00	1
F2 SUB0	122	0	0	0	0	1	0	0	0	0	0	0	0	0	0	00	1
E2 ASH6	123	0	0	0	0	0	0	0	3	0	3	0	0	0	1	10	1
F4 FML0	124	0	0	0	0	0	0	0	0	0	0	0	0	0	0	00	1
F1 FP2	125	0	0	0	0	0	0	3	0	0	0	0	0	0	0	00	0
F5 FDV0	126	0	0	0	0	0	0	0	0	0	0	0	0	0	0	00	1
E2 ASH20	127	0	0	0	0	0	0	0	0	2	4	0	0	0	0	00	0
F4 FML1	130	0	0	1	0	0	0	0	0	2	4	0	0	0	0	02	0
F1 FP3	131	0	0	0	0	0	0	0	0	0	0	0	0	0	0	00	0
F4 FML2	132	0	0	0	0	0	0	3	0	0	0	0	0	0	0	00	0
E3 MUL9	133	0	0	0	0	0	1	3	1	2	0	1	2	0	1	10	1
F5 FDV20	134	0	0	0	3	0	0	0	0	0	0	0	0	0	0	00	1
F1 FP5	135	0	0	0	0	0	0	0	0	0	0	0	0	0	0	00	0
F0 NOM6	136	0	0	0	0	0	0	0	0	0	0	0	0	0	0	10	0
E3 MUL10	137	0	0	0	0	0	1	3	0	0	0	0	0	0	0	00	0

REVISIONS
CHANGE NO.
REV.

DRN	<i>R. P. ...</i>	DATE	8-16-72
CHK'D	<i>J. ...</i>	DATE	8-17-72
ENG	<i>J. ...</i>	DATE	8-17-72
PROJ. ENG.	<i>J. ...</i>	DATE	8-18-72
PROD.	<i>J. ...</i>	DATE	8-18-72

<b>digital</b>	<b>QUIP</b>	<b>ENT</b>
<b>ORPO</b>	<b>ION</b>	
<b>WARD, MAE</b>	<b>USETTS</b>	
TITLE		
EIS BARI		
(ADRS 100-137)		
SIZE CODE	NUMBER	REV.
C CS-	M7238-0-1	D

FLOW	STATE	ADR	CLK	CLR	WR	CR	CU	CRA	BUS	DAD	SPS	ALU	SBC	SBM	SDM	SBA	UBF	SRX	RIF	UPF
F6	NOM14	140	2	0	3	1	1	0	0	00	0	11	01	17	2	0	00	01	15	142
E3	MUL26	141	2	0	3	0	0	0	0	00	0	00	00	00	2	0	00	10	00	177
F6	EX10	142	2	0	0	0	0	0	0	00	0	00	00	00	0	0	00	00	00	332
E3	MUL11	143	4	0	0	0	1	0	0	00	0	20	00	00	0	0	00	00	00	005
F1	FP12	144	2	0	3	0	1	0	0	00	0	00	00	00	2	0	00	01	11	244
E1	DST12	145	2	0	3	1	0	0	0	00	0	00	00	00	1	0	00	01	12	275
F1	FP10	146	2	0	3	1	1	0	0	00	0	23	00	00	2	0	00	01	13	252
E4	DIV14	147	2	0	0	0	0	0	0	00	0	00	00	00	0	0	00	10	00	062
F4	FML5	150	6	0	3	0	1	0	0	00	0	06	00	00	2	0	00	01	15	365
F1	FP4	151	6	0	3	0	1	0	0	00	0	11	00	00	2	0	00	01	13	135
		152	0	0	0	0	0	0	0	00	0	00	00	00	0	0	00	00	00	000
E4	DIV20	153	6	0	0	0	1	0	0	14	0	00	00	00	2	0	00	00	00	153
F6	NOM1	154	6	0	3	0	1	0	0	00	0	11	01	17	2	0	00	01	15	324
F1	FP6	155	6	0	3	1	1	0	0	00	0	11	00	00	2	0	00	01	11	175
F6	NOM8	156	6	0	0	0	1	0	0	00	0	11	01	17	2	0	00	00	00	174
E5	DIV21	157	4	0	0	0	1	0	0	00	0	00	00	00	0	0	00	00	00	107
F5	FDV6	160	4	0	0	0	1	0	0	00	0	11	00	00	0	0	00	00	00	344
F6	EX14	161	6	0	0	1	0	0	0	00	0	00	00	00	0	0	00	00	00	256
F5	FDV5	162	6	0	3	1	1	0	0	00	0	23	00	00	2	0	00	01	15	176
F2	ADD13	163	4	0	0	0	1	0	0	10	0	06	00	00	0	0	00	00	00	340
F2	ADD5	164	2	0	0	1	0	0	0	00	0	00	00	00	0	0	00	01	11	165
F2	ADD6	165	4	0	0	0	1	0	0	00	0	06	00	00	0	0	00	00	00	202
F5	FDV3	166	4	0	0	0	1	0	0	00	0	00	00	00	0	0	00	00	00	350
E3	MUL20	167	2	0	3	0	0	0	0	00	0	00	00	00	2	0	00	10	00	143
E1	DST4	170	3	0	3	0	0	0	1	00	0	00	00	00	2	0	00	04	00	271
F5	FDV11	171	2	0	0	0	0	0	0	00	0	00	00	00	0	0	00	01	10	042
F4	FML8	172	2	0	0	0	0	0	0	00	0	00	00	00	0	0	00	01	10	210
F5	FDV13	173	6	0	0	0	1	0	0	14	0	00	00	00	2	0	00	00	00	331
F6	NOM9	174	2	0	0	0	0	0	0	00	0	00	00	00	0	0	00	00	00	273
F1	FP7	175	4	0	0	0	1	0	0	00	0	32	00	16	0	0	00	00	00	367
F6	NOM3	176	2	0	0	0	1	0	0	06	0	00	00	00	1	0	00	04	00	220
F2	ASH15	177	6	0	0	0	0	0	0	00	7	00	00	00	0	0	00	00	00	323

This drawing and specifications, herein, are the property of Digital Equipment Corporation and shall not be reproduced or copied or used in whole or in part as the basis for the manufacture or sale of items without written permission.

NOTE:  
THE COMPLEMENT OF THE ACTUAL ROM OUTPUT FOR THE UPF, WR, SPS (HIGH 2 BITS), BUS (LOW BIT), AND CLK (LOW BIT) FIELD IS LISTED FOR CLARITY.

FLOW	STATE	ADR	CON	FC1	FUB	MHR	FRD	ERD	SRD	SDR	CVH	NZM	CCC	GPC	CEE	CNT	EUB	CBR
F6	NOM14	140	0	0	0	1	0	0	0	1	0	0	0	0	0	0	00	1
E3	MUL26	141	0	0	0	0	0	0	0	0	1	3	5	0	0	0	00	0
F6	EX10	142	0	0	0	0	1	0	2	0	0	0	0	0	0	0	00	1
E3	MUL11	143	0	0	0	0	0	1	3	0	2	0	2	0	0	0	04	0
F1	FP12	144	0	0	0	0	0	0	1	0	0	0	0	0	0	0	00	0
E1	DST12	145	0	0	0	0	0	0	0	0	0	0	0	0	0	0	00	0
F1	FP10	146	0	0	1	0	0	0	0	0	0	0	0	0	0	0	00	1
E4	DIV14	147	0	0	0	0	0	0	0	3	0	0	0	0	0	0	00	1
F4	FML5	150	0	0	0	0	0	0	0	0	0	0	0	0	0	0	00	0
F1	FP4	151	0	0	0	0	0	0	0	4	0	1	0	0	0	0	00	0
		152	0	0	0	0	0	0	0	0	0	0	0	0	0	0	00	0
E4	DIV20	153	0	0	0	0	0	1	2	2	0	0	0	2	0	1	10	1
F6	NOM1	154	0	0	1	0	0	0	0	0	0	0	1	0	0	0	04	0
F1	FP6	155	0	0	0	0	0	0	0	0	0	0	4	0	0	0	10	0
F6	NOM8	156	0	0	0	0	1	0	1	0	4	0	1	0	0	0	00	1
F5	DIV21	157	0	0	0	0	0	1	3	0	0	0	0	0	0	0	12	0
F5	FDV6	160	0	0	0	0	1	0	3	0	0	0	0	6	0	0	00	0
F6	EX14	161	2	0	0	0	1	0	3	0	1	3	6	0	0	0	00	0
F5	FDV5	162	0	0	0	0	0	0	0	0	0	0	0	0	0	0	00	1
F2	ADD13	163	0	0	0	0	0	0	0	0	2	4	0	0	0	2	00	0
F2	ADD5	164	0	0	0	0	0	0	0	0	0	0	0	0	0	0	00	0
F2	ADD6	165	0	0	0	0	0	0	0	0	0	0	0	4	0	0	00	0
F5	FDV3	166	1	0	0	0	1	0	3	0	1	0	1	0	0	0	00	0
F3	MUL20	167	0	0	0	0	0	0	3	0	0	0	0	0	0	0	05	0
E1	DST4	170	0	0	0	0	0	0	0	0	0	0	0	0	0	0	16	0
F5	FDV11	171	0	0	0	7	0	0	0	0	0	0	0	0	0	0	00	1
F4	FML8	172	0	0	0	7	0	0	0	0	0	0	0	0	0	0	00	1
F5	FDV13	173	0	0	1	0	0	1	1	3	4	0	1	2	0	0	05	1
F6	NOM9	174	0	0	0	3	0	0	1	0	0	0	0	0	0	0	00	0
F1	FP7	175	0	0	0	0	0	0	0	0	0	0	0	0	0	0	10	0
F6	NOM3	176	0	1	0	3	0	0	1	3	0	2	4	0	0	0	00	0
F2	ASH15	177	0	0	0	0	0	1	0	0	0	0	0	0	1	0	00	0

REVISIONS	REV.
CHANGE NO.	
CHK	

DRN <i>R. Andelto</i>		DATE 8-16-72
CHK'D <i>J. Ryznar</i>		DATE 8-17-72
ENG. <i>J. Ryznar</i>		DATE 8-17-72
PRG. ENG. <i>J. Ryznar</i>		DATE 8-18-72
PROD. <i>H. Stinger</i>		DATE 8-18-72
TITLE		EIS BOARD
		(ADRS 140-177)
SIZE CODE	NUMBER	REV.
C CS	M7238-0-1	D
DIST.		

This drawing and specifications, herein, are the property of Digital Equipment Corporation and shall not be reproduced or copied or used in whole or in part as the basis for the manufacture or sale of items without written permission.

FLWS	STATE	ADR	CLK	CIR	WR	CB	CD	CBA	BUS	DAD	SPS	ALU	SBC	SBM	SDM	SBA	UBF	SRX	RIF	UPF
F2	ADD39	200	2	0	3	0	0	0	0	00	0	00	00	00	2	0	00	01	13	072
E3	MUL0	201	0	0	0	0	1	0	0	00	0	32	12	17	2	0	00	00	00	014
F2	ADD7	202	2	0	3	0	0	0	0	00	0	00	00	00	2	0	00	01	11	300
E4	DIV0	203	0	0	0	0	1	0	0	00	0	32	12	17	2	0	00	00	00	303
E3	MUL8	204	2	0	0	0	0	0	0	00	0	00	00	00	0	0	00	00	00	001
E2	ASH0	205	2	0	0	0	0	0	0	00	0	00	00	00	0	0	00	00	00	311
E2	ASH19	206	4	0	0	0	1	0	0	00	0	00	00	00	0	0	00	11	01	127
E2	ASH7	207	2	0	0	0	0	0	0	00	0	00	00	00	0	0	00	11	01	351
F4	FML9	210	2	0	0	0	0	0	0	00	0	00	00	00	0	0	00	00	00	212
F5	FDV24	211	0	0	0	1	0	0	10	0	06	00	00	2	0	00	00	00	00	032
F4	FML10	212	2	0	0	1	0	0	0	00	0	00	00	00	0	0	00	01	13	213
F4	FML11	213	4	0	0	0	1	0	0	00	0	00	00	00	0	0	00	00	00	232
F6	NOM11	214	2	0	0	0	0	0	0	00	0	00	00	00	0	0	00	00	00	216
F2	ADD16	215	2	0	0	0	0	0	0	00	0	00	00	00	0	0	00	01	13	200
F6	NOM12	216	2	0	0	0	0	0	0	00	0	00	00	00	0	0	00	00	00	234
F4	FML18	217	0	0	0	1	0	0	0	00	0	00	00	00	2	0	00	00	00	330
F6	EXI7	220	0	0	0	1	0	3	00	0	00	00	00	0	0	00	00	00	00	336
E1	DST15	221	2	0	3	1	0	0	0	00	0	00	00	00	1	0	00	01	12	241
F6	EXI3	222	0	0	0	1	0	2	00	0	03	00	00	2	0	00	00	00	00	224
E2	ASH11	223	0	0	3	1	1	0	0	00	0	00	00	00	3	0	00	10	00	223
F6	EXI12	224	2	0	0	0	0	2	00	0	00	00	00	2	0	00	00	00	00	161
F2	ADD10	225	0	0	0	1	0	0	00	0	06	00	00	2	0	00	00	00	00	245
F2	ADD15	226	4	0	0	1	0	0	00	0	00	00	00	0	0	00	00	00	00	215
E2	ASH12	227	4	0	0	0	1	0	0	00	0	00	00	00	0	0	00	00	00	077
F4	FML16	230	2	0	0	1	0	0	0	00	0	00	00	00	0	0	00	01	11	250
E4	DIV3	231	2	0	0	0	0	0	0	00	0	00	00	00	0	0	00	00	00	020
F4	FML12	232	2	0	0	0	0	0	0	00	0	00	00	00	3	0	00	00	00	304
F3	ADD35	233	0	0	0	1	1	0	0	00	0	36	00	00	0	0	00	00	00	360
F6	NOM13	234	0	0	0	1	1	0	0	00	0	00	00	00	0	0	00	01	15	140
F1	FP9	235	4	0	0	0	1	0	0	00	0	11	00	14	0	0	00	00	00	144
F6	EXI1	236	4	0	0	0	1	0	0	00	0	00	00	00	0	0	00	00	00	254
F3	ADD25	237	2	0	0	0	0	0	0	00	0	00	00	00	2	0	00	00	00	341

NOTE:  
THE COMPLEMENT OF THE ACTUAL ROM OUTPUT FOR THE UPF, WR, SPS (HIGH 2 BITS), BUS (LOW BIT), AND CLK (LOW BIT) FIELD IS LISTED FOR CLARITY.

FLWS	STATE	ADR	CON	FC1	FUB	MHR	FRD	ERD	SRD	SDR	CVM	NZM	CCC	GPC	CEE	CNT	EUB	CBR
F2	ADD39	200	0	0	0	0	0	1	0	0	0	0	0	0	0	0	00	0
E3	MUL0	201	0	0	0	0	0	0	0	0	0	0	0	0	0	0	03	1
F2	ADD7	202	0	0	0	0	0	0	0	0	0	0	0	0	0	0	00	0
E4	DIV0	203	0	0	0	0	0	0	0	0	0	0	0	0	0	0	00	1
E3	MUL8	204	0	0	0	0	0	0	3	0	0	0	0	0	0	0	00	1
E2	ASH0	205	0	0	0	0	0	0	0	0	0	0	0	0	0	2	13	0
E2	ASH19	206	0	0	0	0	1	3	0	0	0	0	0	0	0	0	00	0
E2	ASH7	207	0	0	0	0	0	0	0	2	0	2	0	0	0	2	13	1
F4	FML9	210	0	0	0	3	0	0	0	0	0	0	0	0	0	0	00	1
F5	FDV24	211	0	0	0	0	1	3	4	0	1	0	0	0	0	0	00	1
F4	FML10	212	2	0	0	0	0	3	3	0	0	0	0	0	0	0	00	0
F4	FML11	213	0	0	1	0	0	1	3	0	0	0	0	0	0	1	01	0
F6	NOM11	214	0	0	0	0	0	0	3	0	0	0	0	0	0	0	00	0
F2	ADD16	215	0	0	0	0	0	0	0	0	0	0	0	0	0	0	00	1
F6	NOM12	216	0	0	1	1	0	0	1	0	0	0	1	0	0	0	04	1
F4	FML18	217	0	0	0	0	1	1	3	0	0	0	0	0	0	0	00	1
F6	EXI7	220	0	0	0	0	1	0	1	0	0	0	0	0	0	0	00	0
E1	DST15	221	0	0	0	0	0	0	0	0	0	0	0	0	0	0	00	0
F6	EXI3	222	2	0	0	0	0	3	0	0	0	0	0	0	0	0	00	1
E2	ASH11	223	0	0	0	0	0	1	1	2	0	1	0	0	1	10	1	1
F6	EXI12	224	2	0	0	0	0	3	0	0	0	0	0	0	0	0	00	1
F2	ADD10	225	0	0	0	0	0	0	0	0	0	0	0	4	0	0	00	1
F2	ADD15	226	0	0	0	0	1	0	1	0	0	0	0	0	0	2	00	0
E2	ASH12	227	0	0	0	0	0	1	1	0	0	0	0	0	0	0	00	0
F4	FML16	230	0	0	0	0	0	1	0	0	0	0	7	0	0	0	10	0
E4	DIV3	231	0	0	0	0	0	0	0	0	0	0	0	0	0	0	00	0
F4	FML12	232	0	0	0	5	0	0	1	0	0	0	7	0	0	0	10	1
F3	ADD35	233	0	0	0	0	0	1	1	0	0	0	0	0	0	0	00	0
F6	NOM13	234	0	0	0	0	0	0	0	0	0	0	0	0	0	0	00	1
F1	FP9	235	0	0	1	0	1	0	3	0	0	0	0	0	0	0	00	0
F6	EXI1	236	1	0	0	0	1	0	3	0	0	0	0	0	0	0	11	0
F3	ADD25	237	0	0	0	0	0	0	0	0	0	0	7	0	1	10	0	0

REV.	
CHANGE NO.	
REVISIONS	

DRN	<i>R. Rudel</i>	DATE	8-16-72
CHK'D.	<i>R. Rudel</i>	DATE	8-17-72
ENG.	<i>R. Rudel</i>	DATE	8-17-72
PROJ. ENG.	<i>R. Rudel</i>	DATE	8-18-72
PROD. MGR.	<i>R. Rudel</i>	DATE	8-18-72

digital EQUIPMENT CORPORATION	
MAYNARD, MASSACHUSETTS	
TITLE	
EIS BOARD	
(ADRS 200-237)	
SIZE CODE	NUMBER
C-65	M7238-0-1
REV.	D



This drawing and specifications, herein, are the property of Digital Equipment Corporation and shall not be reproduced or copied or used in whole or in part as the basis for the manufacture or sale of items without written permission.

FLWS	STATE	ADR	CLK	CIR	WR	CB	CD	CBA	BUS	DAD	SPS	ALU	SBC	SBM	SDM	SBA	UBF	SRX	RIF	UPF
E1	EI2	240	4	0	0	0	1	0	0	00	0	32	00	17	0	0	00	00	00	102
E1	DST16	241	5	0	0	0	0	1	1	00	0	11	00	00	0	0	00	04	00	265
F1	FP0	242	3	0	0	0	0	1	1	00	0	00	00	00	2	1	00	04	00	121
E2	ASH17	243	6	0	3	1	1	0	0	00	0	11	00	00	2	0	00	10	00	243
F1	FP13	244	7	0	3	0	1	1	1	00	0	11	02	17	2	0	00	04	00	121
F2	ADD11	245	2	0	0	1	0	0	0	00	0	00	00	00	0	0	00	01	14	373
F1	FP14	246	2	0	0	1	0	0	0	00	0	00	00	00	0	0	00	00	00	255
F2	ASH15	247	4	0	0	0	1	0	0	00	0	00	00	00	0	0	00	00	00	077
F4	FML17	250	6	0	0	0	1	0	0	00	0	11	00	00	2	0	00	00	00	213
F2	ADD1	251	4	0	0	0	1	0	0	10	0	06	00	00	0	0	00	00	00	300
F1	FP11	252	2	0	3	0	1	0	0	00	0	00	00	00	2	0	00	01	11	244
F4	BRQ2	253	6	0	0	1	0	0	0	00	0	00	00	00	0	0	00	00	00	355
F6	EXI2	254	2	0	3	0	0	0	0	00	0	00	00	00	2	0	00	01	14	220
F1	FP15	255	6	0	0	0	1	0	0	00	0	26	00	00	0	0	00	00	00	120
F6	EXI5	256	6	0	0	0	0	0	0	00	7	00	00	00	0	0	00	00	00	354
F4	BRQ3	257	6	0	0	1	0	0	0	00	0	00	00	00	0	0	00	00	00	355
E1	DST0	260	4	0	0	0	1	0	0	00	0	00	00	00	0	0	00	04	00	261
E1	DST1	261	2	0	3	1	0	0	0	00	0	00	00	00	2	0	00	01	12	201
E1	DST10	262	3	0	0	0	0	1	1	00	0	00	00	00	0	1	00	04	00	271
F4	FML7	263	2	0	0	0	0	0	0	00	0	00	00	00	0	0	00	01	12	172
E1	DST2	264	4	0	0	0	1	1	0	00	0	11	02	17	0	1	00	04	00	170
E1	DST6	265	2	0	3	1	0	0	0	00	0	00	00	00	1	0	00	01	12	366
E1	DST5	266	7	0	3	0	1	1	1	00	0	11	02	17	2	1	00	04	00	265
F5	FDV10	267	2	0	0	0	0	0	0	00	0	00	00	00	0	0	00	00	00	171
E1	DST3	270	4	0	0	0	1	1	0	00	0	06	01	17	0	0	00	04	00	170
E1	DST8	271	2	0	3	1	0	0	0	00	0	00	00	00	1	0	00	01	12	201
E1	DST9	272	7	0	0	0	1	1	1	00	0	06	01	17	0	0	00	04	00	265
F6	NOM10	273	6	0	0	0	1	0	0	00	0	11	00	00	2	0	00	00	00	214
E1	DST11	274	7	0	3	0	1	0	1	00	0	11	02	17	2	0	00	01	07	145
E1	DST13	275	5	0	0	0	0	1	1	00	0	11	00	00	0	0	00	04	00	271
E1	DST14	276	7	0	3	0	1	0	1	00	0	11	02	17	2	0	00	01	07	221
F4	FML15	277	6	0	0	0	1	0	0	00	0	11	00	00	2	0	00	00	00	230

NOTE:  
THE COMPLEMENT OF THE ACTUAL ROM OUTPUT FOR THE UPF, WR, SPS (HIGH 2 BITS), BUS (LOW BIT), AND CLK (LOW BIT) FIELD IS LISTED FOR CLARITY.

FLWS	STATE	ADR	CON	FC1	FUB	MHR	FRD	ERD	SRD	SDR	CVM	NZM	CCC	GPC	CEE	CNT	EUB	CBR
E1	EI2	240	0	0	0	0	0	0	0	0	0	0	0	0	1	0	00	0
E1	DST16	241	0	0	0	0	0	0	0	0	0	0	0	0	0	0	00	0
F1	FP0	242	0	0	0	0	0	0	0	0	0	0	0	0	0	0	00	0
E2	ASH17	243	0	0	0	0	0	0	1	2	3	0	3	3	0	1	10	1
F1	FP13	244	0	0	0	7	0	0	0	0	0	2	4	0	0	0	00	0
F2	ADD11	245	0	0	0	0	0	0	3	0	3	4	0	0	0	0	00	0
F1	FP14	246	0	0	0	0	0	1	1	0	0	0	0	0	0	0	15	0
F2	ASH15	247	0	0	0	0	0	1	1	0	0	0	0	0	0	0	00	0
F4	FML17	250	2	0	0	0	0	1	1	3	0	0	4	0	0	0	00	1
F2	ADD1	251	0	0	0	0	0	0	0	4	0	1	0	0	0	0	00	0
F1	FP11	252	0	0	0	0	0	1	0	0	0	0	0	0	0	0	00	0
F4	BRQ2	253	2	0	0	0	1	0	3	0	0	0	0	0	0	0	00	0
F6	EXI2	254	0	1	0	0	0	0	0	0	0	0	0	0	0	0	00	0
F1	FP15	255	0	0	0	0	1	0	0	0	0	0	0	0	0	0	00	1
F6	EXI5	256	0	0	0	0	0	1	0	0	0	0	0	0	1	0	00	0
F4	BRQ3	257	2	0	0	0	1	0	3	0	0	0	0	0	0	0	00	0
E1	DST0	260	0	0	0	0	0	0	0	0	0	0	0	0	0	0	16	0
E1	DST1	261	0	0	0	0	0	0	0	0	0	0	0	0	0	0	00	1
E1	DST10	262	0	0	0	0	0	0	0	0	0	0	0	0	0	0	16	0
F4	FML7	263	0	0	0	0	0	0	0	0	0	0	0	0	0	2	00	1
E1	DST2	264	0	0	0	0	0	0	0	0	0	0	0	0	0	0	00	0
E1	DST6	265	3	0	0	0	0	0	0	0	0	0	0	0	0	0	00	0
E1	DST5	266	0	0	0	0	0	0	0	0	0	0	0	0	0	0	00	0
F5	FDV10	267	0	0	0	0	0	0	0	3	0	0	0	0	0	0	00	1
E1	DST3	270	0	0	0	0	0	0	0	0	0	0	0	0	0	0	00	0
E1	DST8	271	0	0	0	0	0	0	0	0	0	0	0	0	0	0	00	0
E1	DST9	272	0	0	0	0	0	0	0	0	0	0	0	0	0	0	00	1
F6	NOM10	273	0	0	0	0	0	1	1	0	0	0	4	0	0	0	10	1
E1	DST11	274	0	0	0	0	0	0	0	0	0	0	0	0	0	0	00	0
E1	DST13	275	0	0	0	0	0	0	0	0	0	0	0	0	0	0	16	0
E1	DST14	276	0	0	0	0	0	0	0	0	0	0	0	0	0	0	00	0
F4	FML15	277	0	0	0	0	0	1	1	3	4	0	1	0	0	0	00	1

REV
CHANGE NO.
REVISIONS

DRN	<i>R. Pindel</i>	DATE	8-16-72
CHK'D	<i>J. Ruzynski</i>	DATE	8-17-72
ENG	<i>J. Ruzynski</i>	DATE	8-17-72
PROJ. ENG.	<i>J. Ruzynski</i>	DATE	8/18/72
PROD.	<i>J. Ruzynski</i>	DATE	8/18/72

digital EQUIPMENT CORPORATION MAYNARD, MASSACHUSETTS	
TITLE	
EIS BOARD	
(ADRS 240-277)	
SIZE CODE	NUMBER
C CS	M7238-0-1
REV.	D

FLWS	STATE	ADR	CLK	CIR	WR	CB	CD	CBA	BUS	DAD	SPS	ALU	SBC	SBM	SDM	SBA	UBF	SRX	RIF	UPF
F2	ADD2	300	2	0	0	1	0	0	0	00	0	00	00	00	0	0	00	01	12	064
F2	ADD18	301	2	0	0	0	0	0	0	00	0	00	00	00	0	0	00	01	11	321
F2	ADD4	302	6	0	3	0	0	0	0	00	0	00	00	00	2	0	00	01	13	164
E4	DIV1	303	4	0	0	0	1	0	0	00	0	32	00	00	0	0	00	00	00	055
F4	FML13	304	2	0	0	1	0	0	0	00	0	00	00	00	0	0	00	01	13	213
F6	NOM7	305	2	0	0	0	0	0	0	00	0	00	00	00	0	0	00	00	00	156
F4	FML14	306	2	0	0	1	0	0	0	00	0	00	00	00	0	0	00	01	13	277
F6	NOM5	307	4	0	0	0	1	0	0	00	0	06	00	00	0	0	00	01	15	136
F2	ADD21	310	2	0	3	0	0	0	0	00	0	00	00	00	2	0	00	01	15	340
E2	ASH1	311	2	0	0	1	1	0	0	00	0	00	00	00	2	0	00	10	00	030
F5	FDV19	312	2	0	0	0	0	0	0	00	0	00	00	00	0	0	00	00	00	134
F3	ADD27	313	2	0	0	0	0	0	0	00	0	00	00	00	0	0	00	00	00	313
F3	ADD33	314	2	0	0	1	0	0	0	00	0	00	00	00	0	0	00	00	00	334
F3	ADD32	315	6	0	0	0	1	0	0	00	0	11	00	00	2	0	00	00	00	314
F5	FDV16	316	2	0	0	0	1	0	0	00	0	00	00	00	2	0	00	00	00	333
F3	ADD30	317	6	0	0	0	1	0	0	00	0	11	00	00	2	0	00	00	00	347
F2	ADD8	320	2	0	0	0	0	0	0	00	0	00	00	00	0	0	00	01	10	245
F2	ADD19	321	2	0	3	0	0	0	0	00	0	00	00	00	2	0	00	01	11	325
F2	ADD9	322	2	0	0	1	0	0	0	00	0	00	00	00	0	0	00	01	10	225
E2	ASH21	323	2	0	0	0	0	0	0	00	0	00	00	00	0	0	00	00	00	017
F6	NOM4	324	2	0	0	0	0	1	0	06	0	00	00	00	1	0	00	04	00	305
F2	ADD20	325	4	0	0	0	1	0	0	00	0	00	00	00	0	0	00	01	14	310
F6	NOM2	326	2	0	3	1	1	0	0	00	0	23	00	00	2	0	00	01	15	176
F6	NOM0	327	2	0	0	1	0	0	0	00	0	00	00	00	0	0	00	00	00	154
F4	FML19	330	2	0	0	1	0	0	0	00	0	00	00	00	0	0	00	00	00	154
F5	FDV14	331	2	0	0	1	0	0	0	00	0	00	00	00	0	0	00	01	11	370
F6	EXI14	332	4	0	0	0	1	0	0	00	0	32	00	16	0	0	00	00	00	236
F5	FDV12	333	2	0	0	1	0	0	0	00	0	00	00	00	0	0	00	01	13	173
F3	ADD34	334	6	0	0	0	1	0	0	10	0	06	00	00	2	0	00	00	00	233
F3	ADD37	335	2	0	0	1	0	0	0	00	0	00	00	00	0	0	00	00	00	334
F6	EXI8	336	2	0	0	1	0	0	0	00	0	00	00	00	0	0	00	00	00	356
F5	FDV17	337	2	0	0	0	0	0	0	00	0	00	00	00	0	0	00	00	00	352

This drawing and specifications, herein, are the property of Digital Equipment Corporation and shall not be reproduced or copied or used in whole or in part as the basis for the manufacture or sale of items without written permission.

NOTE:

THE COMPLEMENT OF THE ACTUAL ROM OUTPUT FOR THE UPF, WR, SPS (HIGH 2 BITS), BUS (LOW BIT) AND CLK (LOW BIT) FIELD IS LISTED FOR CLARITY.

FLWS	STATE	ADR	CON	FC1	FUB	MHR	FRD	ERD	SRD	SDR	CVM	NZM	CCC	GPC	CEE	CNT	EUB	CBR
F2	ADD2	300	0	0	0	0	0	0	0	0	0	0	0	0	0	0	05	1
F2	ADD18	301	0	0	0	0	0	0	0	0	0	0	0	0	0	0	10	1
F2	ADD4	302	0	0	0	0	0	0	0	0	0	0	0	0	0	0	00	0
E4	DIV1	303	0	0	0	0	0	0	0	0	0	0	0	0	0	0	00	0
F4	FML13	304	2	0	0	0	0	0	0	0	0	0	0	0	0	0	00	0
F6	NOM7	305	0	0	0	1	0	0	1	1	0	0	0	0	0	0	10	0
F4	FML14	306	0	0	0	0	0	0	1	0	0	0	0	0	0	0	00	0
F6	NOM5	307	0	0	1	2	0	0	0	2	0	0	0	5	0	0	04	0
F2	ADD21	310	0	0	0	0	0	0	0	0	0	0	0	0	0	0	00	0
E2	ASH1	311	0	0	0	0	0	0	0	2	0	1	0	0	1	00	1	1
F5	FDV19	312	0	0	0	0	1	0	0	0	0	0	0	0	0	00	1	1
F3	ADD27	313	2	0	0	1	0	0	1	1	0	0	0	7	0	1	10	0
F3	ADD33	314	0	0	0	0	1	0	1	3	0	2	4	0	0	00	0	0
F3	ADD32	315	0	0	0	0	0	1	1	0	0	0	4	0	0	10	1	1
F5	FDV16	316	0	0	0	6	0	1	2	2	0	0	0	0	0	00	1	1
F3	ADD30	317	0	0	0	0	1	0	1	0	4	0	1	0	0	00	1	1
F2	ADD8	320	0	0	0	0	0	0	0	0	0	0	0	0	0	00	1	1
F2	ADD19	321	0	0	0	0	0	0	0	3	0	0	0	0	0	00	0	0
F2	ADD9	322	0	0	0	3	0	0	0	0	0	0	0	0	0	00	0	0
E2	ASH21	323	0	0	0	0	0	0	0	0	0	0	0	0	0	00	0	0
F6	NOM4	324	0	0	0	0	0	0	0	0	0	0	0	0	0	00	0	0
F2	ADD20	325	0	0	0	0	0	0	0	0	0	0	0	0	0	00	0	0
F6	NOM2	326	0	0	0	0	0	0	0	0	0	0	0	0	0	00	1	1
F6	NOM0	327	0	0	0	0	0	0	0	0	0	0	0	0	0	04	1	1
F4	FML19	330	0	0	0	3	0	0	0	0	0	0	0	0	0	00	1	1
F5	FDV14	331	0	0	0	0	0	1	0	0	0	0	0	0	1	10	0	0
F6	EXI14	332	0	0	0	0	0	0	0	5	2	5	0	0	0	00	0	0
F5	FDV12	333	0	0	0	0	0	1	0	0	0	0	7	0	0	00	0	0
F3	ADD34	334	0	0	0	0	0	1	0	4	0	1	0	0	0	03	1	1
F3	ADD37	335	0	0	0	0	1	0	1	3	0	0	0	0	0	00	0	0
F6	EXI8	336	0	0	0	0	0	1	3	0	0	0	0	0	0	00	0	0
F5	FDV17	337	0	0	0	0	1	0	1	0	0	0	0	0	0	00	0	1

REV.	CHANGE NO.

DRN <i>G. Puddick</i>	DATE 8-16-72
CHK'D <i>J. Burroughs</i>	DATE 8-17-72
ENG <i>J. Burroughs</i>	DATE 8-17-72
PROJ. ENGR <i>J. Burroughs</i>	DATE 8-18-72
PROD. OFFICER <i>J. Burroughs</i>	DATE 8-18-72

<b>digital</b> EQUIPMENT CORPORATION MAYNARD, MASSACHUSETTS	
TITLE <b>EIS BOARD</b> (ADRS 300-337)	
SIZE/CODE C CS	NUMBER M7238-0-1
REV. D	

This drawing and specifications, herein, are the property of Digital Equipment Corporation and shall not be reproduced or copied or used in whole or in part as the basis for the manufacture or sale of items without written permission.

FLWS	STATE	ADR	CLK	CIR	WR	CB	CD	CBA	BUS	DAD	SPS	ALU	SBC	SBM	SDM	SBA	UBF	SRX	RIF	UPF
F3	ADD22	340	6	0	0	1	1	0	0	00	0	14	00	00	2	0	00	01	13	017
F3	ADD26	341	2	0	0	0	0	0	0	00	0	00	00	00	0	0	00	00	00	313
F2	ADD14	342	2	0	0	0	0	0	0	00	0	00	00	00	2	0	00	00	00	226
F3	ADD28	343	2	0	0	0	0	0	0	00	0	00	00	00	0	0	00	00	00	317
F5	FDV7	344	2	0	3	0	0	0	0	00	0	00	00	00	2	0	00	01	15	346
F5	FDV8	345	0	0	0	0	0	0	0	00	0	00	00	00	0	0	00	00	00	000
F5	FDV8	346	6	0	0	0	1	0	0	00	0	11	02	17	2	0	00	00	00	364
F3	ADD31	347	2	0	0	1	0	0	0	00	0	00	00	00	0	0	00	01	11	315
F5	FDV4	350	2	0	3	0	0	0	0	00	0	00	00	00	2	0	00	01	14	222
E2	ASH8	351	6	0	0	1	1	0	0	00	0	00	00	00	2	0	00	10	00	040
F5	FDV18	352	2	0	0	0	0	0	0	00	0	00	00	00	0	0	00	00	00	312
F3	BRQ0	353	2	0	0	1	0	0	0	00	0	00	00	00	0	0	00	00	00	355
F6	EXI6	354	6	0	3	0	1	0	0	10	0	06	00	00	2	0	00	04	00	007
F4	BRQ4	355	6	0	3	0	1	0	0	10	0	06	00	00	2	0	00	04	00	375
F6	EXI9	356	6	0	3	0	1	1	0	06	0	06	01	17	2	0	00	04	00	374
F3	BRQ1	357	2	0	0	1	0	0	0	00	0	00	00	00	0	0	00	00	00	355
F3	ADD38	360	2	0	0	0	0	0	0	00	0	00	00	00	0	0	00	00	00	327
F3	ADD24	361	2	0	0	0	0	0	0	00	0	00	00	00	0	0	00	00	00	237
F3	ADD36	362	6	0	0	1	1	0	0	00	0	06	00	00	2	0	00	00	00	335
F3	ADD29	363	2	0	0	0	0	0	0	00	0	00	00	00	2	0	00	00	00	314
F5	FDV9	364	2	0	0	0	0	0	0	00	0	00	00	00	0	0	00	01	12	267
F4	FML6	365	6	0	0	0	0	0	0	00	0	00	00	00	0	0	00	00	00	263
E1	DST7	366	3	0	0	0	0	1	1	00	0	00	00	00	0	1	00	01	12	271
F1	FP8	367	2	0	3	0	0	0	0	00	0	00	00	00	2	0	00	01	15	235
F5	FDV15	370	6	0	0	0	1	0	0	00	0	11	00	00	2	0	00	00	00	316
F5	BRQ6	371	6	0	0	1	0	0	0	00	0	00	00	00	0	0	00	00	00	355
F5	FDV22	372	6	0	0	0	1	0	0	00	0	06	00	00	2	0	00	00	00	316
F2	ADD12	373	6	0	0	1	1	0	0	10	0	06	00	00	2	0	00	01	15	163
F6	EXI10	374	5	0	0	0	1	0	1	00	0	32	00	00	0	0	00	00	00	376
F6	BRQ5	375	6	0	3	0	1	0	0	00	0	06	01	17	2	0	00	01	07	017
F6	EXI11	376	2	0	0	0	0	0	0	00	0	00	00	00	0	0	00	00	00	177
E1	EI1	377	2	0	0	0	0	0	0	00	0	00	00	00	0	0	00	00	00	240

NOTE:

THE COMPLEMENT OF THE ACTUAL ROM OUTPUT FOR THE UPF, WR, SPS (HIGH 2 BITS), BUS (LOW BIT), AND CLK (LOW BIT) FIELD IS LISTED FOR CLARITY.

FLWS	STATE	ADR	CON	FC1	FUB	MHR	FRD	ERD	SRD	SDR	CVM	NZM	CCC	GPC	CEE	CNT	EUB	CBR
F3	ADD22	340	0	0	1	0	0	0	0	0	4	0	1	0	0	1	03	1
F3	ADD26	341	0	0	0	0	0	0	0	0	0	0	0	0	0	1	10	0
F2	ADD14	342	0	0	0	0	0	0	0	0	0	0	0	0	0	10	1	
F3	ADD28	343	0	0	0	2	0	0	1	2	0	0	0	5	0	0	00	0
F5	FDV7	344	3	0	0	0	0	0	3	0	0	0	0	0	0	10	0	
F5	FDV8	345	0	0	0	0	0	0	0	0	0	0	0	0	0	00	0	
F5	FDV8	346	3	0	0	0	1	0	3	0	0	0	0	0	0	00	1	
F3	ADD31	347	0	0	0	3	0	0	1	0	0	0	0	0	0	00	0	
F5	FDV4	350	0	0	0	0	0	0	1	0	0	0	0	0	0	00	0	
E2	ASH8	351	0	0	0	0	0	0	3	3	0	0	0	0	0	1	00	1
F5	FDV18	352	0	0	0	0	0	0	0	3	0	0	0	0	0	00	0	
F3	BRQ0	353	2	0	0	0	1	0	3	0	0	0	0	0	0	00	0	
F6	EXI6	354	0	0	0	0	0	0	0	0	0	0	0	0	0	00	0	
F4	BRQ4	355	0	0	0	0	0	0	0	0	0	0	0	1	0	00	0	
F6	EXI9	356	0	1	0	0	0	0	0	0	0	0	0	0	0	00	0	
F3	BRQ1	357	2	0	0	0	1	0	3	0	0	0	0	0	0	00	0	
F3	ADD38	360	0	0	0	1	0	0	0	1	0	0	0	0	0	00	0	
F3	ADD24	361	0	0	1	0	0	1	2	0	0	0	0	0	0	02	1	
F3	ADD36	362	0	0	0	3	0	0	1	0	0	0	0	4	0	00	1	
F3	ADD29	363	0	0	0	3	0	0	0	0	0	0	0	0	0	10	1	
F5	FDV9	364	0	0	0	0	0	0	0	0	0	0	0	0	2	00	1	
F4	FML6	365	3	0	0	0	1	0	3	0	0	0	0	0	0	00	1	
E1	DST7	366	0	0	0	0	0	0	0	0	0	0	0	0	0	16	0	
F1	FP8	367	0	0	0	0	0	0	3	0	0	2	4	0	0	04	0	
F5	FDV15	370	0	0	0	0	0	1	1	3	4	0	1	4	0	10	1	
F5	BRQ6	371	2	0	0	0	1	0	3	0	0	0	0	0	0	00	0	
F5	FDV22	372	0	0	0	0	0	1	1	3	4	0	1	4	0	10	1	
F2	ADD12	373	0	0	0	0	0	0	0	0	0	0	0	0	0	01	1	
F6	EXI10	374	0	0	0	0	0	0	0	0	0	0	0	0	0	00	0	
F6	BRQ5	375	0	0	0	0	0	0	0	0	0	0	0	0	0	00	0	
F6	EXI11	376	0	0	0	0	0	0	0	0	5	2	7	0	0	00	0	
E1	EI1	377	0	0	0	0	0	0	0	0	0	0	7	0	0	00	0	

REV.	
CHANGE NO.	
REVISIONS	

DRN	<i>R. P. ...</i>	DATE	8-16-72
CHK'D.	<i>R. P. ...</i>	DATE	8-17-72
ENG.	<i>R. P. ...</i>	DATE	8-17-72
PROJ. MGR.	<i>R. P. ...</i>	DATE	8-17-72
PROD.	<i>R. P. ...</i>	DATE	8-18-72

<b>digital</b> EQUIPMENT CORPORATION MAYNARD, MASSACHUSETTS	
TITLE	
EIS BOARD	
(ADRS 340-377)	
SIZE	CODE
C	CS
NUMBER	REV.
M7238-0-1	D

**DIGITAL EQUIPMENT CORPORATION**  
MAYNARD, MASSACHUSETTS

**SOFTWARE LIST**

MADE BY <i>J. Foley</i>	CHECKED <i>J. Foley</i>	SECTION
DATE <i>9-26-72</i>	DATE <i>9-27-72</i>	
ENG <i>J. Foley</i>	PROD <i>J. Foley</i>	ISSUED SECT.
DATE <i>9-27-72</i>	DATE <i>9-28-72</i>	

**LEGEND**  
 D DOCUMENT CHANGE  
 DN DOCUMENT NOTICE  
 PA PAPER TAPE ASCII  
 PB PAPER TAPE BINARY  
 PM PAPER TAPE READ-IN-MODE

ITEM NO.	DWG NO. / PART NO.	DESCRIPTION	LEGEND	QUANTITY / VARIATION	KIT CHECK	INSTALLATION CHECK
1	MA INDEC-11-DCKBI-A-D	ASH INSTRUCTION TEST		1		
2	MA INDEC-11-DCKBI-A-PB	ASH INSTRUCTION TEST		1		
3	MA INDEC-11-DCKBJ-A-D	ASHC INSTRUCTION TEST		1		
4	MA INDEC-11-DCKBJ-A-PB	ASHC INSTRUCTION TEST		1		
5	MA INDEC-11-DCKBK-A-D	MUL INSTRUCTION TEST		1		
6	MA INDEC-11-DCKBK-A-PB	MUL INSTRUCTION TEST		1		
7	MA INDEC-11-DCKBL-A-D	DIV INSTRUCTION TEST		1		
8	MA INDEC-11-DCKBL-A-PB	DIV INSTRUCTION TEST		1		
9	MA INDEC-11-DCQKA-A-D	MUL/DIV EXERCISER		1		
10	MA INDEC-11-DCQKA-A-PB	MUL/DIV EXERCISER		1		

DEC FORM NO. DRA 120

TITLE	EXPANDED INSTRUCTION SET	ASSY. NO.	<i>74</i>	SIZE CODE	<b>A SL</b>	NUMBER	KELL-E-SL	REV.		ECC NO.	
		SHEET	1 OF 1	DIST.							