

"THE MATERIAL HEREIN IS FOR INFORMATION PURPOSES ONLY AND IS SUBJECT TO CHANGE WITHOUT NOTICE. DIGITAL EQUIPMENT CORPORATION ASSUMES NO RESPONSIBILITY FOR ANY ERRORS WHICH MAY APPEAR HEREIN." 1983

FIELD MAINTENANCE PRINT SET

"THIS DRAWING AND SPECIFICATIONS HEREIN, ARE THE PROPERTY OF DIGITAL EQUIPMENT CORPORATION AND SHALL NOT BE REPRODUCED OR COPIED OR USED IN WHOLE OR IN PART AS THE BASIS FOR THE MANUFACTURE OR SALE OF ITEMS WITHOUT WRITTEN PERMITS ON. COPYRIGHT © 1983 DIGITAL EQUIPMENT CORPORATION."

TABLE OF CONTENTS

B-DD-L0008-0	DRAWING DIRECTORY
E-UA-L0008-0-YA	UNIT ASSEMBLY DRAWING
E-EC-5015549-0-0	ETCH CUT DRAWING
K-PL-L0008-0-08P	PARTS LIST
K-CS-L0008-0-1	CIRCUIT SCHEMATICS
K-CS-L0008-0-2	CIRCUIT SCHEMATICS
K-CS-L0008-0-3	CIRCUIT SCHEMATIC
K-CS-L0008-0-4	CIRCUIT SCHEMATIC
K-CS-L0008-0-5	CIRCUIT SCHEMATIC
K-CS-L0008-0-6	CIRCUIT SCHEMATIC
K-CS-L0008-0-7	CIRCUIT SCHEMATIC
K-CS-L0008-0-8	CIRCUIT SCHEMATIC
K-CS-L0008-0-9	CIRCUIT SCHEMATIC
K-CS-L0008-0-10	CIRCUIT SCHEMATIC
K-CS-L0008-0-11	CIRCUIT SCHEMATIC
K-CS-L0008-0-12	CIRCUIT SCHEMATIC
K-CS-L0008-0-13	CIRCUIT SCHEMATIC
K-CS-L0008-0-14	CIRCUIT SCHEMATIC
K-CS-L0008-0-15	CIRCUIT SCHEMATIC
K-CS-L0008-0-16	CIRCUIT SCHEMATIC
K-CS-L0008-0-17	CIRCUIT SCHEMATIC
K-CS-L0008-0-18	CIRCUIT SCHEMATIC
K-CS-L0008-0-19	CIRCUIT SCHEMATIC
K-CS-L0008-0-20	CIRCUIT SCHEMATIC

UNIT VARIATIONS COVERED BY THIS PRINT SET
L0008-YA

Field Maintenance Print Set

750PCS

Digital Equipment Corporation

MPO1390

REV. A
DRAWING NUMBER L0008-0-1
SIZE CODE TC
B

REV. NO.	DATE	CHG. NO.	USED ON OPTION/MODEL	DRN.	DATE	digital			
				A. RUSZCZYK	4/22/83				
CHK'D	DATE	TITLE: 11/750 PCS MODULE							
T. McCULLOUGH	4/22/83								
PROJ. ENG.	DATE	SIZE	CODE	NUMBER	REV.				
J. STARK	5/19/82	B	TC	L0008-0-1	A				
FIELD SERV.	DATE	DIST.							
J. POWERS	5/19/82								
SHEET 1 OF 1									

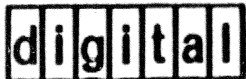
TW

DRAWING NO.	NO. OF SHTS	PART NO.	DESCRIPTION	REVISIONS																																
		L0008	PARTS REVISION	A																																
E-MD-5015549-0-0	7		DRILL AND ETCH DRAWING	A																																
		5015549-0	ETCH BOARD	B																																
E-1A-L0008-0-YA	1		UNIT ASSEMBLY	A																																
E-1A-L0008-0-YB	1		UNIT ASSEMBLY	A																																
E-1A-L0008-0-YC	1		UNIT ASSEMBLY	A																																
E-EC-5015549-0-0	2		ETCH CUT	A																																
K-PL-L0008-0-DBP	3		PARTSLIST	A																																
K-PC-L0008-0-DBI	-		P.C. DATABASE	B																																
KCS-L0008-0-01	1		SCHEMATIC	A																																
KCS-L0008-0-02	1		SCHEMATIC	A																																
KCS-L0008-0-03	1		SCHEMATIC	A																																
KCS-L0008-0-04	1		SCHEMATIC	A																																
KCS-L0008-0-05	1		SCHEMATIC	A																																
KCS-L0008-0-06	1		SCHEMATIC	A																																
KCS-L0008-0-07	1		SCHEMATIC	A																																
KCS-L0008-0-08	1		SCHEMATIC	A																																
KCS-L0008-0-09	1		SCHEMATIC	A																																
KCS-L0008-0-10	1		SCHEMATIC	A																																
KCS-L0008-0-11	1		SCHEMATIC	A																																
KCS-L0008-0-12	1		SCHEMATIC	A																																
KCS-L0008-0-13	1		SCHEMATIC	A																																
KCS-L0008-0-14	1		SCHEMATIC	A																																
KCS-L0008-0-15	1		SCHEMATIC	A																																
KCS-L0008-0-16	1		SCHEMATIC	A																																
KCS-L0008-0-17	1		SCHEMATIC	A																																

NOTES:

REVISIONS
DATE CHG NO. REV.

"THIS DRAWING AND SPECIFICATIONS, HEREIN, ARE THE PROPERTY OF DIGITAL EQUIPMENT CORPORATION AND SHALL NOT BE REPRODUCED OR COPIED OR USED IN WHOLE OR IN PART AS THE BASIS FOR THE MANUFACTURE OR SALE OF ITEMS WITHOUT WRITTEN PERMISSION.
COPYRIGHT © 1983 DIGITAL EQUIPMENT CORPORATION



USED ON OPTION/MODEL

DRM *Thomas F. Wake* 1-24-83
 CHECKED *Thomas F. Wake* 1-24-83
 ENGR *John J. Corbett* 15-APR 83
 PROD. *John J. Corbett* 15-APR 83

TITLE
PCS
 SIZE CODE NUMBER REV.
 B DD L0008-0 A
 SHEET 1 OF 2

DRAWING NO.	NO. OF SHTS.	PART NO.	DESCRIPTION	REVISIONS																				
K-CS-L0008-0-18	1		SCHEMATIC	A																				
K-CS-L0008-0-19	1		SCHEMATIC	A																				
K-CS-L0008-0-20	1		SCHEMATIC	A																				

NOTES:

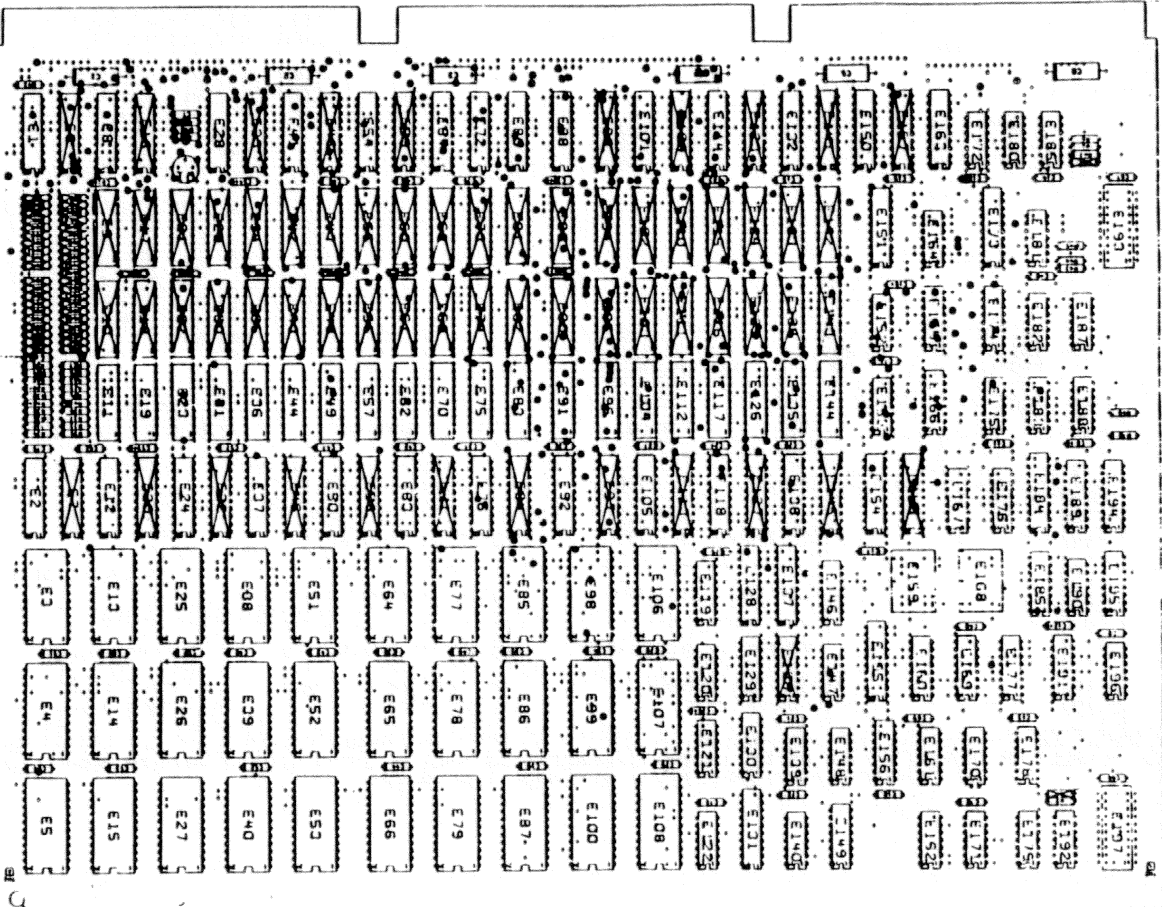
REVISIONS		DATE	CHG NO.	REV.

"THIS DRAWING AND SPECIFICATIONS, HEREIN, ARE THE PROPERTY OF DIGITAL EQUIPMENT CORPORATION AND SHALL NOT BE REPRODUCED OR COPIED OR USED IN WHOLE OR IN PART AS THE BASIS FOR THE MANUFACTURE OR SALE OF ITEMS WITHOUT WRITTEN PERMISSION.



COPYRIGHT © DIGITAL EQUIPMENT CORPORATION

USED ON OPTION/MODEL		DRN	<i>Thomas F. Wash</i>	1-24-83	TITLE	PCS					
		CHK'D	<i>Thomas F. Wash</i>	1-24-83	SIZE	DD	NUMBER	L0008-0		REV.	A
		ENG.	<i>Carl Stark</i>	1-24-83	B		SHEET 2 OF 2				
		PROD.	<i>Thomas F. Wash</i>	1-24-83							



1	2	3	4	5	6	7	8	9	10
11	12	13	14	15	16	17	18	19	20
21	22	23	24	25	26	27	28	29	30
31	32	33	34	35	36	37	38	39	40
41	42	43	44	45	46	47	48	49	50
51	52	53	54	55	56	57	58	59	60
61	62	63	64	65	66	67	68	69	70
71	72	73	74	75	76	77	78	79	80
81	82	83	84	85	86	87	88	89	90
91	92	93	94	95	96	97	98	99	100

1	2	3	4	5	6	7	8	9	10
11	12	13	14	15	16	17	18	19	20
21	22	23	24	25	26	27	28	29	30
31	32	33	34	35	36	37	38	39	40
41	42	43	44	45	46	47	48	49	50
51	52	53	54	55	56	57	58	59	60
61	62	63	64	65	66	67	68	69	70
71	72	73	74	75	76	77	78	79	80
81	82	83	84	85	86	87	88	89	90
91	92	93	94	95	96	97	98	99	100

1	2	3	4	5	6	7	8	9	10
11	12	13	14	15	16	17	18	19	20
21	22	23	24	25	26	27	28	29	30
31	32	33	34	35	36	37	38	39	40
41	42	43	44	45	46	47	48	49	50
51	52	53	54	55	56	57	58	59	60
61	62	63	64	65	66	67	68	69	70
71	72	73	74	75	76	77	78	79	80
81	82	83	84	85	86	87	88	89	90
91	92	93	94	95	96	97	98	99	100

COMPONENT 100 100

LINE ITEM	DOCUMENT NUMBER	PART NUMBER	DESCRIPTION	QTY PER VARIATION			REFERENCE DESIGNATOR
				YA	YB	YC	
1	42	5015549-00	DRILL AND ETCH	1	1	1	
2	1	1013465-22	.1 MFD 50V .80-20* Z5U CFR	61			C7-C30, C32-C35, C37-C40, C42-C54, C57, C59, C63, C66-C75
		CONT					C7-C75
3	44	1017472-00	10 MFD 35V .50-10* AL EL	6	6	6	C1-C5
4	43	1216988-02	HANDLE MODULE HEX TWO EJECTORS	1	1	1	
5	37	1300247-00	120.0 .25 W 5.0 *	1	1	1	R46
6	34	1300309-00	390.0 .25 W 5.0 *	10			R23, R25, R27, R29, R31, R33, R35, R37, R39, R41
		CONT					R23, R25, R27, R29, R31, R33, R35, R37, R39, R41, R3, R5, R7, R9, R11, R13, R15, R17, R19, R21
		CONT					R23, R25, R27, R29, R31, R33, R35, R37, R39, R41, R3, R5, R7, R9, R11, R13, R15, R17, R19, R21, R51, R53, R55, R57, R59, R61, R63, R65, R67, R69
7	32	1300316-00	470.0 .25 W 5.0 *	5	5	5	R1, R43, R45, R47, R70
8	35	1301424-00	630.0 .25 W 5.0 *	1	1	1	R44
9	33	1301972-00	270.0 .25 W 5.0 *	10			R22, R24, R26, R28, R30, R32, R34, R36, R38, R40
		CONT					R22, R24, R26, R28, R30, R32, R34, R36, R38, R40, R2, R4, R6, R8, R10, R12, R14, R16, R18, R20
		CONT					R22, R24, R26, R28, R30, R32, R34, R36, R38, R40, R2, R4, R6, R8, R10, R12, R14, R16, R18, R20, R50, R52, R54, R56, R58, R60, R62, R64, R66, R68
10	38	1302379-00	75.0 .25 W 5.0 *	2	2	2	R48, R49
11	35	1311522-00	200.0 .25 W 5.0 *	1	1	1	R42
12	40	1503121-00	2N 2369 NPN 350MW SI	1	1	1	Q1

REVISION HISTORY		BASIC PART NO: L0008		DRN: R.LOVE		DATE: 15-NOV-82		D I G I T A L	
ENG	ECO NUMBER	REV	SECTION A OF A	CHK'D:	F.GERRY	DATE:	15-NOV-82	TITLE PARTS LIST	
	INITIAL	A	SECTION VARIATION INDEX YA, YB, YC	DES. ENG.:	J. STARK	DATE:	15-NOV-82	PCS 750	
			(A)	RESP. ENG.:	J. STARK	DATE:	15-NOV-82	DOCUMENT NUMBER	
			(B)	MFG. ENG.:	B. NEUMANN	DATE:	15-NOV-82	SIZE/	CODE/
			(C)	ASSEMBLY NUMBER:	E-UA-L0008-0-0	TOP DOCUMENT NUMBER:	B-DD-L0008-0-0	NUMBER	REV
			(D)					K	PL
			(E)					L0008-0-DBP	A
			(F)					FILE NAME:	EDIT
			(G)					23928A.PLS	20
			(H)						
			(I)						
			(J)						
			(K)						
			(L)						
			(M)						
			(N)						

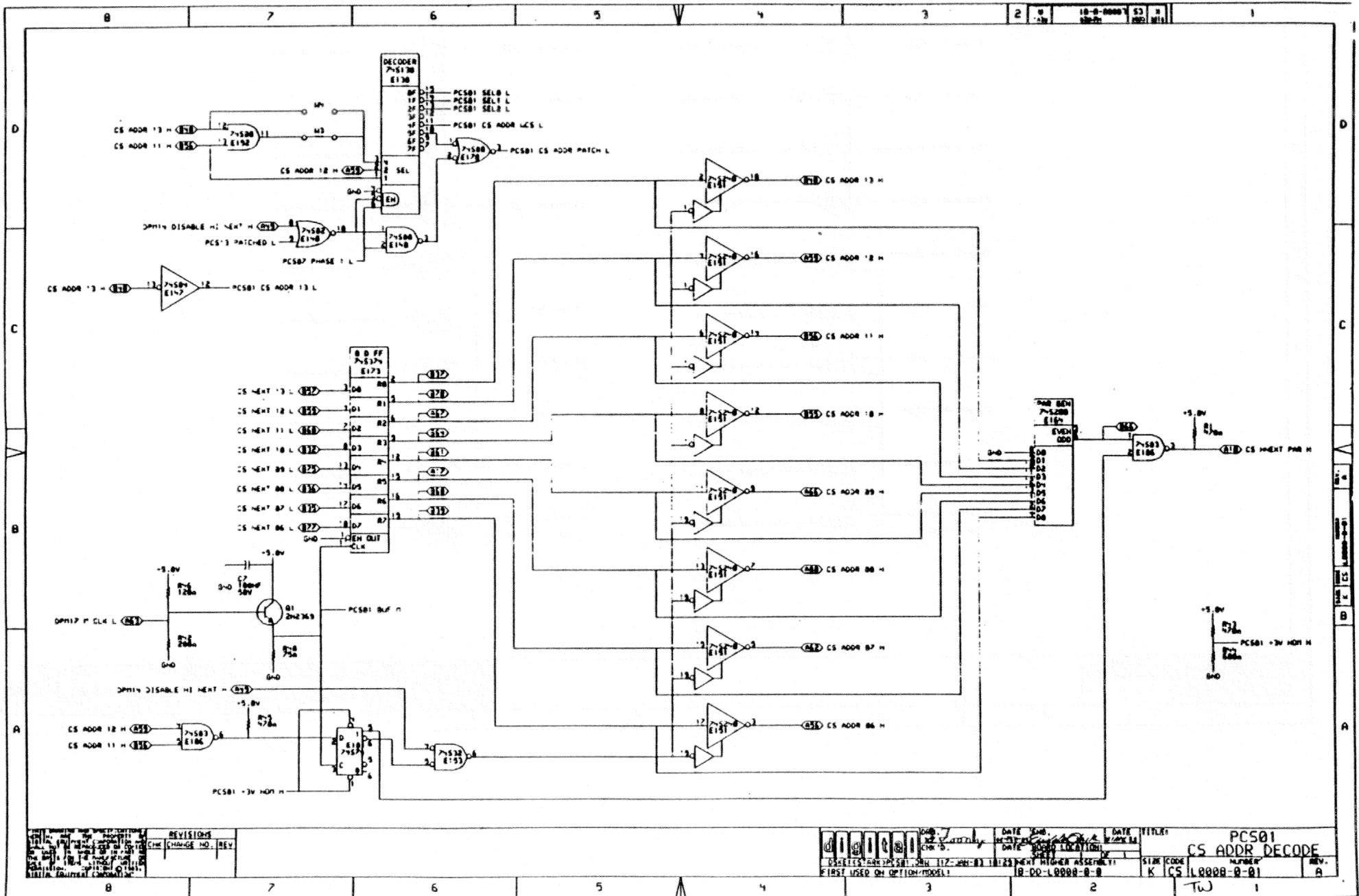
THIS DRAWING AND SPECIFICATIONS HEREIN, ARE THE PROPERTY OF DIGITAL EQUIPMENT CORPORATION AND SHALL NOT BE REPRODUCED OR COPIED OR USED IN WHOLE OR IN PART AS THE BASIS FOR THE MANUFACTURE OR SALE OF ITEMS WITHOUT WRITTEN PERMISSION.
COPYRIGHT (C) 1983. DIGITAL EQUIPMENT CORPORATION

LINE	ITEM	DOCUMENT NUMBER	PART NUMBER	DESCRIPTION	QTY PER VARIATION			REFERENCE DESIGNATOR
					YA	YB	YC	
13	18		1811660-01	OSCILLATOR, XTAL 10.000 MHZ	1	1	1	E159
14	41		1811660-29	OSCILLATOR, XTAL 18.750 MHZ	1	1	1	E168
15	13		1910532-00	74500 NAND GATE-QUAD 2IN	2	2	2	E148, E171
16	23		1910533-00	74503 NAND GATE-QUAD 2IN, O	2	2	2	E175, E185
17	10		1910534-00	74504 INVERTER GATE-HEX 1I	5	5	5	E139, E147, E162, E172, E190
18	20		1910536-00	74510 NAND GATE-TRIPLE 3IN	2	2	2	E161, E170
19	27		1910544-00	74574 FF-D DUAL, EDGE TRIGG	3	3	3	E181, E183, E188
20	29		1910546-00	745140 NAND GATE-DUAL 4INPU	1	1	1	E187
21	19		1910547-00	745153 MUX 1 OF 4 (DUAL)	6	6	6	E160, E167, E174, E176, E177, E191
22	14		1910549-00	745158 MUX 1 OF 2 (QUAD)	6	6	6	E149, E156, E165, E166, E169, E135
23	22		1911573-00	745280 PARITY GEN/CHKR, 9BIT	1	1	1	E164
24	6		1911675-00	745138 DECODER/DEMUX 3-8 LI	3	3	-	E119, E129, E130
			CONT		-	-	4	E119, E129, E130, E138
25	25		1911712-00	74551 AND-OR GATE-INVERT D	1	1	1	E179
26	31		1911983-00	745133 NAND GATE-POSITIVE 1	1	1	1	E195
27	11		1912388-00	74502 NOR GATE-QUAD 2IN, PO	1	1	1	E140
28	24		1912389-00	74508 AND GATE-QUAD 2IN, PO	2	2	2	E178, E192
29	7		1912746-00	DEC 74537 NAND GATE-QUAD 2IN	3	3	3	E120, E121, E122
30	26		1912803-00	LS04 INVERTER GATE, HEX	1	1	1	E180
31	16		1912830-00	LS90 COUNTER, ASYNCH UP, DE	1	1	1	E152
32	8		1912872-00	LS377 FF-D 8BIT W/ENABLE	2	2	2	E128, E137
33	17		1913340-00	74532 OR GATE-QUAD 2IN	1	1	1	E153
34	15		1913462-00	745240 OCTAL BUFFER, INVERTI	1	1	1	E151
35	2		1913493-00	745241 OCTAL BUFFER, TRI-STA	12	-	-	E1, E8, E28, E41, E54, E88, E101, E114, E132, E150, E155, E184
			CONT		-	22	22	E1, E6, E8, E16, E28, E33, E41, E46, E54, E59, E88, E93, E101, E109, E114, E123, E132, E141, E150, E155, E157, E184
36	21		1913671-00	745374 FF-D OCTAL TRISTATE	2	2	2	E163, E173
37	29		1914085-00	745260 NOR GATE-DUAL, POS	2	2	2	E182, E196
38	12		1914868-00	FF-D QUAD, COMMON R	1	1	1	E146
39	9		1915193-00	LS244 DRIVER, LINE, OCTAL, T	1	1	1	E131
40	3		1915218-00	LS245 TRANSCIEVER, BUS, OCT	15	-	-	E2, E12, E24, E37, E50, E63, E67, E72, E76, E80, E92, E105, E118, E136, E154, E2, E7, E12, E20, E24, E32, E37, E45, E50, E58, E63, E67, E71, E72, E76, E80, E84, E92, E97, E105, E113, E118, E127, E136, E145, E154, E158, E189, E194
			CONT		-	27	27	E11, E19, E23, E31, E36, E44, E49, E57, E62, E70, E75, E83, E91, E96, E104, E112, E117, E126, E135, E144, E11, E19, E23, E31, E36, E44, E49, E57, E62, E70, E75, E83, E91, E96, E104, E112, E117, E126, E135, E144, E9, E17, E21, E29, E34, E42, E47, E55, E60, E68, E73, E81, E89, E94, E102, E110, E115,
41	30		2114523-00	4K MOS RAM 55NS 18PIN	2	2	2	E189, E194
42	5		2116957-03	1K MOS RAM 55NS 1	20	-	-	E11, E19, E23, E31, E36, E44, E49, E57, E62, E70, E75, E83, E91, E96, E104, E112, E117, E126, E135, E144
			CONT		-	40	40	E11, E19, E23, E31, E36, E44, E49, E57, E62, E70, E75, E83, E91, E96, E104, E112, E117, E126, E135, E144, E9, E17, E21, E29, E34, E42, E47, E55, E60, E68, E73, E81, E89, E94, E102, E110, E115,

D	I	G	I	T	A	L	TITLE	PCS 750	SECTION A OF A	SIZE	CODE	DOCUMENT NUMBER	REV
										K	PL	L0008-0-DBP	A

LINE	ITEM	DOCUMENT NUMBER	PART NUMBER	DESCRIPTION	QTY PER VARIATION			REFERENCE DESIGNATOR
					A	B	C	
			CONT					E124,E133,E142
				*** THIS ITEM IS NOT USED ***				E9,E10,E11,E17,E18,E19,E21,E22,
43	4	BLANK						E23,E29,E30,E31,E34,E35,E36,E42,
44	45		23090F4-00	F4-01	1	1	1	E43,E44,E47,E48,E49,E55,E56,E57,
45	46		23091F4-00	F4-01	1	1	1	E60,E61,E62,E68,E69,E70,E73,E74,
46	47		23092F4-00	F4-01	1	1	1	E75,E81,E82,E83,E89,E90,E91,E94,
47	48		23093F4-00	F4-01	1	1	1	E95,E96,E102,E103,E104,E110,
48	49		23094F4-00	F4-01	1	1	1	E111,E112,E115,E116,E117,E124,
49	50		23095F4-00	F4-01	1	1	1	E125,E126,E133,E134,E135,E142,
50	51		23096F4-00	F4-01	1	1	1	E143,E144
51	52		23097F4-00	F4-01	1	1	1	
52	53		23098F4-00	F4-01	1	1	1	
53	54		23099F4-00	F4-01	1	1	1	
54	55		23100F4-00	F4-01	1	1	1	
55	56		23101F4-00	F4-01	1	1	1	
56	57		23102F4-00	F4-01	1	1	1	
57	58		23103F4-00	F4-01	1	1	1	
58	59		23104F4-00	F4-01	1	1	1	
59	60		23105F4-00	F4-01	1	1	1	
60	61		23106F4-00	F4-01	1	1	1	
61	62		23107F4-00	F4-01	1	1	1	
62	63		23108F4-00	F4-01	1	1	1	
63	64		23109F4-00	F4-01	1	1	1	
64	65		23110F4-00	F4-01	1	1	1	
65	66		23111F4-00	F4-01	1	1	1	
66	67		23112F4-00	F4-01	1	1	1	
67	68		23113F4-00	F4-01	1	1	1	
68	69		23114F4-00	F4-01	1	1	1	
69	70		23115F4-00	F4-01	1	1	1	
70	71		23116F4-00	F4-01	1	1	1	
71	72		23117F4-00	F4-01	1	1	1	
72	73		23118F4-00	F4-01	1	-	-	
73	74		23119F4-00	F4-01	1	-	-	
74	39		9009185-00	JUMPER, WIRE, INSULATED, BLACK B	2	-	-	W1,W3
			CONT		-	2	-	W2,W4
			CONT		-	-	1	W4
75	75		9000024-01	EYELET,ROLLED 0.12100X0.192	12	12	12	

D	I	G	I	T	A	L	TITLE	PCS 750	SECTION A OF A	SIZE:CODE:	DOCUMENT NUMBER	REV
										K PL	L0008-0-DBP	A

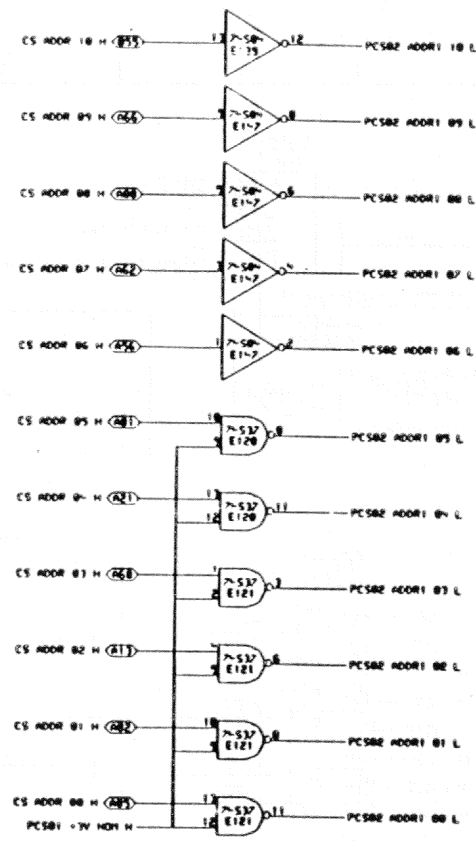
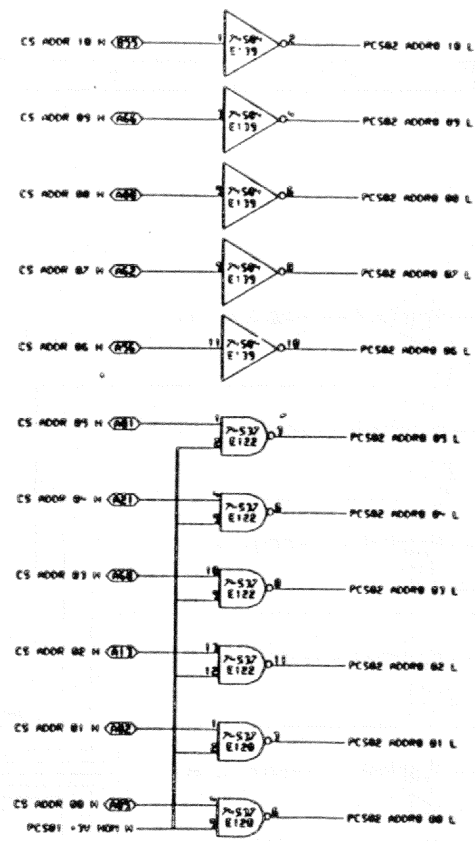


REV.	DATE	BY	CHK	CHANGE NO.	REV.

DATE	BY	DATE	FILED	PCSB1	CS ADDR DECODE

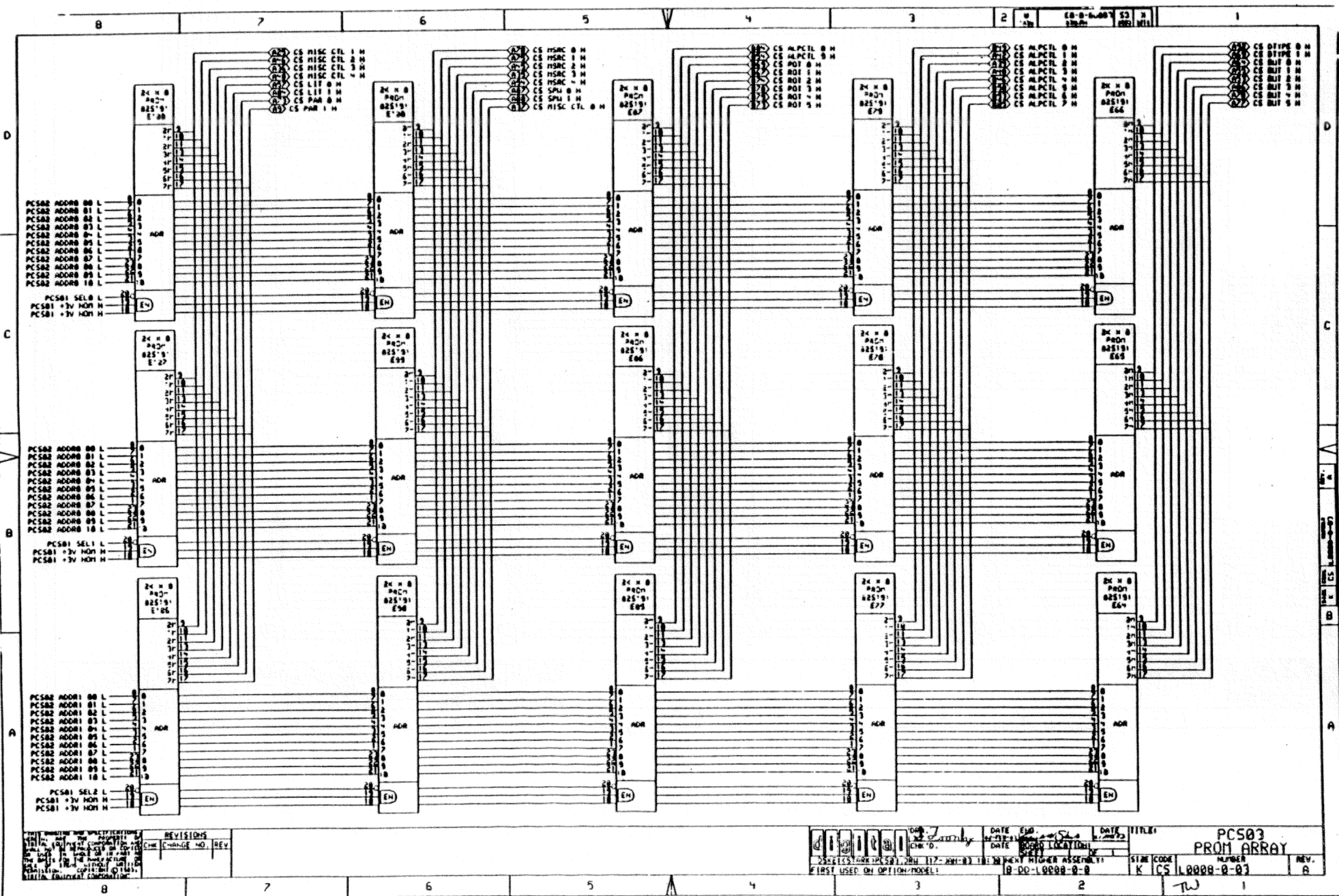
DISCRETS: PCSB1, 74513A, 74513B, 74507, 74508, 74509, 74510, 74511, 74512, 74513
 FIRST USED ON OPTION/MODEL: 18-DC-10000-0-0
 STAR CODE: K CS 10000-0-01
 NUMBER: TW
 REV. A

D
C
B
A



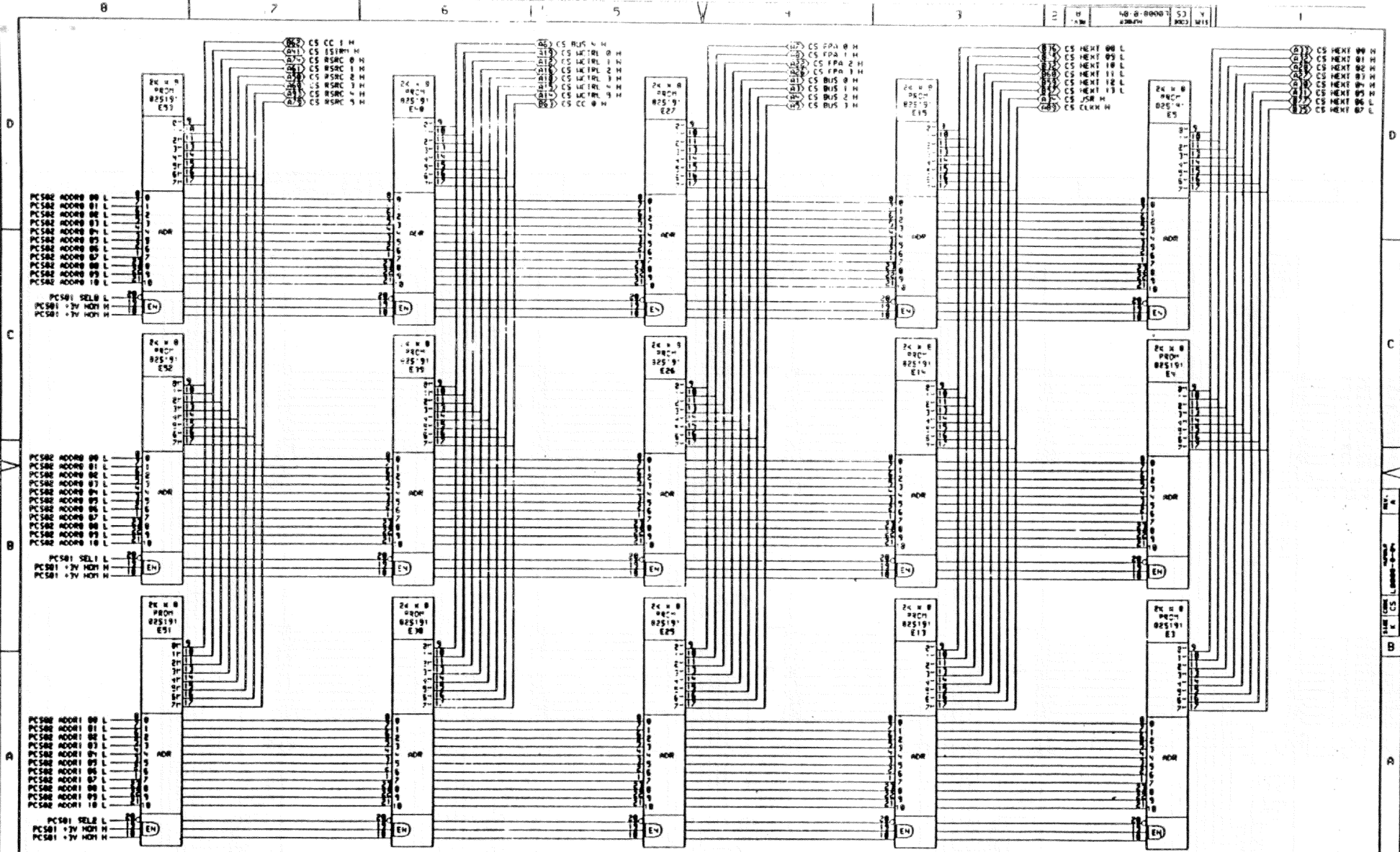
REVISIONS	
CHK	CHANGE NO. REV

DATE	25/11/77	DATE	25/11/77	TITLE	PCS02 ADDRESS BUFFERS
DATE	25/11/77	DATE	25/11/77	SIZE CODE	K
DATE	25/11/77	DATE	25/11/77	NUMBER	CS L0000-0-02
DATE	25/11/77	DATE	25/11/77	REV.	A



REVISIONS	DATE	BY	CHK'D
1			
2			
3			
4			
5			
6			
7			
8			

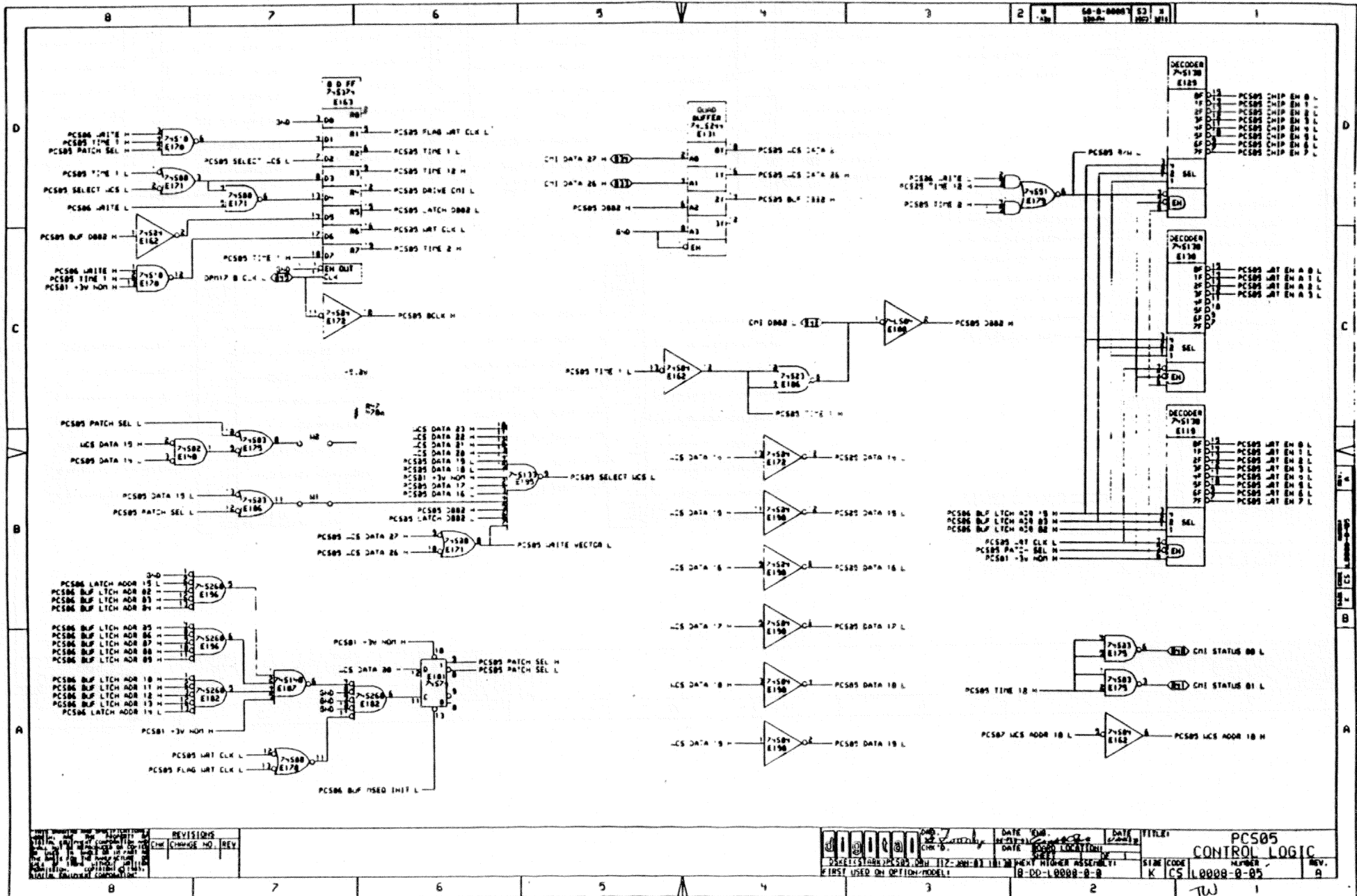
DATE ESD	DATE	TITLE	PCS03
DATE	DATE	NUMBER	PROM ARRAY
DATE	DATE	SIZE CODE	K
DATE	DATE	NUMBER	CS10000-0-03
DATE	DATE	REV.	A

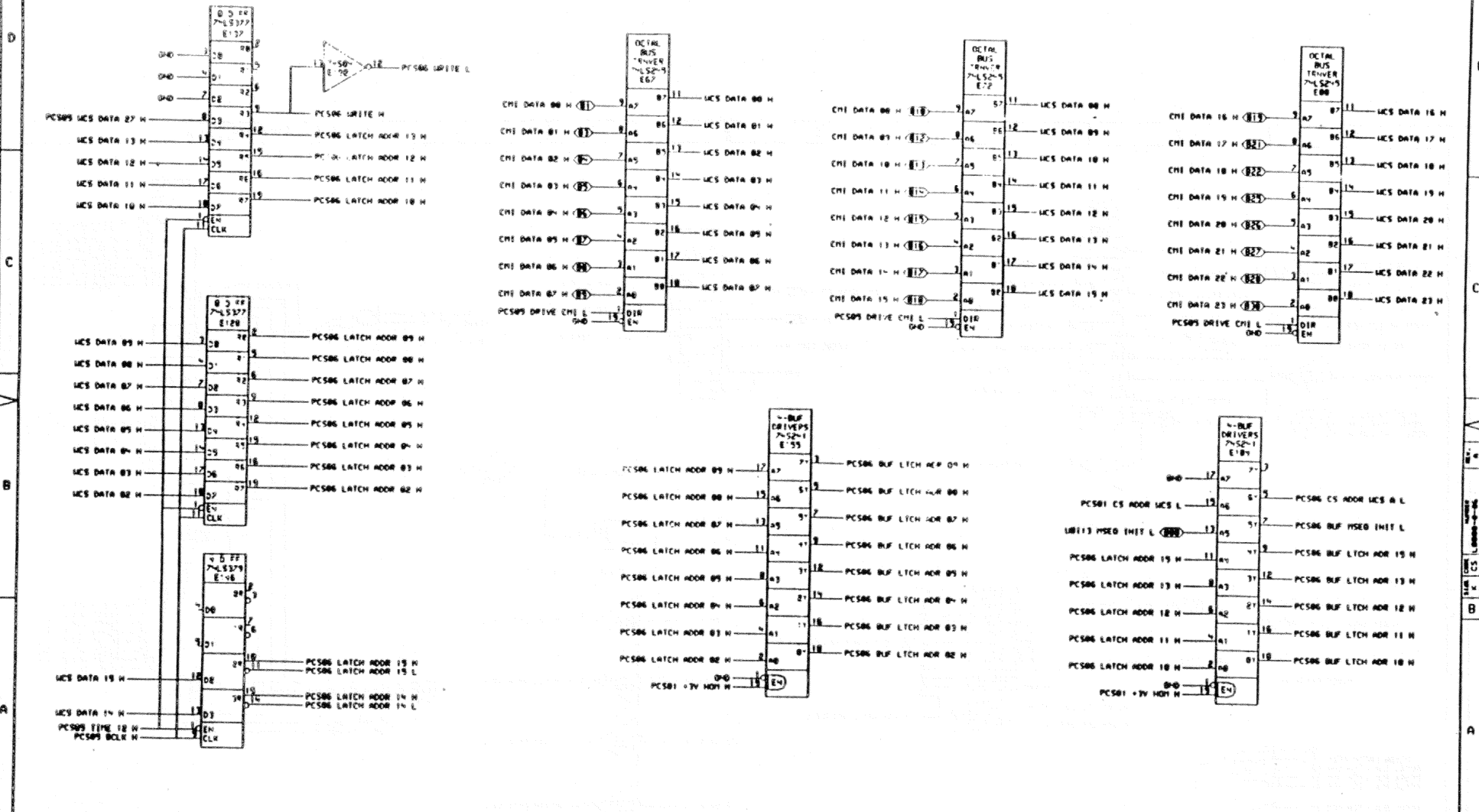


REVISIONS		
CHK	CHANGE NO.	REV.

	DATE: 18-00-0000-0-0 DATE: 18-00-0000-0-0 DATE: 18-00-0000-0-0	TITLE: PC504 PROM ARRAY SIZE CODE: K PART NUMBER: L0000-0-04 FIRST USED ON OPTION MODEL: 1	DATE: 18-00-0000-0-0 DATE: 18-00-0000-0-0 DATE: 18-00-0000-0-0	TITLE: PC504 PROM ARRAY SIZE CODE: K PART NUMBER: L0000-0-04 REV. A
--	--	---	--	--

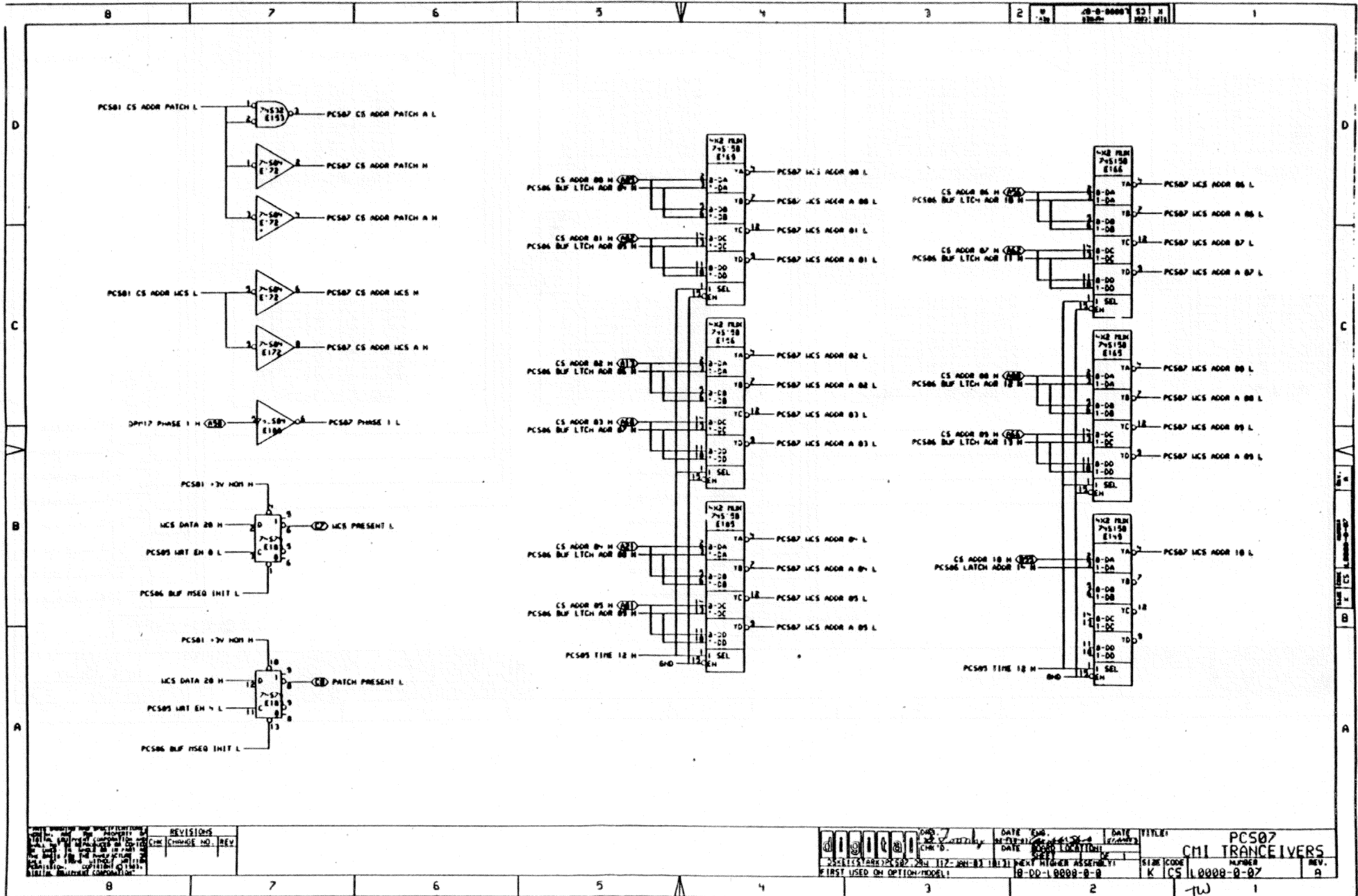
REV. 4
 18-00-0000-0-04
 L0000-0-04
 B





REVISIONS	
NO.	DESCRIPTION

DATE: 10/10/80
 DATE: 10/10/80
 TITLE: PCS06 CONTROL LOGIC
 NUMBER: L0008-0-06
 REV: A

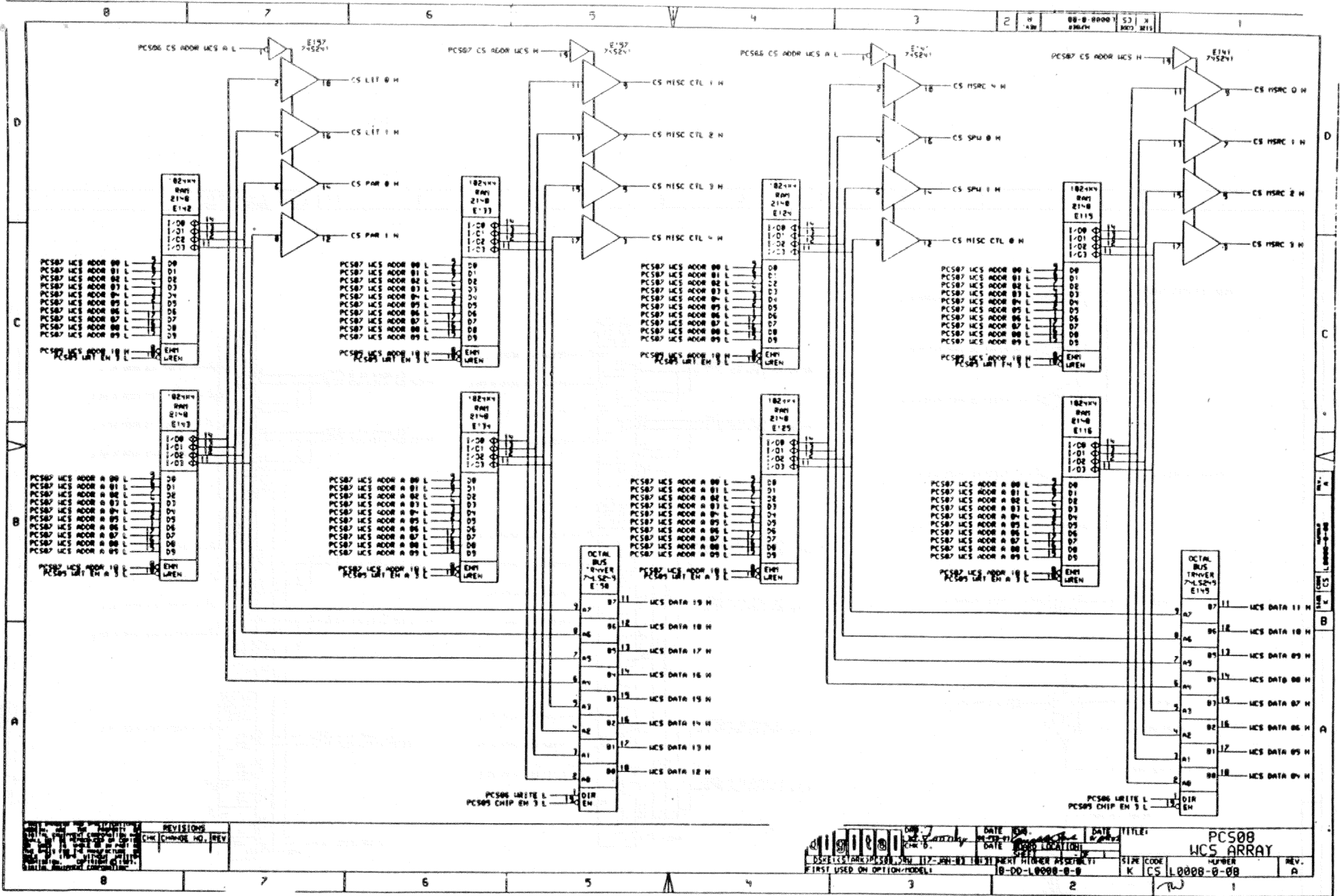


REV	DATE	BY	CHK	CHANGE NO.	REV.

DATE		DATE		DATE		DATE		DATE	
FIRST USED ON OPTION/MODEL:				18-DD-1-0000-0-0		SIZE CODE		KCS	

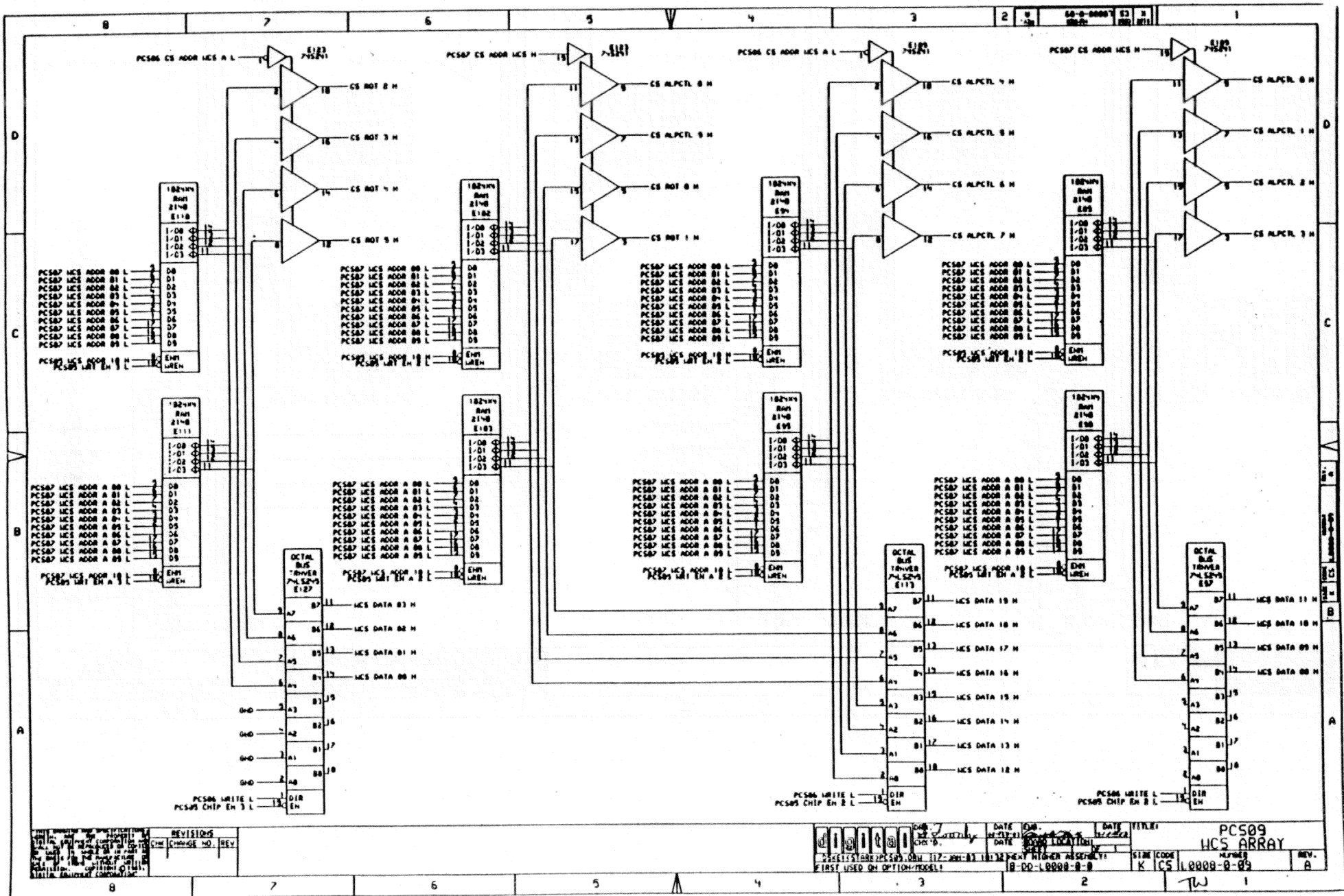
PCS07
CMI TRANCEIVERS
 NUMBER 10000-0-07
 REV. A

-TW



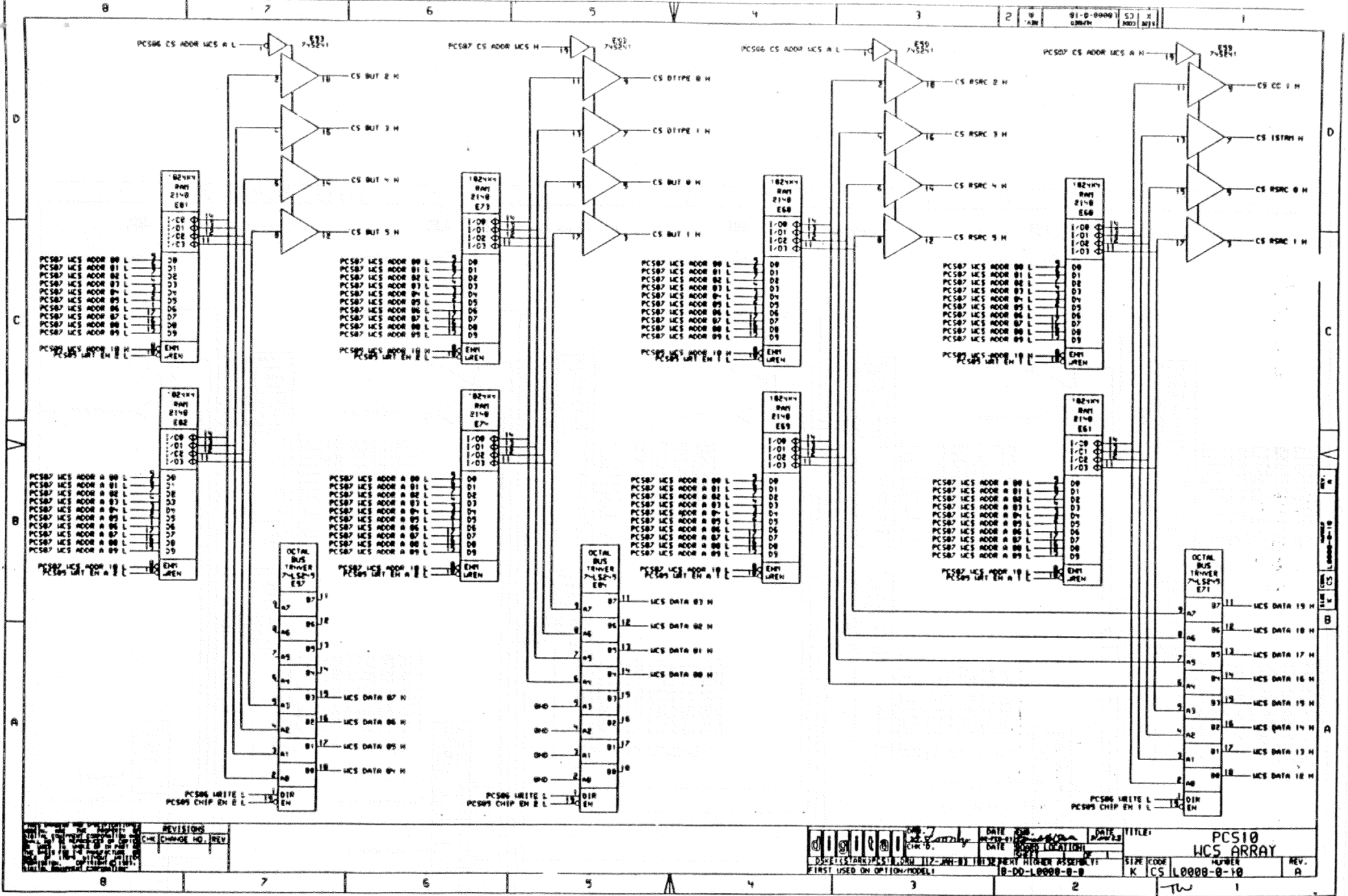
REVISIONS	
CHK	CHANGE NO. REV.

DATE: 11-27-71	DATE: 11-27-71	DATE: 11-27-71	DATE: 11-27-71	TITLE: PCS00 WCS ARRAY
DESIGNED BY: [Signature]	DESIGNED BY: [Signature]	DESIGNED BY: [Signature]	DESIGNED BY: [Signature]	SIZE CODE: K
FIRST USED ON OPTION: MODEL 1	FIRST USED ON OPTION: MODEL 1	FIRST USED ON OPTION: MODEL 1	FIRST USED ON OPTION: MODEL 1	NUMBER: 10000-0-00
				REV. A



REV.	CHG.	DESCRIPTION
1		INITIAL

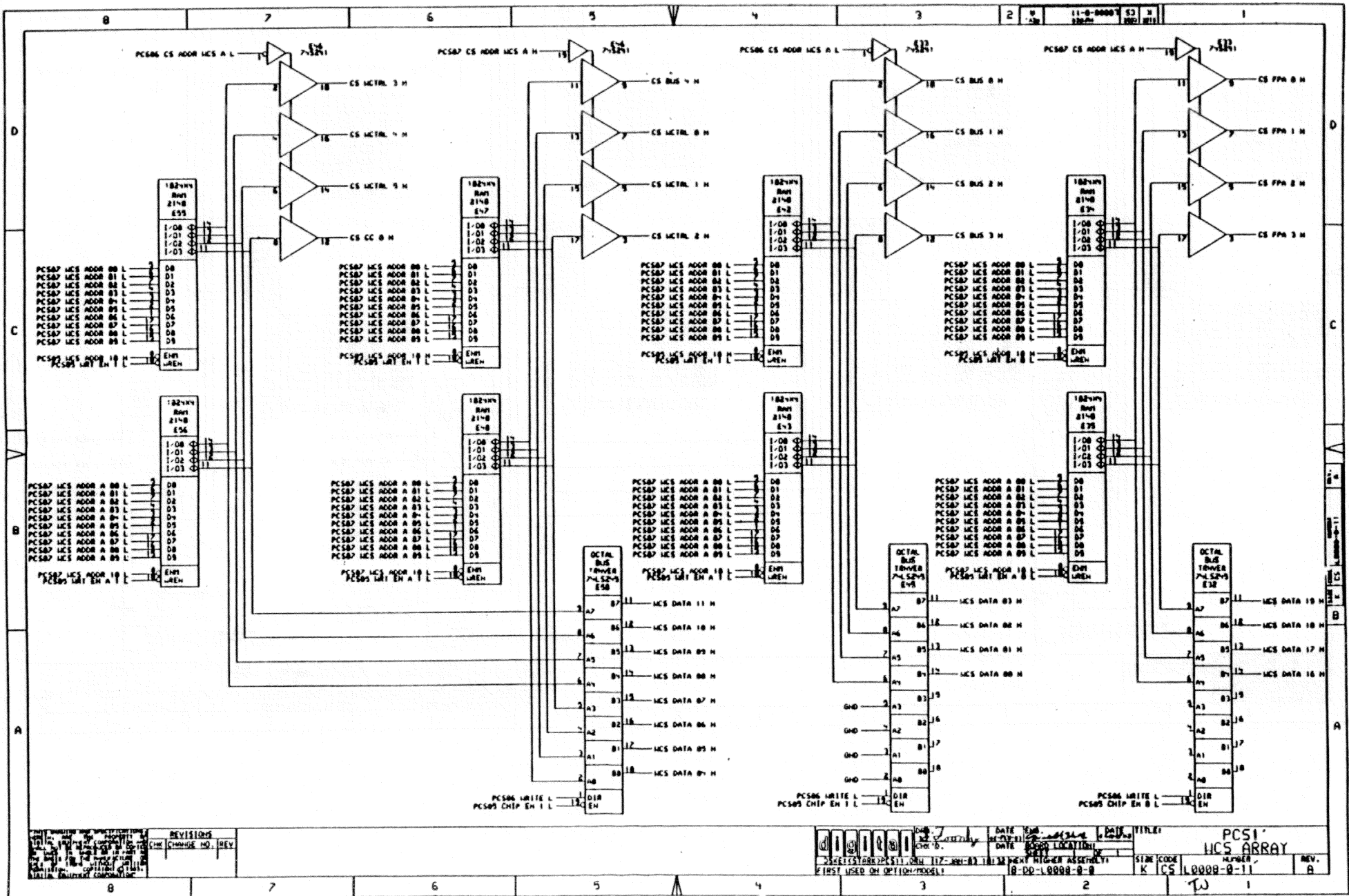
DATE	DATE	DATE	DATE	DATE	DATE
11/22/82	11/22/82	11/22/82	11/22/82	11/22/82	11/22/82
DESIGNED BY	CHECKED BY	DATE	DATE	DATE	DATE
FIRST USED ON OPTION MODEL: B-D-0000-B-0					
SIGNATURE				SIGNATURE	
KICS10000-B-09				KICS10000-B-09	



REV	DATE	BY	CHK	CHANGE NO.	REV
1					

DATE	2/27/73	DATE	2/27/73	TITLE:	PCS10 WCS ARRAY
DATE	2/27/73	DATE	2/27/73	SIZE CODE	K CS L0000-0-10
FIRST USED ON OPTION MODEL:				10-00-0000-0	REV. A

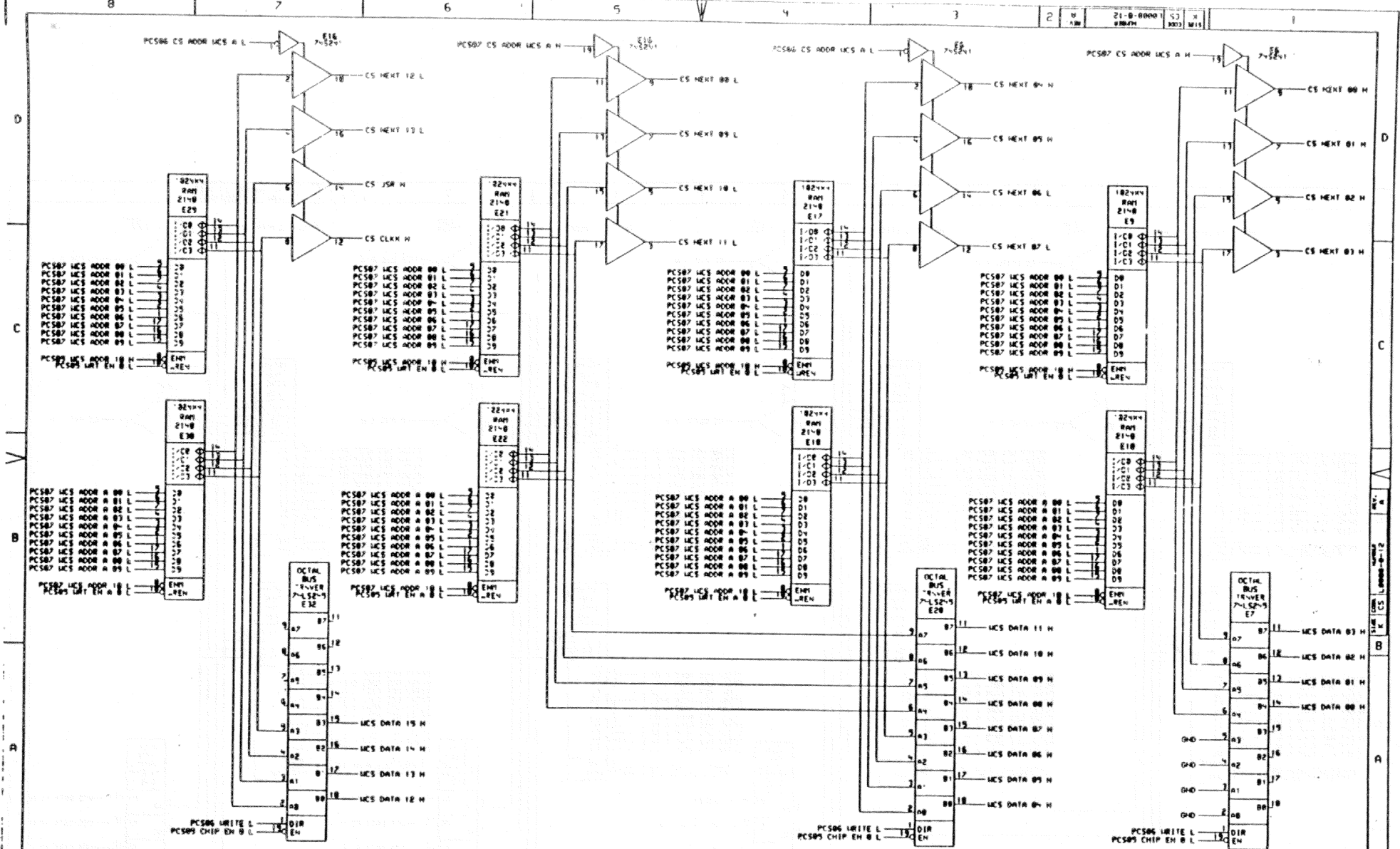
TW 1



REVISIONS	
CHK	CHANGE NO. REV.

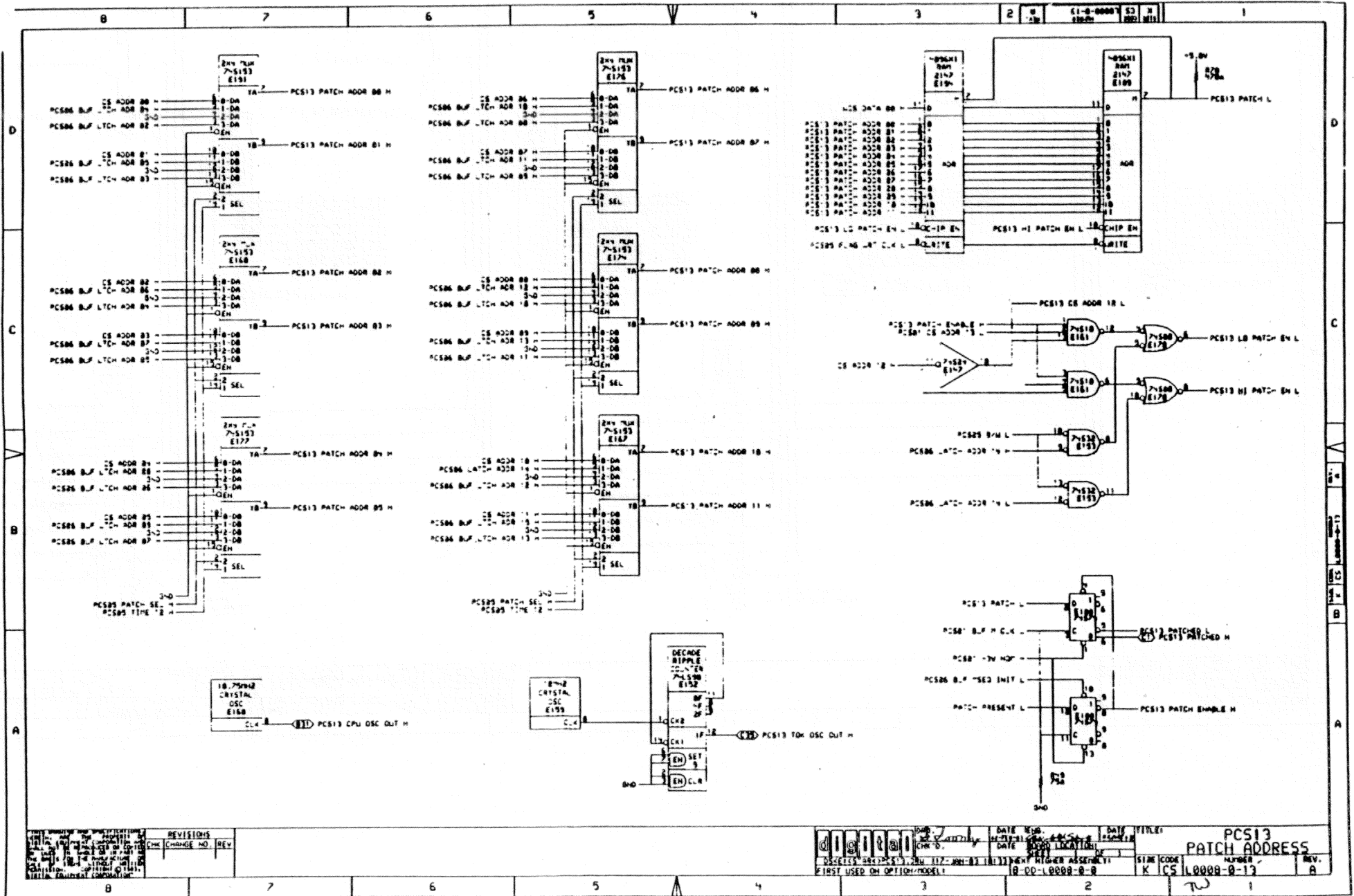
DATE		TITLE	
DATE	BY	DATE	TITLE

PCS1 MCS ARRAY
 SIGN CODE NUMBER REV.
 K CS L0000-0-11 A



REVISIONS	
CHK	CHANGE NO. REV.

DATE ENG	DATE	TITLE:	PCS12
DATE	DATE	NUMBER:	WCS ARRAY
DATE	DATE	SIZE CODE	K CS 10000-0-12
DATE	DATE	REV.	A
DATE	DATE	REV.	



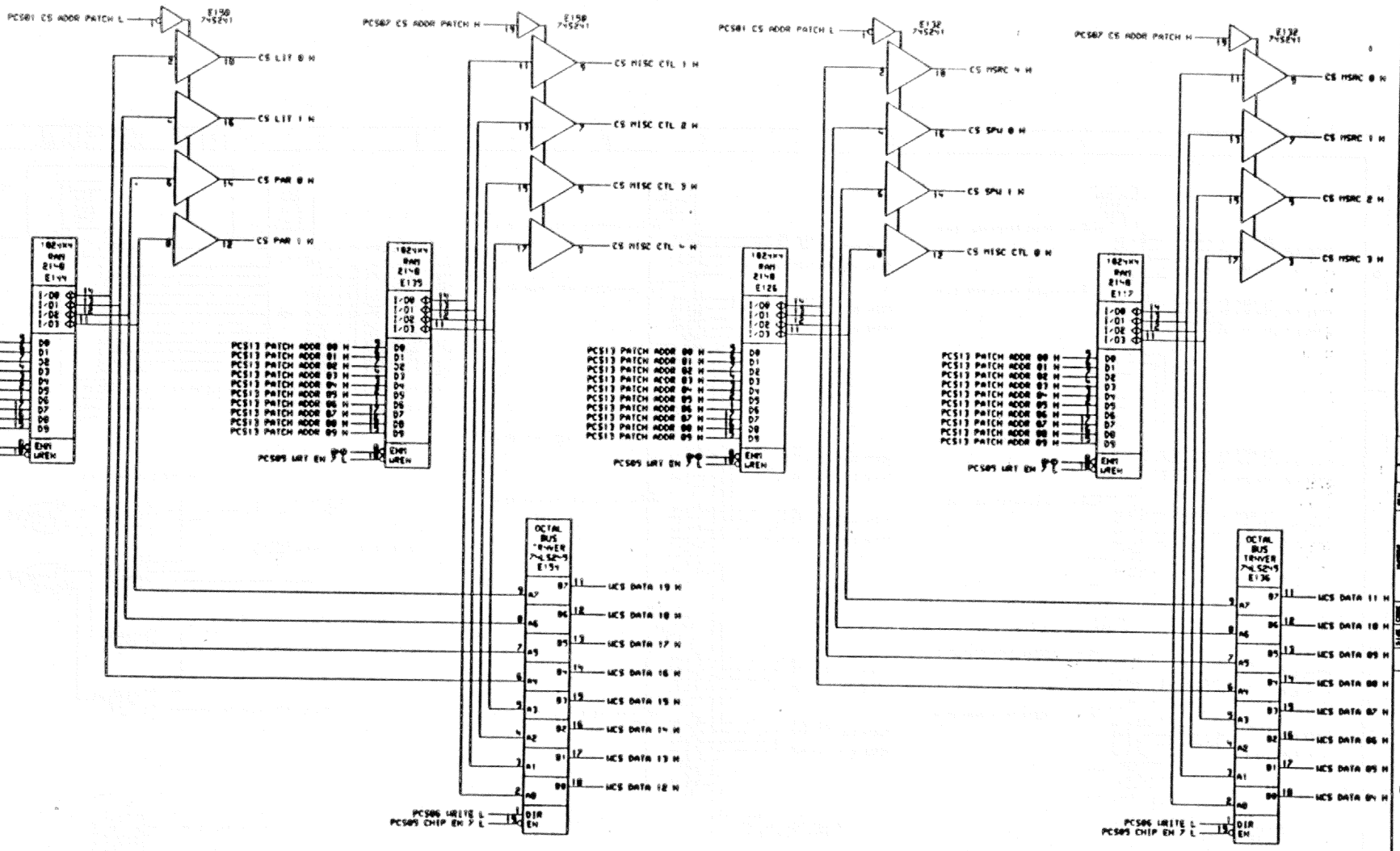
DATE REV. BY
DATE REV. BY
DATE REV. BY
DATE REV. BY
DATE REV. BY
DATE REV. BY
DATE REV. BY
DATE REV. BY
DATE REV. BY
DATE REV. BY

REV.	CHANGE NO.	REV.
7		
6		
5		
4		
3		
2		
1		

DATE REV. BY
DATE REV. BY
DATE REV. BY
DATE REV. BY
DATE REV. BY
DATE REV. BY
DATE REV. BY
DATE REV. BY
DATE REV. BY
DATE REV. BY

REV.	NUMBER	REV.
7		
6		
5		
4		
3		
2		
1		

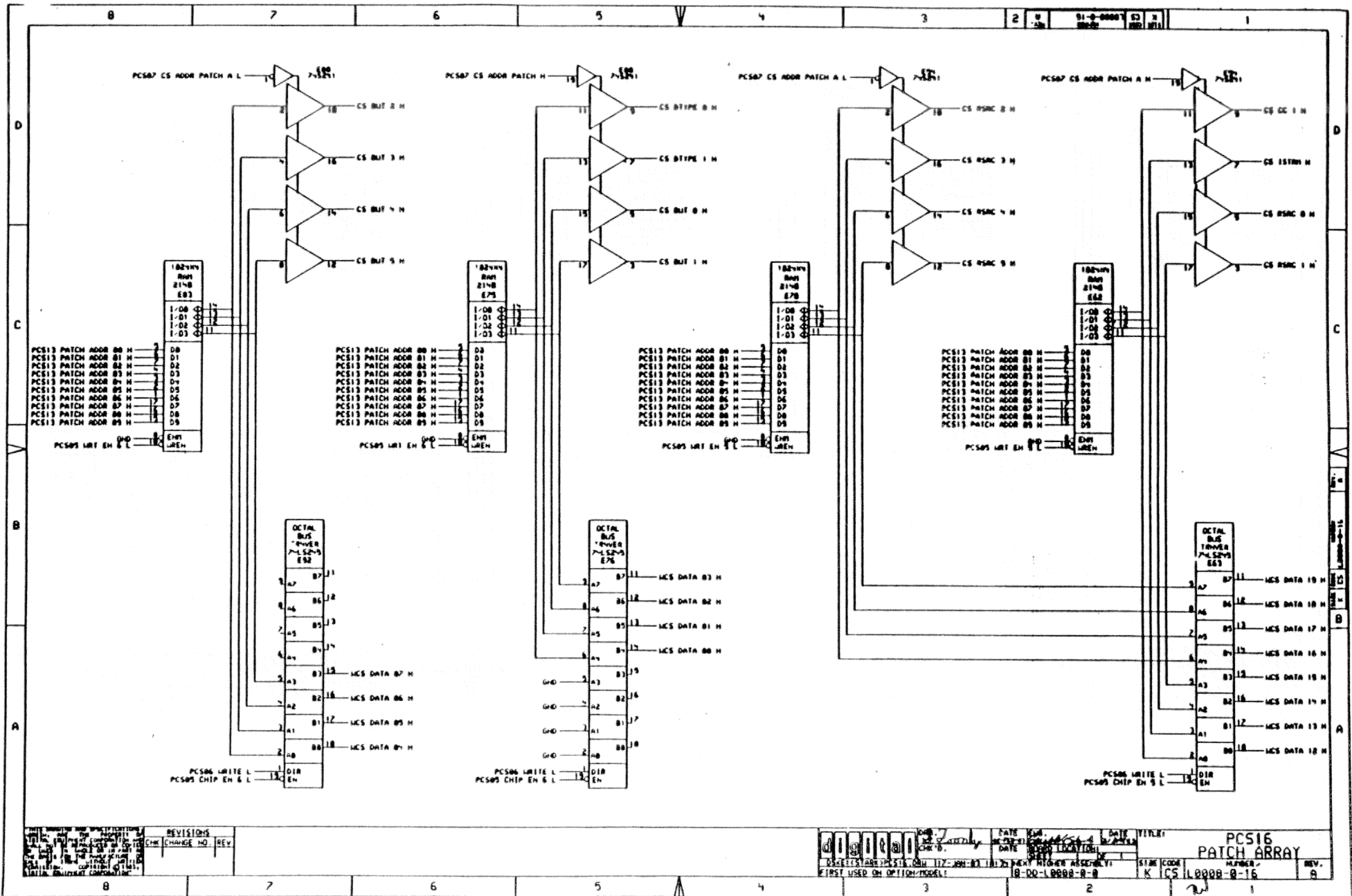
PCS13 PATCH ADDRESS
KICS10000-0-13
A

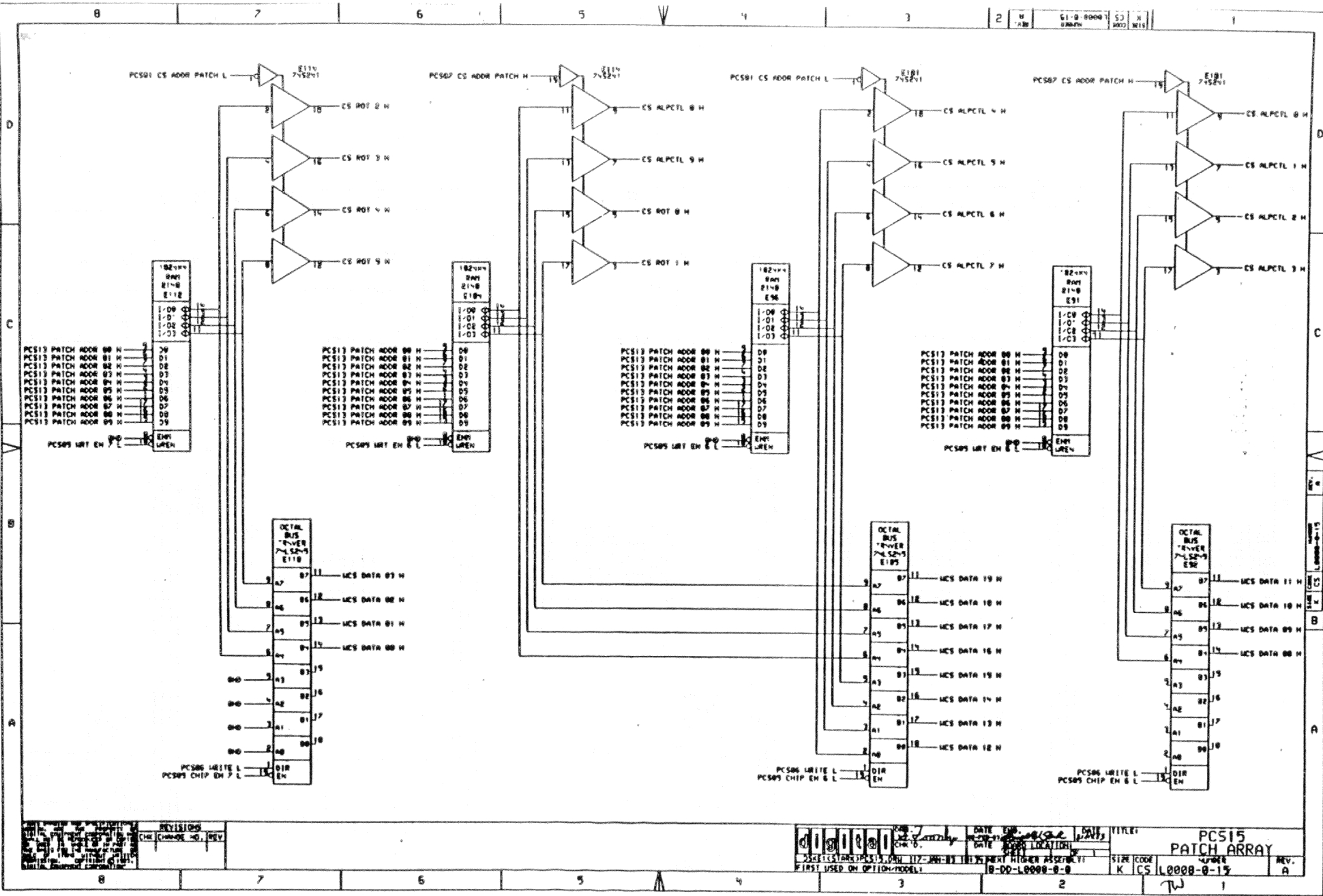


REV	CHK	CHG	NO.	REV.

		DATE: 10-20-80 BY: [Signature] CHECKED: [Signature]	DATE: 10-20-80 BY: [Signature] CHECKED: [Signature]	TITLE: PCS14 PATCH ARRAY
FIRST USED ON OPTION/MODEL: B-DC-L0000-0-0		SIZE CODE: K	NUMBER: CS L0000-0-14	REV.: A

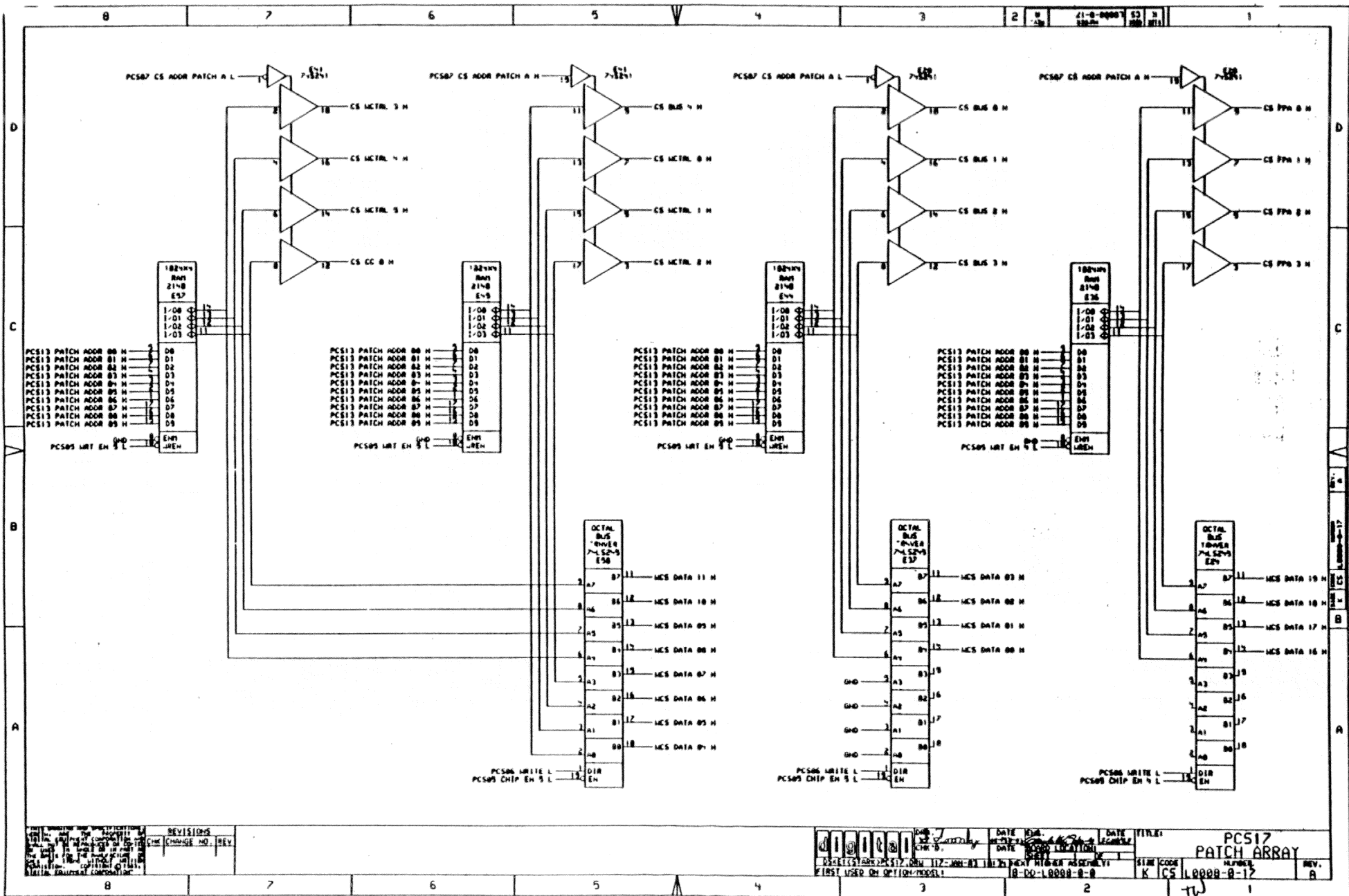
TWJ

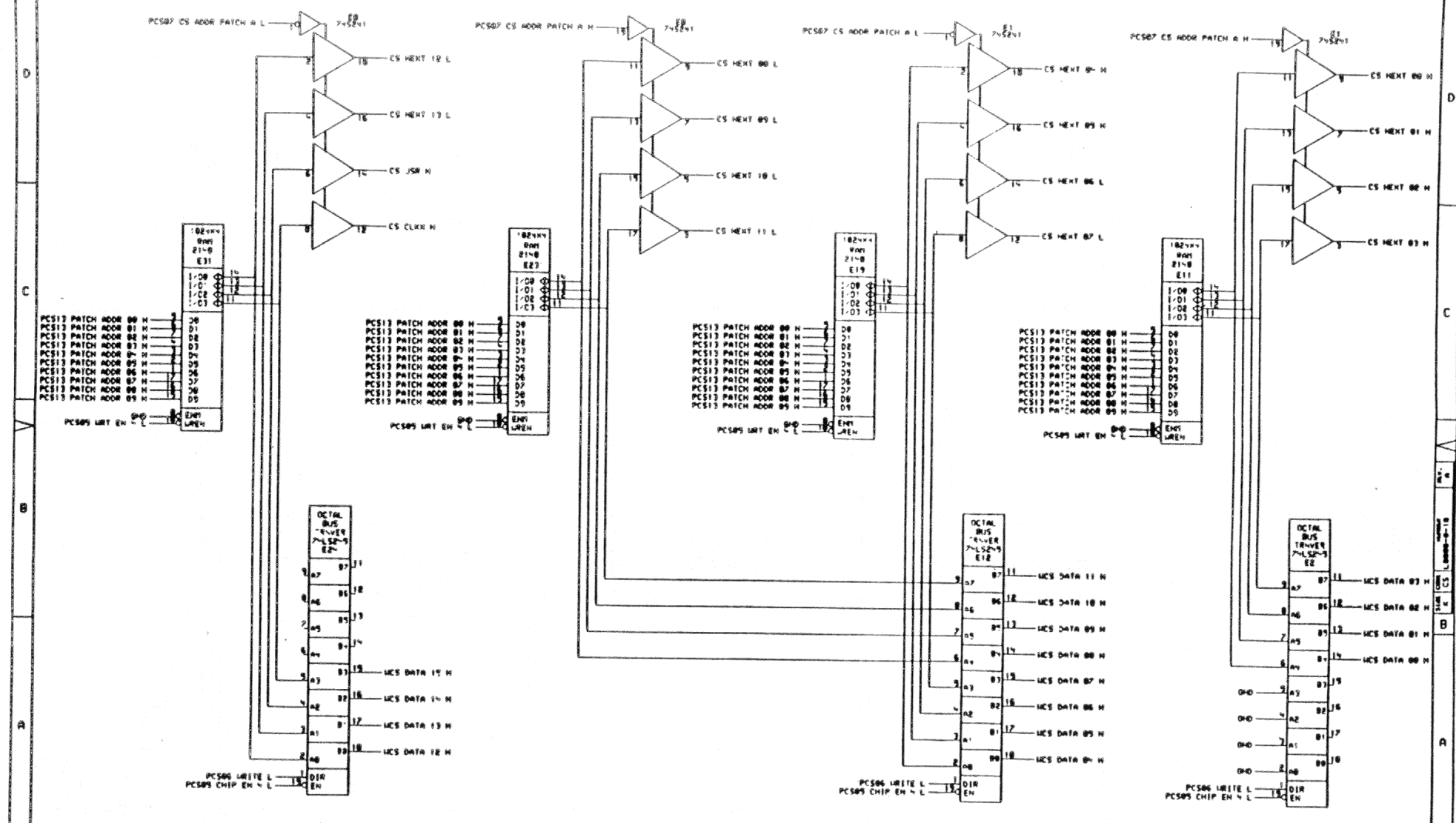




REVISIONS	
NO.	DESCRIPTION

DATE: 10/10/80	DATE: 10/10/80	DATE: 10/10/80	TITLE: PCS15 PATCH ARRAY
DESIGNED BY: J. J. ...	DESIGNED BY: J. J. ...	DESIGNED BY: J. J. ...	SIZE: CODE
FIRST USED ON OPTION MODEL: 10-00-10000-0-0	FIRST USED ON OPTION MODEL: 10-00-10000-0-0	FIRST USED ON OPTION MODEL: 10-00-10000-0-0	NUMBER: 13
			REV: A

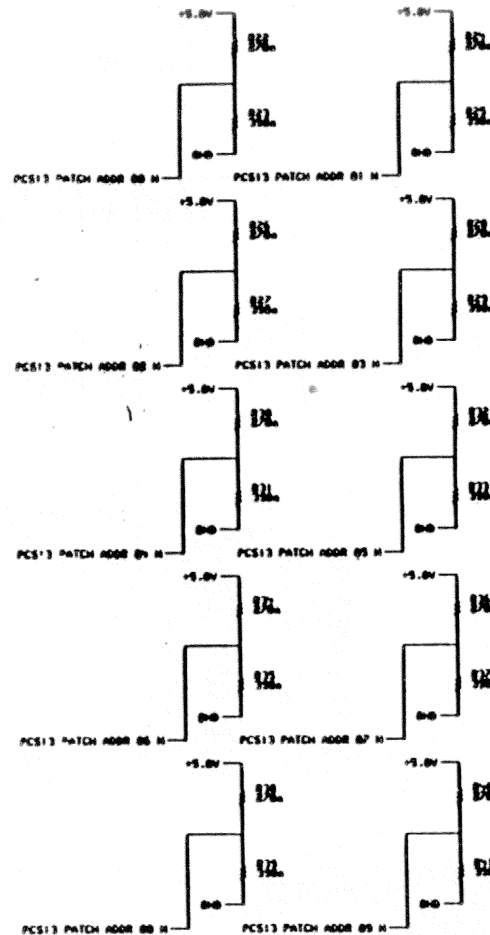
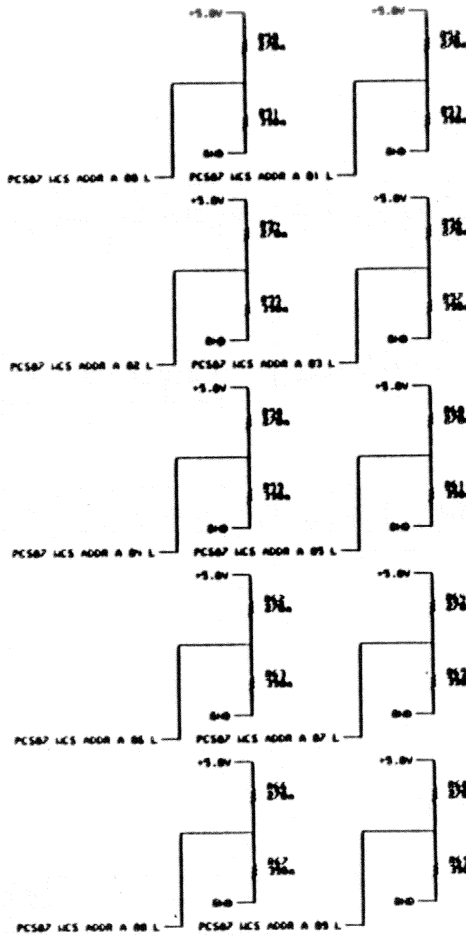
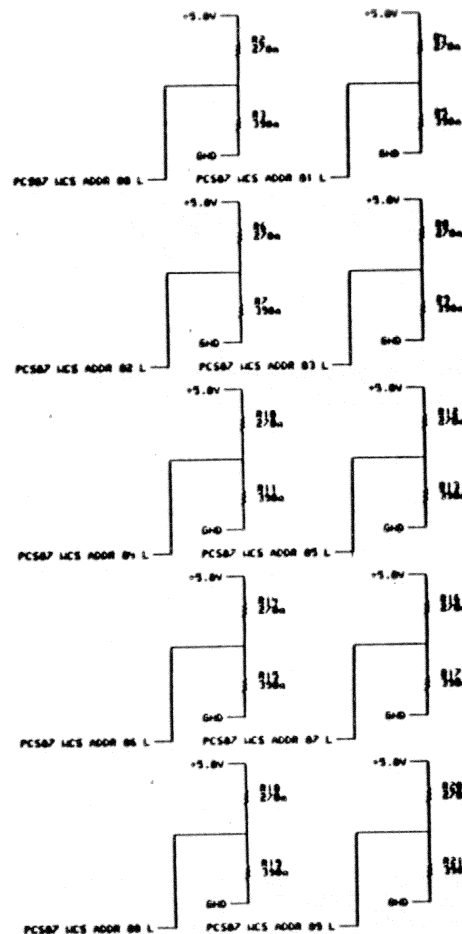




REVISIONS	
CHG	CHANGE NO. / REV

	DATE	01-08-00	DATE	01-08-00	TITLE	PCS18 PATCH ARRAY
	DATE	01-08-00	DATE	01-08-00	SIZE CODE	K CS 1L0008-0-18
FIRST USED ON OPTION MODEL: 18-00-L0008-0-0					REV.	A

8 7 6 5 4 3 2 1 61-8-0000 52 3 1



REVISIONS

REV.	NO.	DESCRIPTION

DATE:
 DRAWN BY:
 CHECKED BY:
 DATE:
 PLACE LOCATION:

DATE: 10-25-70
 DRAWN BY: [initials]
 CHECKED BY: [initials]
 DATE: 10-25-70
 PLACE LOCATION: 18-DO-1-0000-A-B
 FIRST USED ON OPTION MODEL:

DATE:
 DRAWN BY:
 CHECKED BY:
 DATE:
 PLACE LOCATION:

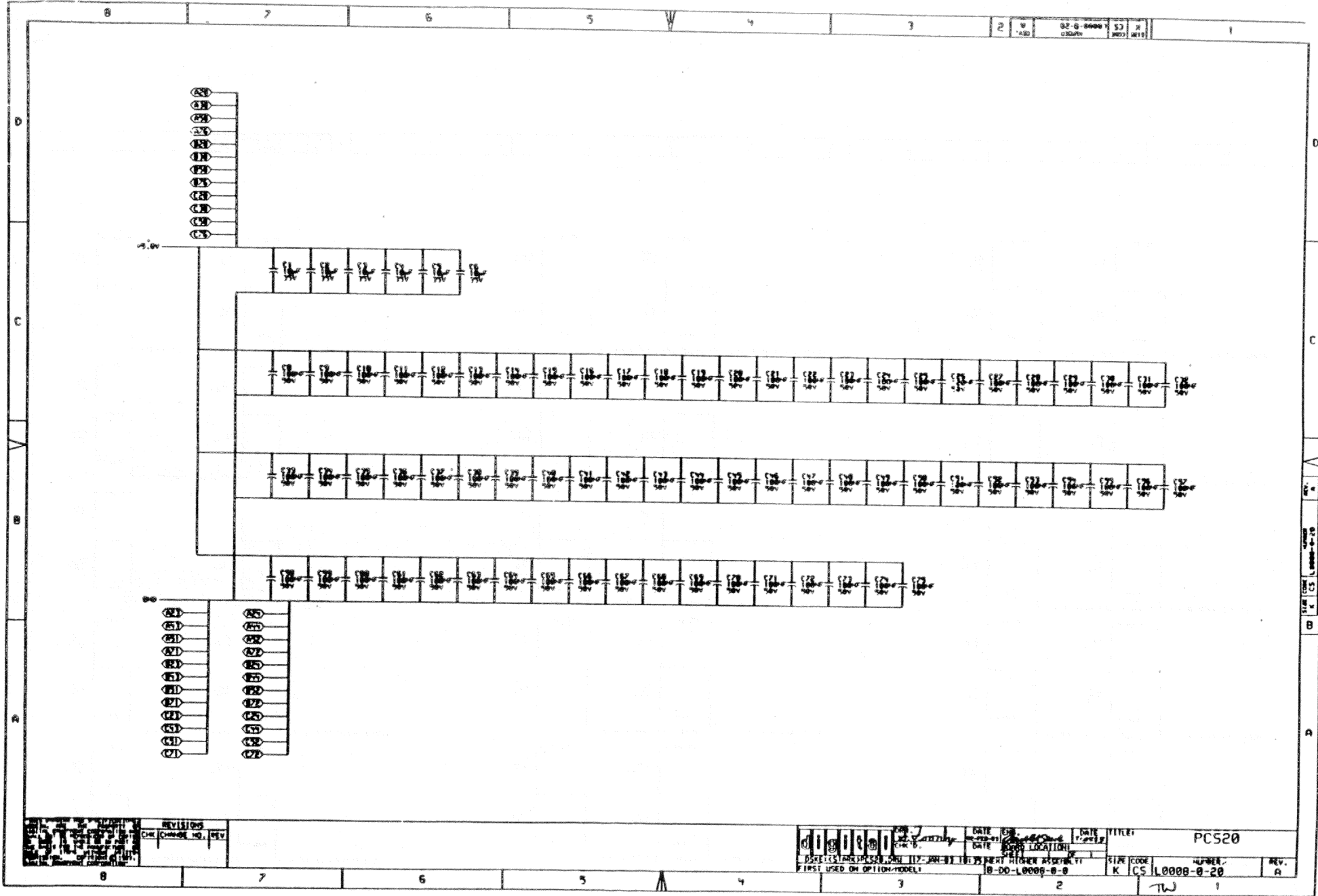
DATE:
 DRAWN BY:
 CHECKED BY:
 DATE:
 PLACE LOCATION:

DATE:
 DRAWN BY:
 CHECKED BY:
 DATE:
 PLACE LOCATION:

DATE:
 DRAWN BY:
 CHECKED BY:
 DATE:
 PLACE LOCATION:

PCS19
 TERMINATORS
 NUMBER: K CS 10000-0-12
 REV. A

8 7 6 5 4 3 2 1



2 W 02-0-0000 53 R
 10000 10000
 020000 0000 0000

REV.	NO.	DESCRIPTION

		DATE: 11/11/81 DATE: 11/11/81	DATE: 11/11/81 DATE: 11/11/81	TITLE: PC520
FIRST USED ON OPTION/MODEL:		PART NUMBER:	SIZE CODE: K	NUMBER: CS L0000-0-20
1		2	3	4

10000 10000
 020000 0000 0000