

**** FIELD MAINTENANCE PRINT SET ****

*THE MATERIAL HEREIN IS FOR INFORMATION PURPOSES ONLY AND IS SUBJECT TO CHANGE WITHOUT NOTICE.
DIGITAL EQUIPMENT CORPORATION ASSUMES NO RESPONSIBILITY FOR ANY ERRORS WHICH MAY APPEAR HEREIN*

* IMPORTANT IMPORTANT IMPORTANT *

THIS PRINT SET CONTAINS IMPORTANT INFORMATION CONCERNING THE CONFIGURATIONS OF THE PRODUCTS LISTED. THE CONFIGURATION INFORMATION CONTAINED HEREIN MUST BE ADHERED TO IN ORDER TO MAINTAIN CONFORMANCE TO DEC STANDARDS.

NOTICE

This equipment generates, uses and may emit radio frequency energy. The equipment has been type tested and found to comply with the limits for a class A computing device pursuant to subpart J of Part 15 of FCC Rules, which are designed to provide reasonable protection against such radio frequency interference when operated in a commercial environment. Operation of this equipment in a residential area may cause interference in which case the user at his own expense may be required to take measures to correct the interference.

Adherence to the configuration rules referenced herein is mandatory to maintain FCC CLASS A status.

UNITS VARIATIONS COVER BY THIS PRINT SET

FIELD MAINTENANCE
PRINT SET

11/750 F

DIGITAL EQUIPMENT
CORPORATION

MP01377

ECO HISTORY				DRN: R.J. RILEY		DATE: 12/7/82		d i s i t i a l				
ENG	ECO NUMBER	REV	ENG	ECO NUMBER	REV	CHK'D: R.J. RILEY	DATE: 12/7/82	TITLE	TABLE OF CONTENTS			
	INITIAL	A				DES.ENG.: P. GILDEA	DATE: 12/7/82		(11/750 F)			
PG	11750-F-TW001	B				RESP.ENG.: P. GILDEA	DATE: 12/7/83		DOCUMENT NUMBER			
SD	11750-F-TW004	C				MFG.ENG.: B. SMITH	DATE: 12/7/82	SIZE: K	CODE: TC	NUMBER: 11750-F-1	REV: C	
						FIELD SERV. H. HUNTER	DATE: 12/7/82			SHEET 1 OF 3		
THIS DRAWING AND SPECIFICATIONS HEREIN, ARE THE PROPERTY OF DIGITAL EQUIPMENT CORPORATION AND SHALL NOT BE REPRODUCED OR COPIED OR USED IN WHOLE OR IN PART AS THE BASIS FOR THE MANUFACTURE OR SALE OF ITEMS WITHOUT WRITTEN PERMISSION. COPYRIGHT (C) 1983 DIGITAL EQUIPMENT CORPORATION												



THE MATERIAL HEREIN IS FOR INFORMATION PURPOSES ONLY AND IS SUBJECT TO CHANGE WITHOUT NOTICE. DIGITAL EQUIPMENT CORPORATION ASSUMES NO RESPONSIBILITY FOR ANY ERRORS WHICH MAY APPEAR HEREIN.

***** FIELD MAINTENANCE PRINT SET *****

TABLE OF CONTENTS

IE-UA-11/750-F-0	UNIT ASSY	UNIT VARIATIONS	
IK-PL-11/750-F-DBP	UNIT ASSY PARTS LIST	11/750-FA	
IB-DD-11/750-FA	DRAWING DIRECTORY		
IB-DD-11/750-FB	DRAWING DIRECTORY	11/750-FB	
IB-DD-11/750-FC	DRAWING DIRECTORY		
ID-UA-5415142-0-0	11/750 DEVICE (SID UNIT ASSY)	11/750-FC	
ID-CS-5415142-0-1	CIRCUIT SCHEMATICS (SID MODULE)		
IK-DD-7019603-0	DRAWING DIRECTORY		
IE-UA-7019603-0-0	CAB ASSY		FIELD MAINTENANCE
IK-PL-7019603-0-DBP	CAB ASSY PARTS LIST		PRINT SET
IE-IC-7019603-0-4	INTERCONNECT DIAGRAM		11/750 F
ID-AD-7016922-0-0	CABLE ASSY (FILTERED) (CONSOLE)		
IK-PL-7016922-0-DBP	CABLE ASSY (FILTERED) PARTS LIST		DIGITAL EQUIPMENT
IK-PL-7019606-0-DBP	ACCESSORY KIT (SHIP LIST)		CORPORATION
ID-IA-7016930-0-0	CONSOLE POWER CABLE		
IE-IA-7016931-0-0	TU58 CABLE ASSY		MP01377
IE-IA-7016153-0-0	AC HARNESS		
IK-PL-7016153-0-DBP	AC HARNESS PARTS LIST		
ID-IA-7016513-0-0	CONTROL CABLE ASSY		
IK-PL-7016513-0-DBP	CONTROL CABLE ASSY PARTS LIST		
IE-IA-7016385-0-0	HARNESS POWER SIGNAL		
IK-PL-7016385-0-DBP	HARNESS POWER SIGNAL PARTS LIST		
ID-IA-7016929-0-0	CONSOLE SIGNAL CABLE		
IK-PL-7016929-0-DBP	CONSOLE SIGNAL CABLE PARTS LIST		
ID-IA-7016516-0-0	REMOTE SENSE CABLE		
ID-IA-7016379-0-0	HARNESS 2.50/5V		
IK-PL-7016379-0-DBP	HARNESS 2.50/5V PARTS LIST		
ID-IA-7016928-0-0	PATCH CABLE AIR FLOW		
IK-PL-7016928-0-DBP	PATCH CABLE AIR FLOW PARTS LIST		
IE-IA-7016708-0-0	CARD CAGE ASSY		

USED ON OPTION/MODEL	IDRN.	IDATE
	R. J. RILEY	112-7-82
	CHK'D	IDATE
	R. J. RILEY	112-7-82
	PROJ. ENG.	IDATE
	P. GILDEA	112-7-82
	FIELD SERV.	IDATE
	H. HUNTER	112-7-82

SHEET 2 OF 3

digital

*THIS DRAWING AND SPECIFICATIONS, HEREIN, ARE THE PROPERTY OF DIGITAL EQUIPMENT CORPORATION AND SHALL NOT BE REPRODUCED OR COPIED OR USED IN WHOLE OR IN PART AS THE BASIS FOR THE MANUFACTURE OR SALE OF ITEMS WITHOUT WRITTEN PERMISSION.
COPYRIGHT © 1982 DIGITAL EQUIPMENT CORPORATION.*

TITLE:
TABLE OF CONTENTS (11/750 F)
SIZE | CODE | NUMBER | REV |
K | C | 11/750-E-1 | C |
DIST. | | | |

*THE MATERIAL HEREIN IS FOR INFORMATION PURPOSES ONLY AND IS SUBJECT TO CHANGE WITHOUT NOTICE. DIGITAL EQUIPMENT CORPORATION
ASSUMES NO RESPONSIBILITY FOR ANY ERRORS WHICH MAY APPEAR HEREIN.*

***** FIELD MAINTENANCE PRINT SET *****

TABLE OF CONTENTS

IK-PL-7016708-0-DBP
IE-UA-5413489-0-0
IK-PL-5413489-0-DBP
ID-CS-5413489-0
IE-UA-5413822-0-0
IK-PL-5413822-0-DBP
IC-AD-7016894-0-0
IC-IA-7016945-0-0
ID-IA-7015321-0-0
IK-SA-11750-F-0
IK-SA-11750-F-1

CARD CAGE ASSY PARTS LIST
SERIAL TU58
SERIAL TU58 PARTS LIST
SERIAL TU58 CIRCUIT SCHEMATIC
BACKPLANE ASSY
BACKPLANE ASSY PARTS LIST
TIME OF YEAR BATTERY ASSY
BATTERY PACK ASSY
PANEL ASSY FRONT
SYSTEM ARRANGEMENT
SYSTEM ARRANGEMENT

UNIT VARIATIONS

FIELD MAINTENANCE
PRINT SET
11/750-F

DIGITAL EQUIPMENT
CORPORATION

MP01377

USED ON OPTION/MODEL	DRN.	DATE
	R. J. RILEY	12-7-82
	CHK'D R. J. RILEY	DATE 12-7-82
	PROJ. ENG. P. GILDEA	DATE 12-7-82
	FIELD SERV. H. HUNTER	DATE 12-7-82
SHEET 3 OF 3		

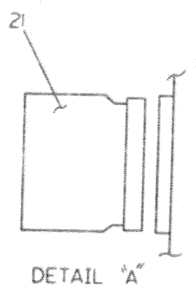
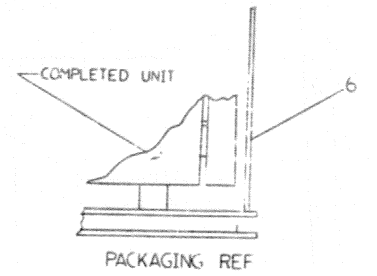
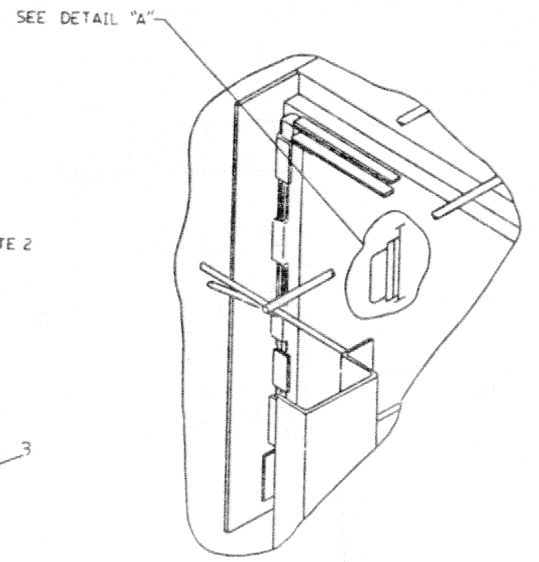
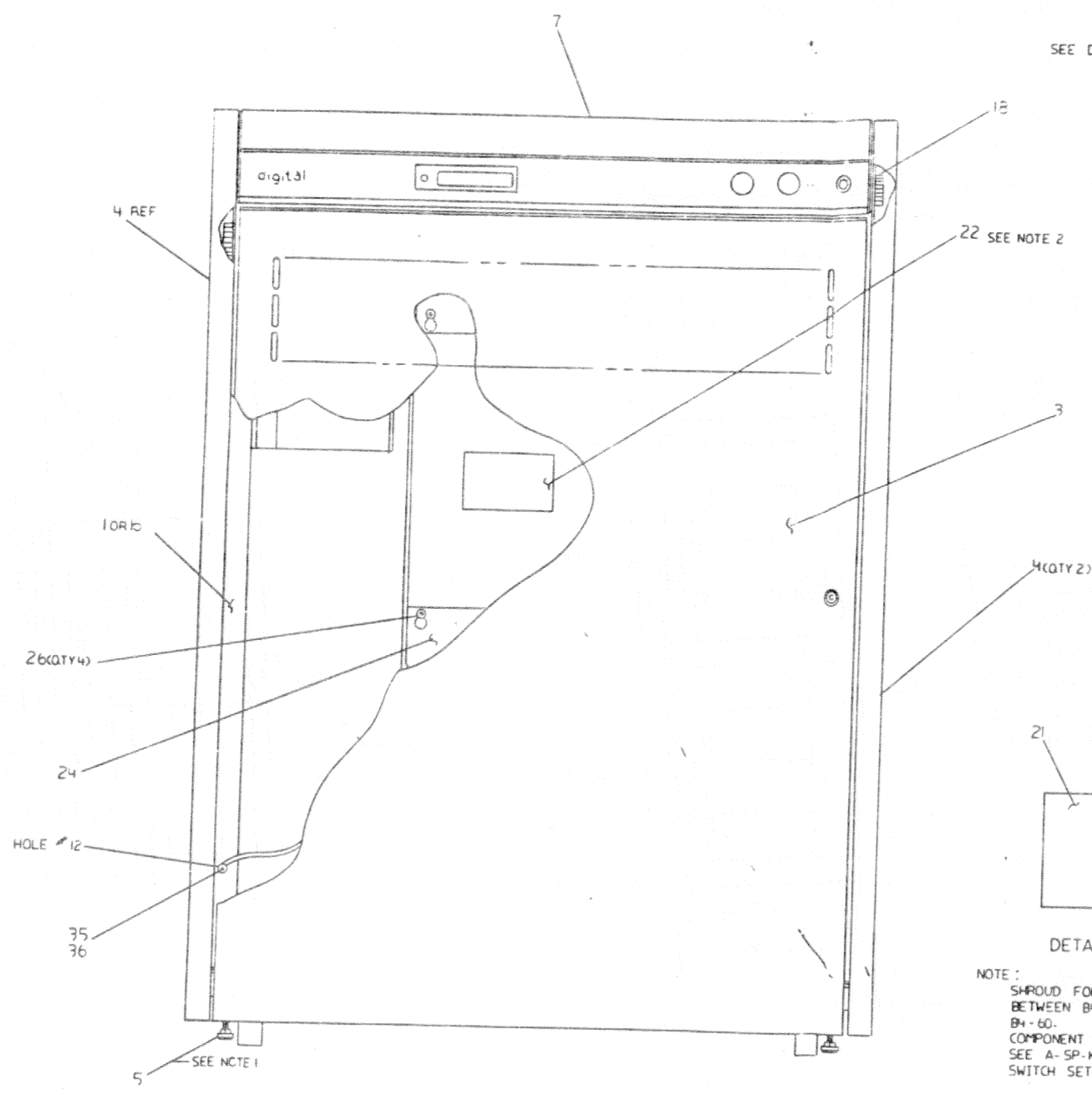
*THIS DRAWING AND SPECIFICATIONS, HEREIN, ARE THE PROPERTY OF DIGITAL EQUIPMENT CORPORATION
AND SHALL NOT BE REPRODUCED OR COPIED OR USED IN WHOLE OR IN PART AS THE BASIS FOR THE
MANUFACTURE OR SALE OF ITEMS WITHOUT WRITTEN PERMISSION.
COPYRIGHT © 1982 DIGITAL EQUIPMENT CORPORATION.*

digital
TITLE:
TABLE OF CONTENTS (11/750-F)
SIZE | CODE | NUMBER | REV |
K | IC | 111/750-E-1 | C |
DIST. | | | |

THIS DRAWING AND SPECIFICATIONS HEREAFTER ARE THE PROPERTY OF DIGITAL CORPORATION AND SHALL NOT BE REPRODUCED OR TRANSMITTED IN ANY FORM OR BY ANY MEANS, ELECTRONIC OR MECHANICAL, INCLUDING PHOTOCOPYING, RECORDING, OR BY ANY INFORMATION STORAGE AND RETRIEVAL SYSTEM, WITHOUT THE WRITTEN PERMISSION OF DIGITAL CORPORATION.

LEGEND	
NUMBER	VARIATION
11750-FA	120V, 50/60 HZ
11750-FB	240V, 50/60 HZ
11750-FC	120V, 60 HZ

NOTE:
 1. ITEM 5 TO BE INSTALLED IN THE FIELD.
 2. LOCATE APPROX AS SHOWN.
 3. FOR TORQUE SPEC. SEE A-SP-766522A-010.
 4. ITEM 42 TO BE INSTALLED IF REQUIRED AT SYSTEM INSTALLATION.



NOTE:
 SHROUD FOR SID SWITH LOCATED BETWEEN B4-17 B4-18 B4-59 AND B4-60.
 COMPONENT SIDE TOWARD SLOT 1
 SEE A-SP-KA750-0-3 FOR SWITCH SETTING.

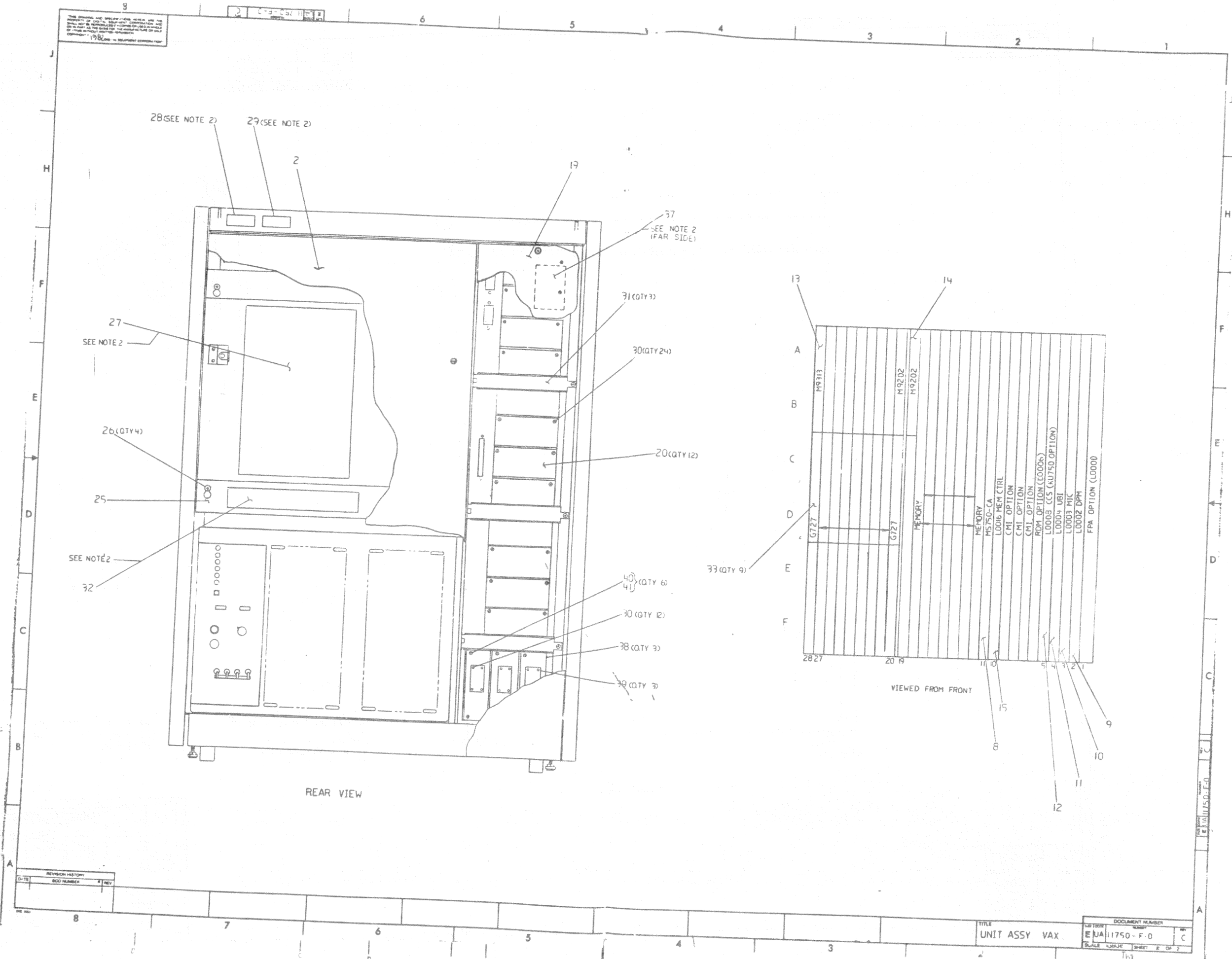
OFF SHEET PARTS LIST
 SEE K-PL-11750-F-DBP
 (Z5489B.PLS)

FRONT VIEW

DATE	ISSUE NUMBER	REV	DESCRIPTION
11/15/70	1	1	ISSUED FOR PRODUCTION
11/15/70	1	2	REVISION TO TORQUE SPEC
11/15/70	1	3	REVISION TO PARTS LIST
11/15/70	1	4	REVISION TO DRAWING
11/15/70	1	5	REVISION TO SPECIFICATIONS

DESCRIPTION		DRAWING NO.		PART NO.		REV	
UNLESS OTHERWISE SPECIFIED DIMENSIONS ARE IN INCHES AND THE FOLLOWING TOLERANCES APPLY (PER DECIPRO 114)							
FINISH	APPROXIMATE DIMENSIONS	OTHER DIMENSIONS	OTHER DIMENSIONS	OTHER DIMENSIONS	OTHER DIMENSIONS	OTHER DIMENSIONS	OTHER DIMENSIONS
ASSEMBLY	±.010	±.005	±.005	±.005	±.005	±.005	±.005
QUANTITY	1	1	1	1	1	1	1
THIRD ANGLE PROJECTION	DATE	11/15/70	TITLE	UNIT ASSEMBLY VAX 11750			
DO NOT SCALE DRAWING	DATE	11/15/70	DESIGNER	EUA			
REMOVE BURRS AND BREAK SHARP CORNERS	DATE	11/15/70	CHECKER	EUA			
MATERIAL	DATE	11/15/70	APPROVED	EUA			
FINISH	DATE	11/15/70	REVISIONS	EUA			

THIS DRAWING AND SPECIFICATIONS ARE THE PROPERTY OF THE U.S. GOVERNMENT AND ARE TO BE REPRODUCED AND TRANSMITTED IN ANY FORM OR BY ANY MEANS, ELECTRONIC OR MECHANICAL, INCLUDING PHOTOCOPYING, RECORDING, OR BY ANY INFORMATION STORAGE AND RETRIEVAL SYSTEM, WITHOUT PERMISSION IN WRITING FROM THE U.S. GOVERNMENT PRINTING OFFICE: 1980



LINE	ITEM	TOP DOCUMENT	PART NUMBER	MIN REV	DESCRIPTION	QTY PER VARIATION		
						FA	FB	FC
					VARIATION REVISION LEVEL:	78	78	78
1	1	E-UA-7019603-0-0	7019603-00		CAB ASSY VAX 11/750 D	1	-	1
2	2	E-UA-H9544-B-0	H9544-BJ		SHIELDED REAR DOOR,11750	1	1	1
3	3	E-UA-H9544-E-0	H9544-EJ		SHIELDED FRONT DOOR,11750	1	1	1
4	4	E-UA-H9544-A-0	H9544-AA		40" END PANEL,GREY FRAME,BROWN I	2	2	2
5	5	D-UA-H9544-H-0	H9544-HB		KIT OF 4 LEVELERS,STANDARD ON FR	1	1	1
6	6	A-SP-3700436-0-0	3700436-06		CAB H9645 REPLACES VAR. 03	1	1	1
7	7	E-UA-H9544-L-0	H9544-LJ		SHIELDED TOP COVER,40" WIDE BODY	1	1	1
8	8	E-UA-MS750-0-0	MS750-CA		1MB ECC EXPANSION (M8750-CA)	1	1	1
9	9	E-UA-L0002-0-0	L0002-00		DPM (DATA PATH & MICRO SEQUENCER	1	1	1
10	10	E-UA-L0003-0-0	L0003-00		MEMORY INTERFACE	1	1	1
11	11	E-UA-L0004-0-0	L0004-00		UNIBUS INTERFACE	1	1	1
12	12	E-UA-L0008-0-0	L0008-00		RENAMED L0008-YA	1	1	1
13	13	E-UA-M9313-0-0	M9313-00		UNIBUS EXERCIZER + TERMINATOR (U	1	1	1
14	14	E-UA-M9202-0-0	M9202-00		CABLE UNIBUS JUMPER	1	1	1
15	15	E-UA-L0016-0-0	L0016-00		64K MEMORY CONTROL,4-LAYER HEX 1	1	1	1
16	16	E-UA-7019603-0-0	7019603-01		CABINET ASSY VAX 11750F.(250V.)	-	1	-
17	17	BLANK			*** THIS ITEM IS NOT USED ***	-	-	-
18	18	E-UA-H9544-A-0	H9544-AH		SHIELDING INSERT,11750 UNIQUE	1	1	1
19	19	E-UA-H9544-B-0	H9544-BH		SHIELDED REAR DOOR,40" WIDE BODY	1	1	1
20	20	C-MD-7426407-0-1	7426407-01		PANEL,SUB,DOUBLE	12	12	12
21	21	D-UA-5415142-0-0	5415142-00		11/750 SYSTEM REV LEVEL INPUT DE	1	1	1
22	22	A-PS-3621230-0-0	3621230-01		LABEL,MODULE UTILIZATION 11/750F	1	1	1
23	23				*** THIS ITEM IS NOT USED ***	-	-	-
24	24	D-AD-7020272-0-0	7020272-00		COVER, CARD CAGE ASSY. FRONT	1	1	1
25	25	D-AD-7020271-0-0	7020271-00		COVER, CARD CAGE ASSY. REAR	1	1	1
26	26		9009700-00		SCREW,SEMS TRUSS PHIL 10-	8	8	8
27	27	A-PS-3617171-0-0	3617171-00		LABEL,BACKPLANE CABLE LOCATIONS	1	1	1
28	28	A-PS-3617674-0-0	3617674-01		LABEL,SERIAL/POWER W UL & CSA	1	1	1
29	29	A-PS-3617880-0-0	3617880-02		LABEL,FCC,CLASS A,PROCESSOR	1	1	1
30	30		9009643-00		SCREW,SEMS PAN PHIL 4-	30	30	30

REVISION HISTORY			BASIC PART NO: 11750			DRN: R. J. RILEY			DATE: 02-DEC-82			D I G I T A L		
ENG	ECO NUMBER	REV	SECTION A OF A			CHK'D:	R. J. RILEY		DATE: 02-DEC-82		TITLE PARTS LIST			
---	INITIAL	A	SECTION,VARIATION INDEX			DES.ENG:	S. DUNCANSON		DATE: 02-DEC-82		UNIT ASSY VAX 11750-F			
PG	11750-F-TW001	B	(A)FA,FB,FC			RESP.ENG.:	S. DUNCANSON		DATE: 02-DEC-82		DOCUMENT NUMBER			
SD	11750-F-TW004	C	(B)			MFG.ENG.:	R. ALLEN		DATE: 02-DEC-82		SIZE	CODE	NUMBER	REV
			(C)			ASSEMBLY NUMBER:		TOP DOCUMENT NUMBER:		FILE NAME:		EDIT #		
			(D)			E-UA-11750-F-0		B-DD-11750-F-0		Z5489C.PLS		7		
			(E)			RELEASE DATE: 14-JAN-85								
			(F)											

"THIS DRAWING AND THE SPECIFICATIONS CONTAINED HEREIN ARE CONFIDENTIAL AND PROPRIETARY. THEY ARE THE PROPERTY OF DIGITAL EQUIPMENT CORPORATION AND SHALL NOT BE REPRODUCED OR COPIED OR USED IN WHOLE OR IN PART AS THE BASIS FOR THE MANUFACTURE OR SALE OF ITEMS WITHOUT WRITTEN PERMISSION. THIS IS AN UNPUBLISHED WORK PROTECTED UNDER THE FEDERAL COPYRIGHT LAWS."

AUTOMATED BY PRTLST.4Q(50)

PARTS LIST

SHEET A2 OF A2

LINE	ITEM	TOP DOCUMENT	PART NUMBER	MIN REV	DESCRIPTION	QTY PER VARIATION		
						FA	FB	FC
					VARIATION REVISION LEVEL:	78	78	78
31	31	D-MD-7427464-0-0	7427464-01		BRACE,CABLE BUNDLE	3	3	3
32	32	A-PS-3615087-0-0	3615087-02		LABEL,"DANGER-HIGH CURRENT"	1	1	1
33	33	D-UA-G727-0-0	G727 -00		SHORTS DD11 W/O PERIPH CONT	9	9	9
34	34		9007032-00		TIE,CABLE BUNDL.DIA 0-1-3/4"=101	3	3	3
35	35		9010156-00		SCREW,SEMS HEX 10-	1	1	1
36	36		9007786-00		RETAINER,U-NUT 10-32X	1	1	1
37	37		3621743-01		LABEL,FCC BULKHEAD CONFIGURATION	1	1	1
38	38		7426407-05		PANEL,DOUBLE (MASS BUS)	3	3	3
39	39		7423538-00		CASE PLATE I/O CONNECTOR	3	3	3
40	40		9006688-00		WASHER,HELICAL SPLIT SST	6	6	6
41	41		1219534-01		SCREW, CAPTV SLOT 4-	6	6	6
42	42		7008288-06		CABLE ASSY	1	1	1
43	43		7019606-00		ACCESSORY KIT 11750-F	1	1	1

44 NOTE: 11750-FC NO SOFTWARE, WITH SPECIAL WARRANTY.

D	I	G	I	T	A	L	TITLE	SECTION A OF A	SIZE	CODE	DOCUMENT NUMBER	REV
							UNIT ASSY VAX 11750-F		K	PL	11750-F-DBP	C

DRAWING NO.	NO. OF SHTS.	PART NO.	DESCRIPTION	REVISIONS																			
				78																			
		11750-FA	SYSTEM REVISION	78																			
K-PL-11750-F-DBP			PARTS LIST	C																			
E-UA-11750-F-0			UNIT ASSEMBLY	C																			
K-SA-11750-F-0			CONFIGURATION CONTROL	A																			
K-SA-11750-F-1			CONFIGURATION CONTROL	B																			
K-TC-11750-F-1			TABLE OF CONTENTS	C																			

NOTES:
 THIS DRAWING DIRECTORY WAS CREATED AT ECO 11750-TW004 FOR ANY PREVIOUS INFO REFER TO K-DD-11750-F

REVISION HISTORY	ECO NO.	REV.
	1/85 TW004	A

THIS DRAWING AND THE SPECIFICATIONS CONTAINED HEREIN ARE CONFIDENTIAL AND PROPRIETARY. THEY ARE THE PROPERTY OF DIGITAL EQUIPMENT CORPORATION AND SHALL NOT BE REPRODUCED OR COPIED OR USED IN WHOLE OR IN PART AS THE BASIS FOR THE MANUFACTURE OR SALE OF ITEMS WITHOUT WRITTEN PERMISSION. THIS IS AN UNPUBLISHED WORK PROTECTED UNDER THE FEDERAL COPYRIGHT LAWS. 1984



DRN. <i>Barbara Pelliccia</i>	DATE <i>8 Jan 85</i>
CHK'D <i>Tom McCubbert</i>	DATE <i>8 Jan 85</i>
DES. ENG.	DATE
RESP. ENG.	DATE
MFG. ENG.	DATE

TITLE	DRAWING DIRECTORY		
	11750-F		
DOCUMENT NUMBER	NUMBER	REV.	
	11750-FA	A	
SHEET	OF		

DRAWING NO.	NO OF SHTS.	PART NO.	DESCRIPTION	REVISIONS													
				1	2	3	4	5	6	7	8	9	10	11	12		
		11750-FB	SYSTEM REVISION	78													
K-PL-11750-F-DBP			PARTS LIST	C													
E-UA-11750-F-O			UNIT ASSEMBLY	C													
K-SA-11750-F-O			CONFIGURATION CONTROL	A													
K-SA-11750-F-I			CONFIGURATION CONTROL	B													
K-TC-11750-F-I			TABLE OF CONTENTS	C													

NOTES:
 THIS DRAWING DIRECTORY WAS CREATED AT ECO 11750-TW004 FOR ANY PREVIOUS INFO REFER TO K-DD-11750-F

REVISION HISTORY	
DATE	ECO NO. REV.
1/85	TW004 A

THIS DRAWING AND THE SPECIFICATIONS CONTAINED HEREIN ARE CONFIDENTIAL AND PROPRIETARY. THEY ARE THE PROPERTY OF DIGITAL EQUIPMENT CORPORATION AND SHALL NOT BE REPRODUCED OR COPIED OR USED IN WHOLE OR IN PART AS THE BASIS FOR THE MANUFACTURE OR SALE OF ITEMS WITHOUT WRITTEN PERMISSION. THIS IS AN UNPUBLISHED WORK PROTECTED UNDER THE FEDERAL COPYRIGHT LAWS. 1984



DRN: Barbara Pelliccia	DATE 6 Jan 85
CHK'D: Tom McCullough	DATE 6 JAN 85
DES. ENG.	DATE
RESP. ENG.	DATE
MFG. ENG.	DATE

TITLE DRAWING DIRECTORY			
1 11750-F			
DOCUMENT NUMBER			
SIZE	CODE	NUMBER	REV
B	DD	11750-FB	A
SHEET OF			

REV A NUMBER 11750-FC SIZE CODE B DD

DRAWING NO.	NO. OF SHTS.	PART NO.	DESCRIPTION	REVISIONS																				
				1	2	3	4	5	6	7	8	9	10	11	12									
		11750-FC	SYSTEM REVISION	78																				
K-PL-11750-F-DBP			PARTS LIST	C																				
E-UA-11750-F-0			UNIT ASSEMBLY	C																				
K-SA-11750-F-0			CONFIGURATION CONTROL	A																				
K-SA-11750-F-1			CONFIGURATION CONTROL	B																				
K-TC-11750-F-1			TABLE OF CONTENTS	C																				

NOTES:
 THIS DRAWING DIRECTORY WAS CREATED AT ECO 11750-TW004 FOR ANY PREVIOUS INFO REFER TO K-DD-11750-F

REVISION HISTORY		
DATE	ECO NO.	REV.
1/85	TW004	A

THIS DRAWING AND THE SPECIFICATIONS CONTAINED HEREIN ARE CONFIDENTIAL AND PROPRIETARY. THEY ARE THE PROPERTY OF DIGITAL EQUIPMENT CORPORATION AND SHALL NOT BE REPRODUCED OR COPIED OR USED IN WHOLE OR IN PART AS THE BASIS FOR THE MANUFACTURE OR SALE OF ITEMS WITHOUT WRITTEN PERMISSION. THIS IS AN UNPUBLISHED WORK PROTECTED UNDER THE FEDERAL COPYRIGHT LAWS. 1984



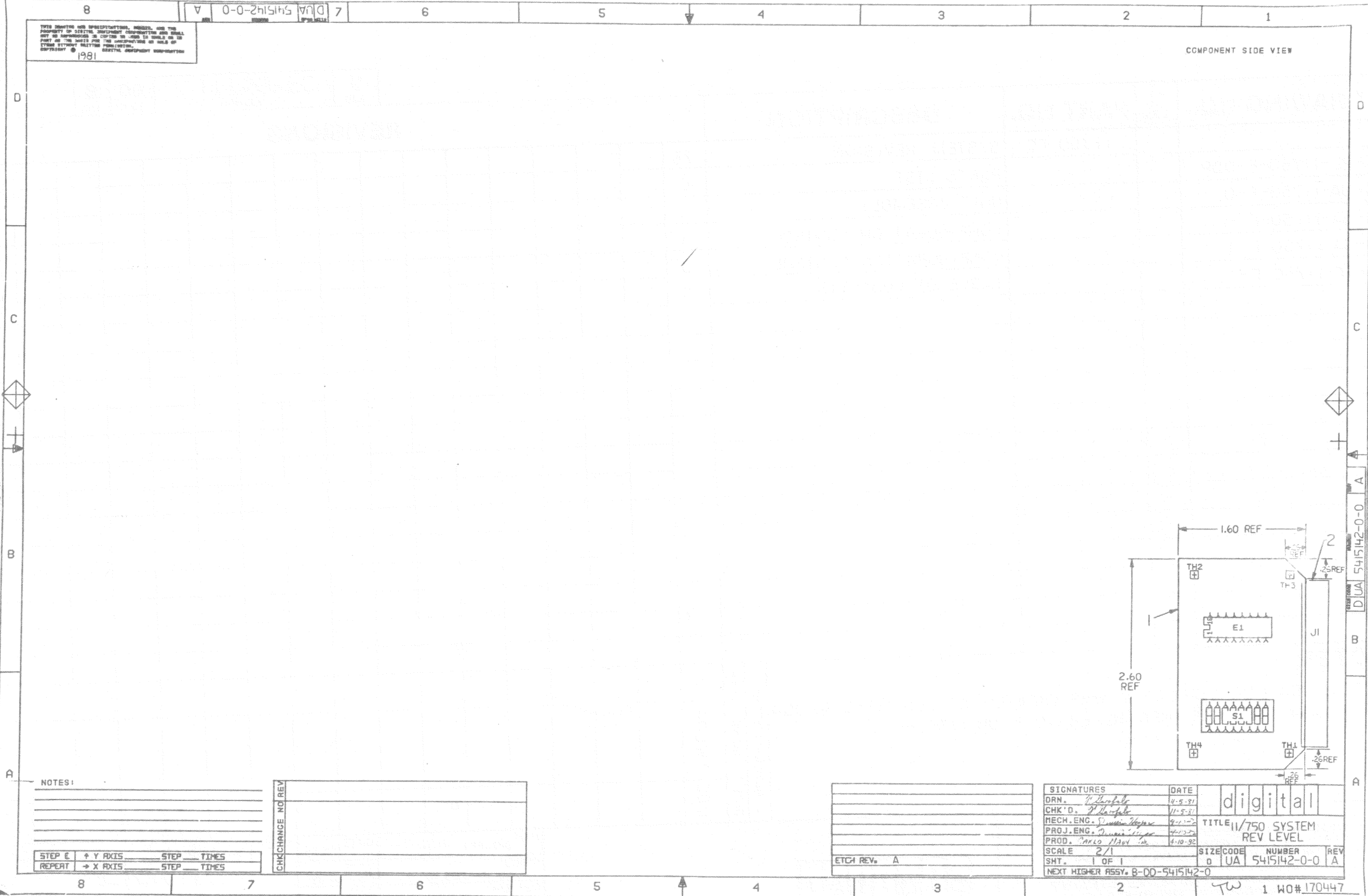
DRN. Barbara Pelliccia	DATE 8 Jan 85
CHK'D Tom McCullough	DATE 8 JAN 85
DES. ENG.	DATE
RESP. ENG.	DATE
MFG. ENG.	DATE

TITLE DRAWING DIRECTORY			
11750-F			
DOCUMENT NUMBER			
SIZE B	CODE DD	NUMBER 11750-FC	REV A
SHEET	1	OF	1

THIS DRAWING AND SPECIFICATIONS, MODEL AND THE PROPERTY OF BENTON DEPARTMENT COMPANY AND SHALL NOT BE REPRODUCED OR COPIED IN WHOLE OR IN PART OR IN ANY MANNER FOR THE PURPOSES OF THIS CONTRACT WITHOUT THE WRITTEN PERMISSION OF BENTON DEPARTMENT COMPANY.

1981

COMPONENT SIDE VIEW



NOTES:

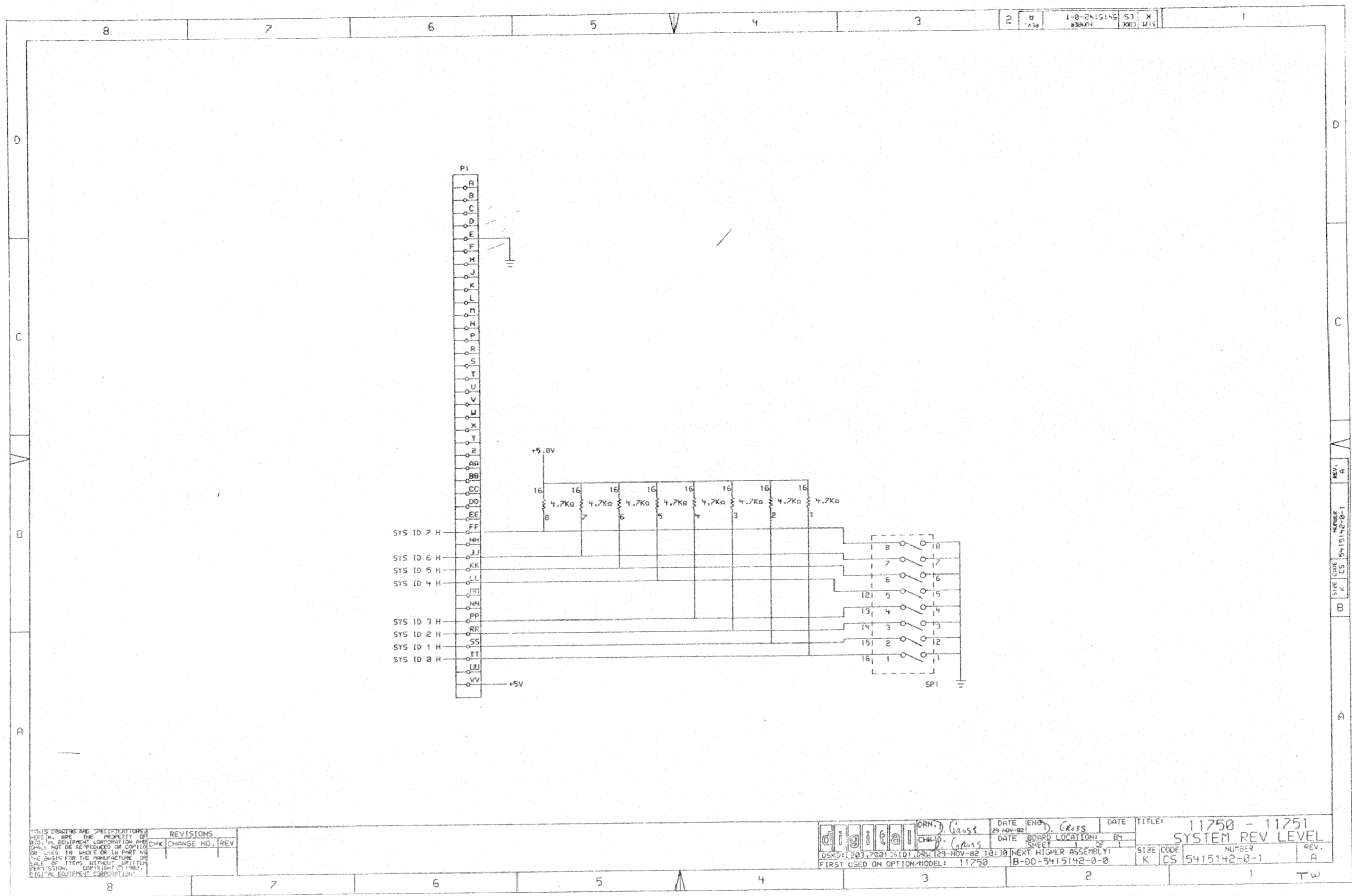
STEP E	+ Y AXIS	STEP	TIMES
REPEAT	+ X AXIS	STEP	TIMES

CHANGE NO	REV

ETCH REV.	A

SIGNATURES		DATE	digital
DRN.	<i>[Signature]</i>	4-5-81	
CHK'D.	<i>[Signature]</i>	11-5-81	
MECH. ENG.	<i>[Signature]</i>	2-1-82	
PROJ. ENG.	<i>[Signature]</i>	4-13-82	
PROD.	<i>[Signature]</i>	4-10-92	
SCALE	2/1	SIZE	CODE
SHT.	1 OF 1	NUMBER	REV
NEXT HIGHER ASSY: B-DD-541542-0		0 UA	541542-0-0 A

TW 1 WO# 170447



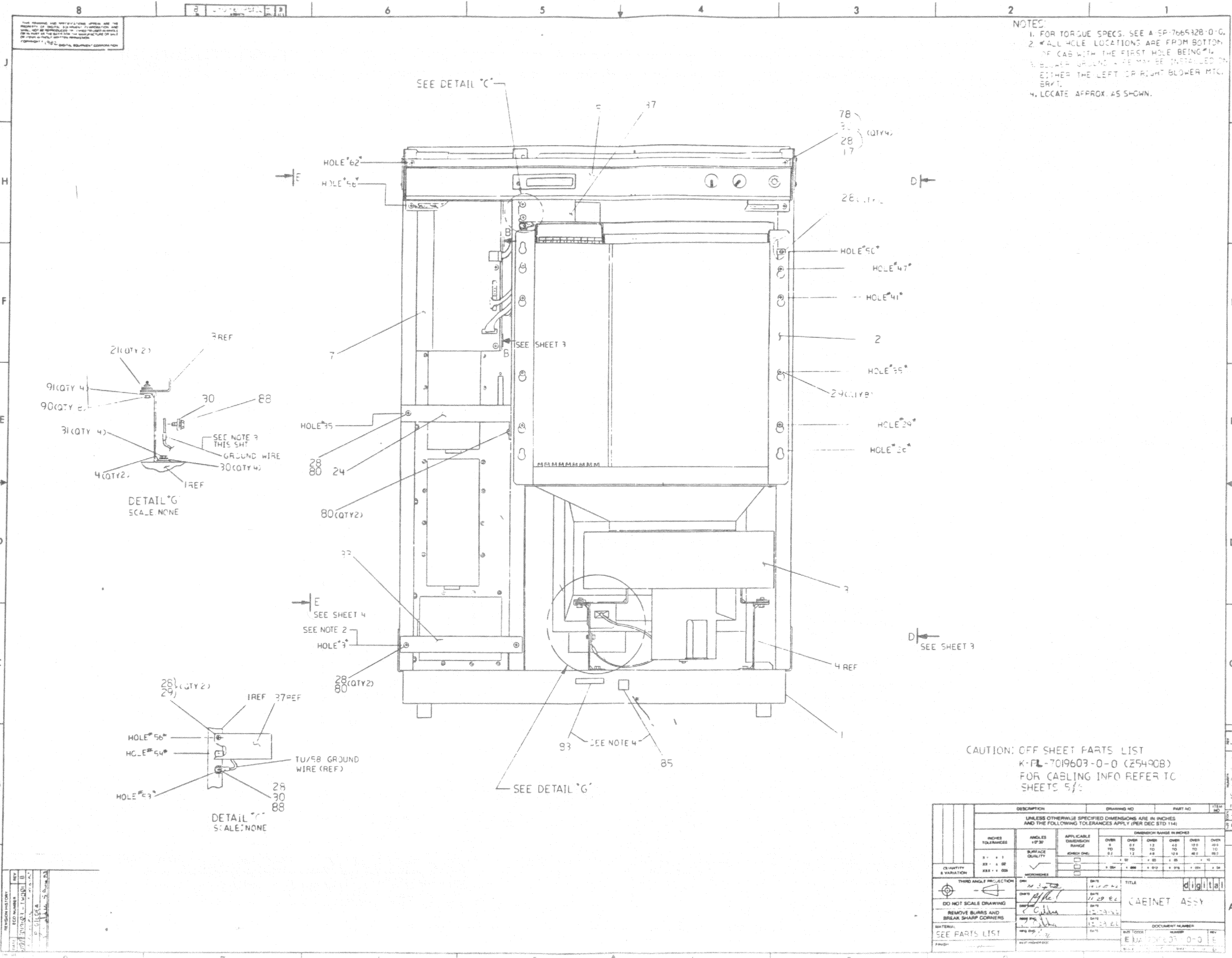
THIS DRAWING AND SPECIFICATIONS
HEREIN ARE THE PROPERTY OF
DIGITAL EQUIPMENT CORPORATION AND
SHALL NOT BE REPRODUCED OR COPIED
OR USED IN WHOLE OR IN PART AS
THE BASIS FOR THE MANUFACTURE OR
SALE OF ITEMS WITHOUT WRITTEN
PERMISSION. COPYRIGHT © 1982,
DIGITAL EQUIPMENT CORPORATION.

REVISIONS		
CHK	CHANGE NO.	REV

digital	DRN: J. Gross	DATE: 29 NOV 82	END: J. Gross	DATE:	TITLE: 11750 - 11751
	CHK: J. Gross	DATE:	BOARD LOCATION: 8H	SHEET: 1 OF 1	SYSTEM REV LEVEL
DSKD: 203,7001,5101, DRW: 29-NOV-82 10:30			NEXT HIGHER ASSEMBLY: B-DD-5415142-0-0		SIZE CODE: K CS
FIRST USED ON OPTION/MODEL: 11750					NUMBER: 5415142-0-1
					REV: A

REV. A
NUMBER 5415142-0-1
SIZE CODE K CS
B

1 Tw



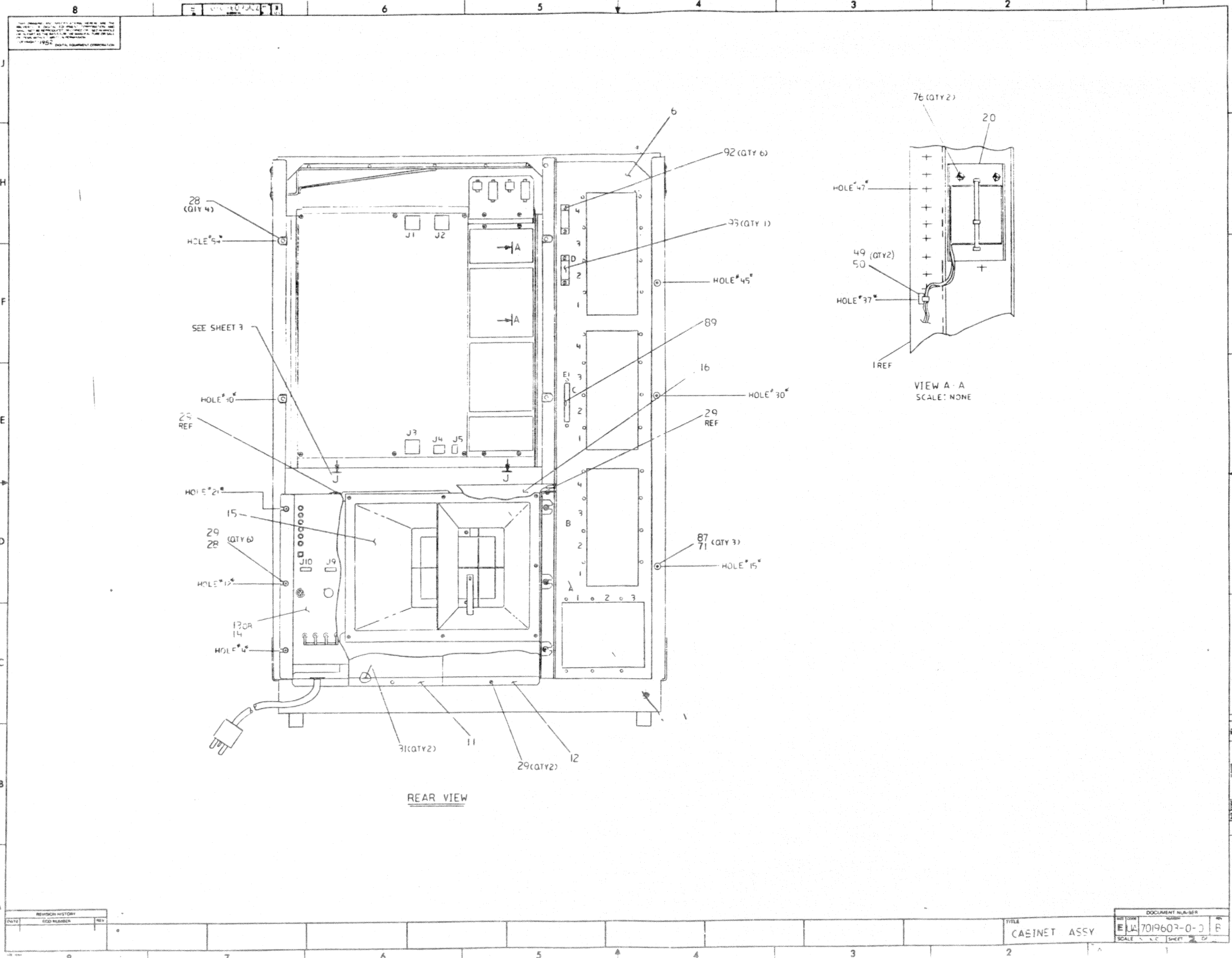
NOTES:

1. FOR TORQUE SPECS. SEE A-SP-7665328-0-G.
2. WALL HOLE LOCATIONS ARE FROM BOTTOM OF CAB WITH THE FIRST HOLE BEING #4.
3. BLOWER GROUND WIRE MAY BE INSTALLED ON EITHER THE LEFT OR RIGHT BLOWER MTC. BRKT.
4. LOCATE APPROX. AS SHOWN.

REV	DATE	DESCRIPTION
1		
2		
3		

INCHES TOLERANCES	ANGLES ±.03	APPLICABLE DIMENSION RANGE	DIMENSION RANGE IN INCHES					
			OVER 0 TO .02	OVER .02 TO .04	OVER .04 TO .06	OVER .06 TO .08	OVER .08 TO .10	OVER .10 TO .12
±.005	±.005	±.005	±.005	±.005	±.005	±.005	±.005	±.005
±.010	±.010	±.010	±.010	±.010	±.010	±.010	±.010	±.010
±.015	±.015	±.015	±.015	±.015	±.015	±.015	±.015	±.015
±.020	±.020	±.020	±.020	±.020	±.020	±.020	±.020	±.020
±.030	±.030	±.030	±.030	±.030	±.030	±.030	±.030	±.030
±.040	±.040	±.040	±.040	±.040	±.040	±.040	±.040	±.040
±.050	±.050	±.050	±.050	±.050	±.050	±.050	±.050	±.050
±.060	±.060	±.060	±.060	±.060	±.060	±.060	±.060	±.060
±.070	±.070	±.070	±.070	±.070	±.070	±.070	±.070	±.070
±.080	±.080	±.080	±.080	±.080	±.080	±.080	±.080	±.080
±.090	±.090	±.090	±.090	±.090	±.090	±.090	±.090	±.090
±.100	±.100	±.100	±.100	±.100	±.100	±.100	±.100	±.100

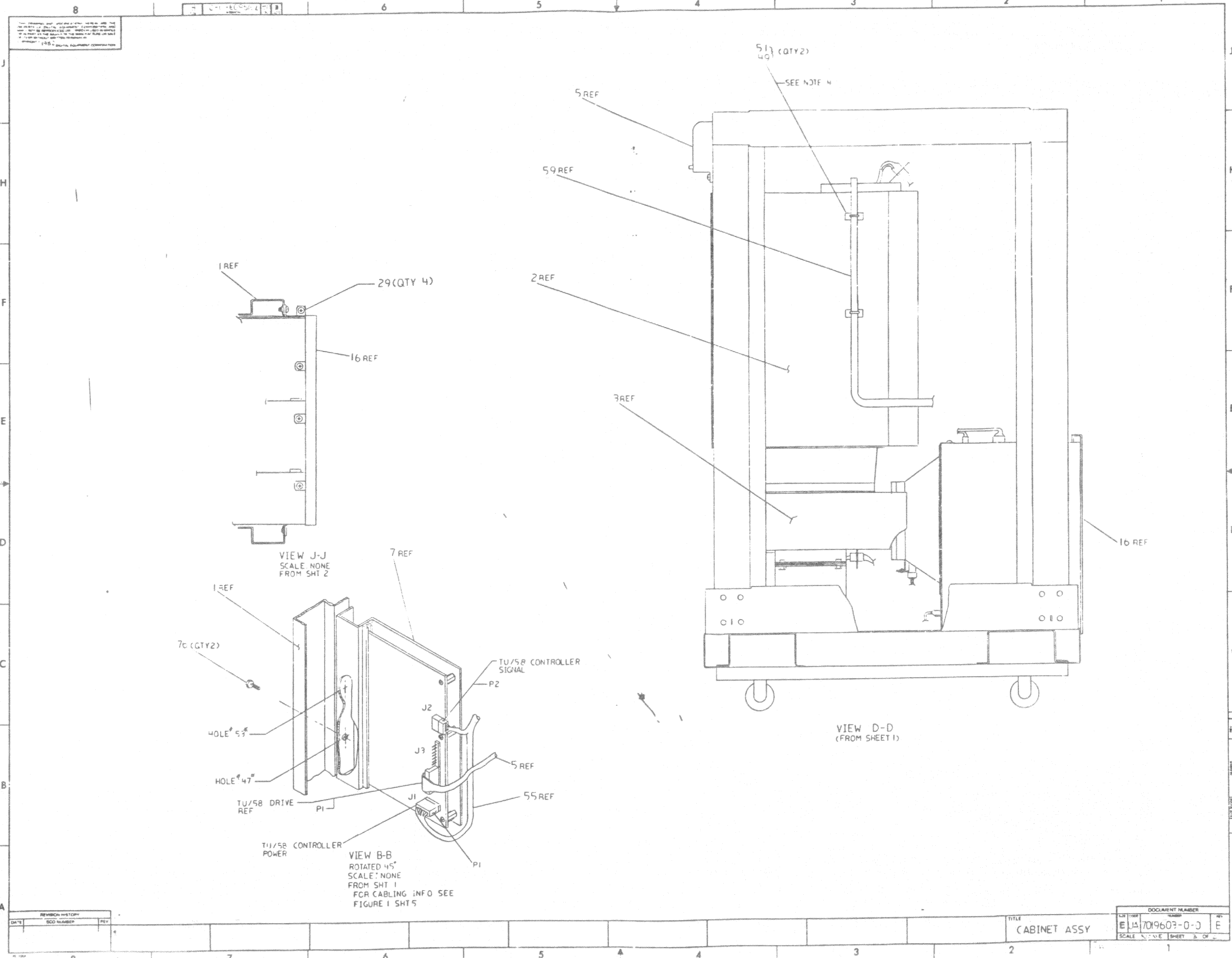
DESCRIPTION	DRAWING NO	PART NO	ITEM NO
CABINET ASSY	K-PL-7019603-0-0 (254908)		
UNLESS OTHERWISE SPECIFIED DIMENSIONS ARE IN INCHES AND THE FOLLOWING TOLERANCES APPLY (PER DEC STD 114)			
QUANTITY & VARIATION	THIRD ANGLE PROJECTION	DATE	TITLE
DO NOT SCALE DRAWING	REMOVE BLURS AND BREAK SHARP CORNERS	DATE	digital
MATERIAL	SEE PARTS LIST	DATE	DOCUMENT NUMBER
FINISH		DATE	E 02 7019603-0-0 1E



THIS DRAWING AND ANY PARTS THEREON ARE THE PROPERTY OF THE UNITED STATES GOVERNMENT AND ARE TO BE USED FOR THE PURPOSES SPECIFIED THEREIN. IT IS TO BE REPRODUCED AND TRANSMITTED IN ANY FORM AND BY ANY MEANS, ELECTRONIC OR MECHANICAL, INCLUDING PHOTOCOPYING, RECORDING, OR BY ANY INFORMATION STORAGE AND RETRIEVAL SYSTEM, WITHOUT PERMISSION IN WRITING FROM THE DIRECTOR, ARPA, WASHINGTON, D.C. 20301.

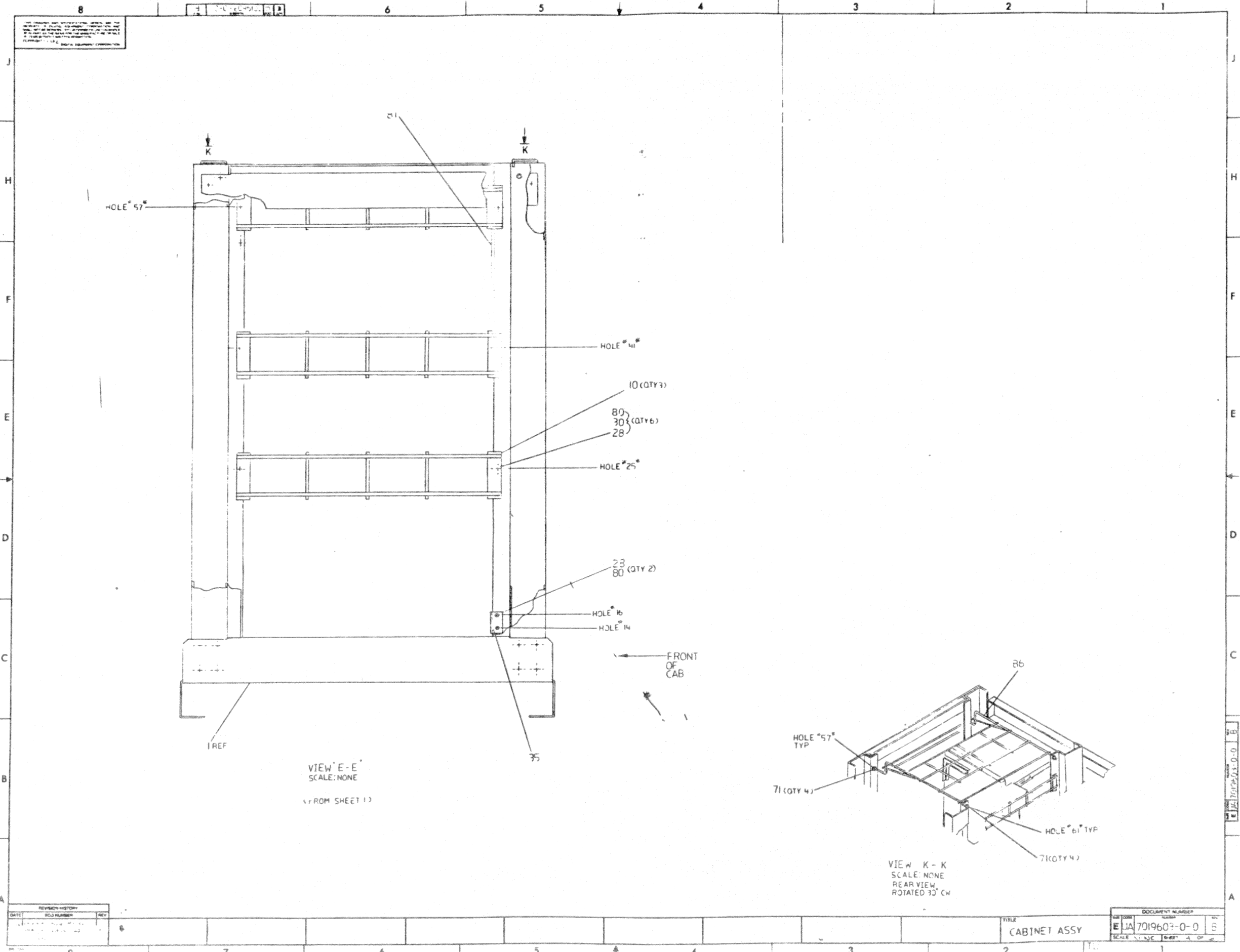
REVISION HISTORY	
DATE	DESCRIPTION

TITLE: CABINET ASSY
 DOCUMENT NUMBER: 7019602-0-3
 SCALE: A.C. SHEET 3 OF 3



DATE	REVISION HISTORY	REV

TITLE		DOCUMENT NUMBER	
CABINET ASSY		EJA7019603-0-0	
SCALE	NONE	SHEET	3 OF 3



DATE	REV	DESCRIPTION

TITLE	DOCUMENT NUMBER
CABINET ASSY	7019603-0-0

7019603-0-0
 SHEET 1 OF 1

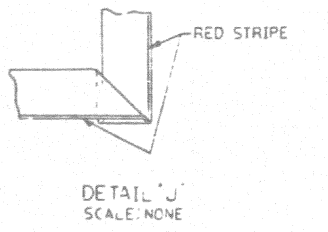
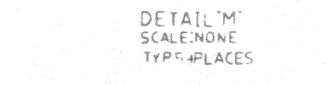
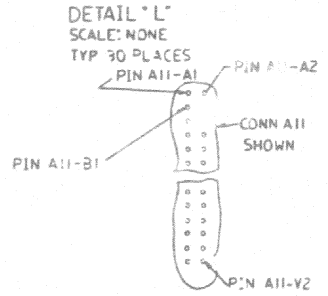
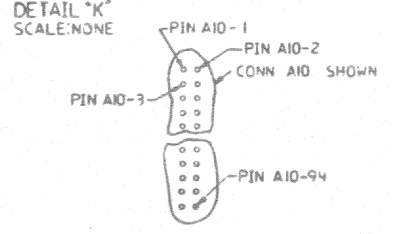
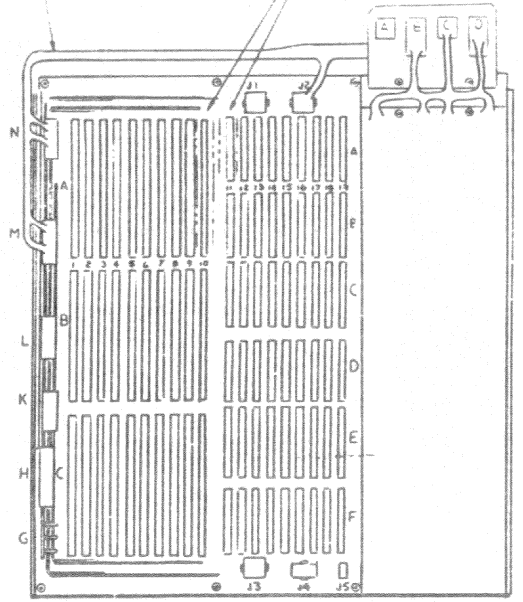
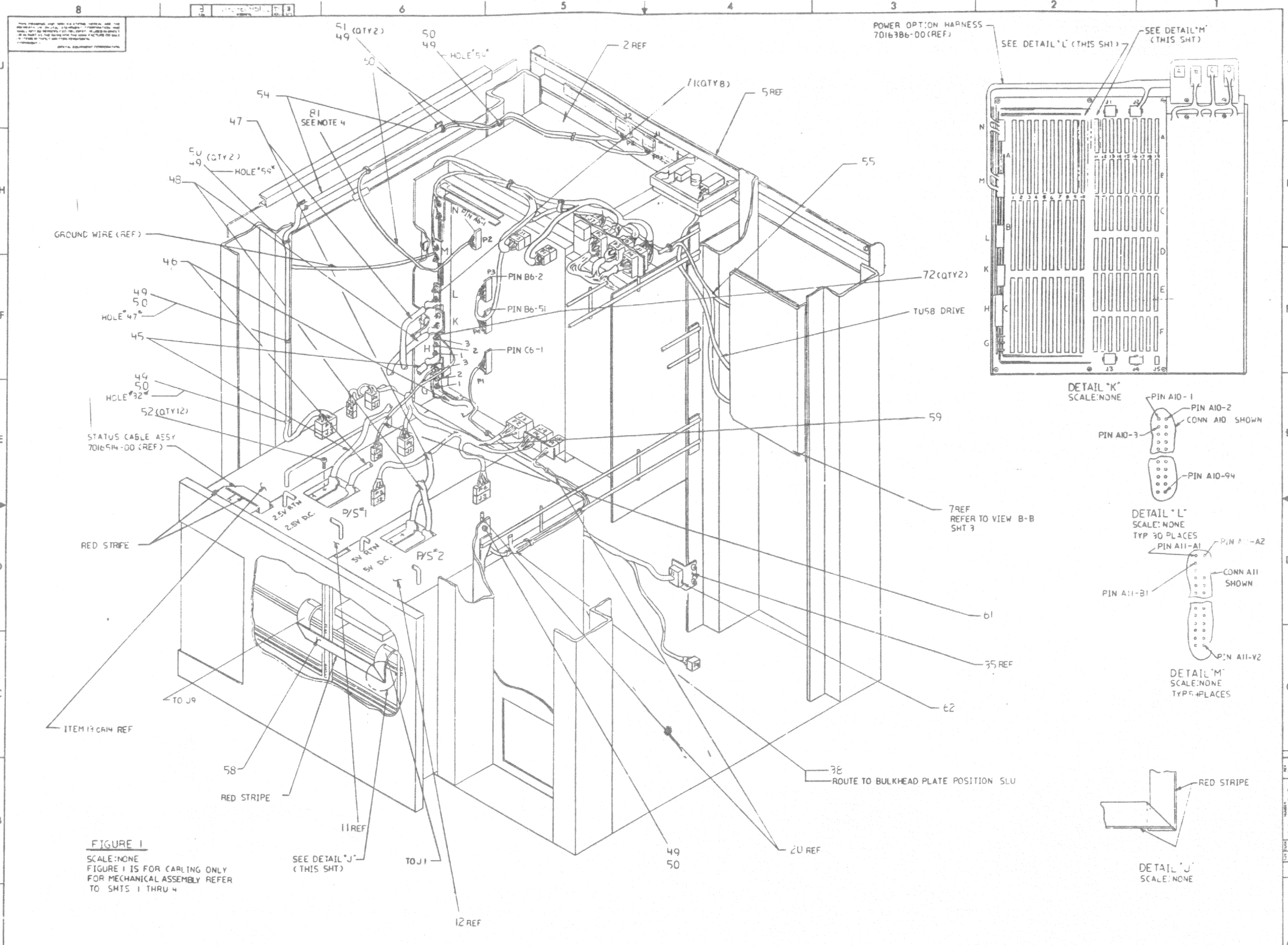


FIGURE 1
SCALE: NONE
FIGURE 1 IS FOR CARLING ONLY
FOR MECHANICAL ASSEMBLY REFER
TO SHTS 1 THRU 4

REVISION HISTORY			
DATE	BY	REV	DESCRIPTION

8 6 5 4 3 2 1

ALL DIMENSIONS AND WEIGHTS ARE IN INCHES AND POUNDS UNLESS OTHERWISE SPECIFIED. THIS DRAWING IS THE PROPERTY OF THE U.S. GOVERNMENT AND IS TO BE RELEASED TO THE PUBLIC AS AUTHORIZED BY THE NATIONAL ARCHIVES AND RECORDS ADMINISTRATION. DATE 11/19/82. DIGITAL EQUIPMENT CORPORATION.

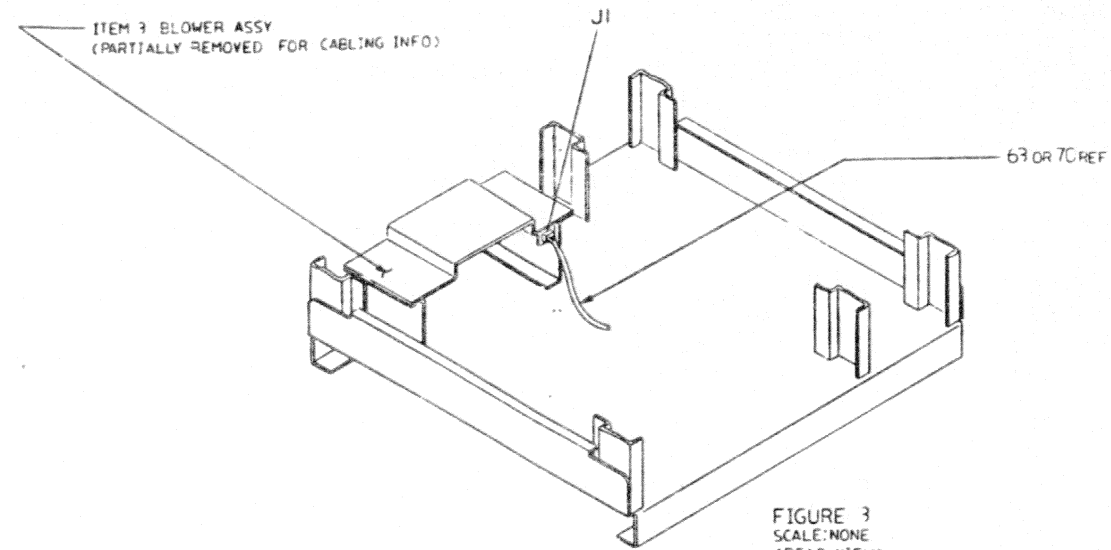


FIGURE 3
SCALE: NONE
(REAR VIEW)

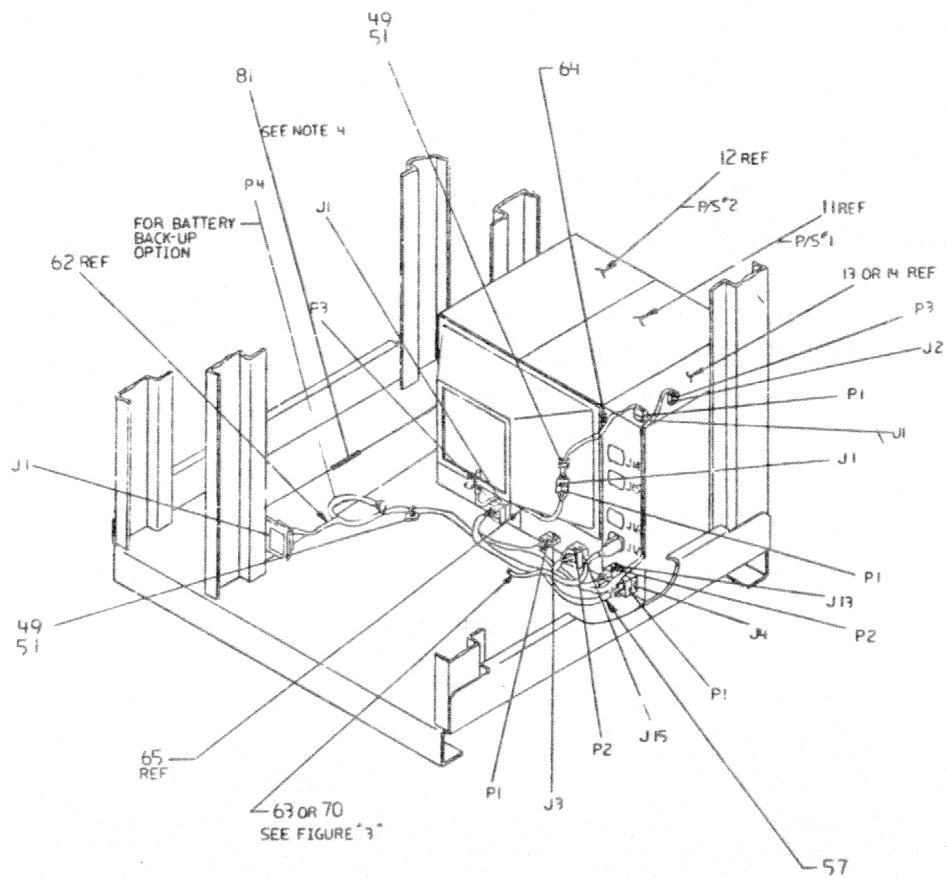


FIGURE 2
SCALE: NONE
(FRONT VIEW)

DATE	REVISION	BY

TITLE	DOCUMENT NUMBER
CABINET ASSY	EUA 701603-0-0 E

7 6 5 4 3 2 1

EUA 701603-0-0 B

PARTS LIST

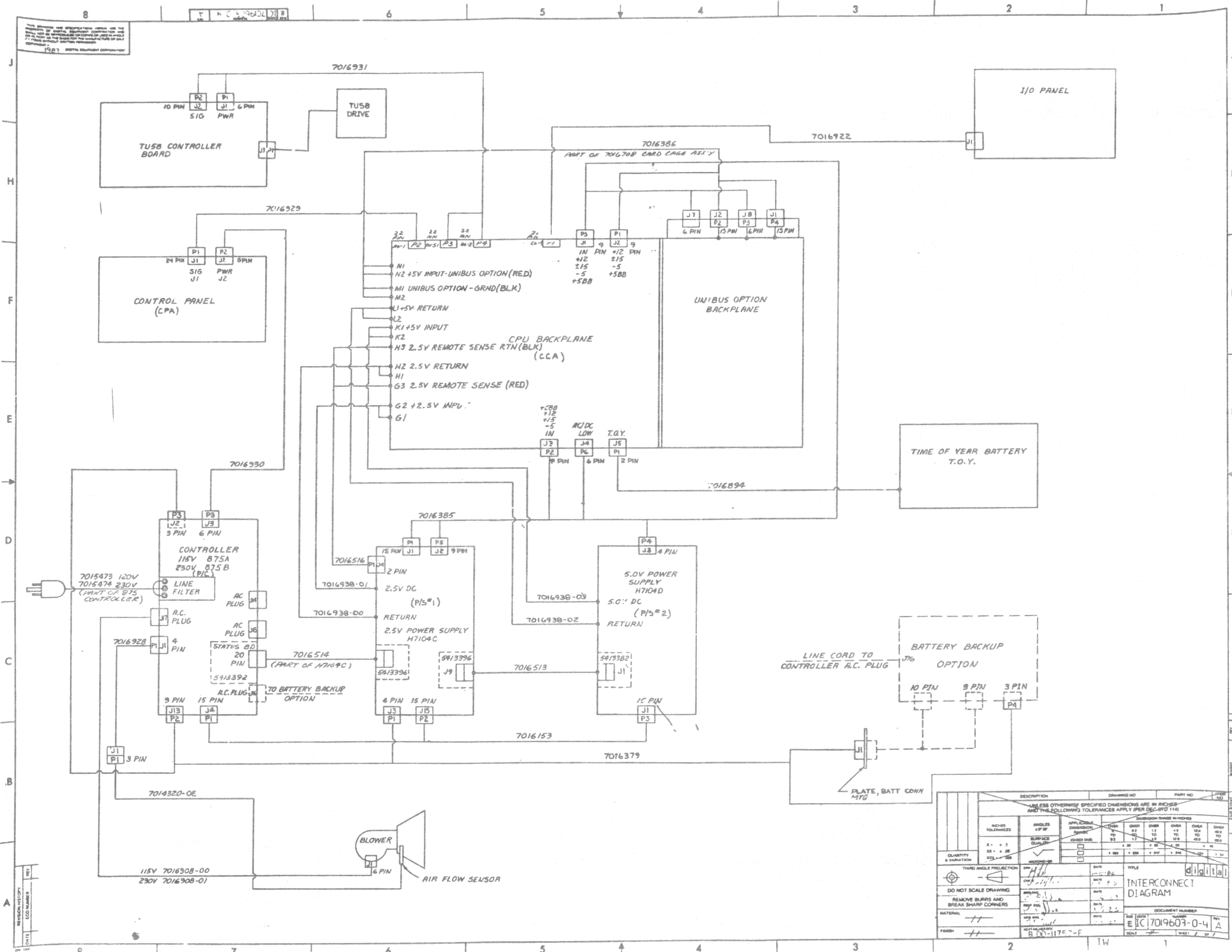
LINE	ITEM	DOCUMENT NUMBER	PART NUMBER	DESCRIPTION	QUANTITY PER VARIATION	
					00	01
1	1	B-DD-H9545-F-0	H9545-FB	40" WIDE BODY FRAME ASSEMBLED FR	1	1
2	2	E-AD-7016708-0-0	7016708-00	CARD CAGE ASSY.	1	1
3	3		1215434-00	BLOWER, FORWD CURVED 340CFM 230V	1	1
4	4	D-MD-7421648-0-0	7421648-00	BRKT. FAN MTG.	2	2
5	5	E-AD-7016709-0-0	7016709-00	CONTROL PANEL ASSY	1	1
6	6	E-UA-H9544-SE-0	H9544-SE	SHIELDED VERTICAL BULKHEAD, H9545	1	1
7	7	D-AD-7016944-0-0	7016944-00	TU58 BOARD AND BRACKET ASSY.	1	1
8	10	D-IA-7016374-0-0	7016374-00	WELDMENT, CABLE TROUGH SIDE	3	3
9	11	C-UA-H7104C-0-0	H7104-C	7016157-01: 7016157-00(2.5V 85A)	1	1
10	12	C-UA-H7404D-0-0	H7104-D	7016156-01: 7016156-00(+5V 135A)	1	1
11	13	C-UA-875-0-0	00875-A	120V 24A PC, POWER SEQUENCING, 4 S	1	-
12	14	C-UA-875-0-0	00875-B	875-A EXCEPT 240V 12A	-	1
13	15	E-IA-7015708-0-0	7015708-00	ENCLOSURE ASSY	1	1
14	16	D-AD-7020273-0-0	7020273-00	PANEL ASSY. FRONT	1	1
15	17		9006075-03	SCREW, MACH TRUSS PHIL 10-	4	4
16	20	C-AD-7016894-0-0	7016894-00	TIME OF YEAR BATTERY	1	1
17	21	B-IA-7014099-0-0	7014099-00	NUT PLATE ASSY.	2	2
18	24	D-MD-7427927-0-0	7427927-01	BRACKET, UPPER BATTERY BACK-UP	1	1
19	28		9007786-00	RETAINER, U-NUT 10-32X	40	40
20	29		9009700-00	SCREW, SEMS TRUSS PHIL 10-	22	22
21	30		5006664-00	WASHER, FLAT SST	16	16
22	31		9008323-00	SCREW, SEMS HEX SLOT 10-	6	6
23	33	D-IA-7427926-0-0	7427926-01	BRACKET, BATTERY BACK-UP	1	1
24	35	B-MD-7428264-0-0	7428264-01	BRACKET, BATTERY CONN MTG	1	1
25	37	C-MD-7423562-0-0	7423562-00	BRACKET TU58 PROTECTION	1	1
26	38	D-UA-7016922-0-0	7016922-00	FILTERED CABLE ASSY	1	1
27	39	E-IC-7019603-0-4		INTERCONNECTION DIAG	REF	REF
28	45	C-IA-7016938-0-0	7016938-00	POWER CABLE ASSY.	1	1
29	46		7016938-01	POWER CABLE ASSY 2.5V OUTPUT	1	1
30	47		7016938-02	POWER CABLE ASSY, 5V RTN	1	1

REVISION HISTORY		BASIC PART NO: 7019603		DRN: R. J. RILEY		DATE: 02-DEC-82		D I G I T A L	
ENG:	ECO NUMBER	REV	SECTION A OF A	CHK'D:	R. J. RILEY	DATE:	02-DEC-82	TITLE PARTS LIST	
PG	INITIAL	A	SECTION VARIATION INDEX	DES. ENG.:	P. GILDEA	DATE:	02-DEC-82	CABINET ASSY VAX 11750	
	7019603-TW001	B	[A] 00,01	RESP. ENG.:	P. GILDEA	DATE:	02-DEC-82	DOCUMENT NUMBER	
			[B]	MFG. ENG.:	R. SMITH	DATE:	02-DEC-82	SIZE	CODE
			[C]	ASSEMBLY NUMBER:	E-UA-7019603-0-0	TOP DOCUMENT NUMBER:	B-DD-7016707-0-0	NUMBER	REV
			[D]			FILE NAME:	Z5490B.PLS	21	EDIT #
			[E]						
			[F]						

"THIS DRAWING AND SPECIFICATIONS HEREIN, ARE THE PROPERTY OF DIGITAL EQUIPMENT CORPORATION AND SHALL NOT BE REPRODUCED OR COPIED OR USED IN WHOLE OR IN PART AS THE BASIS FOR THE MANUFACTURE OR SALE OF ITEMS WITHOUT WRITTEN PERMISSION. COPYRIGHT (C) 1983. DIGITAL EQUIPMENT CORPORATION "

LINE	ITEM	DOCUMENT NUMBER	PART NUMBER	DESCRIPTION	QUANTITY PER VARIATION	
					00	01
31	48		7016938-03	POWER CABLE ASSY,5V OUTPUT	1	1
32	49		9007032-00	TIE,CABLE BUNDL.DIA 0-1-3/4"=101	14	14
33	50		9007867-00	MOUNT, PUSH,CABLE TIE	8	8
34	51		9008264-00	MOUNT, CABLE TIE, ADHESIVE BACKE	6	6
35	52		9009228-10	SCREW,SEMS PAN PHIL 10-	12	12
36	54	D-IA-7016930-0-0	7016930-00	CONSOLE POWER CABLE ASSY.	1	1
37	55	E-IA-7016931-0-0	7016931-00	TU58 CABLE ASSY	1	1
38	57	E-IA-7016153-0-0	7016153-00	A C HARNESS	1	1
39	58	D-IA-7016513-0-0	7016513-00	CONTROL,CABLE ASSY	1	1
40	59	E-IA-7016385-0-0	7016385-00	HARNESS PWR,SIGNAL	1	1
41	60	D-IA-7016929-0-0	7016929-00	CONSOLE SIGNAL CABLE ASSY.	1	1
42	61	D-IA-7016516-0-0	7016516-00	REMOTE SENSE CABLE ASSY	1	1
43	62	D-IA-7016379-0-0	7016379-00	HARNESS, 2.5V/5.0V	1	1
44	63	D-IA-7016908-0-0	7016908-00	BLOWER CORD ASSY	1	-
45	64	D-IA-7016928-0-0	7016928-00	PATCH CABLE AIR FLOW	1	1
46	65	D-IA-7014320-0-0	7014320-0E	AIR FLOW SENSOR ASSY.	REF	REF
47	70		7016908-01	BLOWER CORD ASSY.	-	1
48	71		9006565-00	NUT,HEX EXT TOOTH LCKWSHR 10-32	19	19
49	72		9008185-00	NUT,HEX EXT TOOTH LCKWSHR 6-32	2	2
50	76		9006444-00	SCREW,SEMS HEX SLOT 10-	4	4
51	78		9007651-00	WASHER,LOCK EXTERNAL STEEL	12	12
52	80		9000049-45	SCREW,SEMS HEX SLOT 10-	13	13
53	81		9009718-04	GROMMET,STRIP STYRENE	3	3
54	83		3617674-01	LABEL,SERIAL & POWER W/UL & CSA	1	1
55	85		9008473-00	LABEL, PLAIN, PRESSURE SENSITIVE	1	1
56	86	D-IA-7018135-0-0	7018135-00	CABLE TROUGH TOP	1	1
57	87		9008841-01	STANDOFF,MALE/FEMALE HEX 10-32	3	3
58	88		9010156-00	SCREW,SEMS HEX 10-	2	2
59	89	B-IA-7414197-0-0	7414197-01	PLATE,COVER	1	1
60	90		9006233-09	SCREW,MACH HEX PLN 10-	8	8
61	91	BLANK		*** THIS ITEM IS NOT USED ***	-	-
62	92		9006453-00	SCREW,SEMS HEX SLOT 6-	6	6
63	93	B-IA-7414197-0-0	7414197-00	PLATE COVER	1	1

D	I	G	I	T	A	L	TITLE	CABINET ASSY VAX 11750	SECTION A	OF A	SIZE	CODE	DOCUMENT NUMBER	REV
											K	PL	7019603-0-DBP	B



THIS DRAWING AND SPECIFICATIONS SHALL BE THE PROPERTY OF THE COMPANY AND SHALL NOT BE REPRODUCED OR TRANSMITTED IN ANY FORM OR BY ANY MEANS, ELECTRONIC OR MECHANICAL, INCLUDING PHOTOCOPYING, RECORDING, OR BY ANY INFORMATION STORAGE AND RETRIEVAL SYSTEM, WITHOUT THE WRITTEN PERMISSION OF THE COMPANY.

REVISION HISTORY
 DATE
 ECD NUMBER
 REV

DESCRIPTION		DIMENSION NO.		PART NO.	
UNLESS OTHERWISE SPECIFIED DIMENSIONS ARE IN INCHES AND THE FOLLOWING TOLERANCES APPLY (PER DEC-GTD 114)					
INCHES	ANGLES	DIMENSION RANGE IN INCHES			
FRACTIONS	± 90°	0.000 - 0.250	0.250 - 0.500	0.500 - 1.000	1.000 - 10.000
± .005	SURFACE QUALITY	± .005	± .005	± .005	± .005
± .010	AS REQUIRED	± .010	± .010	± .010	± .010
± .015		± .015	± .015	± .015	± .015
± .020		± .020	± .020	± .020	± .020
± .030		± .030	± .030	± .030	± .030
± .040		± .040	± .040	± .040	± .040
± .050		± .050	± .050	± .050	± .050
± .060		± .060	± .060	± .060	± .060
± .070		± .070	± .070	± .070	± .070
± .080		± .080	± .080	± .080	± .080
± .090		± .090	± .090	± .090	± .090
± .100		± .100	± .100	± .100	± .100
± .125		± .125	± .125	± .125	± .125
± .150		± .150	± .150	± .150	± .150
± .175		± .175	± .175	± .175	± .175
± .200		± .200	± .200	± .200	± .200
± .250		± .250	± .250	± .250	± .250
± .300		± .300	± .300	± .300	± .300
± .375		± .375	± .375	± .375	± .375
± .450		± .450	± .450	± .450	± .450
± .500		± .500	± .500	± .500	± .500
± .625		± .625	± .625	± .625	± .625
± .750		± .750	± .750	± .750	± .750
± .875		± .875	± .875	± .875	± .875
± 1.000		± 1.000	± 1.000	± 1.000	± 1.000
± 1.250		± 1.250	± 1.250	± 1.250	± 1.250
± 1.500		± 1.500	± 1.500	± 1.500	± 1.500
± 1.750		± 1.750	± 1.750	± 1.750	± 1.750
± 2.000		± 2.000	± 2.000	± 2.000	± 2.000
± 2.500		± 2.500	± 2.500	± 2.500	± 2.500
± 3.000		± 3.000	± 3.000	± 3.000	± 3.000
± 3.750		± 3.750	± 3.750	± 3.750	± 3.750
± 4.500		± 4.500	± 4.500	± 4.500	± 4.500
± 5.000		± 5.000	± 5.000	± 5.000	± 5.000
± 6.000		± 6.000	± 6.000	± 6.000	± 6.000
± 7.000		± 7.000	± 7.000	± 7.000	± 7.000
± 8.000		± 8.000	± 8.000	± 8.000	± 8.000
± 9.000		± 9.000	± 9.000	± 9.000	± 9.000
± 10.000		± 10.000	± 10.000	± 10.000	± 10.000
± 12.500		± 12.500	± 12.500	± 12.500	± 12.500
± 15.000		± 15.000	± 15.000	± 15.000	± 15.000
± 17.500		± 17.500	± 17.500	± 17.500	± 17.500
± 20.000		± 20.000	± 20.000	± 20.000	± 20.000
± 25.000		± 25.000	± 25.000	± 25.000	± 25.000
± 30.000		± 30.000	± 30.000	± 30.000	± 30.000
± 37.500		± 37.500	± 37.500	± 37.500	± 37.500
± 45.000		± 45.000	± 45.000	± 45.000	± 45.000
± 50.000		± 50.000	± 50.000	± 50.000	± 50.000
± 60.000		± 60.000	± 60.000	± 60.000	± 60.000
± 70.000		± 70.000	± 70.000	± 70.000	± 70.000
± 80.000		± 80.000	± 80.000	± 80.000	± 80.000
± 90.000		± 90.000	± 90.000	± 90.000	± 90.000
± 100.000		± 100.000	± 100.000	± 100.000	± 100.000
± 125.000		± 125.000	± 125.000	± 125.000	± 125.000
± 150.000		± 150.000	± 150.000	± 150.000	± 150.000
± 175.000		± 175.000	± 175.000	± 175.000	± 175.000
± 200.000		± 200.000	± 200.000	± 200.000	± 200.000
± 250.000		± 250.000	± 250.000	± 250.000	± 250.000
± 300.000		± 300.000	± 300.000	± 300.000	± 300.000
± 375.000		± 375.000	± 375.000	± 375.000	± 375.000
± 450.000		± 450.000	± 450.000	± 450.000	± 450.000
± 500.000		± 500.000	± 500.000	± 500.000	± 500.000
± 600.000		± 600.000	± 600.000	± 600.000	± 600.000
± 700.000		± 700.000	± 700.000	± 700.000	± 700.000
± 800.000		± 800.000	± 800.000	± 800.000	± 800.000
± 900.000		± 900.000	± 900.000	± 900.000	± 900.000
± 1000.000		± 1000.000	± 1000.000	± 1000.000	± 1000.000
± 1250.000		± 1250.000	± 1250.000	± 1250.000	± 1250.000
± 1500.000		± 1500.000	± 1500.000	± 1500.000	± 1500.000
± 1750.000		± 1750.000	± 1750.000	± 1750.000	± 1750.000
± 2000.000		± 2000.000	± 2000.000	± 2000.000	± 2000.000
± 2500.000		± 2500.000	± 2500.000	± 2500.000	± 2500.000
± 3000.000		± 3000.000	± 3000.000	± 3000.000	± 3000.000
± 3750.000		± 3750.000	± 3750.000	± 3750.000	± 3750.000
± 4500.000		± 4500.000	± 4500.000	± 4500.000	± 4500.000
± 5000.000		± 5000.000	± 5000.000	± 5000.000	± 5000.000
± 6000.000		± 6000.000	± 6000.000	± 6000.000	± 6000.000
± 7000.000		± 7000.000	± 7000.000	± 7000.000	± 7000.000
± 8000.000		± 8000.000	± 8000.000	± 8000.000	± 8000.000
± 9000.000		± 9000.000	± 9000.000	± 9000.000	± 9000.000
± 10000.000		± 10000.000	± 10000.000	± 10000.000	± 10000.000

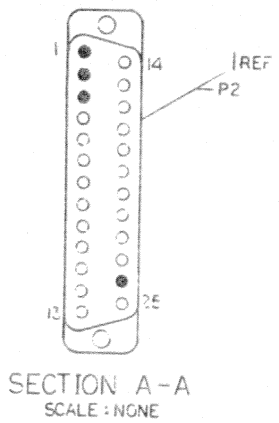
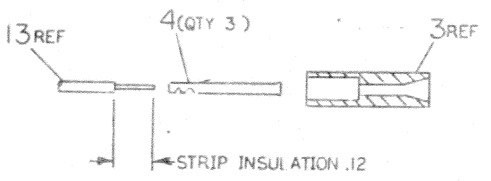
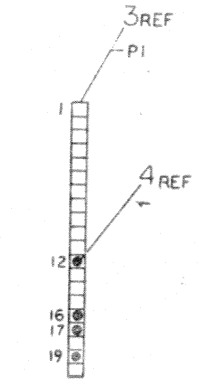
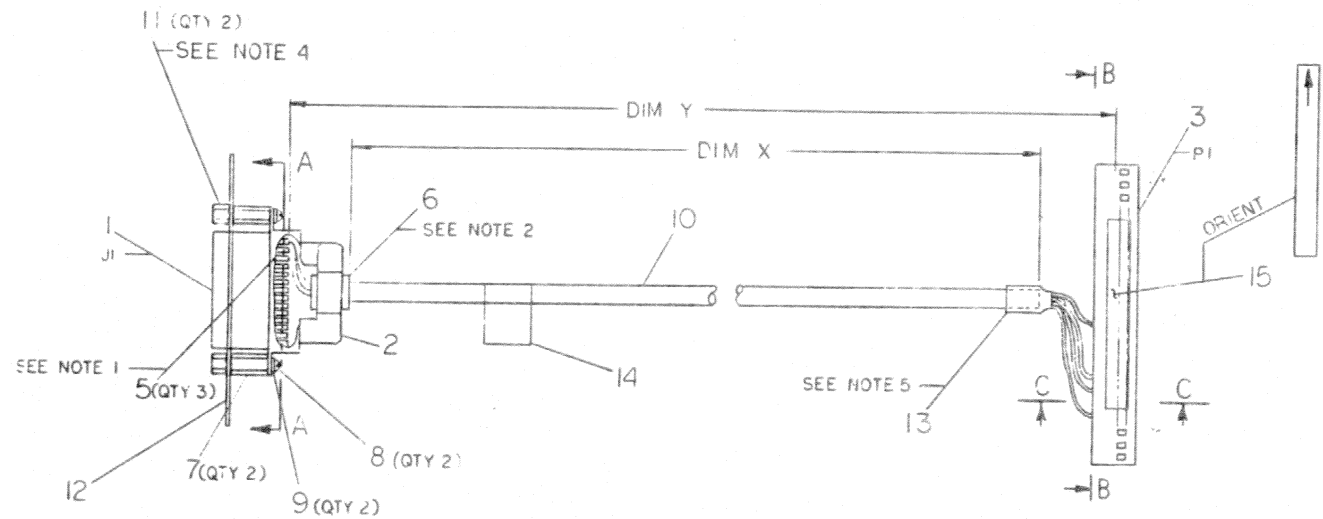
7019603-0-4 A

THIS DRAWING AND SPECIFICATIONS HEREIN ARE THE PROPERTY OF DIGITAL EQUIPMENT CORPORATION AND SHALL NOT BE REPRODUCED OR COPIED OR USED IN WHOLE OR IN PART AS THE BASIS FOR THE MANUFACTURE OR SALE OF ITEMS WITHOUT WRITTEN PERMISSION. COPYRIGHT © 1975 DIGITAL EQUIPMENT CORPORATION

WIRE TABLE										
ITEM NO.	DESCRIPTION	AWG	COLOR	FROM			TO			REFERENCE
				POINT	CONNECTION	WITH	POINT	CONNECTION	WITH	
IC	22	BLK	---	PI-12	4	---	J1-1	SOLDER	GROUND	
IC	22	GRN	---	PI-16	4	---	J1-3	SOLDER	SERIAL IN	
IC	22	RED	---	PI-17	4	---	J1-2	SOLDER	SERIAL OUT	
IC	22	WHT	---	PI-19	4	---	J1-24	SOLDER	F CON FST	

NUMBER	VARIATION	
	DIM X	DIM Y PRECUT
7016922-00	4 FT 9 IN ± 1/2 IN	5 FT. REF

- NOTES:
- EACH SOLDERED CONNECTION ON P2 SHALL BE INSULATED WITH A .25 IN LG PIECE OF SHRINK TUBING (ITEM 5).
 - FOR STRAIN RELIEF WRAP 5 TURNS OF TAPE (ITEM 6) AROUND WIRE ITEMS 11-13 AS SHOWN.
 -
 - PLACE LOCKWASHER (SUPPLIED WITH ITEM 11) BETWEEN SPACER AND CONNECTOR FLANGE. DISCARD NUT (QTY 2) SUPPLIED WITH ITEM 11.
 - END OF JACKET SHALL BE PROTECTED WITH 1.0 IN OF SHRINK TUBE AS SHOWN.



CAUTION: SEE OFF SHEET PARTS LIST K-PL-7016922-0-DBP. (233598, PLS)

DESCRIPTION	DWG. PART NO.	ITEM NO.
LABEL THIS END UP	A-PS-361713-0-0	15
LABEL, CABLE IDENT	A-PS-3616073-0-0	14
TUBING, SHRINK .250 DIA	9107253-09	13
PLATE, CONN MTG	B-MD-7414072-0-0	12
SCREW LOCK ASEY	9008951-00	11
CABLE, 4 COND UNSHIELDED	9107706-00	10
WASHER, LOCK	9006688-00	9
SCR, PHIL PAN HD #4-40 X .25	9008301-01	8
SPACER, HEX, 4-40 X 2.750 LG	9000033-09	7
TAPE, DOUBLE SIDED .50 WIDE	9007834-00	6
TUBING, HEAT SHRINK .12 DIA	9107255-09	5
CONTACT CRIMP	1217100-09	4
CONN, 20 POS HSG	1217039-01	3
HOOD, CONN	1212516-00	2
CONN, PLUG FILTERED	1214081-03	1

THIRD ANGLE PROJECTION	DRN: 11/75	FIRST USED ON: 11/750
REMOVE BURRS AND BREAK SHARP CORNERS	CHK'D: [Signature]	DATE: 11/75
DO NOT SCALE DWG	ENGR: [Signature]	TITLE: FILTERED CABLE ASSY (CONSOLE)
MATERIAL SEE PARTS LIST	PROD: [Signature]	SIZE: D
FINISH	NEXT HIGHER ASSY:	NUMBER: 7016922-0-1
		REV: B

REV	DATE	BY	APP	DESCRIPTION
1	11/75	[Signature]	[Signature]	INITIAL RELEASE

LINE	ITEM	TOP DOCUMENT	PART NUMBER	MIN REV	DESCRIPTION	QTY	PER VARIATION
					VARIATION REVISION LEVEL:	00	00
1	1		7017261-02		FILTER ADAPTER ASSEMBLY	1	
2	2		1700352-01		CABLE ASSY, CONSOLE 4COND 22AWG W	1	
3	3		3616073-00		LABEL, ID W/COPY VERTICAL	1	

REVISION HISTORY			BASIC PART NO: 7016922		
ENG	ECO NUMBER	REV	SECTION A OF A	DRN: H.DARAKJIAN	DATE: 16-FEB-84
	INITIAL	C	SECTION VARIATION INDEX (A)00	CHK'D: T.MCCULLOUGH	DATE: 16-FEB-84
			(B)	DES.ENG: R.CIESLUK	DATE: 16-FEB-84
			(C)	RESP.ENG.: R.CIESLUK	DATE: 16-FEB-84
			(D)	MFG.ENG.: BOB SMITH	DATE: 16-FEB-84
			(E)		
			(F)		
			ASSEMBLY NUMBER: D-AD-7016922-0-0	TOP DOCUMENT NUMBER: E-AD-7016707-0-0	FILE NAME: Z3359C.PLS
					RELEASE DATE: 07-JUN-84
					DOCUMENT NUMBER: K PL 7016922-0-DBP
					SIZE: CODE: NUMBER: REV: C
					EDIT #: 3

"THIS DRAWING AND THE SPECIFICATIONS CONTAINED HEREIN ARE CONFIDENTIAL AND PROPRIETARY. THEY ARE THE PROPERTY OF DIGITAL EQUIPMENT CORPORATION AND SHALL NOT BE REPRODUCED OR COPIED OR USED IN WHOLE OR IN PART AS THE BASIS FOR THE MANUFACTURE OR SALE OF ITEMS WITHOUT WRITTEN PERMISSION. THIS IS AN UNPUBLISHED WORK PROTECTED UNDER THE FEDERAL COPYRIGHT LAWS."

AUTOMATED BY PRTLST.4Q(50)

PARTS LIST

SHEET A1 OF A1

LINE	ITEM	DOCUMENT NUMBER	PART NUMBER	DESCRIPTION	QUANTITY PER VARIATION
					00
1	1	B-TC-H7104-C-1	MP01020-00	F.M.P.S. H7104-C	1
2	2	B-TC-H7104-D-1	MP01021-00	H7104D 50 PWR SUPPLY	1
3	3	B-TC-875-0-1	MP01022-00	875 CONTROLLER	1
4	4	B-TC-M8750-0-1	MP01398-00	F.M.P.S. MOS MEMORY ARRAY (M8750	1
5	5	B-TC-KA750-0-2	MP01024-00	F.M.P.S. KA750 FIELD MAINTAIN E	1
6	6		EKS1750-IN		1
7	7	B-TC-L0016-0-1	MP01404-00	F.M.P.S. (L0016)	1
8	8	B-TC-11750-F-1	MP01377-00	F.M.P.S. 11/750-F	1

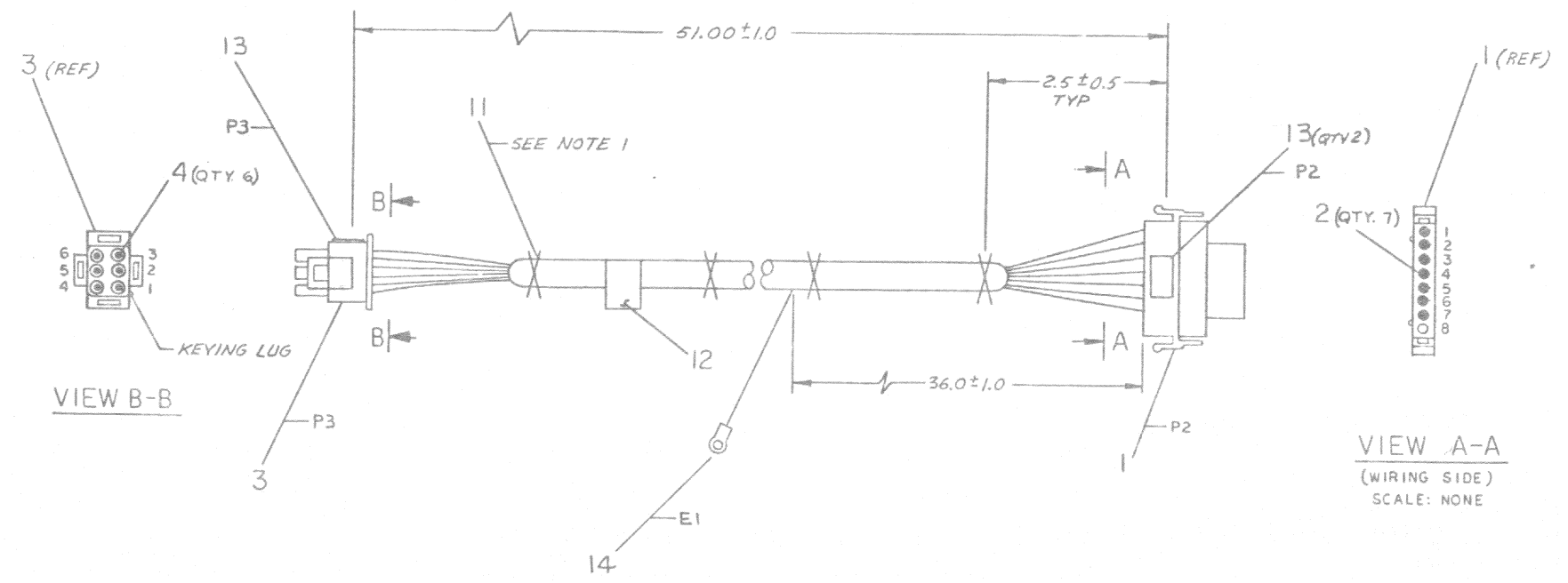
REVISION HISTORY			BASIC PART NO: 7019606			DRN: R.J. RILEY			DATE: 20-JUL-83			D I G I T A L		
ENG:	ECO NUMBER	REV	SECTION A OF A	CHK'D:	R.J. RILEY	DATE:	20-JUL-83	TITLE			PARTS LIST			
	INITIAL	A	SECTION. VARIATION INDEX					SHIP LIST 11750-F						
			[A] 00					DOCUMENT NUMBER						
			[B]	DES.ENG.:	S.FOOTE	DATE:	20-JUL-83	SIZE CODE NUMBER			REV			
			[C]	RESP.ENG.:	S. FOOTE	DATE:	20-JUL-83	K	PL	7019606-0-DBP	A			
			[D]	MFG.ENG.:	R. SMITH	DATE:	20-JUL-83	TOP DOCUMENT NUMBER:			FILE NAME:			
			[E]	ASSEMBLY NUMBER:							Z5496A.PLS			
			[F]								EDIT #			
											8			
<p>"THIS DRAWING AND SPECIFICATIONS HEREIN, ARE THE PROPERTY OF DIGITAL EQUIPMENT CORPORATION AND SHALL NOT BE REPRODUCED OR COPIED OR USED IN WHOLE OR IN PART AS THE BASIS FOR THE MANUFACTURE OR SALE OF ITEMS WITHOUT WRITTEN PERMISSION. COPYRIGHT (C) 1983. DIGITAL EQUIPMENT CORPORATION "</p>														

THIS DRAWING AND SPECIFICATIONS HEREAFTER ARE THE PROPERTY OF DIGITAL EQUIPMENT CORPORATION AND SHALL NOT BE REPRODUCED OR COPIED OR USED IN WHOLE OR IN PART AS THE BASIS FOR THE MANUFACTURE OR SALE OF ITEMS WITHOUT WRITTEN PERMISSION.
 EQUIPMENT © 1973, DIGITAL EQUIPMENT CORPORATION

0-0-0069102 V1 d 2

ITEM NO.	AWG	COLOR	FROM		TO		REFERENCE
			CONN	WITH	CONN	WITH	
5	18	BRN	P3-1	ITEM 4	P2-5	ITEM 2	POWER OK
6	18	RED	P3-2	ITEM 4	P2-6	ITEM 2	CONSOLE LIGHT
7	18	ORJ	P3-3	ITEM 4	P2-4	ITEM 2	PWR SUPPLY
8	18	YEL	P3-4	ITEM 4	P2-3	ITEM 2	REMOTE DISABLE
9	18	GRN	P3-5	ITEM 4	P2-2	ITEM 2	BBU
10	18	BLU	P3-6	ITEM 4	P2-1	ITEM 2	REMOTE DISABLE
14	14	BLK	E1	ITEM 15	P2-7	ITEM 2	GROUND

NOTES:
 1. ATTACH CABLE TIE APPROXIMATELY EVERY 4 INCHES.



ITEM NO.	DESCRIPTION	DWG. PART NO.	ITEM NO.
1	TERMINAL, RING	9007328-00	15
46	WIRE, 14 AWG STRD BLK	9107787-00	14
2	LABEL, PWR CON	A-DC-7909872-2-0	13
1	LABEL, CABLE IDENT	A-PS-3616073-0-0	12
A/R	TIE, CABLE	9007031-00	11
52	WIRE, 18 AWG STRD BLU	9107360-66	10
52	WIRE, 18 AWG STRD GRN	9107360-55	9
52	WIRE, 18 AWG STRD YEL	9107360-44	8
52	WIRE, 18 AWG STRD ORN	9107360-33	7
52	WIRE, 18 AWG STRD RED	9107360-22	6
52	WIRE, 18 AWG STRD BRN	9107360-11	5
6	PIN, MATE-N-LOCK, 14-20 AWG	1212169-00	4
1	HOUSING, MATE-N-LOCK, 6 PIN	1212167-06	3
7	PIN, MATE-N-LOCK, 20-14 AWG	1209378-00	2
1	HOUSING, MATE-N-LOCK, 8 PIN	1209340-01	1

UNLESS OTHERWISE SPECIFIED DIMENSIONS ARE IN INCHES		CLASS OF FINISH		MINIMAL DIMENSION RANGE INCHES	
ANGLES	±.005	OVER 0	0.25	1.2	4.0
±.005	±.005	1.2	4.0	12.0	40.0
SURFACE QUALITY	IN	CHECK G. 1	0.2	1.2	4.0
±.004	±.008	±.012	±.016	±.020	±.024
±.004	±.008	±.012	±.016	±.020	±.024

THIRD ANGLE PROJECTION

REMOVE BURRS AND BREAK SHARP CORNERS

DO NOT SCALE DWG

MATERIAL: SEE PARTS LIST

FINISH: ++

DRAWN: [Signature] 11/750

CHK'D: [Signature] 11/750

ENG: [Signature] 11/750

PROJ. ENG. [Signature] 11/750

PROD. [Signature] 11/750

NEXT HIGHER ASSY.

TITLE: CONSOLE POWER CABLE ASSY

SIZE CODE: D

NUMBER: IA 7016930-0-0

REV. B

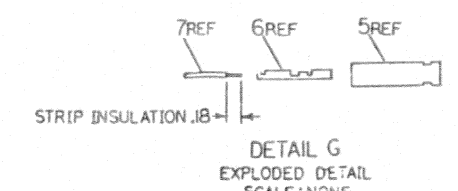
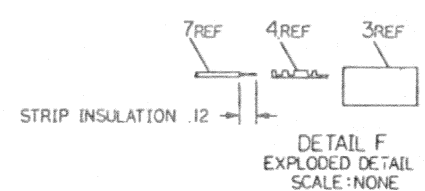
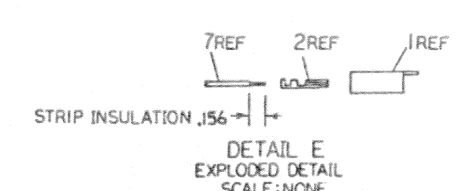
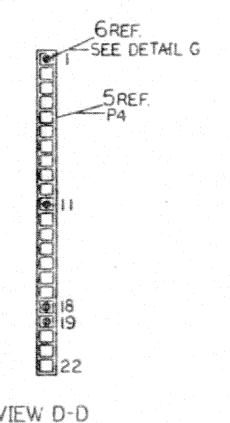
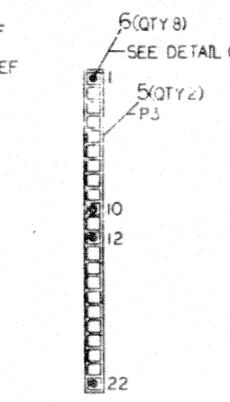
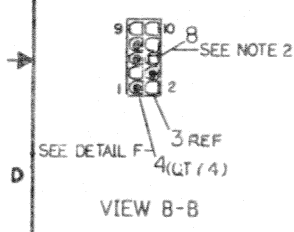
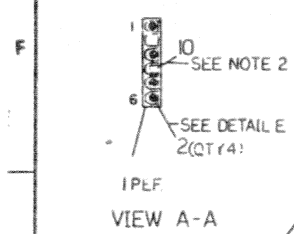
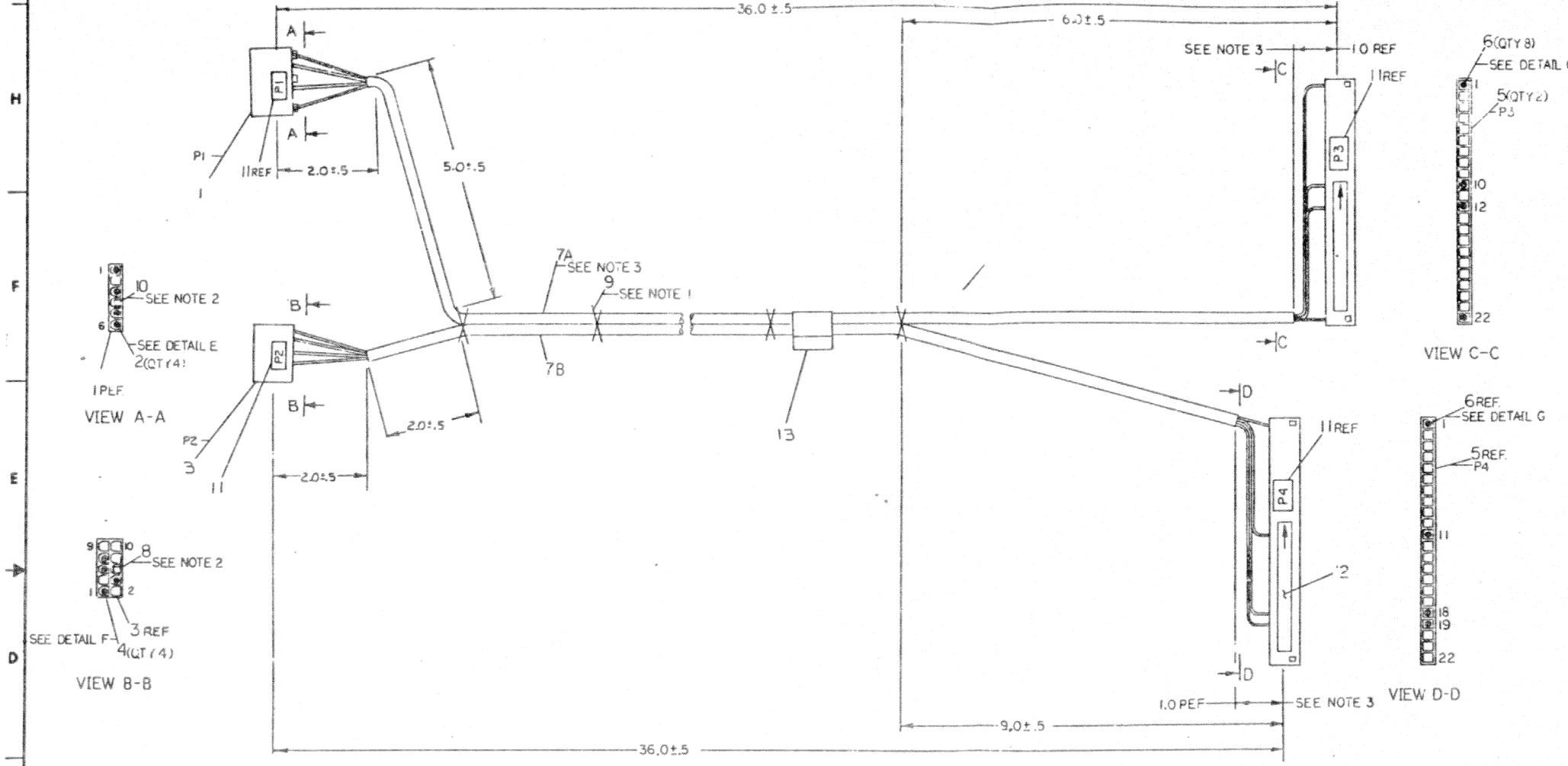
SHEET 1 OF 1

DIST.

REV.	CHANGE NO.	DATE	BY	CHK'D
A	1	11/750	[Signature]	[Signature]
B	1	11/750	[Signature]	[Signature]

DEC FORM NO. 100-4

WIRE TABLE						
ITEM NO	DESCRIPTION	FROM	TO	PRECUT LENGTH	REFERENCE	
	AWG	COLOR	CONN WITH	CONN WITH		
7A	22	RED	P1-1 ITEM 2	P3-1 ITEM 6	38.0	+12V
		BLK	P1-3	P3-12	37.0	GND
		GRN	P1-5	P3-10	37.0	+5.0V
7A		WHT	P1-6	P3-22	36.0	GND
7B		BLK	P2-1	P4-1	36.0	GND
		RED	P2-4	P4-8	38.0	RECEIVE & TU-58 OUT
		WHT	P2-5	P4-11	37.0	GND
7B	22	GRN	P2-7 ITEM 4	P4-19 ITEM 6	38.0	TRANSMIT & TU-58 IN



- NOTES:
- 1 USE TIE WRAPS (ITEM 9) APPROX EVERY SIX (6) INCHES WHEN NECESSARY.
 - 2 CONNECTORS P2-6 & P1-4 (ITEMS 3 & 1) SHALL EACH HAVE ONE KEY (ITEM 8) FOR P2-6 & (ITEM 10) FOR P1-4 AS SHOWN.
 - 3 CUT BOTH CABLES (7A & 7B) ITEM 7 TO 38.0 ± .5. STRIP BACK OUTER SHEATH .20 IN AS SHOWN ON ONE END. ON OPPOSITE END STRIP BACK SHEATH .30" AND CUT BACK WIRES TO OVERALL (PRECUT) LENGTHS SHOWN ON WIRE TABLE.

ITEM NO	DESCRIPTION	QTY	REF
1	LABEL ID	3616073-00	13
2	LABEL, THIS END UP	3617173-00	12
4	LABEL	3609873-00	11
1	KEYING PLUG	126113-00	10
4	TIE CABLE	9007880-00	9
1	KEYING PLUG	126418-00	8
7A	CABLE, 4 COND 22 AWG	940705-00	7
8	CONTACT	121700-00	6
2	HOUSING, CONN (22 PIN) P3-P4	1217099-00	5
4	PIN CRIMP	124267-00	4
1	HOUSING, CONN (6 POS) (P2)	124268-02	3
4	PIN CRIMP TYPE	1212203-00	2
1	HOUSING, CONN (6 POS) (P1)	1212202-09	1

UNLESS OTHERWISE SPECIFIED DIMENSIONS ARE IN INCHES

DATE: 11/75

TU-58 CABLE ASSY

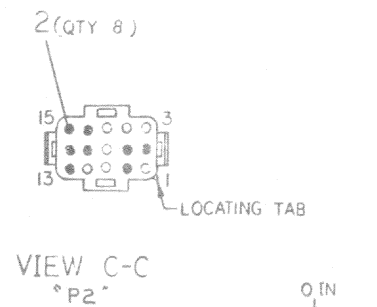
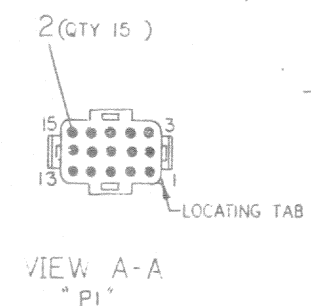
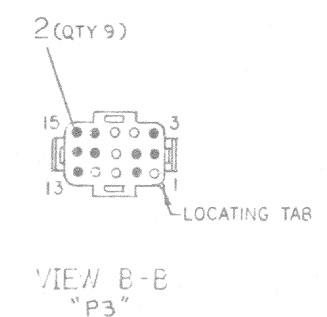
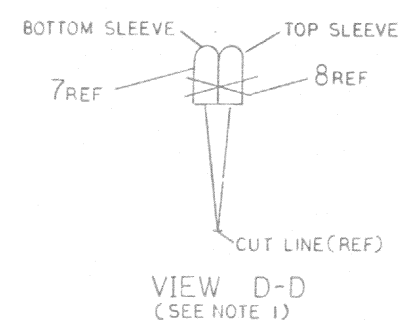
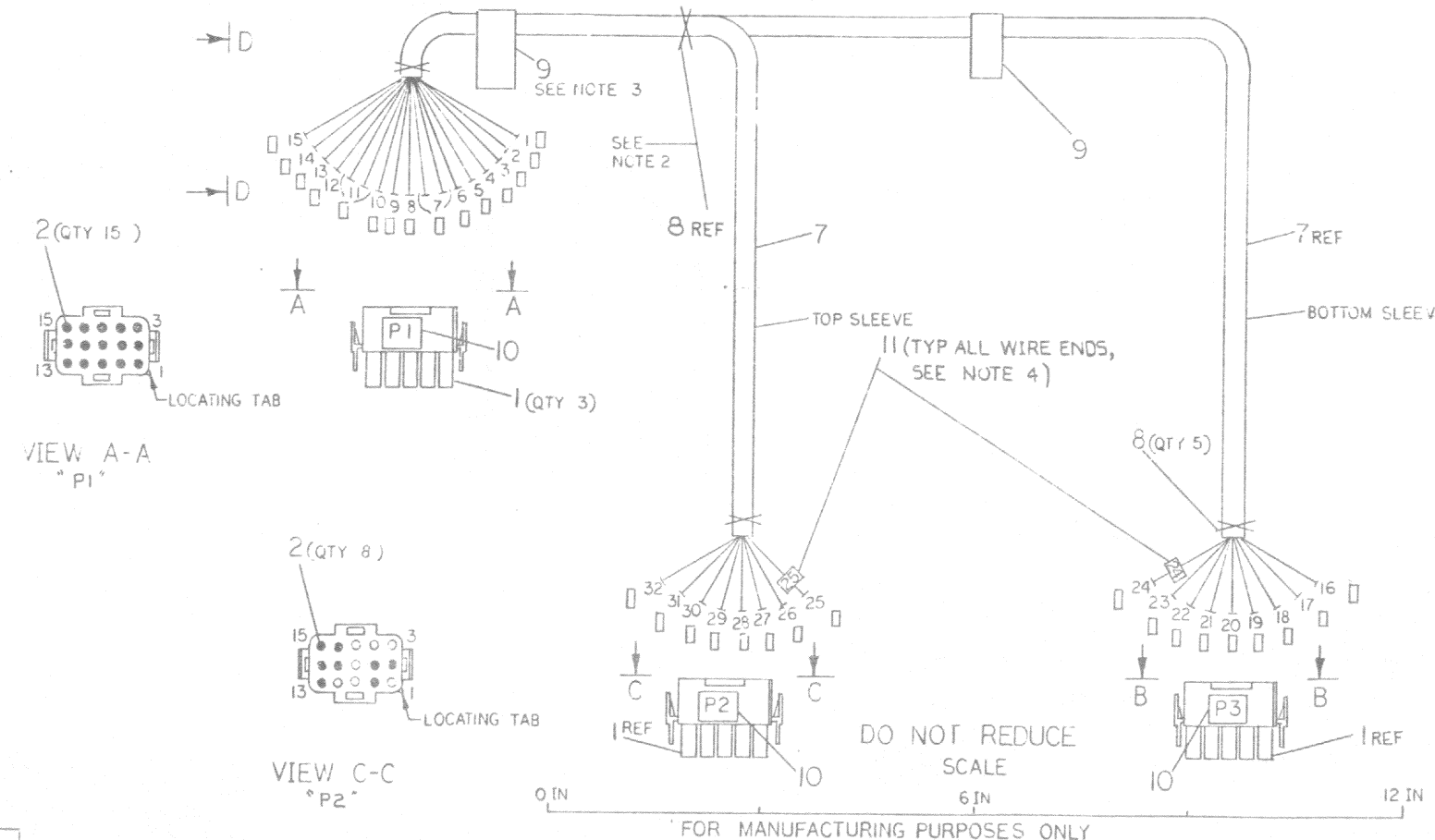
SCALE: NONE

7016931-0-0

ALL DIMENSIONS AND SPECIFICATIONS HEREIN ARE THE PROPERTY OF DIGITAL EQUIPMENT CORPORATION AND SHALL NOT BE REPRODUCED OR COPIED OR USED IN WHOLE OR IN PART AS THE BASIS FOR THE MANUFACTURE OR SALE OF ITEMS WITHOUT WRITTEN PERMISSION.
 1979 DIGITAL EQUIPMENT CORPORATION

ITEM NO	AWG	COLOR	POINT	FRON CONNECTION	TERM	POINT	TO CONNECTION	TERM	PRECUT LENGTH
3	14	BRN	1	P1-1	2	16	P3-2	2	22.25 ± 0.01 IN
			2	P1-2		17	P3-3		22.25
			3	P1-3		18	P3-4		22.25
			4	P1-4		25	P2-2		15.25
3	14	BRN	5	P1-5		26	P2-4		15.25
5	14	ELU	6	P1-6		22	P3-13		22.25
6	16		7	P1-7		31	P2-14		15.25
6	16					23	P3-14		22.25
5	14		8	P1-8		24	P3-15		22.25
5	14		9	P1-9		30	P2-13		15.25
5	14		10	P1-10		32	P2-15		15.25
6	16					28	P2-11		15.25
6	16	BLU	11	P1-11		20	P3-11		22.25
4	14	WHT	12	P1-12		21	P3-12		22.25
4	14	WHT	13	P1-13		29	P2-12		15.25
3	14	BRN	14	P1-14		19	P3-5		22.25
3	14	BRN	15	P1-15	2	27	P2-5	2	15.25 ± 0.01 IN

- NOTES:
- ALL 22.25 INCH WIRES ARE TO BE ROUTED THROUGH TUBING (BOTTOM SLEEVE, ITEM 7) PRIOR TO ASSY TO CONN P1. REMAINING WIRES ARE TO BE ROUTED LIKEWISE TO CONN P2 THROUGH TOP SLEEVE.
 - CABLE TIES BUNDLE TOP & BOTTOM SLEEVES.
 - MARK ITEM 9 "CONTROLLER PLUG" AND LOCATE APPROX 2 INCHES FROM P1.
 - APPLY WIRE MARKERS TO EACH WIRE AS NUMBERED.



CAUTION: OFF SHEET PARTS LIST
 SEE B-PL-7016153-0-0

DESCRIPTION	DRAWING NO.	PART NO.	ITEM NO.
UNLESS OTHERWISE SPECIFIED DIMENSIONS ARE IN INCHES AND THE FOLLOWING TOLERANCES APPLY (PER DEC STD 114)			
INCHES TOLERANCES	ANGLES ± 30°	APPLICABLE DIMENSION RANGE	
X ± .1	SURFACE QUALITY (CHECK ONE)	OVER 0 TO 0.2	OVER 0.2 TO 0.4
XX ± .02		OVER 0.4 TO 1.2	OVER 1.2 TO 4.0
XXX ± .005		OVER 4.0 TO 12.0	OVER 12.0 TO 40.0
QUANTITY & VARIATION	THIRD ANGLE PROJECTION	DATE	TITLE
		B. BLODGET 12/FEB/80	digital
DO NOT SCALE DRAWING	REMOVE BURRS AND BREAK SHARP CORNERS	DATE	AC HARNESS
		K. KNOWLES 12/FEB/80	
MATERIAL		DATE	DOCUMENT NUMBER
SEE PARTS LIST		J. B. DAVIS JR. 12/FEB/80	
		R. MARTEL 12/FEB/80	
FINISH		DATE	SCALE
		C. BESSETT 12/FEB/80	1/1
		E-UA-7016107-0-0	SHEET 1 OF 1

REVISION HISTORY	REV	DATE	DESCRIPTION
	1		

DIGITAL EQUIPMENT CORPORATION PARTS LIST

MADE BY B. Blodgett DATE 12/FEB/80	CHECKED J SULLIVAN DATE 12/FEB/80	SECTION //
ENG R MARTEL DATE 12/FEB/80	PROD C BESSETT DATE 12/FEB/80	ISSUED SECTION //

QUANTITY / VARIATION

NOTES:

ITEM NO.	DRAWING NO.	PART NO.	DESCRIPTION
1	A-DC-7409872-0-0	1212167-05	CONN. UNIV HOUS 15 PIN
2		1212170-00	SOCKET, UNIV 14-20 AWG
3		9107370-11	WIRE, 14 AWG STRD (BRN)
4		9107370-99	WIRE, 14 AWG STRD (WHT)
5		9107370-66	WIRE, 14 AWG STRD (BLU)
6		9107360-66	WIRE, 18AWG STRD (BLU)
7		9107246-00	TUBING, .50" EXTRUDED (BLK)
8		9007031-00	CABLE TIE
9		3616073-00	LABEL, CABLE IDENT.
10		7409872-02	POWER HARNESS, DECAL
11		9008356-01	MARKERS, WIRE #1-#48

7016158-00

SYMBOL

REF DESIGNATION

E.C.O. NO.

THIS DRAWING AND SPECIFICATIONS, HEREIN, ARE THE PROPERTY OF DIGITAL EQUIPMENT CORPORATION AND SHALL NOT BE REPRODUCED OR COPIED OR USED IN WHOLE OR IN PART AS THE BASIS FOR THE MANUFACTURE OR SALE OF ITEMS WITHOUT WRITTEN PERMISSION. COPYRIGHT © DIGITAL EQUIPMENT CORPORATION

TITLE

AC HARNESS

ASSY NO.

D-IA-7016153-0-0

SIZE

B

CODE

PL

NUMBER

7016153-0-0

REV.

*

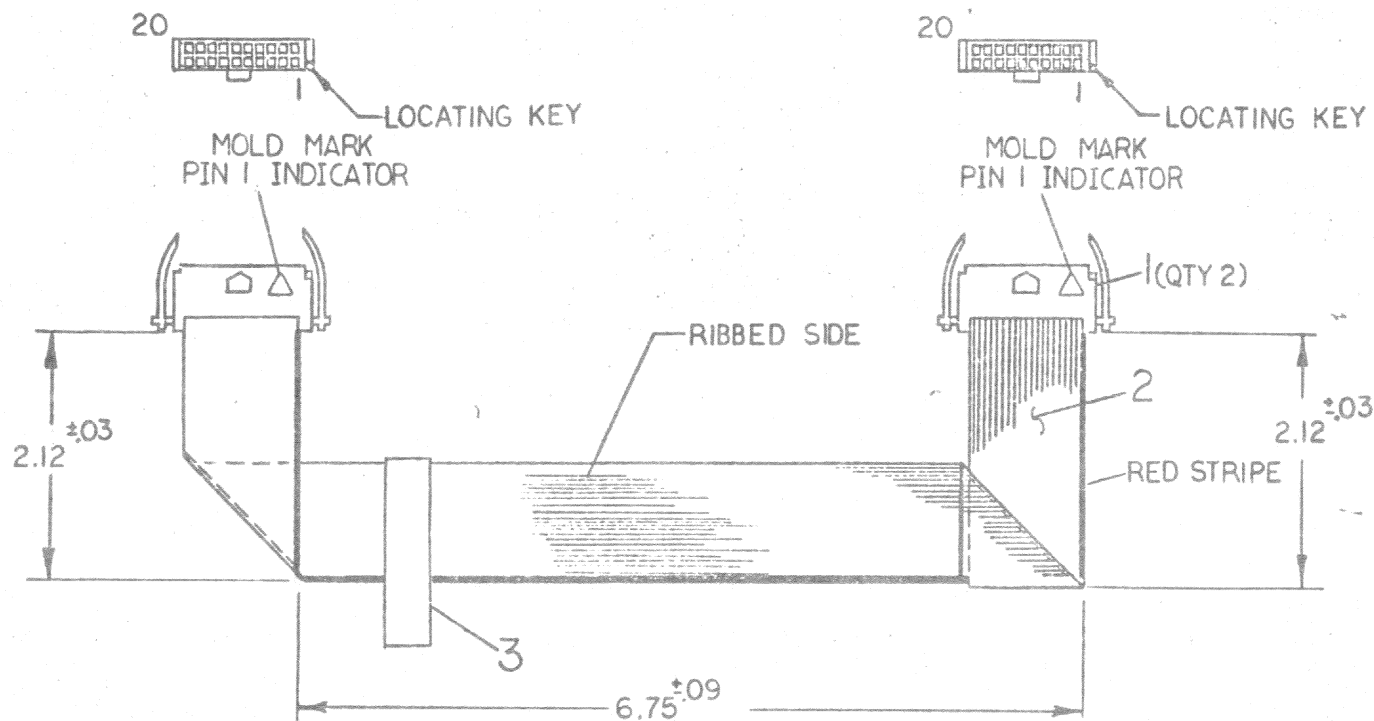
SHEET 1 OF 1

INSERTION PARTS LIST DATA BASE REV

DRB 128

TW

THIS DRAWING AND SPECIFICATIONS, HEREIN, ARE THE PROPERTY OF DIGITAL EQUIPMENT CORPORATION AND SHALL NOT BE REPRODUCED OR COPIED OR USED IN WHOLE OR IN PART AS THE BASIS FOR THE MANUFACTURE OR SALE OF ITEMS WITHOUT WRITTEN PERMISSION. COPYRIGHT © 1979 DIGITAL EQUIPMENT CORPORATION



CAUTION: SEE OFF SHEET PARTS LIST
K-PL-7016513-0-DBP, (Z4477D.PLS).

QTY	DESCRIPTION	DWG./PART NO.	ITEM NO.
4	RETAINER CLIP	1217779-03	4
1	LABEL, CABLE IDENT.	8013073-00	3
12.5	20 COND RIBBON CABLE	9107738-08	2
2	20 PIN CONN KIT	1217779-03	1

REV.	CHANGE NO.	REV.
A	7016513-TW001	K. KNOWLES
B	7016513-TW002	K. KNOWLES
C	7016513-TW003	K. KNOWLES
D	7016513-TW004	K. KNOWLES

THIRD ANGLE PROJECTION

REMOVE BURRS AND BREAK SHARP CORNERS

DO NOT SCALE DWG

MATERIAL SEE PARTS LIST

FINISH

DESCRIPTION	DWG./PART NO.	ITEM NO.
UNLESS OTHERWISE SPECIFIED DIMENSIONS ARE IN INCHES		
ANGLES ±0° 30'	CLASS OF ACCURACY (CHECK ONE)	NOMINAL DIMENSIONS IN INCHES
SURFACE QUALITY IN MICRONS	MEDIUM <input type="checkbox"/>	OVER 0 TO 0.2 <input type="checkbox"/>
	PREFERRED <input checked="" type="checkbox"/>	0.2 TO 0.4 <input type="checkbox"/>
		0.4 TO 0.6 <input type="checkbox"/>
		0.6 TO 1.2 <input type="checkbox"/>
		1.2 TO 4.0 <input type="checkbox"/>
		4.0 TO 12.0 <input type="checkbox"/>
		12.0 TO 49.0 <input type="checkbox"/>
		49.0 TO 125.0 <input type="checkbox"/>
		125.0 TO 250.0 <input type="checkbox"/>
		250.0 TO 500.0 <input type="checkbox"/>
		500.0 TO 1000.0 <input type="checkbox"/>

DRN. *K. Knowles* 11/77

CHK'D *J.F.S.* 11/77

ENG. *[Signature]* 11/77

PROJ. ENG. *[Signature]* 11/77

PROD. *[Signature]* 11/77

FIRST USED ON 11/750

TITLE CONTROL CABLE ASSY

SIZE CODE C IA 7016513-C-0

NUMBER 1

REV. D

REFERENCE P-374

DEC FORM NO. 001-100-0

REV. D
C
B
A
C I A 7016513-C-0

TW 1

LINE	ITEM	DOCUMENT NUMBER	PART NUMBER	DESCRIPTION	QUANTITY PER VARIATION
1	1		1217779-03	CONN, IDC RETAINER CLIP	2
2	2		9107738-08	CABLE, RIBBON BOND 20COND 28AWG	A/R
3	3		3616073-00	LABEL, ID W/COPY VERTICAL	1
4	4	BLANK		*** THIS ITEM IS NOT USED ***	-

REVISION HISTORY			BASIC PART NO: 7016513			D I G I T A L			
ENG	ECO NUMBER	REV	SECTION A OF A	DRN:	DATE: 29-MAY-82	TITLE PARTS LIST			
---	INITIAL	D	SECTION. VARIATION INDEX	CHK'D:	T.MCCULLOUGH	DATE: 29-MAY-82	CONTROL CABLE ASSY		
			[A] 00				DOCUMENT NUMBER		
			[B]	DES. ENG.:	K.KNOWLES	DATE: 29-MAY-82	SIZE CODE NUMBER REV		
			[C]				K PL 7016513-0-DBP D		
			[D]	RESP. ENG.:	K.KNOWLES	DATE: 29-MAY-82	E-UA-7016707-0-0 FILE NAME: 24477D.PLS EDIT # 2		
			[E]	MFG. ENG.:	J.WOERNER	DATE: 29-MAY-82			
			[F]	ASSEMBLY NUMBER:	C-IA-7016513-0-0	TOP DOCUMENT NUMBER:			

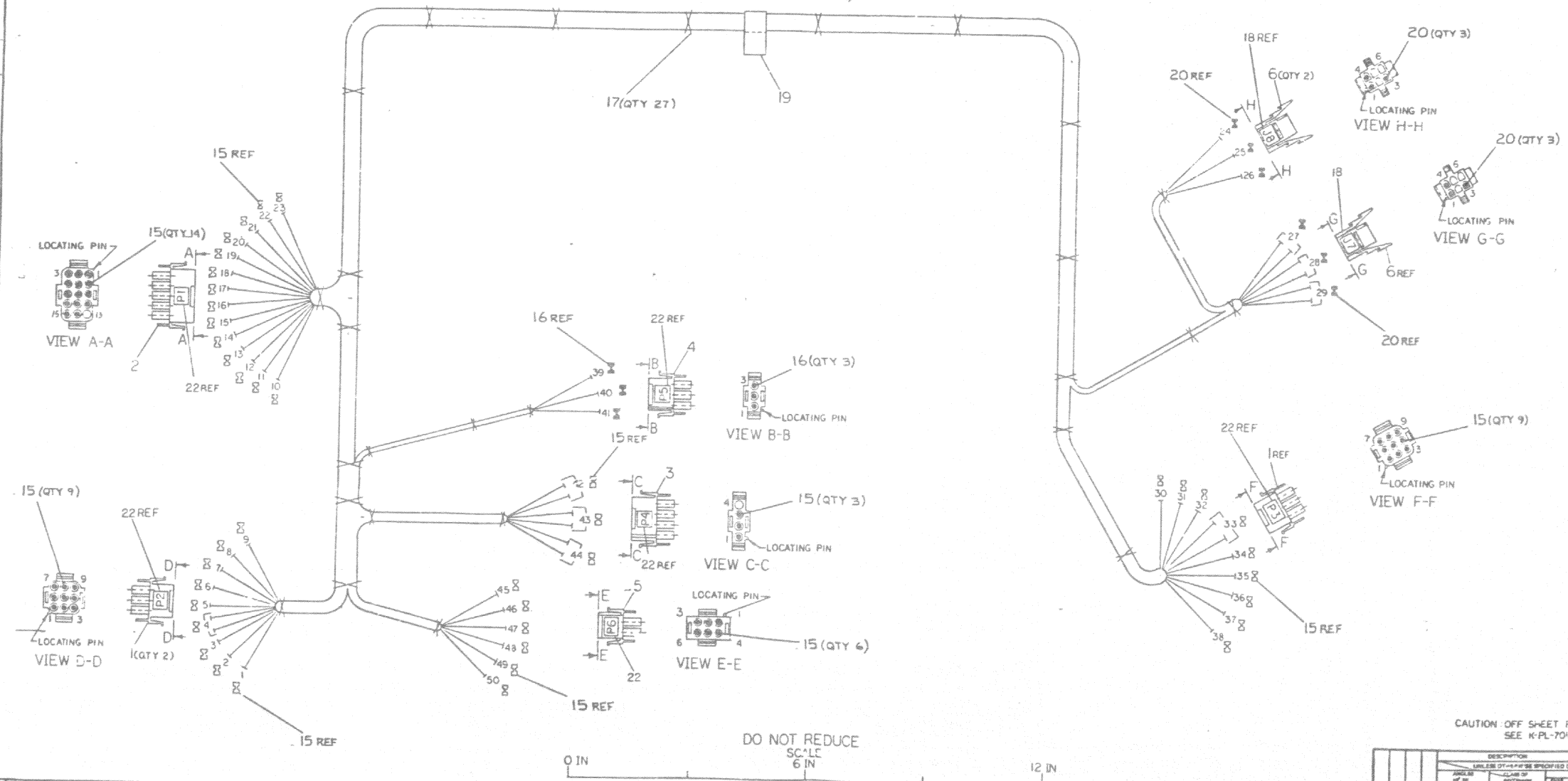
"THIS DRAWING AND SPECIFICATIONS HEREIN, ARE THE PROPERTY OF DIGITAL EQUIPMENT CORPORATION AND SHALL NOT BE REPRODUCED OR COPIED OR USED IN WHOLE OR IN PART AS THE BASIS FOR THE MANUFACTURE OR SALE OF ITEMS WITHOUT WRITTEN PERMISSION. COPYRIGHT (C) 1982. DIGITAL EQUIPMENT CORPORATION"

THIS DRAWING AND INFORMATION HEREON ARE THE PROPERTY OF THE AIR FORCE AND ARE TO BE CONTROLLED AND DISSEMINATED IN ACCORDANCE WITH THE AIR FORCE POLICY ON THE PROTECTION OF INFORMATION. IT IS TO BE CONTAINED IN THE AIR FORCE SECURITY INFORMATION SYSTEM AND IS TO BE CONTAINED IN THE AIR FORCE SECURITY INFORMATION SYSTEM AND IS TO BE CONTAINED IN THE AIR FORCE SECURITY INFORMATION SYSTEM.

ITEM NO.	AWG	COLOR	FROM			TO			PRECUT LENGTH
			POINT	CONNECTION	WITH	POINT	CONNECTION	WITH	
11	14	RED	10	P1-1	15	3	P2-3	15	13.75 ± .5
11	14	RED	11	P1-2	15	32	P3-3	15	45.50
8	14	BLK	12	P1-3	15	6	P2-5	15	14.50
8	14	BLK	13	P1-4	15	35	P3-2	15	45.50
9	14	CRG	14	P1-5	15	7	P2-7	15	14.00
5	14	↑	15	P1-6	15	26	P3-7	15	45.50
9	14	↑	16	P1-7	15	8	P2-8	15	14.50
9	14	CRG	17	P1-8	15	37	P3-8	15	45.50
8	14	BLK	18	P1-9	15	5	P2-6	15	14.00
14	18	BLK	19	P1-10	15	4	P2-2	15	14.00
14	18	↑	43	P4-2	15	33	P3-5	15	53.00
14	18	BLK	20	P1-11	15	34	P3-6	15	45.50
8	14	BLK	21	P1-12	15	34	P3-6	15	45.50
21	14	YEL	22	P1-14	15	38	P3-9	15	45.50 ± .5

ITEM NO.	AWG	COLOR	FROM			TO			PRECUT LENGTH
			POINT	CONNECTION	WITH	POINT	CONNECTION	WITH	
21	14	YEL	23	P1-15	15	9	P2-9	15	13.50 ± .5
7	18	RED	44	P4-1	15	1	P2-1	15	10.50
7	18	RED	44	P4-1	15	30	P3-1	15	52.50
10	18	BLU	42	P4-3	15	2	P2-4	15	10.50
10	18	BLU	42	P4-3	15	31	P3-4	15	52.50
13	18	VIO	41	P5-3	16	50	P6-1	16	13.50
12	18	YEL	40	P5-1	16	48	P6-3	16	13.50
14	18	BLK	39	P5-2	16	49	P6-2	16	13.50
13	18	VIO	47	P6-4	15	15	P2-4	15	52.25
13	18	VIO	24	J8-3	20	27	J7-3	20	7.00
14	18	BLK	46	P6-5	15	15	P2-4	15	52.25
14	18	BLK	26	J8-1	20	29	J7-1	20	7.00
12	18	YEL	45	P6-6	15	15	P2-4	15	52.25
12	18	YEL	25	J8-4	20	28	J7-4	20	7.00 ± .5

NOTES
1. USE TIE WRAPS (X-ITEM #17) APPROX EVERY 3" AND AT EVERY BREAK-OUT POINT.



CAUTION: OFF SHEET PARTS LIST
SEE K-PL-701335-Q-DBP

QUANTITY & VARIATION	DESCRIPTION	DISC. PART NO.	ITEM NO.
1	POWER SIGNAL HARNESS		117750
1	WIRE HARNESS		117750
1	CONNECTOR		117750
1	LOCATING PIN		117750
1	TIE WRAP		117750

DATE: 11/750
SCALE: 1:1
SHEET: 1 OF 1

LINE	ITEM	DOCUMENT NUMBER	PART NUMBER	DESCRIPTION	QUANTITY PER VARIATION
1	1		1212167-04	MATE-N-LOK 9POS UNIV HSG,SKT	2
2	2		1212167-05	MATE-N-LOK 15POS UNIV HSG,SKT	1
3	3		1212167-01	MATE-N-LOK 4POS UNIV HSG,SKT	1
4	4		1212167-00	MATE-N-LOK 3POS UNIV HSG,SKT	1
5	5		1212167-06	MATE-N-LOK 6POS UNIV HSG,SKT	1
6	6		1209350-06	MATE-N-LOK 6POS COMM HSG,SKT	2
7	7		9107360-22	WIRE,STRND,18AWG,IPVC UL1429	A/R
8	8		9107370-09	WIRE,STRND,14AWG,IPVC UL1534	A/R
9	9		9107370-33	WIRE,STRND,14AWG,IPVC UL1534	A/R
10	10		9107360-66	WIRE,STRND,18AWG,IPVC UL1429	A/R
11	11		9107370-22	WIRE,STRND,14AWG,IPVC UL1534	A/R
12	12		9107360-44	WIRE,STRND,18AWG,IPVC UL1429	A/R
13	13		9107360-77	WIRE,STRND,18AWG,IPVC UL1429	A/R
14	14		9107360-00	WIRE,STRND,18AWG,IPVC UL1429	A/R
15	15		1212170-00	MATE-N-LOK SKT UNIV 20-14AWG REE	41
16	16		1213807-01	MATE-N-LOK PIN UNIV 20-14AWG STR	4
17	17		9007031-00	TIE,CABLE BUNDL.DIA 0- 3/4"=101	27
18	18	A-DC-7409873-0-0	7409873-02	DECAL PWR CONN	1
19	19		3616073-00	LABEL,CABLE IDENTIFICATION	1
20	20		1209379-00	MATE-N-LOK SKT COMM 20-14AWG STR	6
21	21		9107370-44	WIRE,STRND,14AWG,IPVC UL1534	A/R
22	22	A-DC-7409872-0-0	7409872-02	DECAL PWR HARNESS [BLK/CLR]	1

```

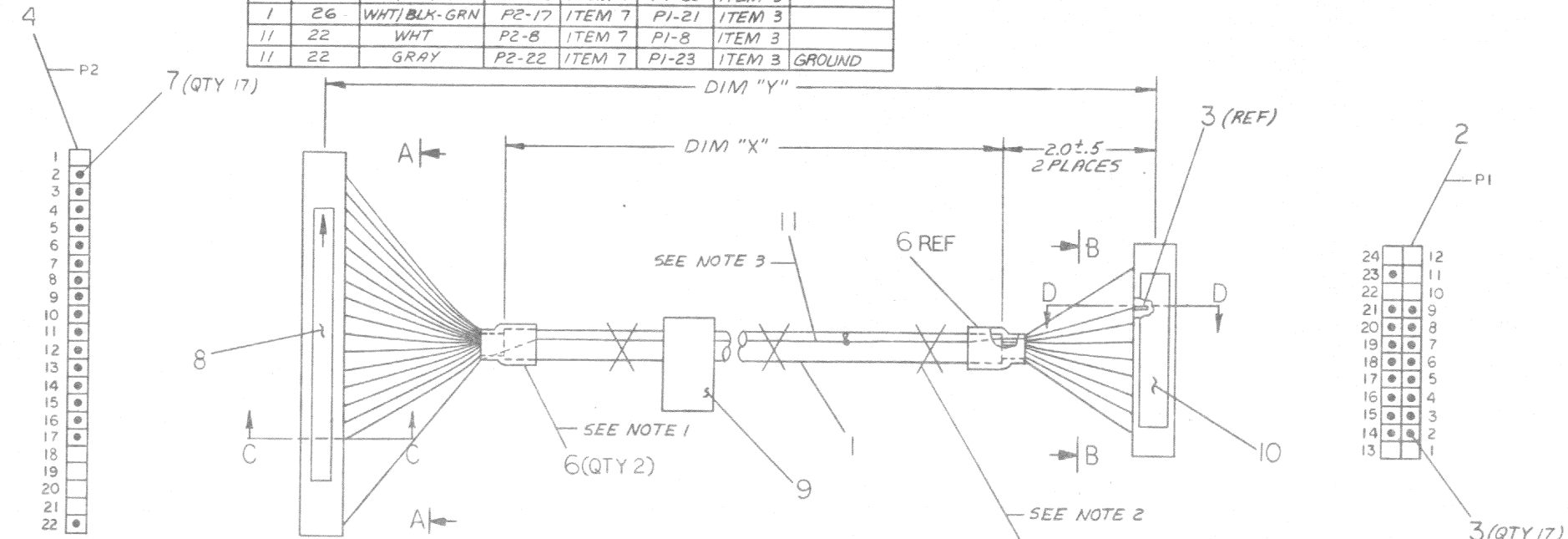
*****
REVISION HISTORY      BASIC PART NO: 7016385
*****
ENG: ECO NUMBER      REV SECTION A OF A      DRN:      T. ROCHA      DATE: 08-NOV-79      D I G I T A L
----- INITIAL      * SECTION. VARIATION INDEX:  CHK'D:      J. SULLIVAN      DATE: 08-NOV-79      TITLE      PARTS LIST
--- INITIAL          * [A] 00      *****      *****      POWER SIGNAL HARNESS
KK 7016385-TW001    A      [B]      DES.ENG.:      K. KNOWLES      DATE: 08-NOV-79
[C]      [D]      RESP.ENG.:      K. KNOWLES      DATE: 08-NOV-79      DOCUMENT NUMBER
[E]      [F]      MFG.ENG.:      J WOERNER      DATE: 08-NOV-79      K PL 7016385-0-DBP      A
ASSEMBLY NUMBER:      TOP DOCUMENT NUMBER:      FILE NAME:      EDIT #
E-IA-7016385-0-0      E-AD-7016707-0-0      Z0589.PLS      7
*****
"THIS DRAWING AND SPECIFICATIONS HEREIN, ARE THE PROPERTY OF DIGITAL EQUIPMENT CORPORATION AND SHALL NOT BE REPRODUCED
OR COPIED OR USED IN WHOLE OR IN PART AS THE BASIS FOR THE MANUFACTURE OR SALE OF ITEMS WITHOUT WRITTEN PERMISSION.
COPYRIGHT (C) 1981. DIGITAL EQUIPMENT CORPORATION "
*****
    
```

THIS DRAWING AND SPECIFICATIONS, HEREIN, ARE THE PROPERTY OF INSTA EQUIPMENT CORPORATION AND SHALL NOT BE REPRODUCED OR COPIED IN WHOLE OR IN PART OR BY ANY MEANS WITHOUT THE WRITTEN PERMISSION OF INSTA EQUIPMENT CORPORATION. COPYRIGHT © 1979.

WIRE TABLE							
ITEM NO.	DESCRIPTION	FROM		TO		REFERENCE	
		CONN	WITH	CONN	WITH		
1	26 WHT/BLK	P2-2	ITEM 7	PI-2	ITEM 3		
1	26 WHT/BRN	P2-3	ITEM 7	PI-3	ITEM 3		
1	26 WHT/RED	P2-4	ITEM 7	PI-4	ITEM 3		
1	26 WHT/ORN	P2-5	ITEM 7	PI-5	ITEM 3		
1	26 WHT/YEL	P2-6	ITEM 7	PI-6	ITEM 3		
1	26 WHT/GRN	P2-7	ITEM 7	PI-7	ITEM 3		
1	26 WHT/BLU	P2-8	ITEM 7	PI-8	ITEM 3		
1	26 WHT/VIO	P2-9	ITEM 7	PI-9	ITEM 3	+5.0V	
1	22 RED	P2-10	ITEM 7	PI-14	ITEM 3		
1	26 WHT/GRY	P2-11	ITEM 7	PI-15	ITEM 3		
1	22 BLK	P2-12	ITEM 7	PI-16	ITEM 3	GROUND	
1	26 WHT/BLK-BRN	P2-13	ITEM 7	PI-17	ITEM 3		
1	26 WHT/BLK-RED	P2-14	ITEM 7	PI-18	ITEM 3		
1	26 WHT/BLK-ORN	P2-15	ITEM 7	PI-19	ITEM 3		
1	26 WHT/BLK-YEL	P2-16	ITEM 7	PI-20	ITEM 3		
1	26 WHT/BLK-GRN	P2-17	ITEM 7	PI-21	ITEM 3		
11	22 WHT	P2-8	ITEM 7	PI-8	ITEM 3		
11	22 GRAY	P2-22	ITEM 7	PI-23	ITEM 3	GROUND	

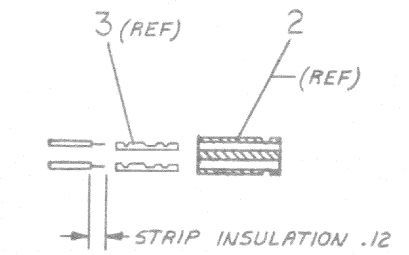
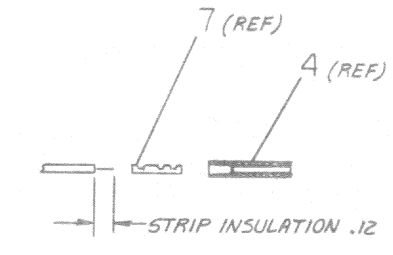
NUMBER	VARIATION	
	DIM "X"	DIM "Y" PRECUT
7016929-00	32.0 ± 1.0 IN	36.0 IN.

- NOTES:
- BOTH ENDS OF CABLE JACKET SHALL BE PROTECTED WITH 1.0 IN. OF SHRINK TUBE (ITEM 6) AS SHOWN.
 - ATTACH CABLE TIE APPROXIMATELY EVERY 4 INCHES.
 - ROUTE TWISTED PAIR WIRE UNDER SHRINK TUBING.



VIEW A-A
(WIRING SIDE)
SCALE: NONE

VIEW B-B
(WIRING SIDE)
SCALE: NONE



CAUTION: SEE OFF SHEET PARTS LIST
K-PL-7016929-0-DBP.
(Z41645 PLS)

ITEM	DESCRIPTION	DWG. PART NO.	ITEM NO.
1	TIE, CABLE	9007031-00	12
36	WIRE STAND, 22 AWG IVPC	9107420-89	11
1	LABEL, THIS SIDE TOWARD	3617173-01	10
1	LABEL, CABLE IDENT	3616075-00	9
1	LABEL, THIS END UP	3617173-00	8
13	CONTACT, CRIMP, 30-34 AWG	1217100-01	7
2	TUBING, SHRINK .375 ID, 2.0	9107252-09	6
4	CONTACT, CRIMP, 24-20 AWG	1217100-00	5
1	CONN. HOUSING, 22 POS	1217099-00	4
17	CONTACT, CRIMP TYP REEL	1210089-07	3
1	TERM. HSG (24 POS)	1210918-25	2
36	CABLE, 16 COND (2) 22, (14) 26 AWG	1700190-00	1

REV.	CHG.	DATE	BY	APP.
1	0	11/75
2	1

THIRD ANGLE PROJECTION	DRG. 11/75	FIRST USED ON 11/75
REMOVE BURRS AND BREAK SHARP CORNERS	CHK'D 11/75	TITLE
DO NOT SCALE DWG	PROJ. ENG. 11/75	CONSOLE SIGNAL CABLE ASSY
MATERIAL SEE PARTS LIST	PROD. 11/75	SIZE CODE D
FINISH	SCALE NONE	NUMBER 1A 7016929-0-0
	SHEET 1 OF 1	REV B

INSTA EQUIPMENT CORPORATION
10000 W. 10th Ave., Denver, CO 80202

AUTOMATED BY PRTLST.3P(44)

PARTS LIST

SHEET A1 OF A1

LINE	ITEM	DOCUMENT NUMBER	PART NUMBER	DESCRIPTION	QUANTITY PER VARIATION
					00
1	1		1700190-00	CABLE, 16 COND. 22AWG(2) 26AWG(1)	36
2	2		1210918-25	CONN,PTS 24POS(2X12).100CC HSG	1
3	3		1210089-07	CONN SOCKET,CRIMP TY	17
4	4		1217099-00	CONN,PTS 22POS(1X22).100CC HSG	1
5	5	BLANK		*** THIS ITEM IS NOT USED ***	-
6	6		9107252-09	TUBING,SHRINK 3/8 DIA.EXP UL	2
7	7		1217100-02	CONTACT,SNAP-IN,26-22AWG	17
8	8		3617173-00	LABEL,"THIS END UP" FOR 11/750	1
9	9		3616773-00	LABEL,ID W/COPY VERTICAL	1
10	10		3617173-01	LABEL,"THIS SIDE TOWARD OPERATOR	1
11	11		9107420-89	WIRE,STRND,22AWG,IPVC (UL1429) T	36
12	12		9007031-00	TIE,CABLE BUNDL.DIA 0- 3/4"=101	A/R

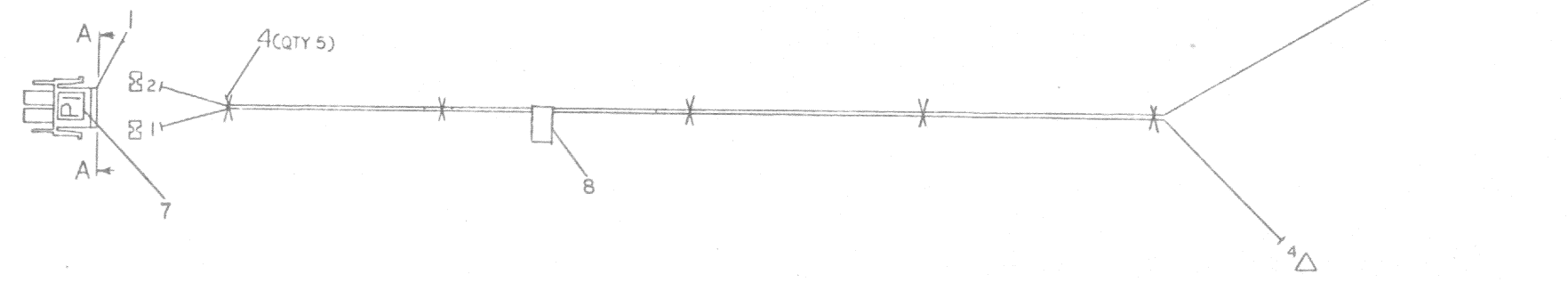
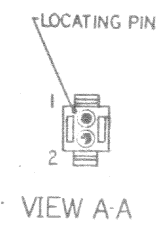
13 NOTE: ITEM NUMBERS 1 AND 11 ARE IN INCHES.

REVISION HISTORY		BASIC PART NO: 7016929		DRN: A. RUSZCZYK	DATE: 19-FEB-82	D I G I T A L	
ENG:	ECO NUMBER	REV	SECTION A OF A	CHK'D: T. MCCULLOUGH	DATE: 19-FEB-82	TITLE PARTS LIST	
	INITIAL	B	SECTION. VARIATION INDEX	DES.ENG.: R. CIESLUK	DATE: 19-FEB-82	CONSULE SIGNAL CABLE ASSY	
			[A] 00	RESP.ENG.: R. CIESLUK	DATE: 19-FEB-82	DOCUMENT NUMBER	
			[B]	MFG.ENG.: J. WOERNER	DATE: 19-FEB-82	SIZE: K	CODE: PL
			[C]	ASSEMBLY NUMBER:	TOP DOCUMENT NUMBER:	NUMBER: 7016929-0-DBP	REV: B
			[D]	D-IA-7016929-0-0	E-UA-7016707-0-0	FILE NAME: Z4164B.PLS	EDIT #: 2
			[E]				
			[F]				

"THIS DRAWING AND SPECIFICATIONS HEREIN, ARE THE PROPERTY OF DIGITAL EQUIPMENT CORPORATION AND SHALL NOT BE REPRODUCED OR COPIED OR USED IN WHOLE OR IN PART AS THE BASIS FOR THE MANUFACTURE OR SALE OF ITEMS WITHOUT WRITTEN PERMISSION. COPYRIGHT (C) 1982. DIGITAL EQUIPMENT CORPORATION"

"THIS DRAWING AND SPECIFICATIONS, HEREIN, ARE THE PROPERTY OF DIGITAL EQUIPMENT CORPORATION AND SHALL NOT BE REPRODUCED OR COPIED OR USED IN WHOLE OR IN PART AS THE BASIS FOR THE MANUFACTURE OR SALE OF ITEMS WITHOUT WRITTEN PERMISSION.
COPYRIGHT © 1979, DIGITAL EQUIPMENT CORPORATION"

WIRE TABLE										
ITEM NO	DESCRIPTION			FROM			TO			PRECUT LENGTH
	AWG	COLOR	POINT	CONNECTION	TERM	POINT	CONNECTION	TERM		
5	18	RED	2	PI-2	2	4		3	12.0 ±1.0 IN	
6	18	BLK	1	PI-1	2	3		3	15.0 ±1.0 IN	



DIA 7016516-0-0

SYMBOL	DESCRIPTION	DWG. PART NO.	ITEM NO.
1	TABLE, CABLE IDENT.	3616073-00	8
1	DECAL, POWER	7409872-2	7
20.5"	WIRE 18 AWG STRD BLK	9107360-00	6
17.25"	WIRE 18 AWG STRD RED	9107360-22	5
X 5	CABLE TIE	9007031-00	4
△ 2	RING TERM #6 RED	9007929-00	3
□ 2	SOCKET UNIV MATE-N-LOK	1212170-03	2
1	2 PIN UNIV HSG MATE-N-LOK	1212167-02	1

THIRD ANGLE PROJECTION		FIRST USED ON	
DRN. J.S.S. 11/75		11/750	
CHK'D J.S.S. 1/21/79		digital	
ENG. J.S.S. 1/21/79		TITLE	
PROJ. ENG. J.S.S. 1/21/79		REMOTE 2.5 SENSE CABLE ASSY	
PROD. J.S.S. 1/21/79		NEXT HIGHER ASSY.	
DO NOT SCALE DWG		MATERIAL	
SEE PARTS LIST		E-UA-7016707-0-0	
FINISH		SCALE	
1/1		DIA 7016516-0-0	
SHEET		NUMBER	
1 OF 1		REV. B	
DIST.		TW	

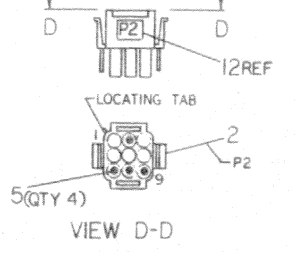
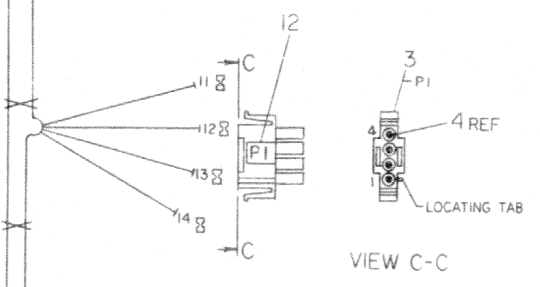
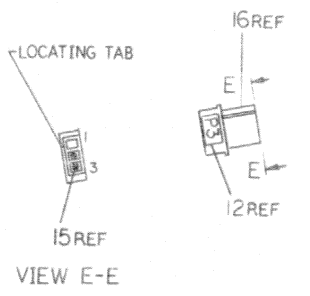
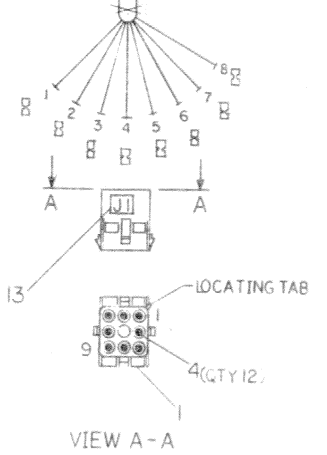
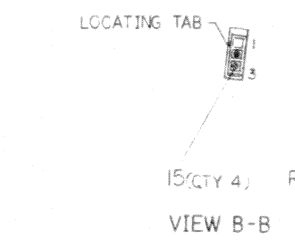
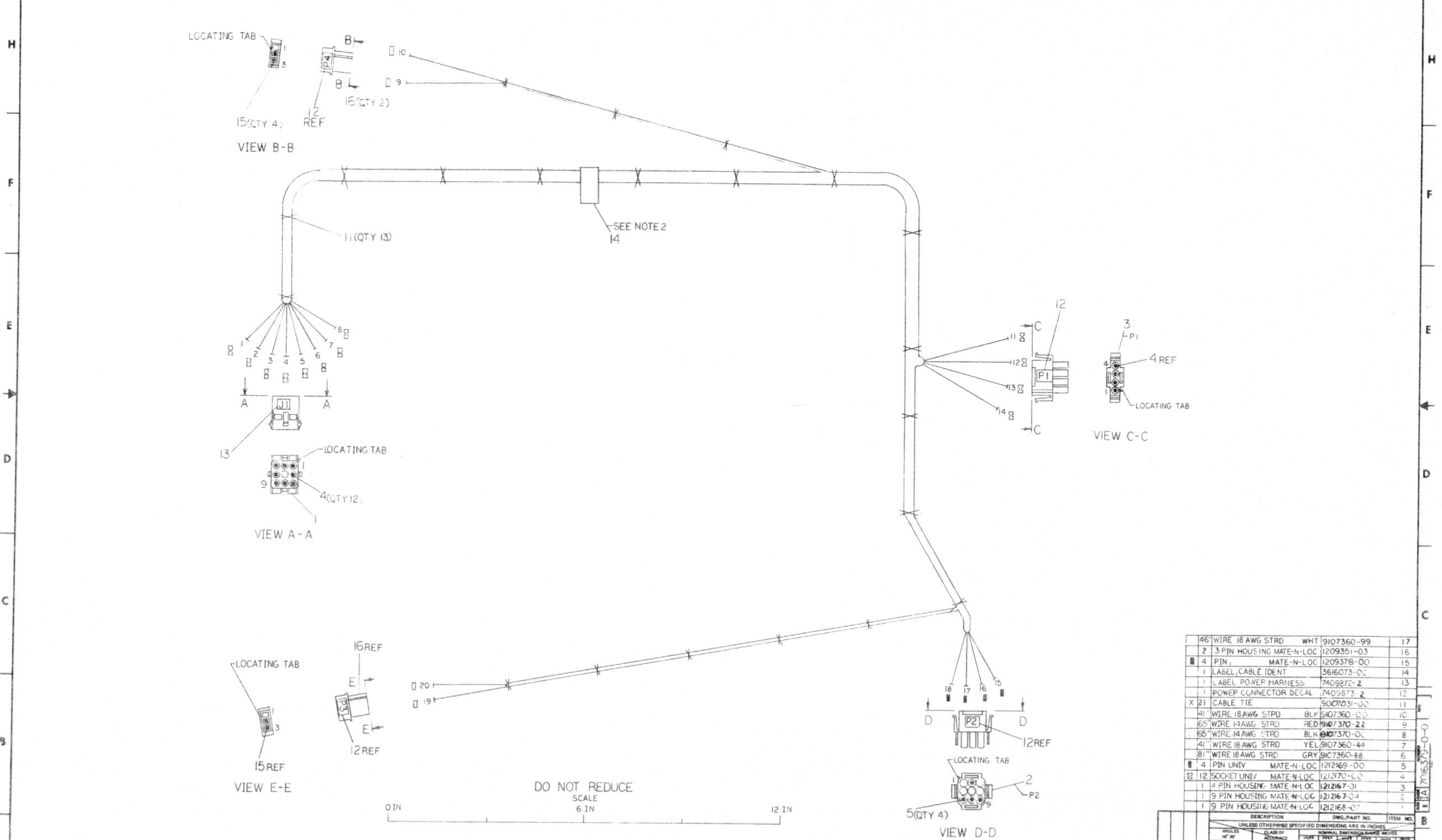
REV.	CHANGE NO.	BY	DATE
1	7016517 TW001	A	1/21/79
2	7016517 TW001	A	1/21/79
3	7016516 TW002	B	1/21/79
4	7016516 TW002	B	1/21/79
5	7016516 TW002	B	1/21/79
6	7016516 TW002	B	1/21/79
7	7016516 TW002	B	1/21/79
8	7016516 TW002	B	1/21/79

DEC FORM NO. 1-64

THIS DRAWING IS PROPERTY OF THE GOVERNMENT AND IS NOT TO BE REPRODUCED OR TRANSMITTED IN ANY FORM OR BY ANY MEANS, ELECTRONIC OR MECHANICAL, INCLUDING PHOTOCOPYING, RECORDING, OR BY ANY INFORMATION STORAGE AND RETRIEVAL SYSTEM, WITHOUT PERMISSION IN WRITING FROM THE GOVERNMENT.

ITEM NO	DESCRIPTION	AWG	COLOR	POINT	WIRE TABLE				PRECUT LENGTH
					FROM CONNECTION	TERM	POINT	TO CONNECTION	
9	14 RED	8	J1-1	4	12	P1-3	4	32.5 IN ± .25 IN	
9	14 RED	7	J1-2	4	11	P1-4	4	32.5	
6	18 GRN	6	J1-3	4	16	P2-3	5	40.25	
7	18 YEL	5	J1-4	4	17	P2-4	5	40.25	
6	18 GRN	4	J1-6	4	6	P2-6	5	40.25	
8	14 BLK	3	J1-7	4	14	P1-1	4	32.5	
8	14 BLK	2	J1-8	4	13	P1-2	4	32.5	
13	18 BLK	2	J1-9	4	5	P2-5	5	40.25	
10	18 BLK	9	P4-3	15	19	P3-3	15	45.50	
17	18 WHT	10	P4-2	15	20	P3-2	15	45.50 IN ± .25	

NOTES:
 1. LOCATE CABLE TIES (ITEM 14) APPROX EVERY 3 INCHES AS SHOWN.
 2. LOCATE CABLE LABEL (ITEM 16) APPROX AS SHOWN.



ITEM NO	DESCRIPTION	QTY	UNIT	PART NO	ITEM NO
46	WIRE 18 AWG STRD WHT	9107360-99		17	
2	3 PIN HOUSING MATE-N-LOC	1209351-03		16	
4	PIN MATE-N-LOC	1209378-00		15	
1	LABEL, CABLE IDENT	3616073-00		14	
1	LABEL POWER HARNESS	7409872-2		13	
1	POWER CONNECTOR DECAL	7409873-2		12	
X 21	CABLE TIE	5007031-00		11	
41	WIRE 18 AWG STRD BLK	9107360-00		10	
65	WIRE 14 AWG STRD RED	9107370-22		9	
66	WIRE 14 AWG STRD BLK	9107370-00		8	
41	WIRE 18 AWG STRD YEL	9107360-44		7	
81	WIRE 18 AWG STRD GRN	9107360-88		6	
4	PIN UNIV MATE-N-LOC	1212169-00		5	
12	SOCKET UNIV MATE-N-LOC	1212170-00		4	
1	4 PIN HOUSING MATE-N-LOC	1212167-01		3	
1	5 PIN HOUSING MATE-N-LOC	1212167-04		2	
1	9 PIN HOUSING MATE-N-LOC	1212168-07		1	

UNLESS OTHERWISE SPECIFIED DIMENSIONS ARE IN INCHES

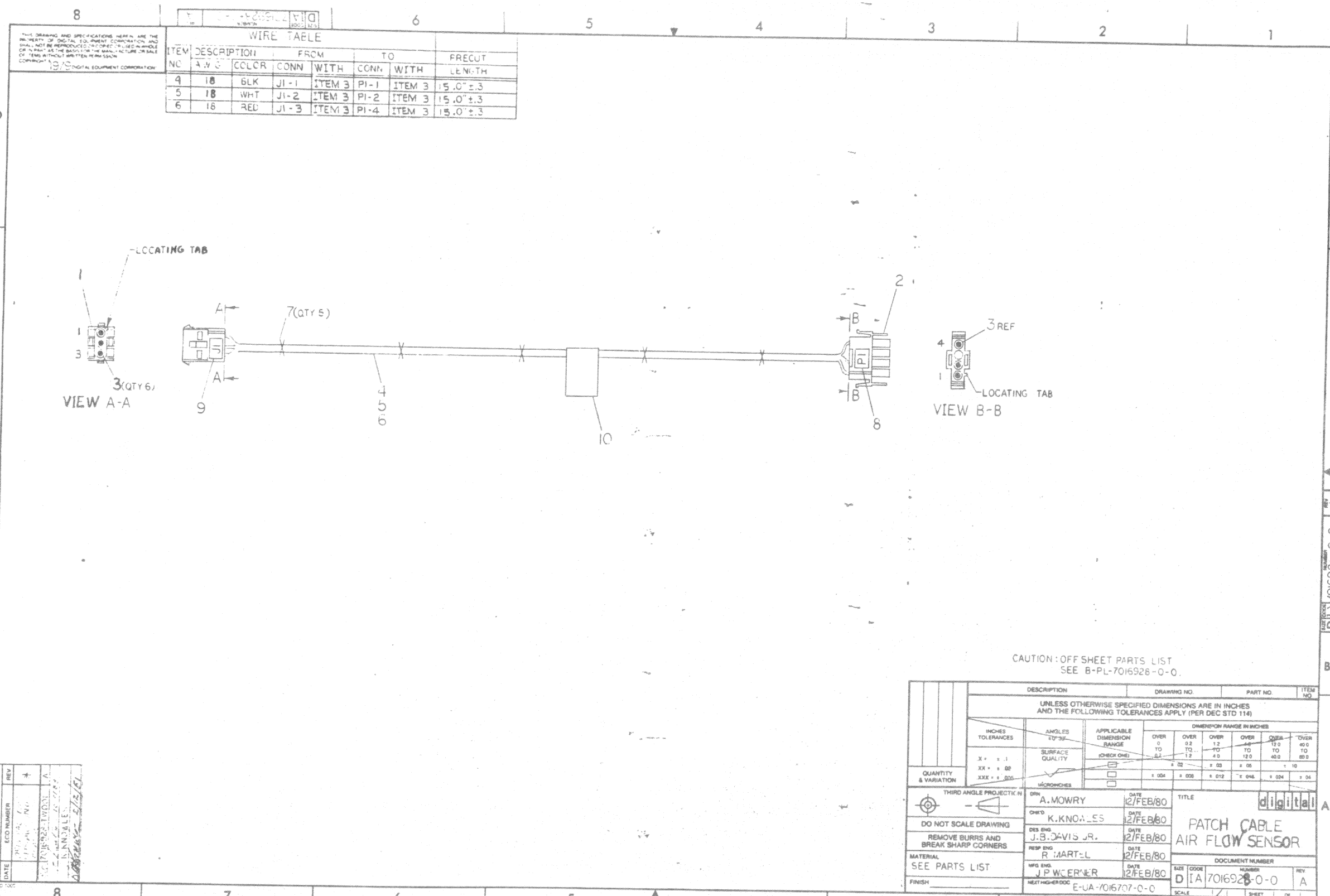
CLASS OF ACCURACY	FR	FA	FB	FC	FD	FE	FF	FG	FH
ANGLES	± 30'	± 15'	± 10'	± 5'	± 3'	± 2'	± 1.5'	± 1'	± 0.5'
SURFACE FINISH	AS MANUFACTURED	AS MANUFACTURED	AS MANUFACTURED	AS MANUFACTURED	AS MANUFACTURED	AS MANUFACTURED	AS MANUFACTURED	AS MANUFACTURED	AS MANUFACTURED
QUALITY	AS MANUFACTURED	AS MANUFACTURED	AS MANUFACTURED	AS MANUFACTURED	AS MANUFACTURED	AS MANUFACTURED	AS MANUFACTURED	AS MANUFACTURED	AS MANUFACTURED

QUANTITY & VARIATION

DESCRIPTION: BATTERY BACK-UP PWR BUS HARNESS

DATE: 1/7/75

REV: 1



DIGITAL EQUIPMENT CORPORATION
PARTS LIST

QUANTITY / VARIATION

NOTES:

MADE BY A. MOWRY DATE 12/FEB/80	CHECKED K. KNOWLES DATE 12/FEB/80	SECTION --
ENG R. MARTEL DATE 12/FEB/80	PROD J. P. WAERNER DATE 12/FEB/80	ISSUED SECTION --

ITEM NO.	DRAWING NO.	PART NO.	DESCRIPTION
----------	-------------	----------	-------------

7016928-00																				
------------	--	--	--	--	--	--	--	--	--	--	--	--	--	--	--	--	--	--	--	--

REF DESIGNATION		
-----------------	--	--

1		1212168-00	3 PIN CONNECTOR MATE-N-LOK	1																
2		1212167-01	4 PIN CONNECTOR MATE-N-LOK	1																
3		1212169-00	PIN UNIVERSAL MATE-N-LOK	6																
4		9107360-00	WIRE 18 AWG STRND IPVC UL1429 BLK	A/R																
5		9107360-99	WIRE 18 AWG STRND IPVC UL1429 WHT	A/R																
6		9107360-22	WIRE 18 AWG STRND IPVC UL1429 RED	A/R																
7		9007031-00	TIE WRAP	5	X															
8	A-DC-7409872-0-0	7409872-02	DECAL, POWER HARNESS	1																
9	A-DC-7409873-0-0	7409873-02	DECAL, POWER CONNECTOR	1																
10		3616073-00	LABEL, CABLE IDENT	1																

E.C.O. NO.

"THIS DRAWING AND SPECIFICATIONS, HEREIN, ARE THE PROPERTY OF DIGITAL EQUIPMENT CORPORATION AND SHALL NOT BE REPRODUCED OR COPIED OR USED IN WHOLE OR IN PART AS THE BASIS FOR THE MANUFACTURE OR SALE OF ITEMS WITHOUT WRITTEN PERMISSION. COPYRIGHT © DIGITAL EQUIPMENT CORPORATION"

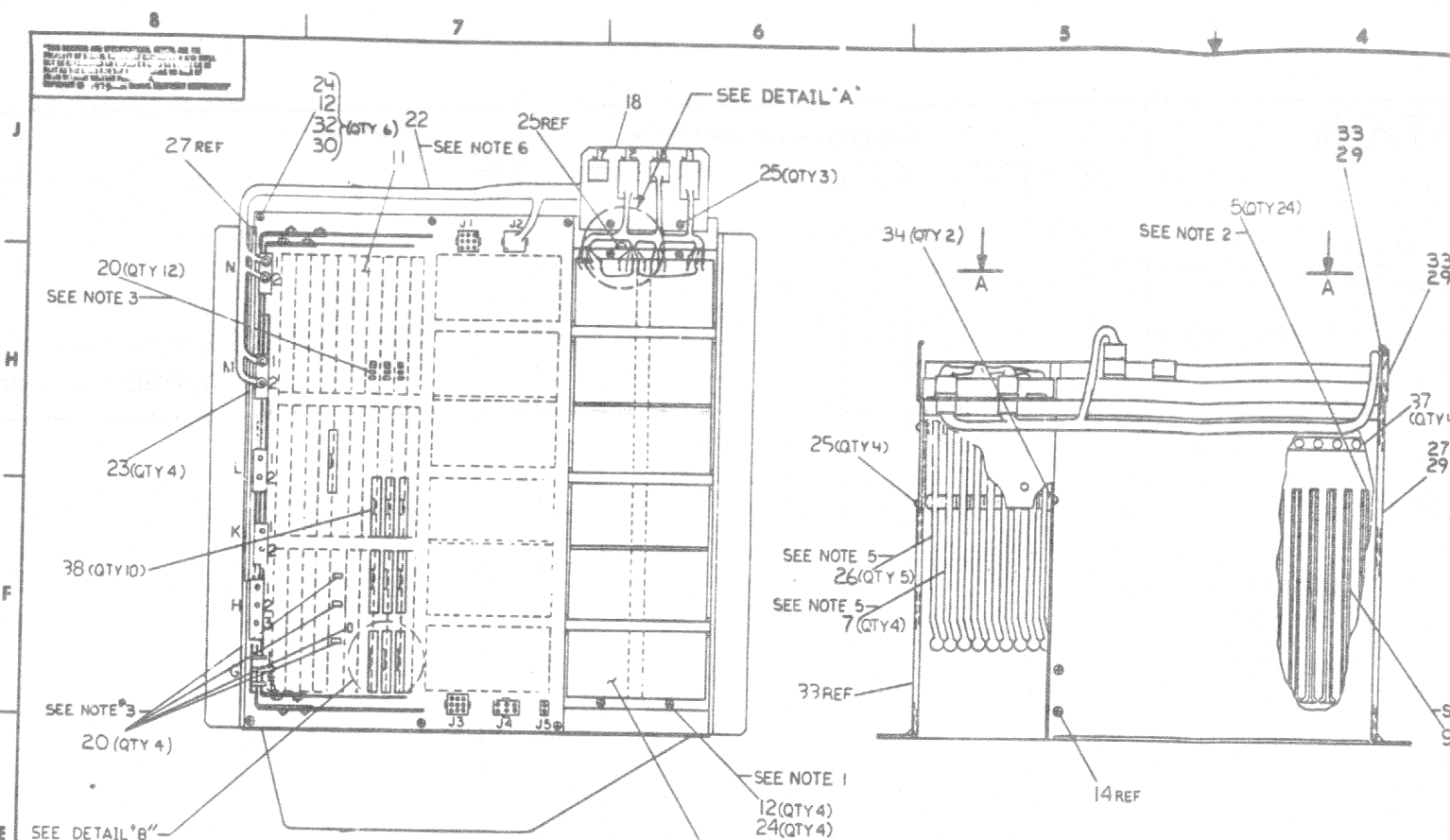
TITLE
PATCH CABLE, AIR FLOW SENSOR

ASSY NO. D-IA-7016928-0-0
SHEET 1 OF 1

SIZE	CODE	NUMBER	REV.
B	PL	7016928-0-0	*

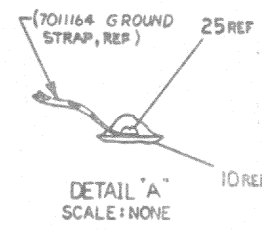
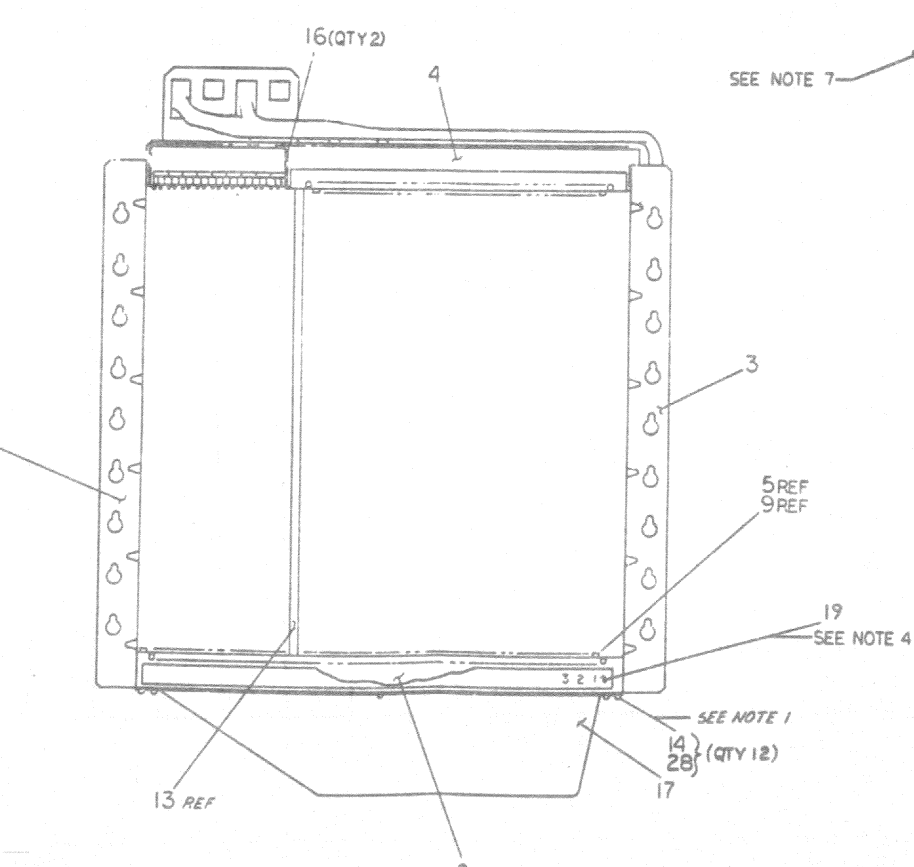
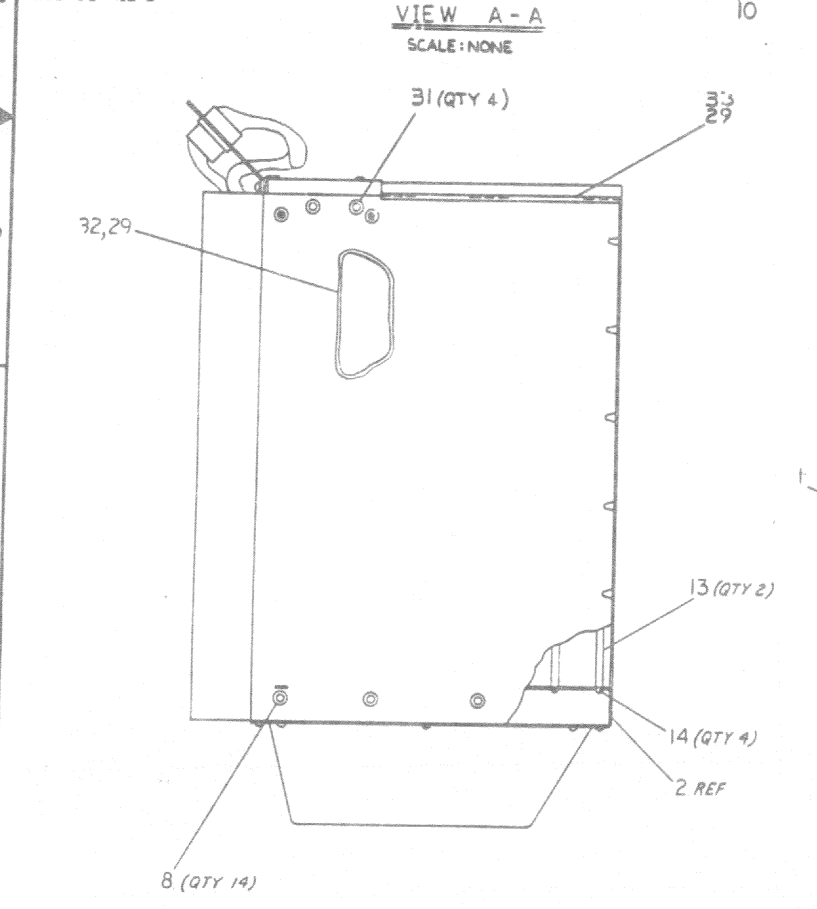
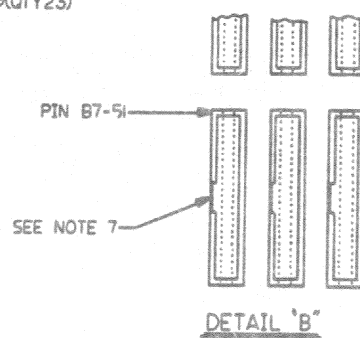
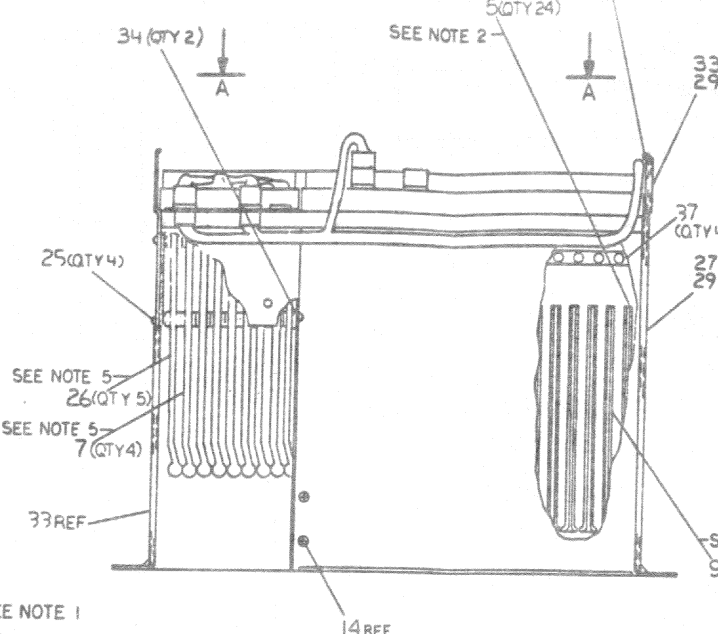
INSERTION PARTS LIST DATA BASE REV

TW



WIRING TABLE				
ITEM NO	DESCRIPTION	FROM	TO	REMARKS
20	JUMPER	C6-47	C6-49	BAVD BART 300
		A7-67	A7-68	BUS GRANT
		A7-69	A7-70	
		A7-73	A7-74	
		A7-77	A7-78	
		A8-67	A8-68	
		A8-69	A8-70	
		A8-73	A8-74	
		A8-77	A8-78	
		A9-67	A9-68	
		A9-69	A9-70	
		A9-73	A9-74	
20	JUMPER	A9-77	A9-78	BUS GRANT
20	JUMPER	C5-23	C5-24	SPARE
20	JUMPER	C5-43	C5-44	SPARE
20	JUMPER	C5-71	C5-72	SPARE
22	PWR HARNESS	J9	J2	
		J9	M2	BLK
		J9	N1	RED
		J7	J2	
		J7	M1	BLK
		J7	N2	RED
22	PWR HARNESS	J7	N2	
38	SHROUD	B7-51	B7-94	
38		B8-51	B8-94	
38		B9-51	B9-94	
		C7-01	C7-44	
		C8-01	C8-44	
		C9-01	C9-44	
		C7-51	C7-94	
		C8-51	C8-94	
		C9-51	C9-94	
38	SHROUD	B4-17	B4-60	

- NOTES:**
- FOR TORQUE SPECIFICATION SEE A-SP-766328-0-0.
 - POSITION #1 TO BE ITEM 5 THEN ALTERNATE POSITIONS WITH ITEM 9 TYPICAL.
 - LOCATE JUMPER (ITEM 20) PER WIRING TABLE.
 - LOCATE DECALS (ITEM 19) APPROX AS SHOWN.
 - POSITION CAPD GUIDE (ITEM 26) AS SHOWN THEN ALTERNATE POSITIONS WITH ITEM 7 TYPICAL.
 - CONNECT PER WIRING TABLE.
 - ORIENTATE KEYED SIDE OF SHROUD AS SHOWN.



FOR PARTS LIST REFER TO
K-PL-701670B-0-DBP (20695A.PLS)

REV	DATE	BY	CHKD
1	11/25/50	W. J.
2

DESCRIPTION	ENCL PART NO.	ITEM NO.
CARD CAGE ASSY		
DATE	11/25/50	
BY	W. J. ...	
CHKD	...	
PROJ. ENG.	...	
PROD. ENG.	...	
SCALE	1:1	

LINE	ITEM	DOCUMENT NUMBER	PART NUMBER	DESCRIPTION	QUANTITY PER VARIATION
1	1	E-MD-7421593-0-0	7421593-00	PLATE, SIDE, LH, CARD CAGE	1
2	2	E-MD-7425292-0-0	7425292-00	PAN, BOTTOM, CARD CAGE	1
3	3	E-MD-7421592-0-0	7421592-00	PLATE, SIDE, RH, CARD CAGE	1
4	4	E-MD-7425291-0-0	7425291-00	PAN, TOP, CARD CAGE	1
5	5		1212405-00	CARD GUIDE, NYLON	24
6	6	BLANK		*** THIS ITEM IS NOT USED ***	-
7	7		1215848-00	CARD GUIDE	4
8	8		9009241-00	RIVET, BLIND DOME 0.1880X0.450	14
9	9		1212405-01	CARD GUIDE, NYLON	23
10	10	D-AD-7011164-0-0	7011164-00	BACKPLANE ASSY [DD11-DK]	1
11	11	B-DD-7016486-0-0	7016486-00	BACKPLANE	1
12	12		9008905-01	SCREW, MACH PAN PHIL 8-	10
13	13	C-MD-7423051-0-0	7423051-00	ROD, SUPPORT	2
14	14		9009701-00	SCREW, SEMS PAN PHIL 6-	16
15	15	BLANK		*** THIS ITEM IS NOT USED ***	-
16	16	B-MD-7421576-0-0	7421576-00	SUPPORT CARD GUIDE	2
17	17	D-IA-7016183-0-0	7016183-00	PLENUM ASSY CARD CAGE	1
18	18	D-MD-7426003-0-0	7426003-00	BRACKET, CONNECTOR	1
19	19	A-SP-3617170-0-0	3617170-00	LABEL, MODULE SLOT NUMBERING FOR	1
20	20		1214314-00	CONN, P+S 02SKT(1X02).100CC JUM	16
21	22	D-IA-7016386-0-0	7016386-00	HARNESS, POWER	1
22	23		9006565-00	NUT, HEX EXT TOOTH LCKWSHR 10-32	4
23	24		9008151-00	WASHER, LOCK EXTERNAL STEEL	10
24	25		9009545-00	SCREW, SEMS PAN PHIL 8-	7
25	26		1215848-01	CARD GUIDE	5
26	27		9010299-02	CHANNEL "U" NEOPRENE, BLK 1/8 SLOT	12
27	28		9006659-00	WASHER, FLAT STEEL	12
28	29		9009157-01	ADH, LIQ. RM. TEMP CURING COLORLESS	A/R
29	30		9006708-00	WASHER, FLAT NYLON	6
30	31		9006664-00	WASHER, FLAT SST	4

REVISION HISTORY			BASIC PART NO: 7016708								
ENG:	ECO NUMBER	REV	SECTION A OF A	DRN:	A. ROCHA	DATE:	02-MAY-80	D I G I T A L			
	INITIAL	*	SECTION. VARIATION INDEX	CHK'D:	R. J. RILEY	DATE:	02-MAY-80	TITLE PARTS LIST			
RC	7016708-TW001	A	[A] 00					CARD CAGE ASSY			
RC	7016708-TW002	B	[B]	DES. ENG.:	P. MCMANUS	DATE:	02-MAY-80	DOCUMENT NUMBER			
			[C]	RESP. ENG.:	D. CANE	DATE:	02-MAY-80	SIZE:	CODE:	NUMBER	REV
			[D]					K	PL	7016708-0-DBP	B
			[E]	MFG. ENG.:	R. SMITH	DATE:	02-MAY-80	FILE NAME:			EDIT #
			[F]	ASSEMBLY NUMBER:	E-IA-7016708-0-0	TOP DOCUMENT NUMBER:	B-DD-7016708-0-0	Z0695B.PLS			8

"THIS DRAWING AND SPECIFICATIONS HEREIN, ARE THE PROPERTY OF DIGITAL EQUIPMENT CORPORATION AND SHALL NOT BE REPRODUCED OR COPIED OR USED IN WHOLE OR IN PART AS THE BASIS FOR THE MANUFACTURE OR SALE OF ITEMS WITHOUT WRITTEN PERMISSION. COPYRIGHT (C) 1983. DIGITAL EQUIPMENT CORPORATION "

AUTOMATED BY PRTLST.3N(42)

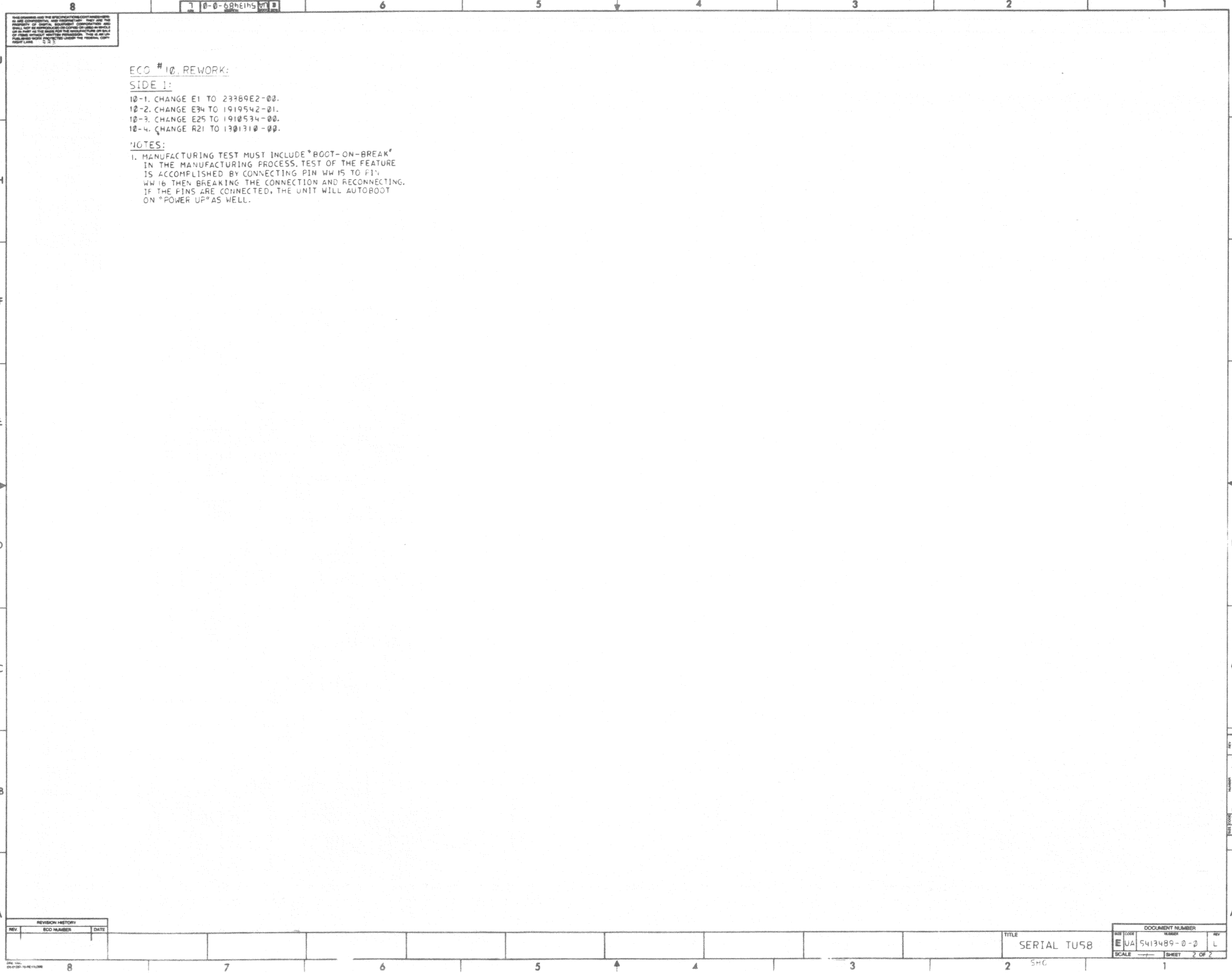
PARTS LIST

SHEET A2 OF A2

LINE	ITEM	DOCUMENT NUMBER	PART NUMBER	DESCRIPTION	QUANTITY PER VARIATION
					00
31	32		9006660-00	WASHER,FLAT SST	6
32	33		9010299-00	CHANNEL "U"NEOPRENE,BLK 3/32SLOT	40
33	34		7424247-00	SPACER	2
34	35	BLANK		*** THIS ITEM IS NOT USED ***	-
35	36	BLANK		*** THIS ITEM IS NOT USED ***	-
36	37	D-MD-7424272-0-0	7424272-00	CARD GUIDE	4
37	38		1216821-00	HOUSING,BACKPLANE CONN, .1 X .1	10

38 NOTE: ITEM 27 AND 33 ARE IN INCHES.

D	I	G	I	T	A	L	TITLE	SECTION A	OF	A	SIZE	CODE	DOCUMENT NUMBER	REV
							CARD CAGE ASSY				K	PL	7016708-0-DBP	B



ALL DIMENSIONS ARE IN MILLIMETERS UNLESS OTHERWISE SPECIFIED. DIMENSIONS IN PARENTHESES ARE FOR INFORMATION ONLY. DIMENSIONS IN BRACKETS ARE FOR INFORMATION ONLY. DIMENSIONS IN PARENTHESES ARE FOR INFORMATION ONLY. DIMENSIONS IN BRACKETS ARE FOR INFORMATION ONLY. DIMENSIONS IN PARENTHESES ARE FOR INFORMATION ONLY. DIMENSIONS IN BRACKETS ARE FOR INFORMATION ONLY.

ECO # 10, REWORK:

SIDE 1:

- 10-1. CHANGE E1 TO 23989E2-00.
- 10-2. CHANGE E34 TO 1919542-01.
- 10-3. CHANGE E25 TO 1910534-00.
- 10-4. CHANGE R21 TO 1301310-00.

NOTES:

1. MANUFACTURING TEST MUST INCLUDE "BOOT-ON-BREAK" IN THE MANUFACTURING PROCESS. TEST OF THE FEATURE IS ACCOMPLISHED BY CONNECTING PIN WW 15 TO FIN WW 16 THEN BREAKING THE CONNECTION AND RECONNECTING. IF THE PINS ARE CONNECTED, THE UNIT WILL AUTOROOT ON "POWER UP" AS WELL.

REVISION HISTORY		
REV	ECO NUMBER	DATE

TITLE SERIAL TUSB

DOCUMENT NUMBER	
REV	ECO
L	5413489-0-0

LINE	ITEM	DOCUMENT NUMBER	PART NUMBER	DESCRIPTION	QTY	PER VARIATION	REFERENCE DESIGNATOR
					00		
1	1		5013488-00	TU58 ELECTRONIC SERIAL	1		
2	2		1215816-00	PCB HEADER 15PIN(1X15).100CC STR	2		J3, J4
3	3		1000021-00	220.0 MMF 100V 5%200PPM MICA	1		C10
4	4		1000023-00	*** THIS ITEM IS NOT USED ***	-		
5	5		1010978-36	.1 MFD 50V 10% CER	3		C8, C16, C47
6	6		1000042-00	1000.0 MMF 100V 5%200PPM MICA	2		C9, C7
7	7		1001610-00	.01 MFD 50V +80-20% Z5U CER	17		C2, C17, C27-C33, C35, C36, C38, C40, C41, C42, C43, C45
8	8		1001776-00	1 MFD 35V 10% S.TANT	2	CONT	C6, C46
9	9		1002315-00	2000.0 MMF 500V 5%200PPM MICA	1		C12
10	10		1013466-21	3.3 MMF 50V+- .5PF CER	1		C4
11	11		1002431-00	2.2MFD 35V 10% S.TANT	2		C1, C3
12	12		1005306-00	6.8MFD 35V 10% S.TANT	4		C5, C13, C23, C54
13	13		1005334-00	*** THIS ITEM IS NOT USED ***	-		
14	14		1005820-00	22.0 MMF 100V 5%200PPM MICA	1		C11
15	15		1010978-40	.22 MFD 50V 10% CER	1		C19
16	16		1011895-00	.15 MFD 35V 10% S.TANT	1		C18
17	17		1012312-00	*** THIS ITEM IS NOT USED ***	-		
18	18		1100101-00	*** THIS ITEM IS NOT USED ***	-		
19	19		1102808-00	VZ= 5.6 5% 400 MW 1N752A	1		D27
20	20		1105275-00	PIV= 60 IO=300 MA -15NS	25		D1-D13, D31, D33-D43
21	21		1110324-00	LED 1MCD@10MA PIV=3	1		D28
22	22		1115369-00	DIODE ARRY PIV= 100 IO= 1.00A	2		D15, D16
23	23		1213506-04	PCB HEADER 09PIN(2X05).100CC 90D	1		J2
24	24		1212385-04	SKT, IC 24PIN DIP GOLD SOLD	1		XE1
25	25	USED FOR Q7 & Q12	1213071-06	INSULATOR, RUBBER SILICONE	2		
26	26		1213113-01	*** THIS ITEM IS NOT USED ***	-		
27	27		1213418-01	HEAT SINKS, 1.380X1.00	2		
28	28		1300247-00	120.0 .25 W 5.0 % CF	1		R75
29	29		1300274-00	*** THIS ITEM IS NOT USED ***	-		

REVISION HISTORY		BASIC PART NO: 5413489		DRN:	DAN MUTNANSKY	DATE:	22-MAY-78	D I G I T A L			
ENG!	ECO NUMBER	REV	SECTION A OF A	CHK'D:	P. BOSSMAN	DATE:	6-JUNE-78	TITLE PARTS LIST			
---	INIT	C	SECTION VARIATION INDEX					SERIAL TU58			
!PB	!5413489-ML001	!D	[A] 00								
!M.L	!5413489-ML003	!E	[B]								
!ML	!5413489-ML004	!F	[C]	DES.ENG:	MIKE LEIS	DATE:	22-MAY-78				
!D.M	!5413489-ML006	!H	[D]								
!E.S	!5413489-ML007	!J	[E]	RESP.ENG.:	M. LEIS	DATE:	6-JUNE-78	DOCUMENT NUMBER			
!A.R	!5413489-SH008	!K	[F]					SIZE	CODE	NUMBER	REV
!R.G	!5413489-SH010	!L	[H]					K	PL	5413489-0-DBP	L
			[J]	MFG.ENG.:	P. BARTON	DATE:	6-JUNE-78				
			[K]	ASSEMBLY NUMBER:		TOP DOCUMENT NUMBER:				FILE NAME:	EDIT #
			[L]	E-UA-5413489-0-0		TU58				Z0582L.PLS	43
			[M]								
			[N]								

"THIS DRAWING AND SPECIFICATIONS HEREIN, ARE THE PROPERTY OF DIGITAL EQUIPMENT CORPORATION AND SHALL NOT BE REPRODUCED OR COPIED OR USED IN WHOLE OR IN PART AS THE BASIS FOR THE MANUFACTURE OR SALE OF ITEMS WITHOUT WRITTEN PERMISSION. COPYRIGHT (C) 1983. DIGITAL EQUIPMENT CORPORATION "

LINE ITEM	DOCUMENT NUMBER	PART NUMBER	DESCRIPTION	QTY	PER VARIATION	REFERENCE DESIGNATOR
				00		
30	30	1300316-00	470.0 .25 W 5.0 % CF	5		R5,R55,R100,R78,R84
31	31	1300365-00	1.0 K .25 W 5.0 % CF	2		R10,R18
32	32	1300295-00	*** THIS ITEM IS NOT USED ***	-		
33	33	1300447-00	4.70 K .25 W 5.0 % CF	8		R11,R19,R20,R25,R54,R79,R76,R105
34	34	1300479-00	10.0 K .25 W 5.0 % CF	21		R9,R22,R24,R26,R44,R46,R50,R58, CONT R59,R66,R67,R68,R80,R33,R36,R96, CONT R86,R73,R97-R99
35	35	1301322-00	180.0 .25 W 5.0 % CF	1		R31
36	36	1301327-00	68.0 K .25 W 5.0 % CF	1		R72
37	37	1300432-00	3.0 K .25 W 5.0 % CF	1		R6
38	38	1301969-00	22.0 .25 W 5.0 % CF	1		R29
39	39	1302092-00	220.0 K .25 W 5.0 % CF	1		R51
40	40	1302177-00	47.0 K .25 W 5.0 % CF	2		R14,R23
41	41	1302388-00	2.0 K .25 W 5.0 % CF	5		R27,R28,R34,R37,R85
42	42	1302391-00	20.0 K .25 W 5.0 % CF	1		R83
43	43	1302394-00	30.0 K .25 W 5.0 % CF	2		R52,R106
44	44	1302396-00	150.0 K .25 W 5.0 % CF	2		R8,R81
45	45	1302398-00	470.0 K .25 W 5.0 % CF	3		R7,R45,R57
46	46	1302941-00	14.70 K .25 W 1.0 % RN55D-F10	3		R13,R16,R56
47	47	1303177-00	2.40 K .25 W 5.0 % CF	8		R17,R30,R41,R42,R43,R60,R69,R71
48	48	1303312-00	10.0 K .25 W 1.0 % RN55D-F10	2		R12,R15
49	49	1305324-00	4.99 K .25 W 1.0 % RN55D-F10	4		R38,R39,R47,R49
50	50	1309386-00	5.60 M .25 W 5.0 % CF	1		R40
51	51	1001610-01	*** THIS ITEM IS NOT USED ***	-		
52	52	1311466-00	.20 2.0 W 5.0 % WW	1		R53
53	53	1313596-00	20.0 K .25 W 1.0 % RN55D-F10	2		R77,R102
54	54	1315660-00	R NETWORK 16-10K 1-4.7K 20PIN	1		R2
55	55	1315661-00	R NETWORK MULTI-VALUE	2		R1,R4
56	56	1315662-00	R NETWORK 14-2.4K 10.0 % 15PIN	1		R3
57	57	1503409-00	DEC6534D PNP 310MW SI 40 90	2		Q2,Q4
58	58	1509142-00	DEC4250 PNP 200MW SI 40250	1		Q1
59	59	1509338-00	DEC6531B NPN 310MW SI 40 90 P	6		Q3,Q5,Q8,Q11,Q14,Q17
60	60	1510421-00	D 44C8 NPN 30WT SI 60 20	4		Q6,Q7,Q12,Q13
61	61	1510598-00	DEC45C8 PNP 27WT SI 60 20 Y	4		Q9,Q10,Q15,Q16
62	62	1812396-06	XTAL 4.9152 MHZ	1		Y1
63	63	1910282-00	301AN OP AMP	1		E30
64	64	1910645-00	75452 DRIVER,PERIPH,DUAL,	4		E9,E10,E26,E27
65	65	1910741-00	7406 INVERTER GATE-HEX 1I	1		E8
66	66	1911242-00	*** THIS ITEM IS NOT USED ***	-		
67	67	1912107-00	324 OP AMP,QUAD	1		E15
68	68	1912108-00	339 VOLT CMPRTR,QUAD	1		E29
69	69	1912799-00	LS00 NAND-GATE-QUAD 2IN,P	2		E17,E19
70	70	1912801-00	LS02 NOR-GATE-QUAD 2IN	1		E13
71	71	1912803-00	LS04 INVERTER GATE,HEX	1		E6
72	72	1912807-00	LS10 NAND GATE-TRIPLE 3IN	1		E24
73	73	1912813-00	LS27 NOR GATE-TRIPLE 3IN	1		E18
74	74	1912832-00	LS107 FF-JK DUAL MASTER/SL	2		E5,E12
75	75	1912857-00	LS197 COUNTER,BINARY,PRESET	1		E7

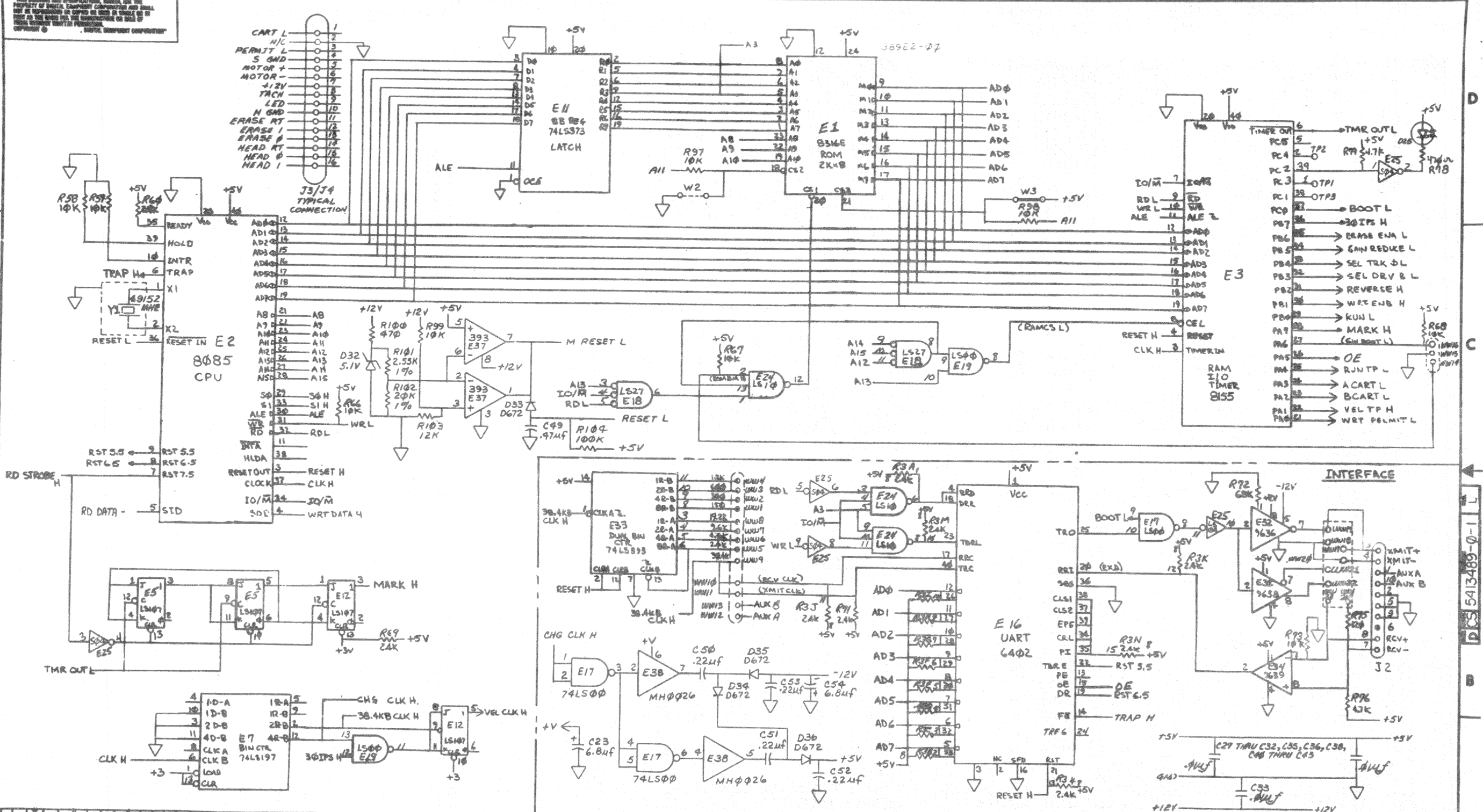
D	I	G	I	T	A	L	TITLE	SECTION A	OF A	SIZE	CODE	DOCUMENT NUMBER	REV
							SERIAL TU58			K	PL	5413489-0-DBP	L

LINE ITEM	DOCUMENT NUMBER	PART NUMBER	DESCRIPTION	QTY PER VARIATION 00	REFERENCE DESIGNATOR
76	76	1914451-00	LS393 COUNTER,BINARY,4BIT	1	E33
77	77	1914466-00	3130E OP AMP MOS/FET IN,CM	1	E28
78	78	1915219-00	LS373 FF-D OCTAL-TRANSPARE	1	E11
79	79	1915415-00	9636 DRIVER,DUAL,EIA RS-	1	E32
80	80	1915416-00	*** THIS ITEM IS NOT USED ***	-	
81	81	1915417-00	9638 DRIVER,DUAL,EIA RS-	1	E31
82	82	2113605-00	4006B SHIFT REG,18 STAGE	1	E14
83	83	2113609-00	4013B FF-D DUAL W/SET/RESE	1	E4
84	84	2113630-00	4052B MULTIPLEXER 4CHAN DI	1	E35
85	85	2113632-00	4066B BILATERAL SWITCH-QUA	1	E22
86	86	2113634-00	4070B X-OR GATE-QUAD CMOS	1	E21
87	87	2113937-00	UART 125K BUAD	1	E16
88	88	2114663-00	MM 80C95 BUFFER-GATE-HEX TRIS	1	E36
89	89	2114963-02	8085A 8BIT N-CHANNEL	1	E2
90	90	2114964-00	RAM 2048 MOSJ-STATIC	1	E3
91	91	23089E2-00	*** THIS ITEM IS NOT USED ***	-	
92	92	1212619-07	PCB,HEADER 06PIN(1X06).156CC STR	1	J1
93	93	9009185-00	JUMPER, WIRE, INSULATED, BLACK B	2	W1,W3
94	94	9010057-00	WASHER,SHOULDER INSULATG PPS	2	
95	95	1215816-01	PCB HEADER 03PIN(1X15).100CC STR	1	
96	96	1215816-02	PCB HEADER 13PIN(1X13).100CC STR	1	
97	97	1215816-03	PCB HEADER 08PIN(1X08).100CC STR	1	
98	98	9006011-01	SCREW,MACH PAN PHIL 4-	2	
99	99	9006557-00	NUT,HEX EXT TOOTH LCKWSHR 4-40	2	
100	100	1100124-00	VZ= 4.7 5% 400 MW 1N750A	2	D29,D30
101	101	1301890-00	560.0 .25 W 5.0 % CF	2	R32,R35
102	102	1313840-00	4.53 K .25 W 1.0 % RN55D-F10	1	R48
103	103	9105740-55	WIRE(WRAP) 30AWG KYNAR UL14	A/R	
104	104	1012084-03	150 MFD 15V +75-10% AL EL	2	C44,C14
105	105	9107256-11	*** THIS ITEM IS NOT USED ***	-	
106	106	1910741-01	7406N BUFFER,HEX	1	E20
107	107	5414232-00	*** THIS ITEM IS NOT USED ***	-	
108	108	1310633-00	2.55 K .25 W 1.0 % RN55D-F10	1	R101
109	109	1300488-00	12.0 K .25 W 5.0 % CF	1	R103
110	110	1302466-00	100.0 K .25 W 5.0 % CF	1	R104
111	111	1105871-00	VZ= 5.15 1% 250 MW	1	D32
112	112	1914156-00	LM 393 VOLT.COMPARATOR DUAL	1	E37
113	113	1912098-00	0026 DRIVER,MOS CLOCK,2	1	E38
114	114	1010274-01	.22 MFD 50V +80-20% Z5U CER	4	C50-C53
115	115	1010279-00	.47 MFD 25V 20% CER	3	C20,C21,C49
116	116	23294E2-00	*** THIS ITEM IS NOT USED ***	-	
117	117	23389E2-00	E2-01,E2-04 ROM	1	E1
118	118	1919542-01	9639 RECEIVER,LINE,DUAL	1	E34
119	119	1910534-00	74S04 INVERTER GATE-HEX 1I	1	E25
120	120	1301310-00	270.0 K .25 W 5.0 % CF	1	R21

USED FOR Q7 & Q12

D	I	G	I	T	A	L	TITLE	SECTION A	OF A	SIZE	CODE	DOCUMENT NUMBER	REV
							SERIAL TU58			K	PL	5413489-0-JBP	L

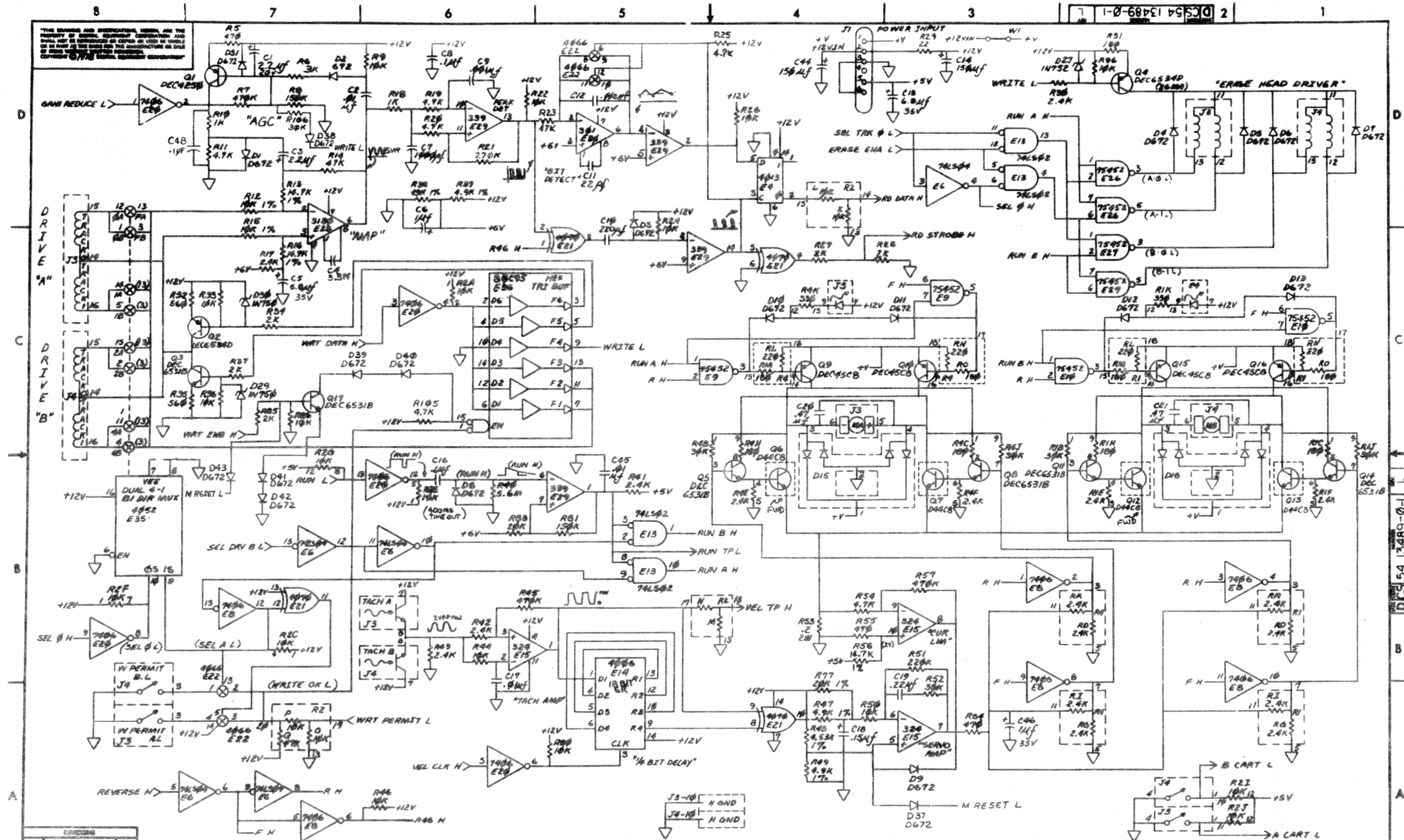
THIS DRAWING AND SPECIFICATIONS HEREBY ARE THE PROPERTY OF INTEL CORPORATION AND SHALL NOT BE REPRODUCED OR COPIED IN WHOLE OR IN PART AS THE BASIS FOR THE CONSTRUCTION OF ANY OTHER EQUIPMENT WITHOUT PERMISSION OF INTEL CORPORATION.



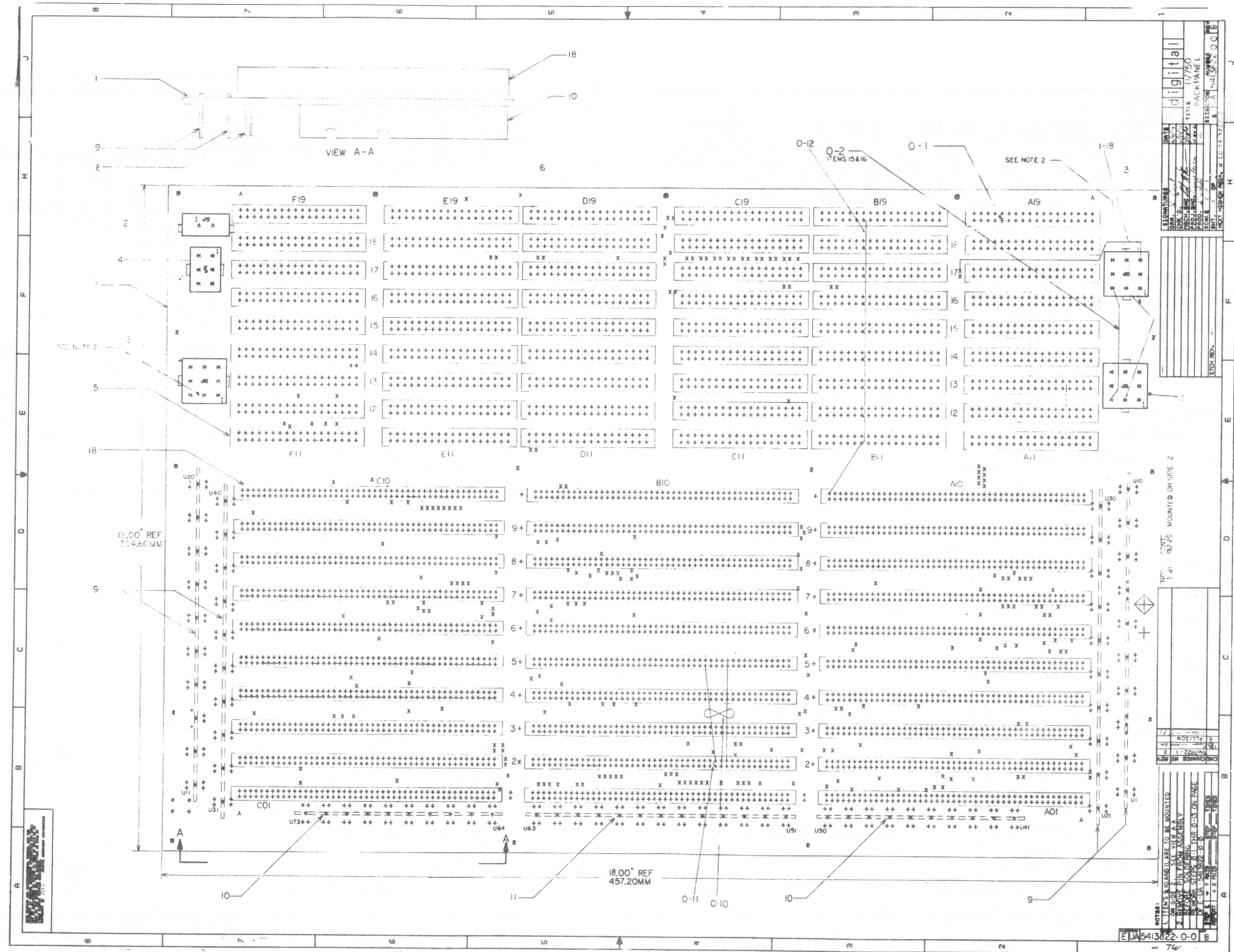
REV.	DATE	BY	CHK'D	DESCRIPTION
1	5/1/78	M. LEIS		INITIAL DESIGN
2	5/15/78	M. LEIS		REVISED FOR BOARD LAYOUT
3	5/22/78	M. LEIS		REVISED FOR BOARD LAYOUT
4	5/29/78	M. LEIS		REVISED FOR BOARD LAYOUT
5	6/5/78	M. LEIS		REVISED FOR BOARD LAYOUT
6	6/12/78	M. LEIS		REVISED FOR BOARD LAYOUT
7	6/19/78	M. LEIS		REVISED FOR BOARD LAYOUT
8	6/26/78	M. LEIS		REVISED FOR BOARD LAYOUT

DRN. M. LEIS 5/1/78	FIRST USED ON	TU58
CHK'D M. LEIS 5/15/78	TITLE	TU58 ELECTRONICS:
ENG. ROSE LEIS 7/6/78	SERIAL	
PROJ. ENG. M. LEIS 8/1/78	SIZE	CODE
PROD. M. LEIS 8-1-78	NUMBER	
NEXT HIGHER ASSY.	DIST.	
3-20-5413489-0		
SCALE		
SHEET 1 OF 2		

THE DIMENSIONS AND IDENTIFICATION MARKS ARE THE PROPERTY OF GENERAL ELECTRIC COMPANY AND SHALL NOT BE REPRODUCED OR COPIED IN WHOLE OR IN PART AS THE BASIS FOR THE MANUFACTURE OF OTHER THAN THE SPECIFIED EQUIPMENT. COPYRIGHT © 1976 GENERAL ELECTRIC COMPANY



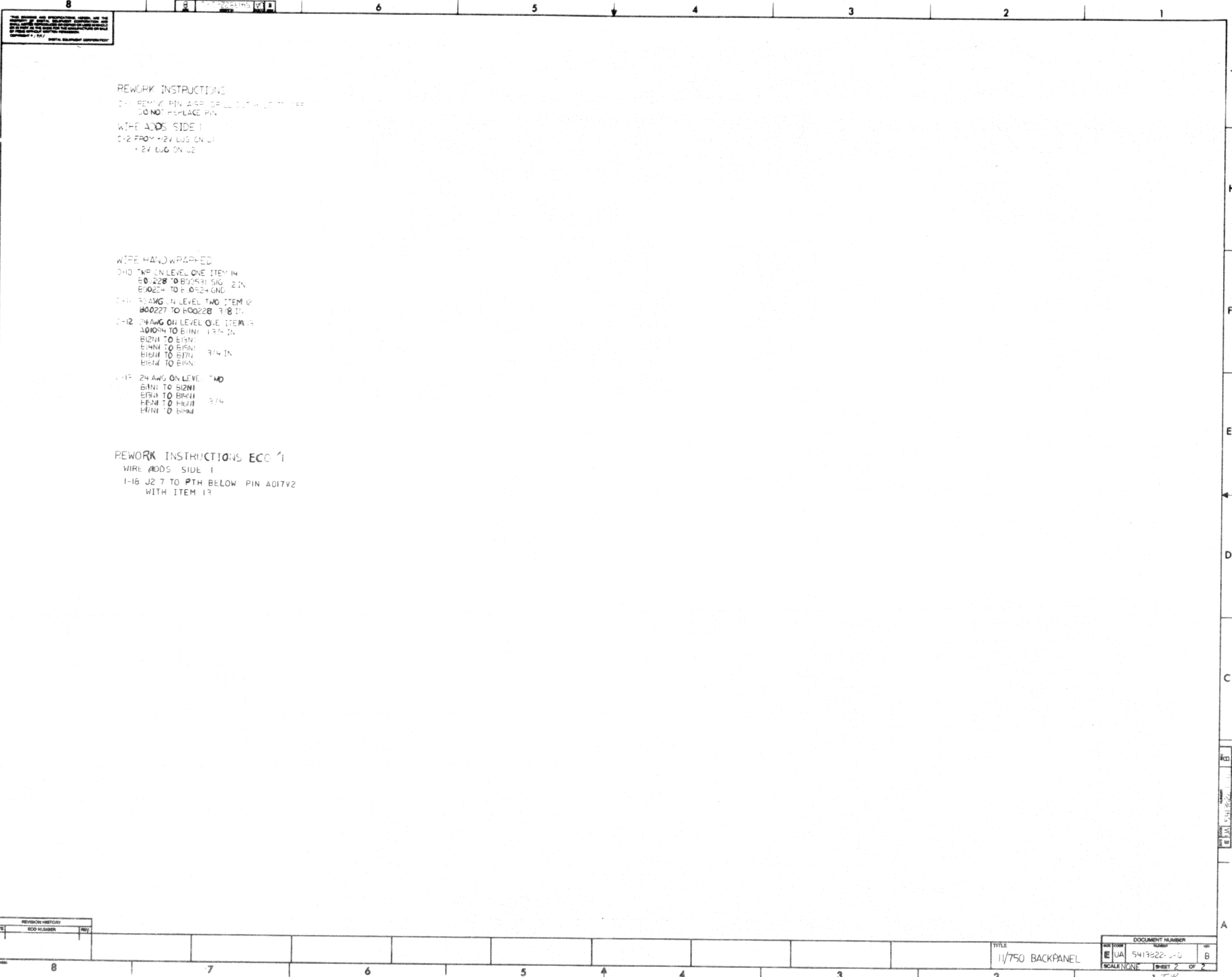
REV.	CHANGES	DATE



SIGNATURES		TITLE		SCALE		PART NUMBER	
DATE	BY	DATE	BY	SCALE	BY	DATE	BY
digital		11/750		PACK PANEL		1-413622-0-0	

NOTES	
1.	ITEMS TO BE MOUNTED ON SIDE 2 SEE VIEW A-A
2.	REMOVE PIN FROM ASSEMBLY BEFORE SOLDERING
3.	REMOVE SOLDER FROM PIN BEFORE SOLDERING
4.	REMOVE SOLDER FROM PIN BEFORE SOLDERING
5.	REMOVE SOLDER FROM PIN BEFORE SOLDERING
6.	REMOVE SOLDER FROM PIN BEFORE SOLDERING
7.	REMOVE SOLDER FROM PIN BEFORE SOLDERING
8.	REMOVE SOLDER FROM PIN BEFORE SOLDERING
9.	REMOVE SOLDER FROM PIN BEFORE SOLDERING
10.	REMOVE SOLDER FROM PIN BEFORE SOLDERING
11.	REMOVE SOLDER FROM PIN BEFORE SOLDERING
12.	REMOVE SOLDER FROM PIN BEFORE SOLDERING
13.	REMOVE SOLDER FROM PIN BEFORE SOLDERING
14.	REMOVE SOLDER FROM PIN BEFORE SOLDERING
15.	REMOVE SOLDER FROM PIN BEFORE SOLDERING
16.	REMOVE SOLDER FROM PIN BEFORE SOLDERING
17.	REMOVE SOLDER FROM PIN BEFORE SOLDERING
18.	REMOVE SOLDER FROM PIN BEFORE SOLDERING

EJW5413622-0-0 B



THE DESIGN AND INFORMATION CONTAINED ON THIS DRAWING IS THE PROPERTY OF THE UNITED STATES GOVERNMENT AND IS LOANED TO YOU FOR YOUR INFORMATION ONLY. IT IS TO BE USED ONLY FOR THE PURPOSES AND IN ACCORDANCE WITH THE TERMS AND CONDITIONS OF THE CONTRACT UNDER WHICH IT WAS PREPARED.

REWORK INSTRUCTIONS
 C-1 REMOVE PIN APP. DRILL OUT HOLE TO REF.
 DO NOT REPLACE PIN.

WIRE ADDS SIDE 1
 C-2 FROM H2V LUG ON U1
 + 2V LUG ON U2

WIRE HAND WRAPPED
 C-10 24 AWG ON LEVEL ONE ITEM 14
 B00228 TO B00531 SIG 2IN
 B00224 TO F-00524 GND
 C-11 24 AWG ON LEVEL TWO ITEM 12
 B00227 TO B00228 3/8 IN.
 C-12 24 AWG ON LEVEL ONE ITEM 15
 A01094 TO B1N1 1 3/4 IN.
 B12N1 TO B1N1
 B14N1 TO B1N1
 B16N1 TO B1N1 3/4 IN.
 B18N1 TO B1N1
 C-13 24 AWG ON LEVEL TWO
 B1N1 TO B12N1
 B1N1 TO B14N1
 B1N1 TO B16N1 3/4
 B1N1 TO B18N1

REWORK INSTRUCTIONS ECO #1
 WIRE ADDS SIDE 1
 I-16 J2 7 TO PTH BELOW PIN A017V2
 WITH ITEM 13

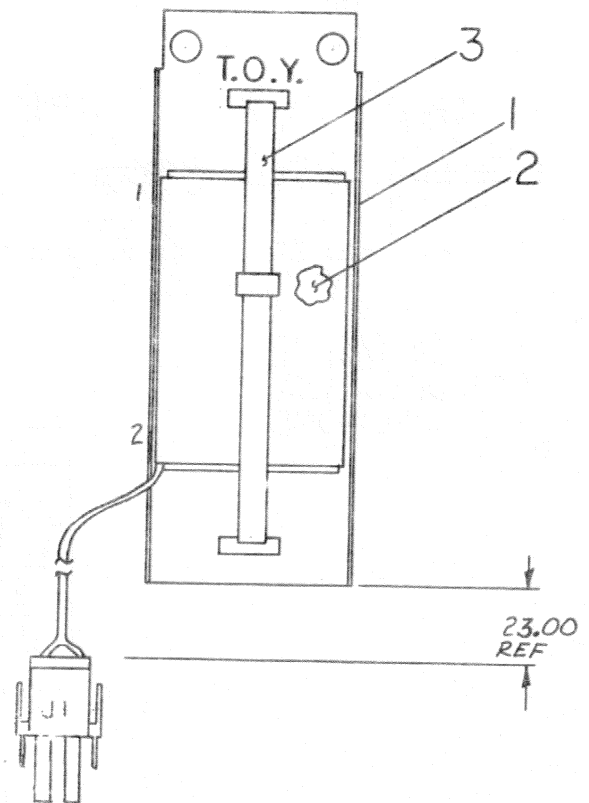
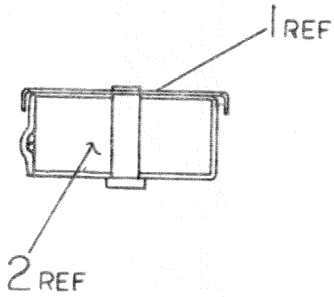
REVISION HISTORY		
DATE	ECO NUMBER	BY

DOCUMENT NUMBER			
TITLE	REV	DATE	BY
11/750 BACKPANEL			
SCALE NONE	SHEET 2 OF 2		

LINE	ITEM	DOCUMENT NUMBER	PART NUMBER	DESCRIPTION	QTY	PER VARIATION	REFERENCE DESIGNATOR
		E-ND-5013821-0-0	5013821-00	COMET BACKPANEL	1		
			1212297-10	MATE-N-LOK 02PIN(1X02).25000 HDR	1		J5
			1212297-11	MATE-N-LOK 09PIN(2X05).25000 HDR	3		J1-J3
			1212297-12	MATE-N-LOK 06PIN(2X03).25000 HDR	1		J4
			1218422-01	CARD EDGE 72PIN(2X36).12500 STR	27		
		BLANK		*** THIS ITEM IS NOT USED ***	-		
		BLANK		*** THIS ITEM IS NOT USED ***	-		
		BLANK		*** THIS ITEM IS NOT USED ***	-		
			1216362-00	BUS BAR,END FIRST USED ON	4		
			1216365-00	BUS BAR,GROUND FIRST USED ON	2		
			1216367-00	BUS BAR,GROUND	1		
			9105740-44	WIRE(WRAP) 30AWG KYNAR UL14	A/R		
			9107688-44	WIRE(WRAP) 24AWG KYNAR UL13	A/R		
			9107720-09	WIRE(WRAP)TWP 30AWG KYNAR UL14	A/R		
			9107560-03	WIRE,BUSS 18AWG TIN BARE	A/R		
			9107278-00	TUBING,TEFLON .042ID	A/R		
			1218421-00	CARD EDGE 94PIN(2X47).10000 STR	13		B4, A6-A9, B6-B9, C6-C9
			1218421-01	CARD EDGE 94PIN(2X47).10000 STR	17		A1-A5, A10, B1-B3, B5, B10, C1-C5, C10

REVISION HISTORY		BASIC PART NO: 5413822		DRN: J. LENT	DATE: 05-JUN-79	D I G I T A L	
ENG:	ECC NUMBER	REV	SECTION A OF A	CHK'D: F. GERRY	DATE: 4-9-80	TITLE	PARTS LIST
---	INITIAL	A	SECTION VARIATION INDEX	DES.ENG: P. MCMANUS	DATE: 4-9-80	11/750 BACKPANEL	
BA	5413822-TW001	B	[A] 00	RESP.ENG.: D. CANE	DATE: 4-9-80	DOCUMENT NUMBER	
			[B]	MFG.ENG.: C. MADY	DATE: 4-9-80	SIZE: K	CODE: PL
			[C]	ASSEMBLY NUMBER:	TOP DOCUMENT NUMBER:	NUMBER: 5413822-0-DBP	REV: B
			[D]	E-UA-5413822-0-0	B-DD-5413822-0-0	FILE NAME: 212528.PLS	EDIT #: 15
			[E]	"THIS DRAWING AND SPECIFICATIONS HEREIN, ARE THE PROPERTY OF DIGITAL EQUIPMENT CORPORATION AND SHALL NOT BE REPRODUCED OR COPIED OR USED IN WHOLE OR IN PART AS THE BASIS FOR THE MANUFACTURE OR SALE OF ITEMS WITHOUT WRITTEN PERMISSION. COPYRIGHT (C) 1982. DIGITAL EQUIPMENT CORPORATION"			
			[F]				
			[G]				
			[H]				
			[I]				
			[J]				
			[K]				
			[L]				
			[M]				
			[N]				

"THIS DRAWING AND SPECIFICATIONS, HEREIN, ARE THE PROPERTY OF DIGITAL EQUIPMENT CORPORATION AND SHALL NOT BE REPRODUCED OR COPIED OR USED IN WHOLE OR IN PART AS THE BASIS FOR THE MANUFACTURE OR SALE OF ITEMS WITHOUT WRITTEN PERMISSION. COPYRIGHT © 1979, DIGITAL EQUIPMENT CORPORATION"



1	CABLE TIE	9009617-00	3
1	BATTERY PACK	C-IA-7016945-0-0	2
1	BRACKET, T.O.Y. MTG	C-MD-7422756-0-0	1

DESCRIPTION		DWG./PART NO.		ITEM NO.		
UNLESS OTHERWISE SPECIFIED DIMENSIONS ARE IN INCHES						
ANGLES ±0° 30'	CLASS OF ACCURACY (CHECK ONE)	NOMINAL DIMENSION RANGE INCHES				
		OVER 0 TO 0.2	OVER 0.2 TO 1.2	OVER 1.2 TO 4.0	OVER 4.0 TO 12.0	OVER 12.0 TO 40.0
SURFACE QUALITY IN	MEDIUM <input type="checkbox"/>	±.004	±.008	±.012	±.016	±.024
	PREFERRED <input type="checkbox"/>	±.012	±.016	±.025	±.04	±.063

THIRD ANGLE PROJECTION	DRN. <i>W. L. L.</i> 16 MAR 79	FIRST USED ON	11/750
REMOVE BURRS AND BREAK SHARP CORNERS	CHK'D <i>J. F. Sullivan</i> 13 JUN 79	TITLE TIME OF YEAR BATTERY	
DO NOT SCALE DWG	ENG. <i>Bill</i> 6/14/79		
MATERIAL SEE PARTS LIST	PROD. <i>Rob. Smith</i> 3/17/80	SIZE	CODE
FINISH <i>H</i>	NEXT HIGHER ASSY.	C	AD
	E-UA-7016707-0-0	NUMBER	
	SCALE 1/1	7016894-0-0	
	SHEET 1 OF 1	DIST.	REV. *

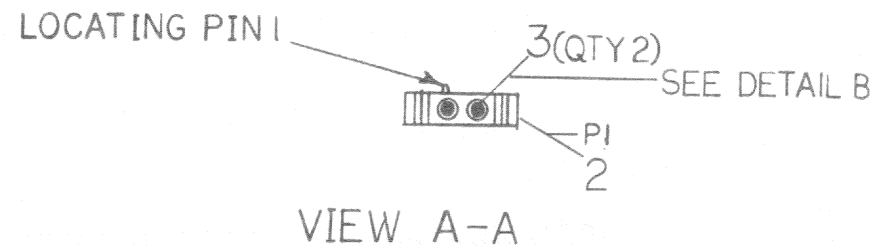
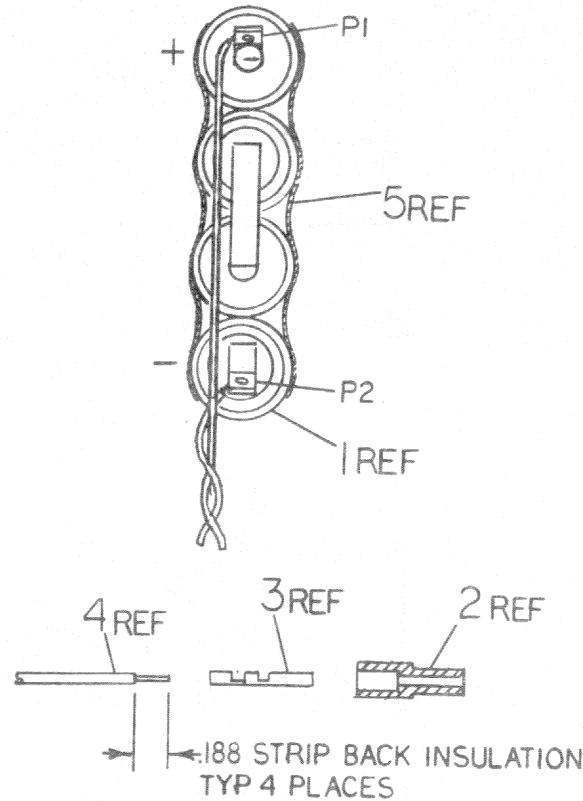
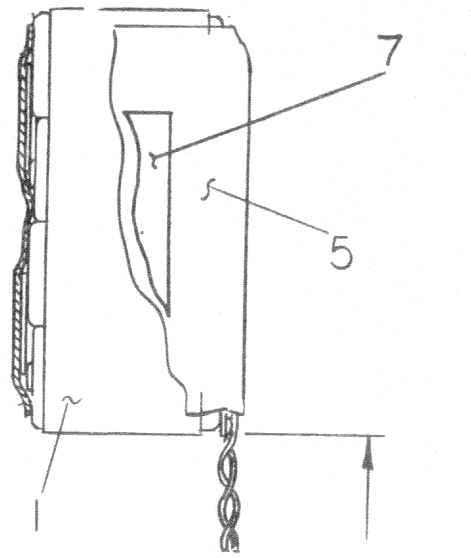
REVISIONS	REV.
CHANGE NO.	
CHK	

SIZE CODE NUMBER
C AD 7016894-0-0

THIS DRAWING AND SPECIFICATIONS HEREIN ARE THE PROPERTY OF DIGITAL EQUIPMENT CORPORATION AND SHALL NOT BE REPRODUCED OR COPIED OR USED IN WHOLE OR IN PART AS THE BASIS FOR THE MANUFACTURE OR SALE OF ITEMS WITHOUT WRITTEN PERMISSION.
 COPYRIGHT © 1979 DIGITAL EQUIPMENT CORPORATION

WIRING TABLE

ITEM NO	DESCRIPTION		FROM		TO		PRECUT LENGTH
	AWG	COLOR	CONN	WITH	CONN	WITH	
4	22	RED	PI-1	ITEM 3	BATT P1	SOLDER	27.5±.5
		BLK	PI-2		BATT P2	SOLDER	24.5±.5



DETAIL B
EXPLODED DETAIL
SCALE: NONE

ITEM NO	DESCRIPTION	DRAWING NO.	PART NO.	ITEM NO
1	LABEL ID		3616073-00	7
1	PWR CONN DECAL	A-DC-7409873-20	7409872-02	6
3.5"	SHRINK TUBING 1.5" I.D.		9107819-00	5
27.5"	WIRE TW/PR 22 AWG		9107420-02	4
2	PIN 18-24 AWG MATE-N-LOC		1212170-03	3
1	CONN, HSG, 2 POS, MATE-N-LOC A-PL-1212167-0-0		1212167-02	2
1	BATTERY PACK, NI-CAD, REC A-PS-1216692-0-0		1216692-00	1

UNLESS OTHERWISE SPECIFIED DIMENSIONS ARE IN INCHES AND THE FOLLOWING TOLERANCES APPLY (PER DEC STD 114)

INCHES TOLERANCES	ANGLES ± 0° 30'	SURFACE QUALITY	DIMENSIONS RANGE IN INCHES					
			OVER 0.2 TO 0.2	OVER 0.2 TO 1.2	OVER 1.2 TO 4.0	OVER 4.0 TO 12.0	OVER 12.0 TO 40.0	OVER 40.0 TO 60.0
X ± .1			± .02	± .03	± .05	± .10		
XX ± .02			± .004	± .008	± .012	± .018	± .024	
XXX ± .005								

THIRD ANGLE PROJECTION

DO NOT SCALE DRAWING

REMOVE BURRS AND BREAK SHARP CORNERS

MATERIAL: SEE PARTS LIST

FINISH: //

DRN: *A. Mowry* DATE: 10-12-79

CHK'D: *[Signature]* DATE: 12/31/79

DESIGN: *[Signature]* DATE: 1/24/80

RESP. ENG: *[Signature]* DATE: 2-7-79

MFG. ENG: *[Signature]* DATE: 3/17/80

TITLE: digital BATTERY PACK ASSY

DOCUMENT NUMBER: C IA 7016945-0-0 A

SCALE: 1/1 SHEET: 1 OF 1

REVISION HISTORY

DATE	ECO NUMBER	REV.
	7016945-TW001	A

P. MCMANUS

SIZE: C IA 7016945-0-0
 NUMBER: A
 REV: A

SIZE: C IA 7016945-0-0
 NUMBER: A
 REV: A

GENERAL CONFIGURATION CONTROL INFORMATION FOR THE 11750-F SYSTEMS

INTRODUCTION

THIS DOCUMENT CONTAINS THE INFORMATION FOR CONFIGURING THE 11750-F SYSTEMS. THE CONFIGURATION INFORMATION CONTAINED HEREIN MUST BE ADHERED TO IN ORDER TO MAINTAIN CONFORMANCE TO DEC STANDARDS.

GENERAL CONFIGURATION RULES:

1. CABINETS SUPPORTED AS BOLT-ON COMPATIBLE WITH THE 11750-FA/-FB ARE:

H9642-FA/-FB UNIBUS EXPANDER CABINET
 H9642-FC/-FD UNIBUS EXPANDER CABINET
 CI750-BA/-BB COMPUTER INTERCONNECT (CABINET)

ALL OTHER SYSTEM CABINETS (E.G., DISK, TAPE) ARE FREESTANDING.

2. CPU INTERNAL OPTIONS INSTALLABLE IN THE 11750-F ARE:

FP750 FLOATING POINT
 RH750-F MASSBUS CONTROLLER
 DW750 SECOND UNIBUS
 DR750-F PARALLEL INTERFACE
 CI750 COMPUTER INTERCONNECT (INTERFACE MODULE)
 MS750-C MEMORY
 H7112-A/-B BATTERY BACKUP UNIT

OPTIONS INSTALLABLE IN THE 11750-F UNIBUS BACKPLANE ARE LISTED IN DOCUMENT K-SA-11750-F-1.

ECO HISTORY				IDRN: R. NELSON	DATE: 6/22/83	d i g i t a l			
ENG	ECO NUMBER	REVI	ENG	ECO NUMBER	REVI	CHK'D: K. BANKER	DATE: 6/22/83	TITLE	CONFIGURATION CONTROL
	INIT.	A				DES.ENG.: S. FOOTE	DATE: 6/22/83		11750-F SYSTEMS
						RESP.ENG.: S. FOOTE	DATE: 6/22/83		DOCUMENT NUMBER
						MFG.ENG.: K. O'BRIEN	DATE: 6/22/83	SIZE	CODE
						FILE NAME: K-SA-11750-F-DBF		NUMBER	REV.
								K SA 11750-F-0	A
									SHEET 1 OF 7

"THIS DRAWING AND SPECIFICATIONS HEREIN, ARE THE PROPERTY OF DIGITAL EQUIPMENT CORPORATION AND SHALL NOT BE REPRODUCED OR COPIED OR USED IN WHOLE OR IN PART AS THE BASIS FOR THE MANUFACTURE OR SALE OF ITEMS WITHOUT WRITTEN PERMISSION. COPYRIGHT (C) 1983 DIGITAL EQUIPMENT CORPORATION"

rw

GENERAL CONFIGURATION CONTROL INFORMATION FOR THE 11750-F SYSTEMS

CMI EXPANSION:

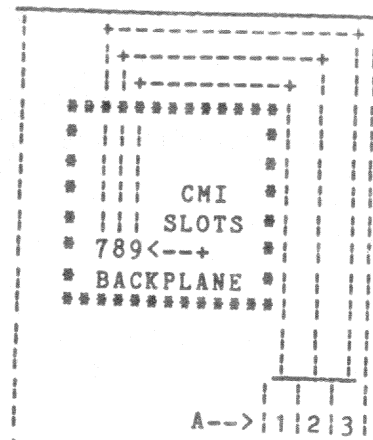


FIGURE #1 (VIEWED FROM REAR)

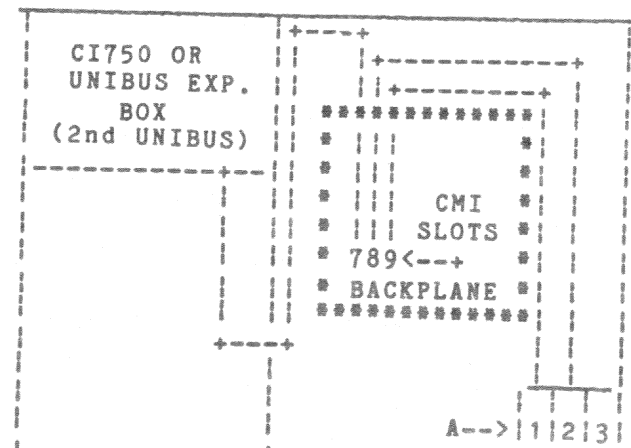


FIGURE #2 (VIEWED FROM REAR)

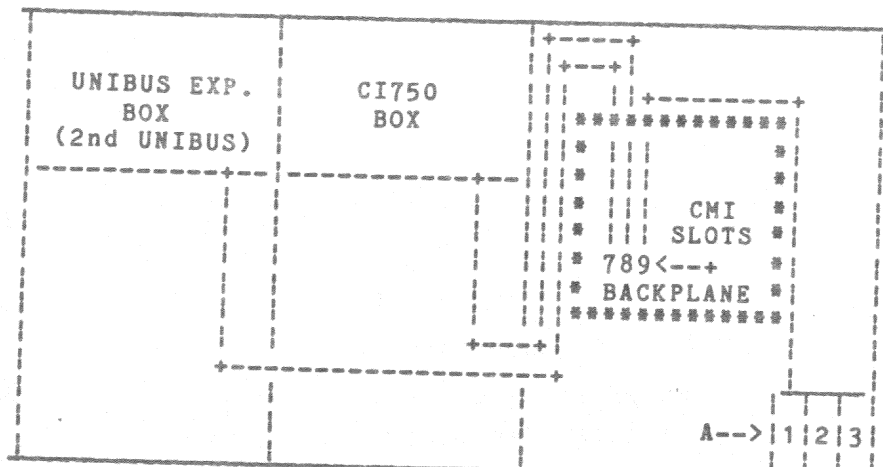


FIGURE #3 (VIEWED FROM REAR)

TABLE #1

ALLOWABLE CONFIGURATIONS OF CMI SLOTS 7, 8, & 9.

	SLOT 7	SLOT 8	SLOT 9	CABLING
1	RH750	RH750	RH750	SEE FIG. 1
2	DW750	RH750	RH750	SEE FIG. 2
3	DR750	RH750	RH750	SEE FIG. 1
4	DW750	DR750	RH750	SEE FIG. 2
5	DW750	CI750	RH750	SEE FIG. 3
6	CI750	RH750	RH750	SEE FIG. 2

NOTES:

1. COMBINATION OF DR750 AND CI750 IS NOT ALLOWED
2. ONLY ONE DR750 PER SYSTEM IS ALLOWED.
3. ONLY ONE DW750 PER SYSTEM IS ALLOWED.
4. ONLY ONE CI750 PER SYSTEM IS ALLOWED.
5. AREA (FIG. 1, 2, 3) DESIGNATED A1, A2, A3 IS COMPRISED OF THE BOTTOM THREE PANEL UNITS IN THE IN THE 11750-F CABINET BULKHEAD PANEL.

d i g i t a l	TITLE	SHEET 2 OF 7	DOCUMENT NUMBER
	CONFIGURATION CONTROL 11750-F SYSTEMS		SIZE: CODE: NUMBER K SA 11750-F-0
			REV. A

TW

GENERAL CONFIGURATION CONTROL INFORMATION FOR THE 11750-F SYSTEMS

UNIBUS EXPANSION:

1. UNIBUS EXPANDER CABINETS SUPPORTED ON THE 11750-F ARE:
 H9642-FA/-FB
 H9642-FC/-FD
2. A MAXIMUM OF TWO EXPANDER BOXES (ONE PER CABINET) IS ALLOWABLE ON EACH 11750-F UNIBUS.
3. UNIBUS EXPANDER CABINETS ALWAYS BOLT TO THE CPU CABINET OR TO ADJACENT UNIBUS EXPANDER OR CI750 CABINET.
4. PREFERRED DIRECTION OF SYSTEM EXPANSION IS TO THE LEFT OF THE CPU CABINET (AS VIEWED FROM THE FRONT) FOR EXPANSION OF THE FIRST UNIBUS (UBA #0), AND TO THE RIGHT OF THE CPU CABINET FOR THE SECOND UNIBUS (UBA #1). SEE FIGURE #4 FOR CABINET CONFIGURATION.
5. ALL UNSHIELDED UNIBUS CABLES, E.G. BC11A, MUST BE ROUTED INTERNAL TO THE OVERALL ENCLOSURE, THROUGH THE CABLE PORTS PROVIDED IN THE SHIELD INSERTS OF EACH CABINET.
6. AT TIME OF INITIAL FIELD INSTALLATION OF THE EXPANDER CABINETS, BOTH KNOCKOUTS IN THE INSERTS OF THE MATING SIDES OF THE CABINETS TO BE JOINED SHOULD BE REMOVED, AND BOTH FEEDTHROUGH DUCTS INSTALLED. THIS IS FOR EASE OF FUTURE EXPANSION.
7. DO NOT REMOVE KNOCKOUTS FROM INSERTS OF NON-EXPANSION SIDES OF EITHER CABINET.
8. REFER TO K-SA-H9642-F DOCUMENTS FOR ADDITIONAL UNIBUS CABINET EXPANSION INFORMATION.

CABINET CONFIGURATION FOR MAXIMUM UNIBUS EXPANSION:

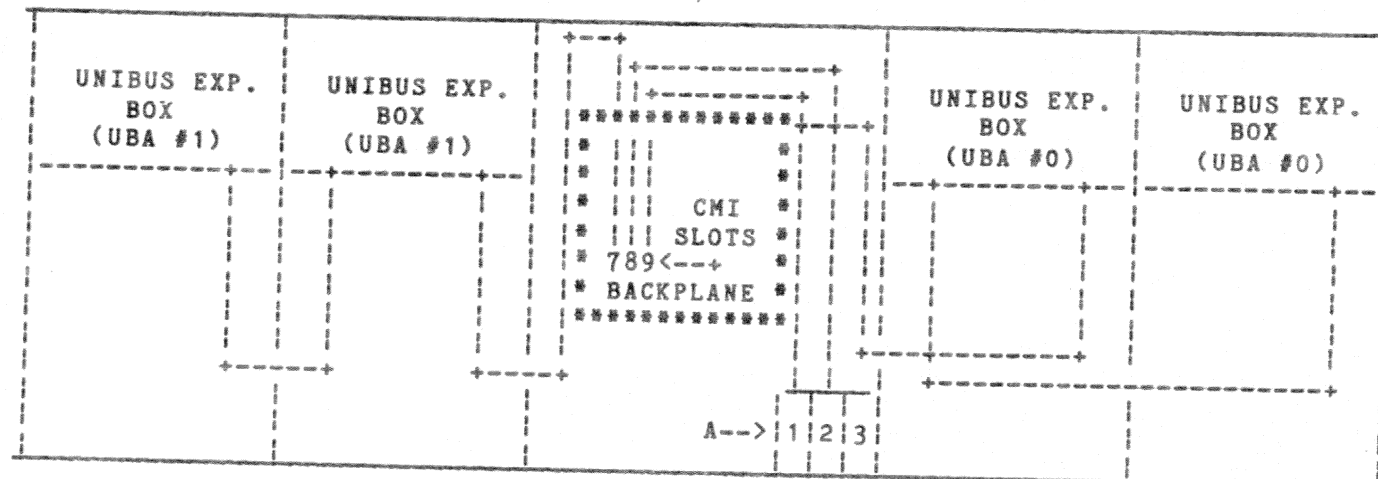


FIGURE #4
(VIEWED FROM REAR)

TITLE		DOCUMENT NUMBER	
d	i	K	SA
g	i	11750-F-0	
t	a		REV.
l			A
CONFIGURATION CONTROL		SHEET 3 OF 7	
11750-F SYSTEMS			

TW

GENERAL CONFIGURATION CONTROL INFORMATION FOR THE 11750-F SYSTEMS

11750-F I/O BULKHEAD PANEL:

1. PANEL UNITS IN ZONES A1-A3 ARE TO BE USED FOR INSTALLATION OF PANEL INSERTS FOR RH750 OR DR750. INSTALLATION OF THE UDA50 BULKHEAD ASSY. IS ALSO PREFERRED IN ZONE A3 IF SPACE IS NOT ALREADY UTILIZED.
2. BULKHEAD AREA E1 IS RESERVED FOR INSTALLATION OF THE RL211 CONTROLLER/DISK BULKHEAD ASSY. ON SYSTEMS IN WHICH THE RL11 CONTROLLER IS TO BE INSTALLED IN THE CPU UNIBUS BACKPLANE, DISCARD THE BLANK COVER ON THE BULKHEAD AT "E1", DISCARD THE PANEL INSERT PROVIDED WITH THE RL211 OPTION, AND INSTALL THE 40 PIN CONNECTOR AND SHIELD RECEPTACLE DIRECTLY TO THE 11750-F BULKHEAD PANEL.
3. ALL OTHER UNIBUS OPTIONS WHICH INCLUDE PANEL INSERTS MOUNT IN ZONES B1-B4, C1-C4, D1-D4. THE BULKHEAD PANEL SHOULD BE POPULATED FROM THE BOTTOM UP, TO EASE FUTURE EXPANSION.
4. ALL UNUSED PANEL UNITS MUST BE LEFT COVERED WITH BLANK PANEL INSERTS.

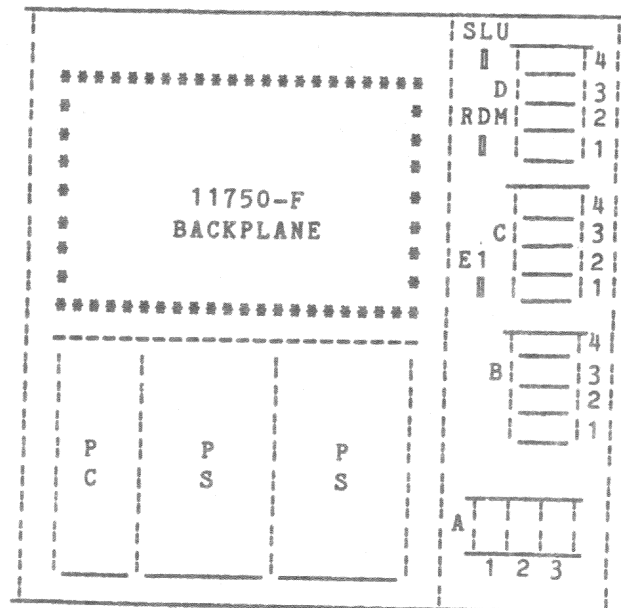


FIGURE #5 (VIEWED FROM REAR)

11750-F I/O BULKHEAD PANEL LAYOUT

TITLE										DOCUMENT NUMBER									
CONFIGURATION CONTROL										SIZE CODE NUMBER									
11750-F SYSTEMS										K SA 11750-F-0									
SHEET 4 OF 7										REV. A									

TW

GENERAL CONFIGURATION CONTROL INFORMATION FOR THE 11750-F SYSTEMS

DEC POWER CONTROL BUS CABLING:

TABLE #2

CABINET	FROM	TO	REMARKS
UBA#0-CAB 1	875 NORMAL-CPU	877 J8-CAB 1	SEE NOTES 1&2
UBA#0-CAB 2	877 J9-CAB 1	877 J8-CAB 2	
CI750	875 DELAYED-CPU	877 J8-CI750	SEE NOTE 1
UBA#1-CAB 1	875 DELAYED-CPU OR 877 J9-CI750	877 J8-CAB 1	SEE NOTE 1
UBA#1-CAB 2	877 J9-CAB 1	877 J8-CAB 2	

NOTES:

1. THE POWER CONTROL BUS CABLE(S) CONNECTED TO THE 875 POWER CONTROLLER MUST BE ROUTED INSIDE THE ENCLOSURES.
2. THE 6' CABLE PROVIDED WITH THE 11750-F IS TO BE USED FOR CONTINUATION OF THE POWER CONTROL BUS TO THE FIRST EXPANDER CABINET MOUNTED TO THE LEFT OF THE CPU.

d i g i t a l	TITLE	DOCUMENT NUMBER
	CONFIGURATION CONTROL 11750-F SYSTEMS	SHEET 5 OF 7
	SIZE CODE NUMBER	REV.
	K SA 11750-F-0	A

TW

GENERAL CONFIGURATION CONTROL INFORMATION FOR THE 11750-F SYSTEMS

UNIBUS CABLE ROUTING - EXPANDED SYSTEM:

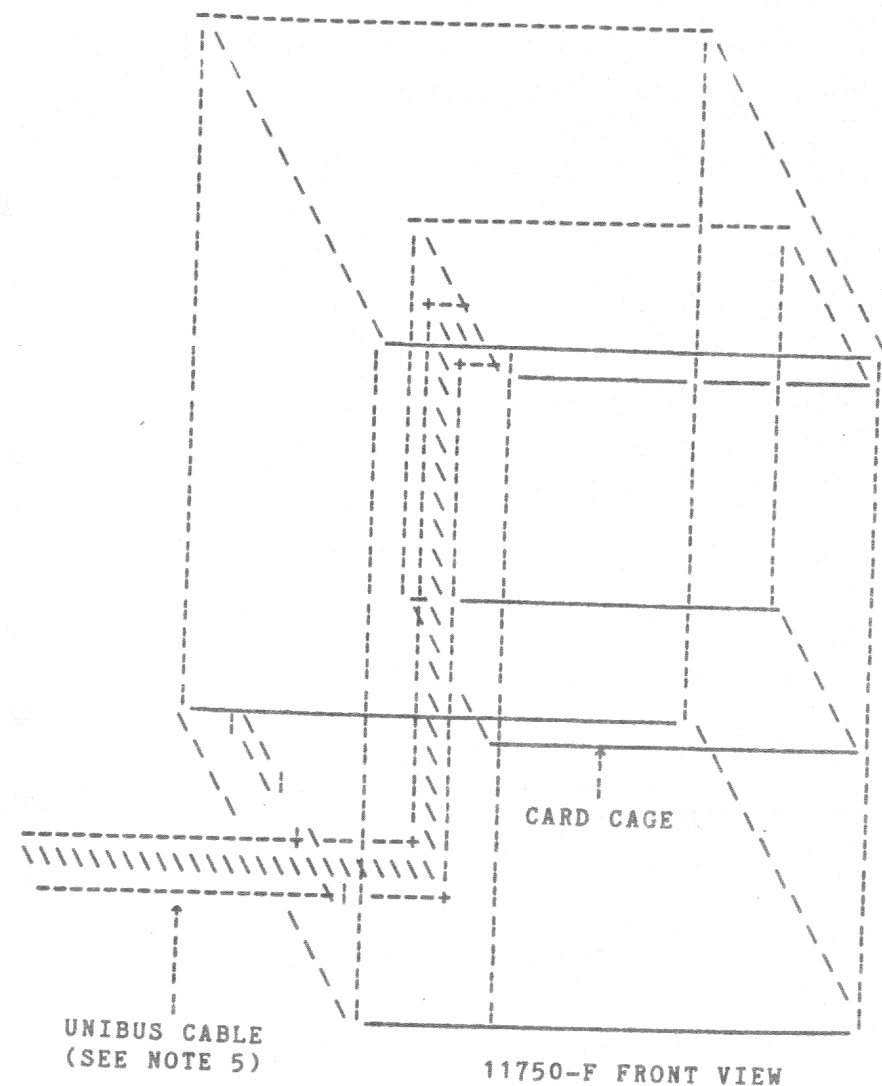


FIGURE #6

1. REMOVE TERMINATOR MODULE FROM SLOT 9 OF DD11-DK.
2. INSTALL UNIBUS CABLE (PROVIDED WITH EXPANDER BOX) IN SLOT 9-A&B OF DD11-DK.
3. ROUTE CABLE BEHIND THE CABLE MANAGEMENT BRACKETS TO BASE OF CABINET PASS THE CABLE THROUGH THE FRONT CABLE DUCT (SEE FIG. #6) TO THE EXPANDER CABINET. INSTALL IN SLOT 1-A&B OF THE FIRST DD11-DK IN THE EXPANDER BOX.
4. INSTALL THE TERMINATOR IN THE LAST SLOT OF THE LAST DD11 IN THE EXPANDER BOX.
5. REFERENCE H9642-F DOCUMENTATION FOR EXPANDER CABINET INSTALLATION AND CABLE ROUTING.

d i g i t a l	TITLE	CONFIGURATION CONTROL 11750-F SYSTEMS	SHEET 6 OF 7	DOCUMENT NUMBER	
					SIZE: CODE: NUMBER
				K SA 11750-F-0	A

TW

GENERAL CONFIGURATION CONTROL INFORMATION FOR THE 11750-F SYSTEMS

BATTERY BACKUP (H7112) INSTALLATION:

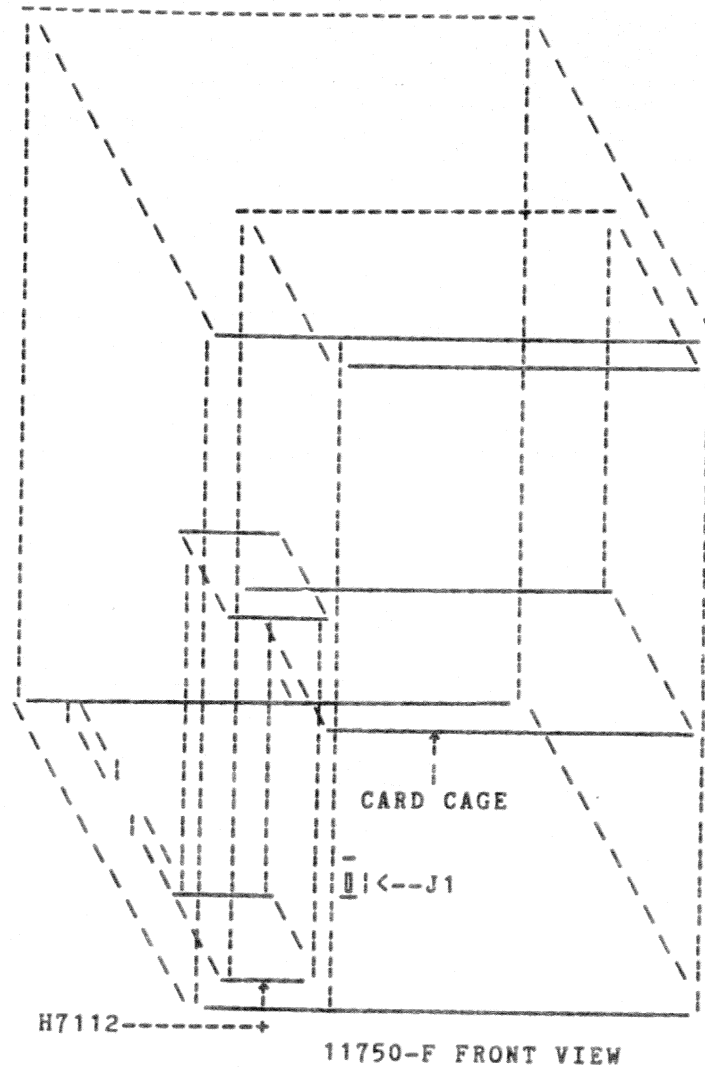


FIGURE #7

1. INSTALL THE BATTERY BACKUP UNIT ON THE TWO HORIZONTAL SUPPORT BRACKETS ATTACHED TO THE FRONT CABINET RAILS (SEE FIG. #7). POSITION THE UNIT SUCH THAT THE POWER ON/OFF SWITCH IS AT THE TOP. INSTALL WITH THE HARDWARE PROVIDED WITH THE OPTION.
2. ROUTE THE 3-WIRE CABLE (COILED AT BASE OF CABINET) TO THE BACK OF THE UNIT AND CONNECT P4 TO EITHER OF THE TWO 3-PIN JACKS ON THE H7112.
3. CONNECT THE H7112'S INTERCONNECT CABLE TO J1 (SEE FIG #7).
4. CONNECT THE H7112'S AC POWER CORD TO A RECEPTACLE ON THE 875 POWER CONTROLLER.

d i g i t a l	TITLE	CONFIGURATION CONTROL	DOCUMENT NUMBER
	11750-F SYSTEMS	SHEET 7 OF 7	SIZE CODE NUMBER K SA 11750-F-0
			REV. A

TW

GENERAL CONFIGURATION CONTROL INFORMATION FOR THE 11750-F SYSTEMS

INTRODUCTION:

TABLES #1 AND #2 LIST THE SUPPORTED INTRA CPU UNIBUS BACKPLANE CONTROLLER / INTERFACES. THE CONFIGURATION OF THESE CONTROLLERS / INTERFACES WITHIN THE 11750-F CABINET AND ITS I/O BULKHEAD PANEL IS CONTROLLED BY THE XCON PROGRAM. TABLE #1 LISTS INTRA BACKPLANE CONTROLLERS (E.G. RLO2, UDA50, ETC.). TABLE #2 LISTS THE COMMUNICATION TYPE CONTROLLERS (E.G. DZ11, DMF32, ETC.).

TABLE #1

NAME	DESCRIPTION	MOUNTING INFORMATION		REMARKS
		QTY & MODULE SIZE	I/O BULKHEAD PANEL INSERT SIZE	
UDA50-A	DISC CONTROLLER	2 HEX	2 INCH	SEE NOTE 1
RL11	RLO2 DISC CONTROLLER	1 HEX	2 INCH	
TU80	TAPE CONTROLLER	1 QUAD	2 INCH	SEE NOTE 1
LP11	LINE PRINTER CONTROLLER	1 QUAD	2 INCH	
VS100	VAX STATION INTERFACE	1 HEX	2 INCH	

NOTES:

1. THE OPTION MUST INCORPORATE THE I/O BULKHEAD PANEL INSERT. EARLIER UNITS NOT INCORPORATING THIS HARDWARE ARE NOT SUPPORTED.

ECO HISTORY				IDRN: R. NELSON	DATE: 6/22/83	DIGITAL			
ENGI	ECO NUMBER	REVI	ENGI	ECO NUMBER	REVI	CHK'D: K. BANKER	DATE: 6/22/83	TITLE	CONFIGURATION CONTROL
	INIT.	A				DES.ENG.: S. FOOTE	DATE: 6/22/83		11750-F SYSTEMS
						RESP.ENG.: S. FOOTE	DATE: 6/22/83	DOCUMENT NUMBER	
						MFG.ENG.: K. O'BRIEN	DATE: 6/22/83	SIZE	CODE
						FILE NAME: K-SA-11750-F-DBF		K	SA
								11750-F-1	REV.
									A
								SHEET 1 OF 2	

"THIS DRAWING AND SPECIFICATIONS HEREIN, ARE THE PROPERTY OF DIGITAL EQUIPMENT CORPORATION AND SHALL NOT BE REPRODUCED OR COPIED OR USED IN WHOLE OR IN PART AS THE BASIS FOR THE MANUFACTURE OR SALE OF ITEMS WITHOUT WRITTEN PERMISSION. COPYRIGHT (C) 1983 DIGITAL EQUIPMENT CORPORATION"

GENERAL CONFIGURATION CONTROL INFORMATION FOR THE 11750-F SYSTEMS

TABLE #2

NAME	DESCRIPTION	MOUNTING INFORMATION		REMARKS
		QTY & MODULE SIZE	I/O BULKHEAD PANEL INSERT SIZE	
DE"NA	ETHERNET INTERCONNECT	2 HEX	4 INCH	
DMF32-LP	COMM OPTION	1 HEX	8 INCH	
DMP11-AP	EIA	2 HEX	2 INCH	
DMP11-BP	V.35 OPTION	2 HEX	2 INCH	
DMP11-CP	INTEGRAL MODEM	2 HEX	4 INCH	
DMP11-EP	RS422 OPTION	2 HEX	2 INCH	
DMP11-FP	RS423 OPTION	2 HEX	4 INCH	
DMR11-AP	RS232 W/ MDM CTRL	2 HEX	2 INCH	
DMR11-BP	V.35 OPTION	2 HEX	2 INCH	
DMR11-CP	INTEGRAL MODEM	2 HEX	4 INCH	
DMR11-EP	RS422 OPTION	2 HEX	2 INCH	
DMR11-FP	RS423 OPTION	2 HEX	4 INCH	
DUP11-AP	DUP11 SINGLE	1 HEX	2 INCH	
DYK2D-AM	LINE PROGRAMABLE SYNC INTER. DEC DATAWAY 11750	4 HEX	2 - 2 INCH	SEE NOTE 1
DZ11-DP	RS232 8 LINE DBL BUF ASYNC	1 HEX	8 INCH	
DZ11-HP	20 MA 8 LINE MUX	1 HEX	8 INCH	
DZ32-AP	EIA 8 LINE uPROC MUX	1 HEX	8 INCH	
DZS11-EA	TERMINAL CONCENTRATOR	1 HEX	2 INCH	SEE NOTE 1

NOTES:

1. THE OPTION MUST INCORPORATE THE I/O BULKHEAD PANEL INSERT. EARLIER UNITS NOT INCORPORATING THIS HARDWARE ARE NOT SUPPORTED.

d	i	g	i	t	a	i	TITLE	CONFIGURATION CONTROL	DOCUMENT NUMBER
							11750-F SYSTEMS	SHEET 2 OF 2	SIZE CODE NUMBER
									K SA 11750-F-1
									REV. A

TW

