

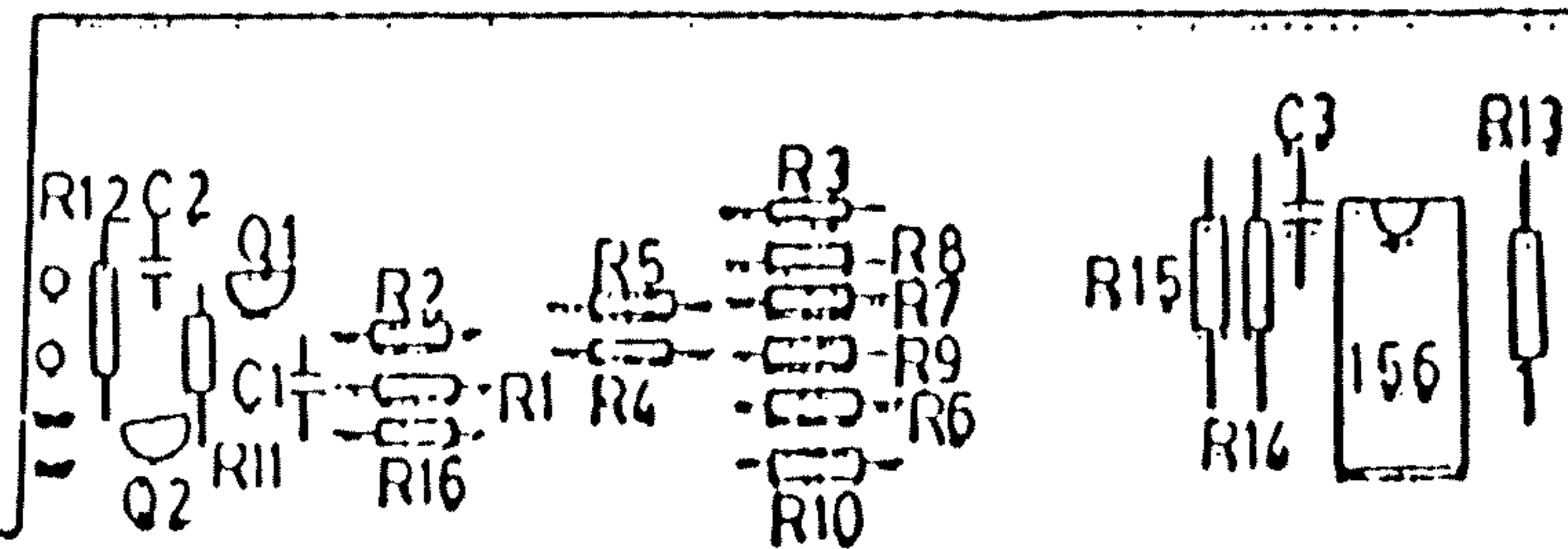
Anlage C:

Schaltplan GENIE III

(C) by EACA

**CONFIDENTIAL PROPRIETARY DATA**

These drawings and/or specifications, and the data contained therein are the exclusive property of EACA Computer Ltd. issued in strict confidence and shall not without the prior written permission of EACA Computer Ltd. be shown or disclosed in any manner to any other person, or be copied, reproduced or used for any purpose whatsoever except in the maintenance and repair of equipment manufactured by EACA Computer Ltd.



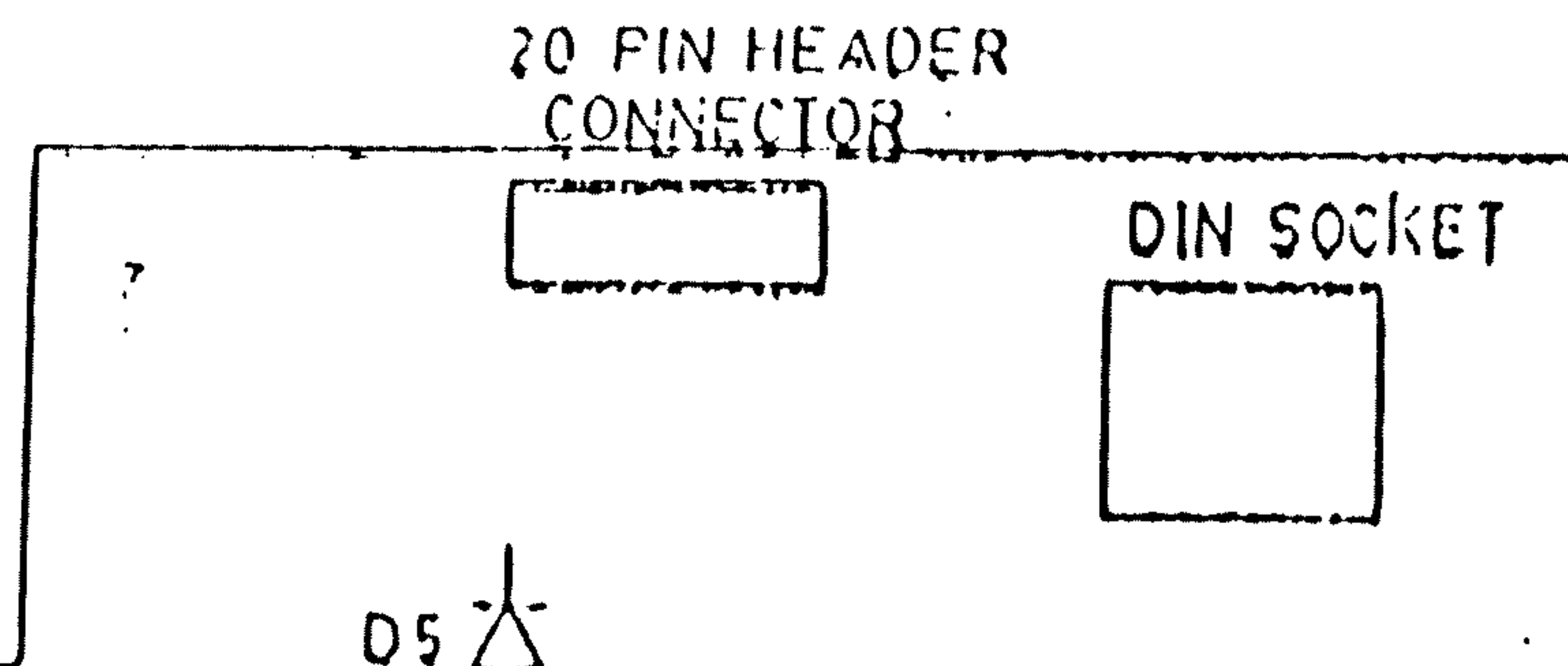
COMPONENT SIDE

KEY BOARD COMPONENT LAYOUT

PAGE 1 OF 3

**CONFIDENTIAL PROPRIETARY DATA**

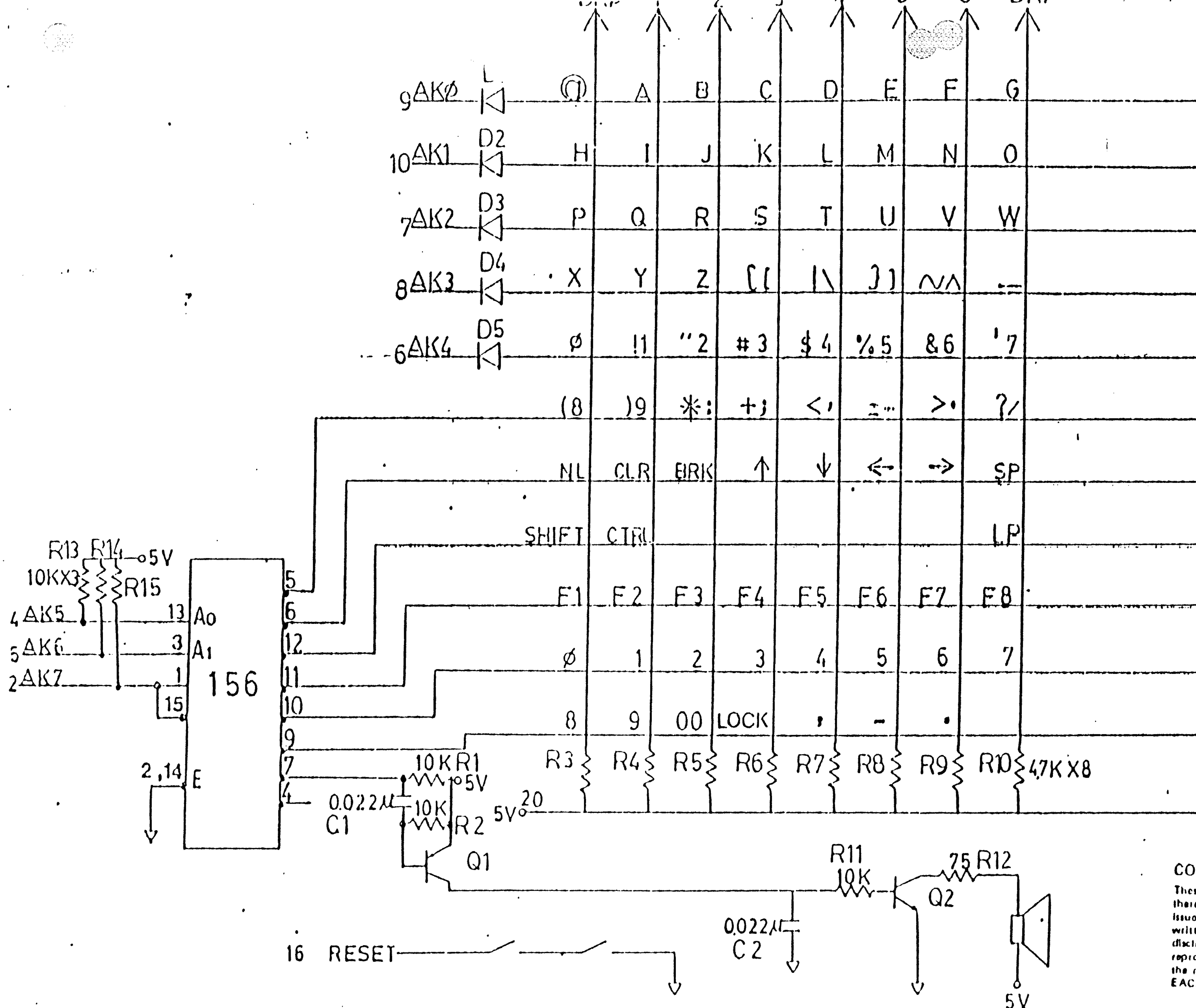
These drawings and/or specifications, and the data contained therein are the exclusive property of EACA Computer Ltd. Issued in strict confidence and shall not without the prior written permission of EACA Computer Ltd. be shown or disclosed in any manner to any other person, or be copied, reproduced or used for any purpose whatsoever except in the maintenance and repair of equipment manufactured by EACA Computer Ltd.



SOLDERING SIDE

KEY BOARD COMPONENT LAYOUT

PAGE 2 OF 3



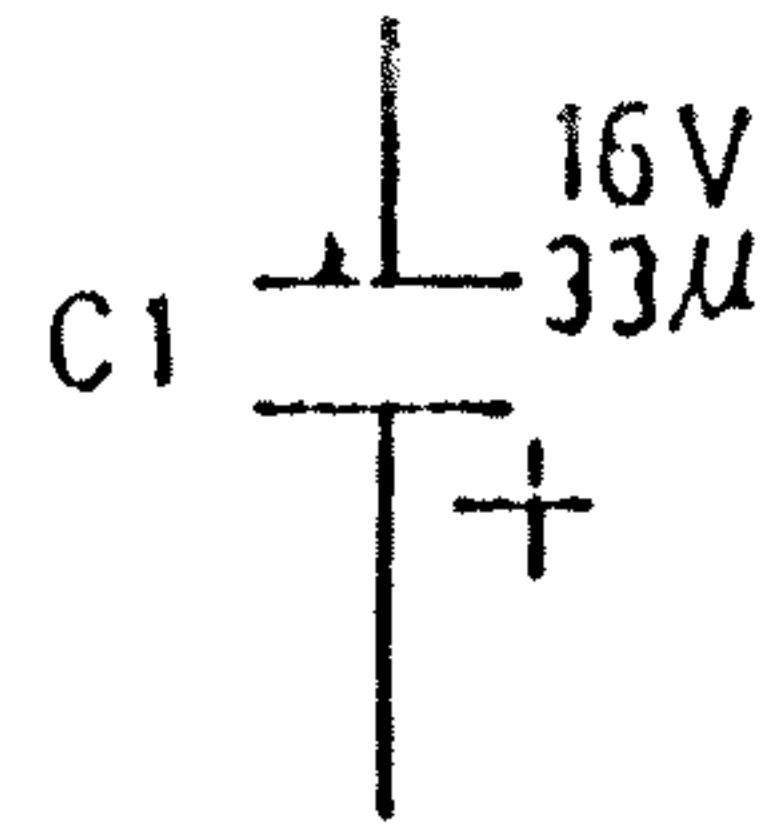
18 LIGHTPEN

GENIE III KEYBOARD

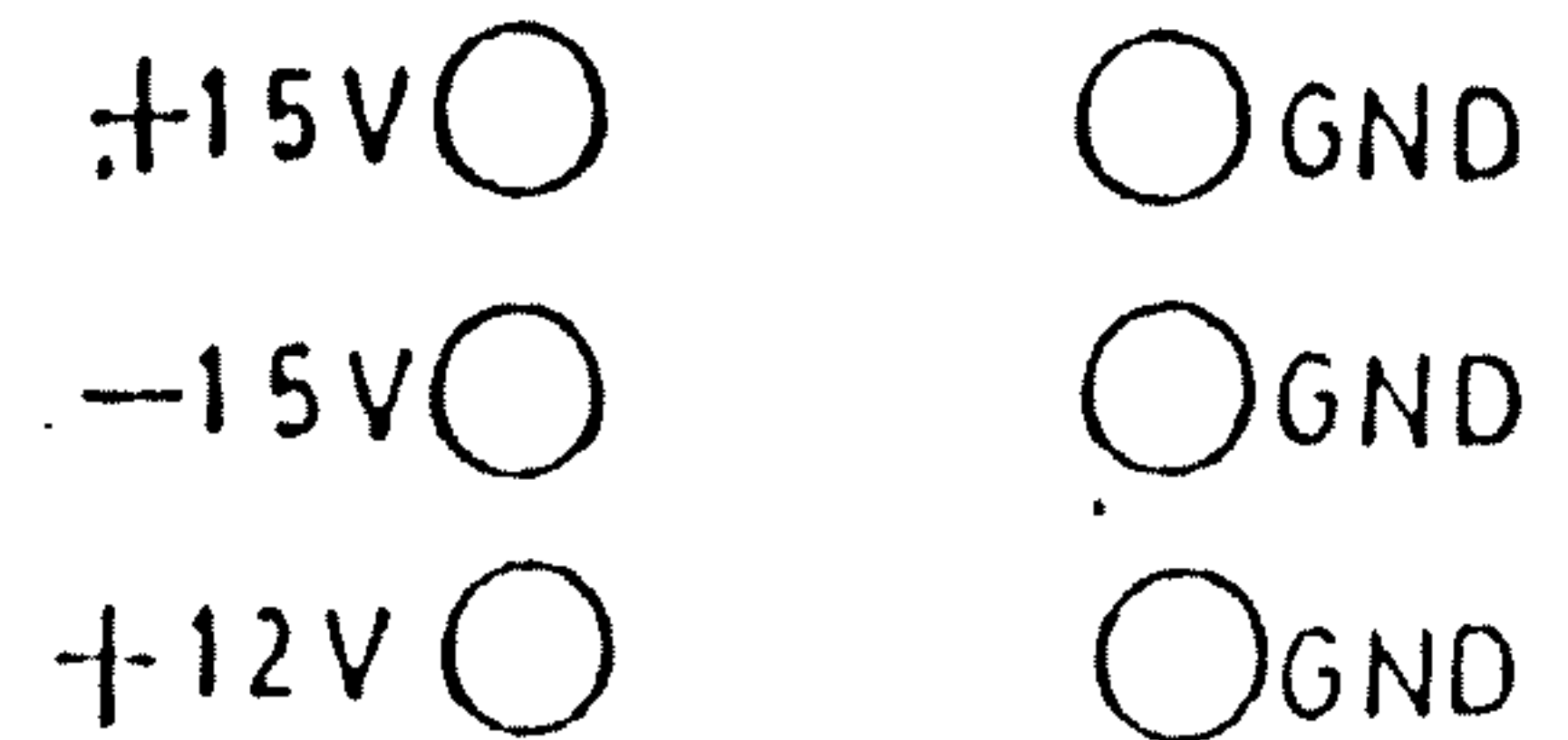
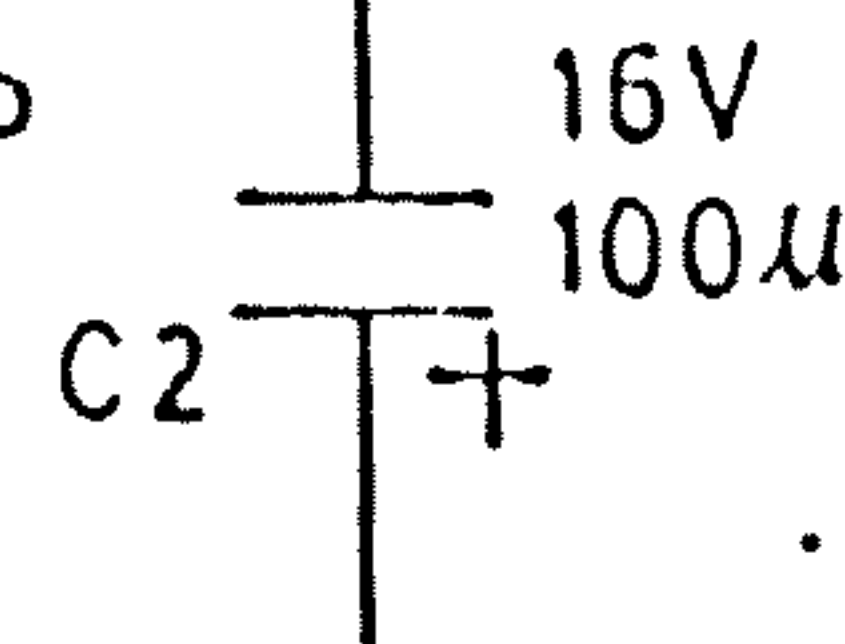
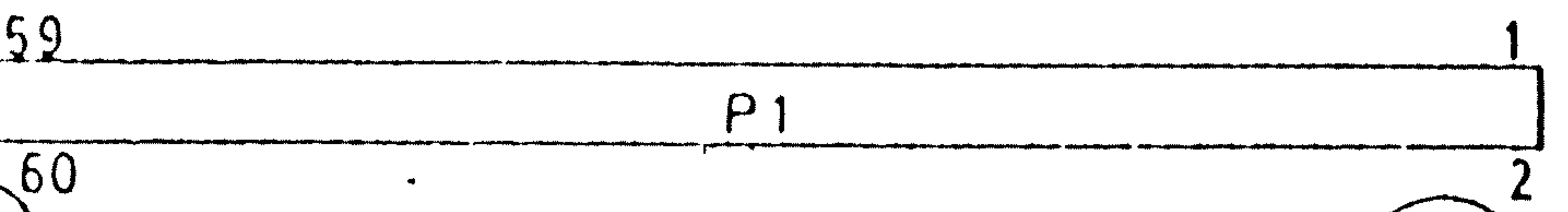
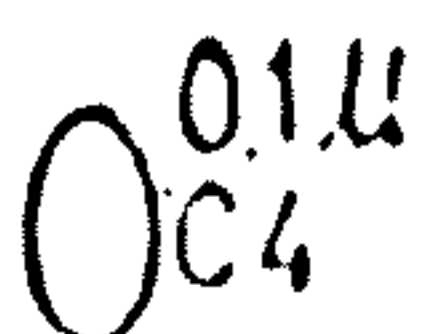
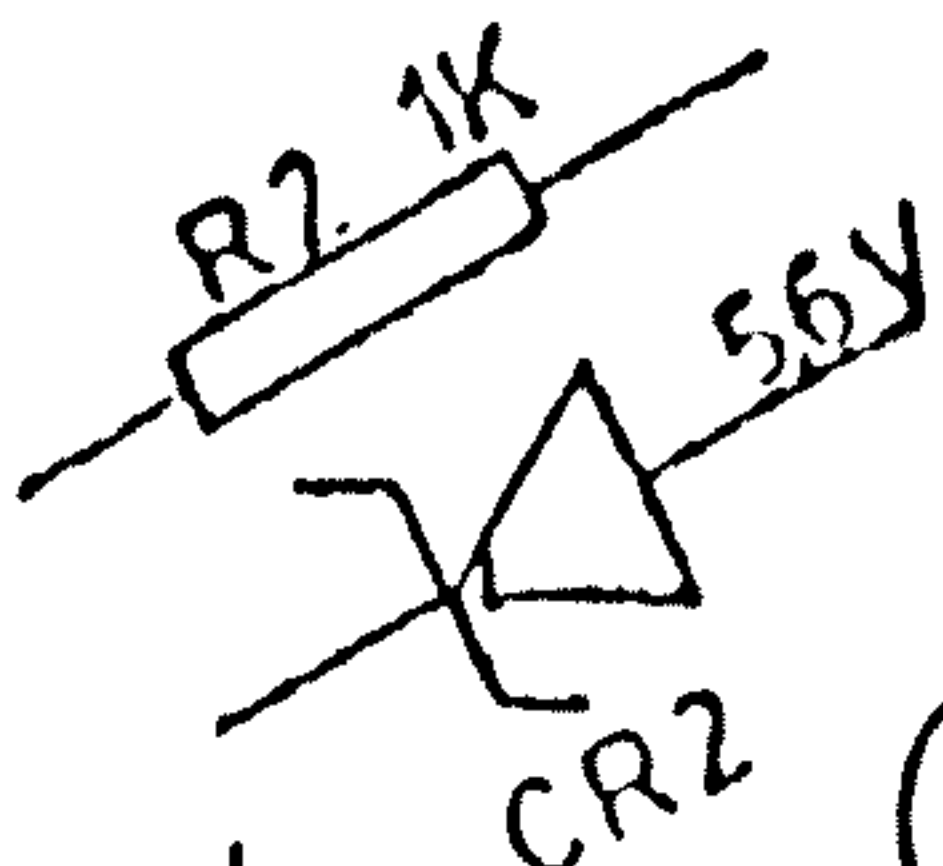
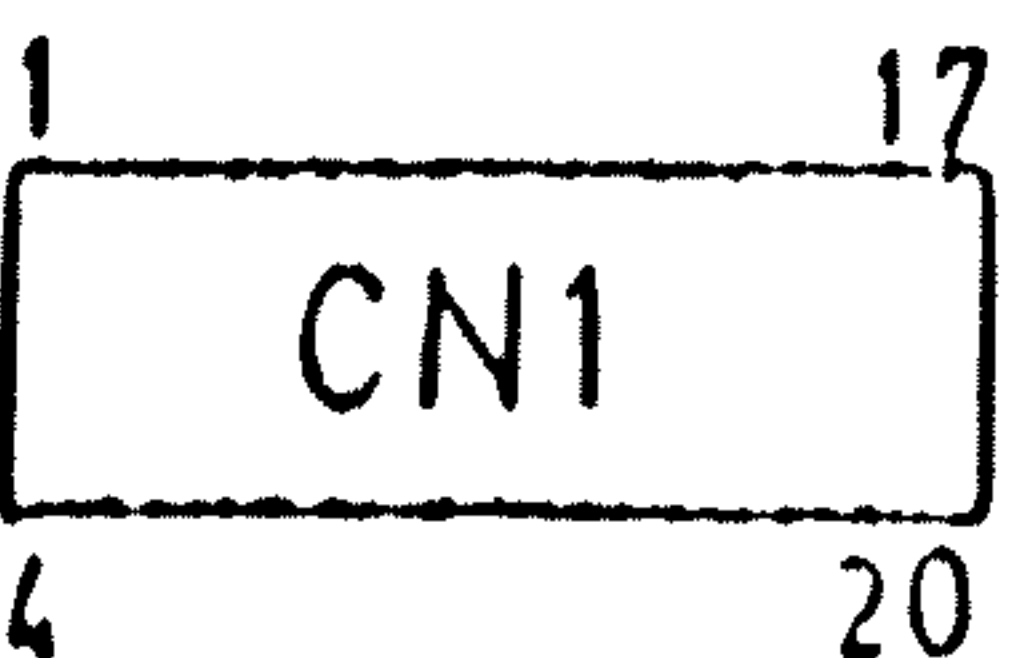
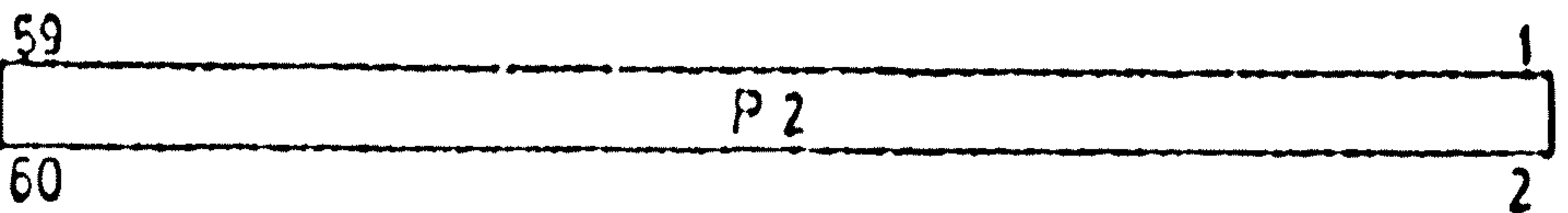
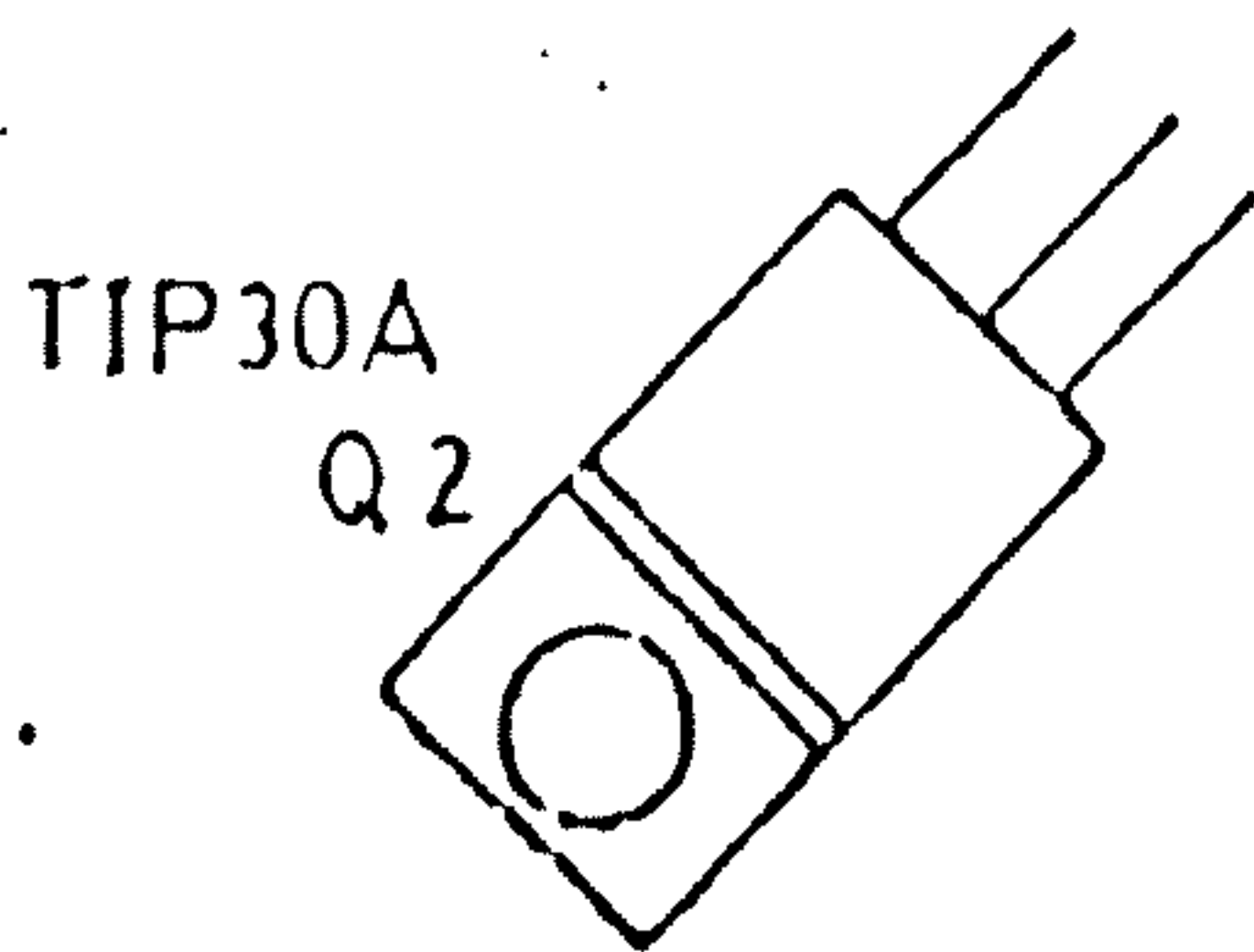
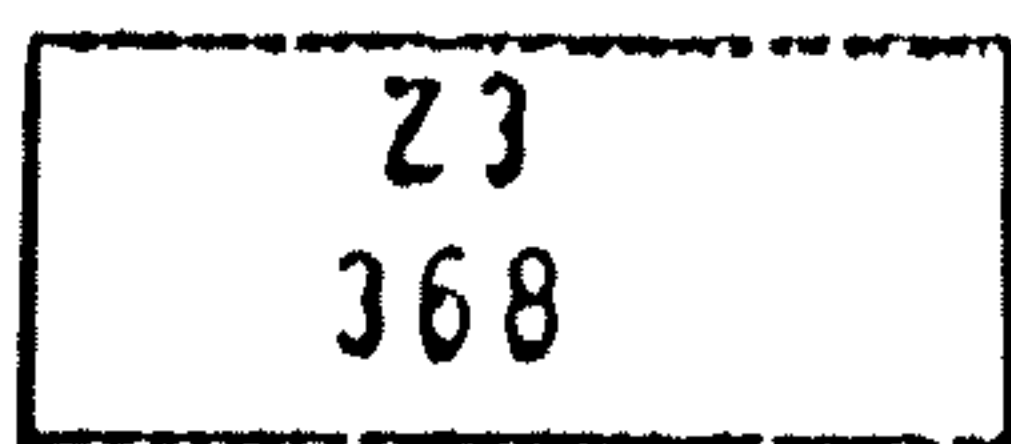
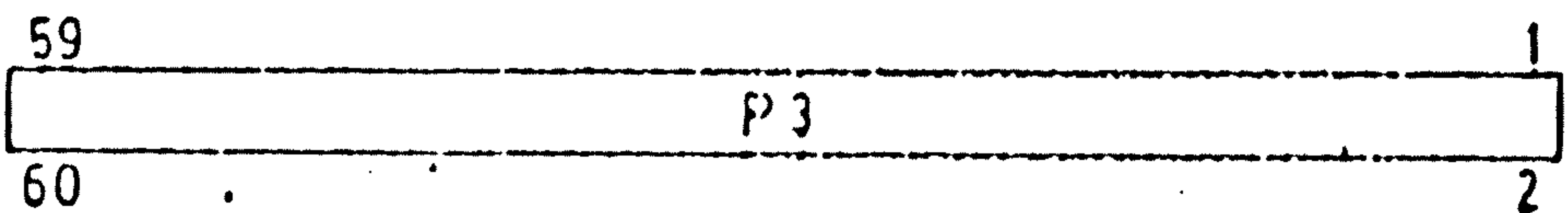
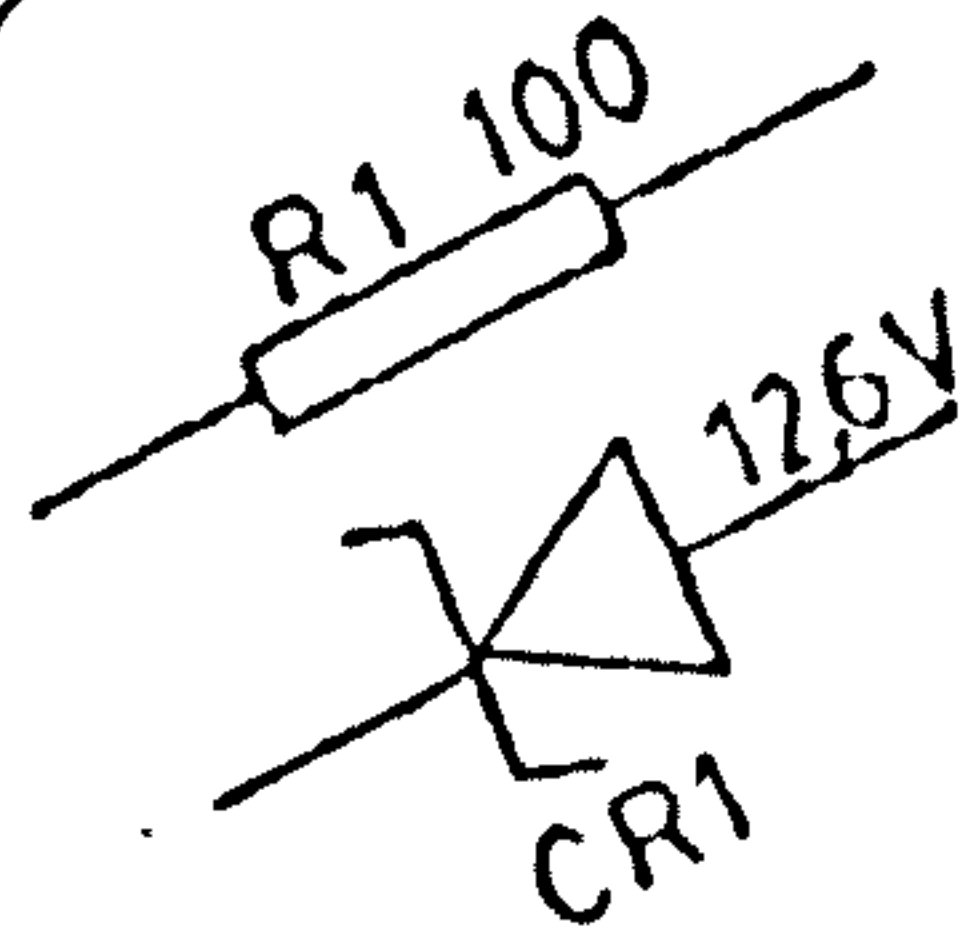
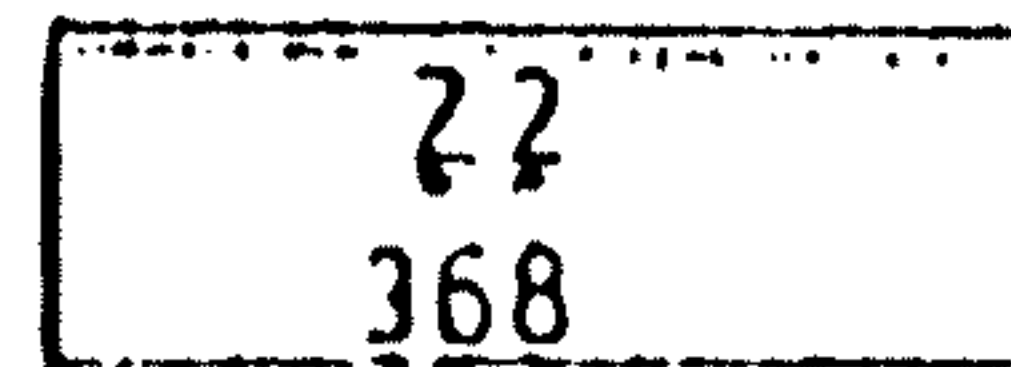
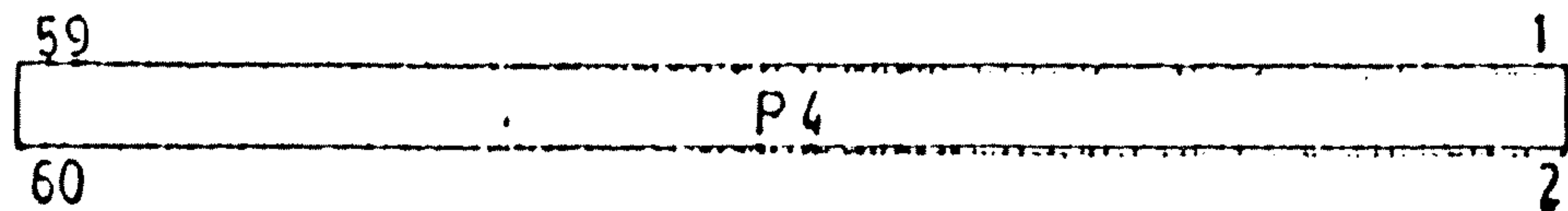
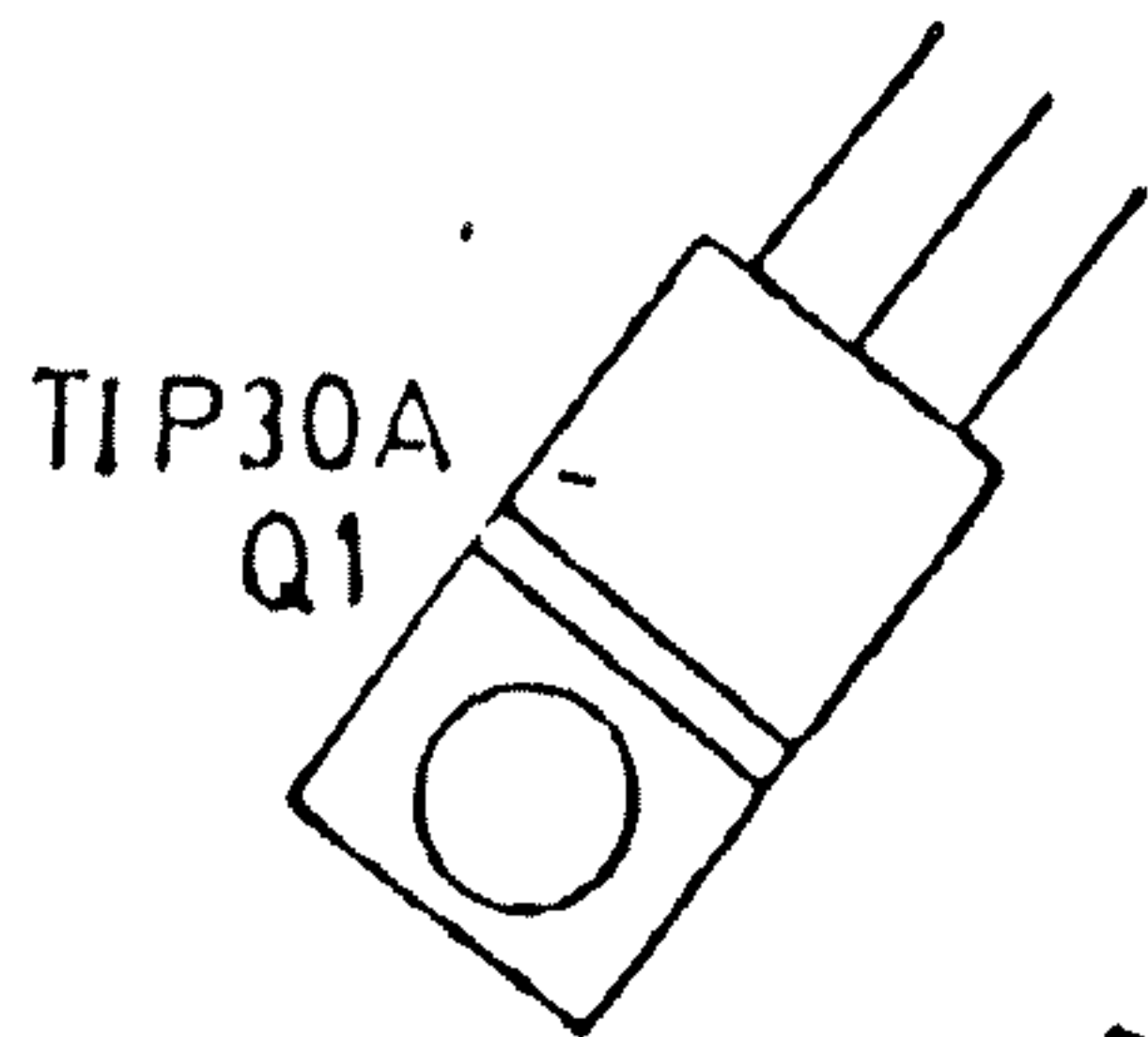
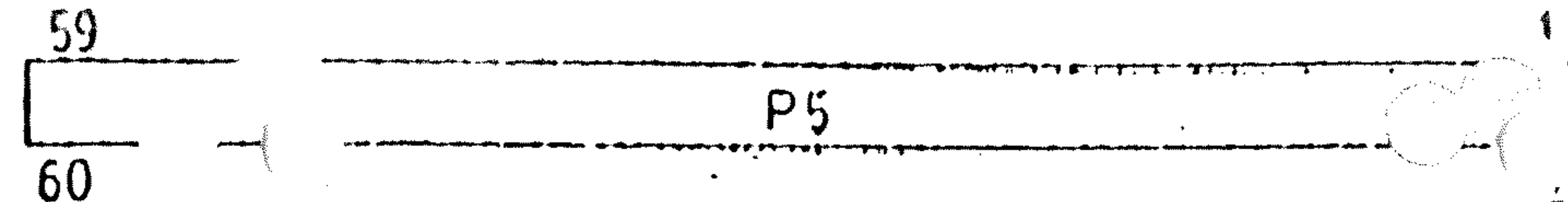
**CONFIDENTIAL PROPRIETARY DATA**  
 These drawings and/or specifications, and the data contained therein are the exclusive property of EACA Computer Ltd. Issued in strict confidence and shall not without the prior written permission of EACA Computer Ltd. be shown or disclosed in any manner to any other person, or be copied, reproduced or used for any purpose whatsoever except in the maintenance and repair of equipment manufactured by EACA Computer Ltd.

CONFIDENTIAL PROPRIETARY DATA

These drawings and/or specifications, and the data contained therein are the exclusive property of EACA Computer Ltd. issued in strict confidence and shall not without the prior written permission of EACA Computer Ltd. be shown or disclosed in any manner to any other person, or be copied, reproduced or used for any purpose whatsoever except in the maintenance and repair of equipment manufactured by EACA Computer Ltd.



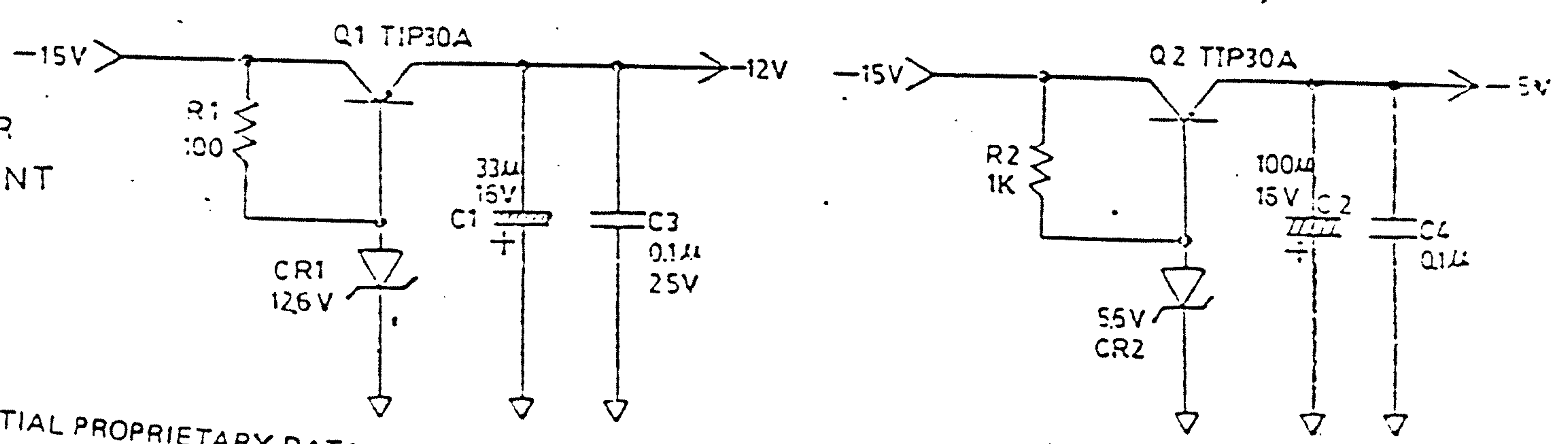
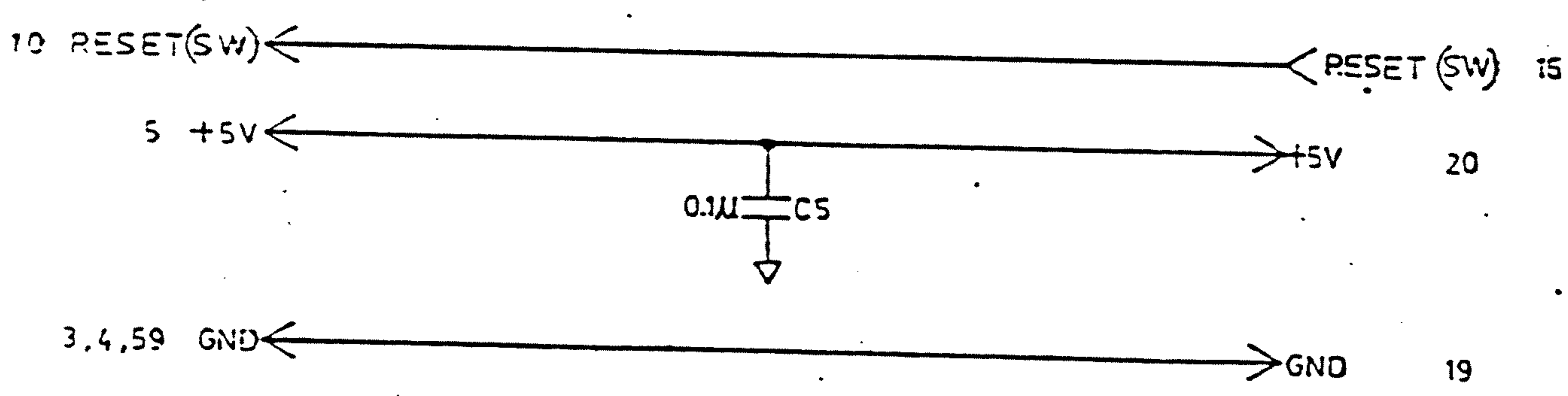
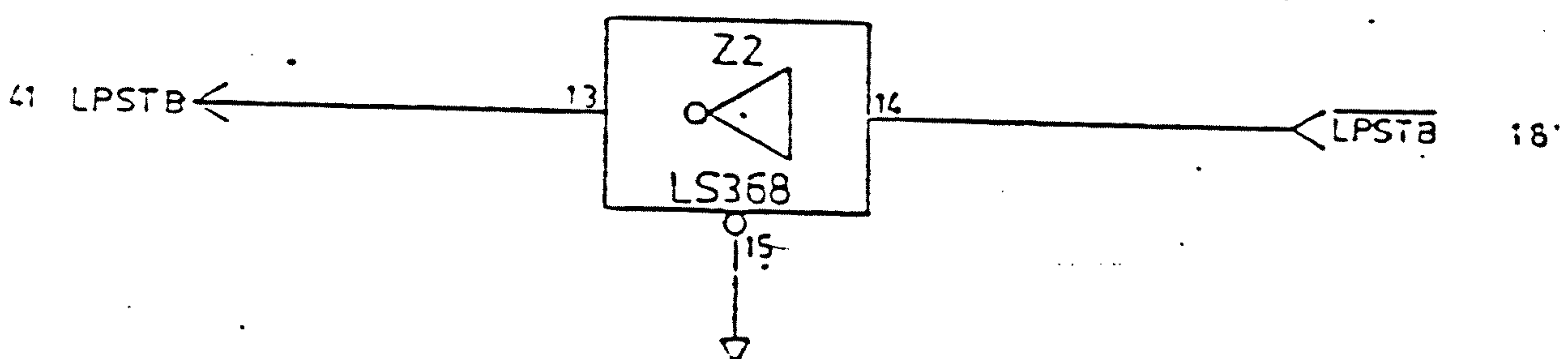
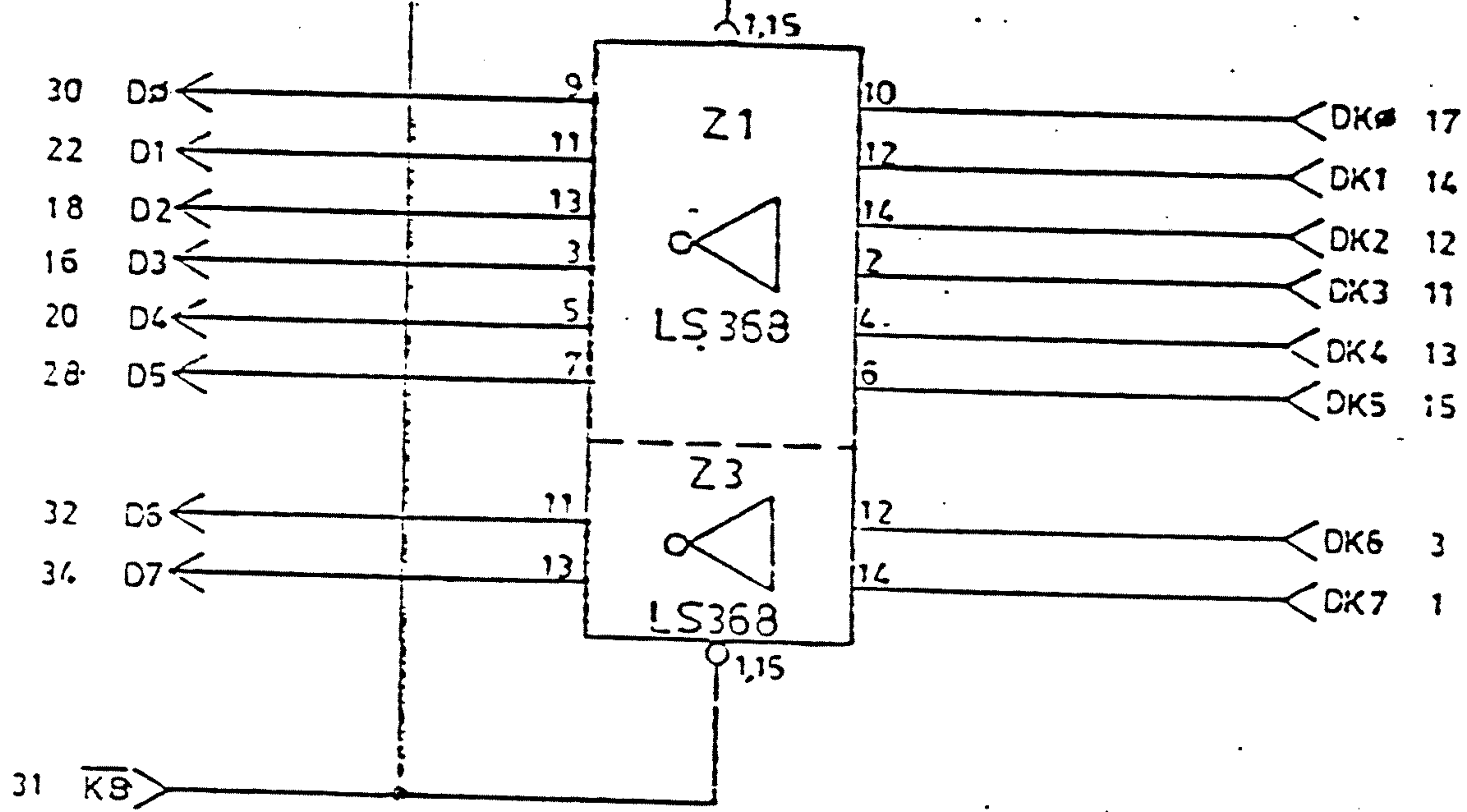
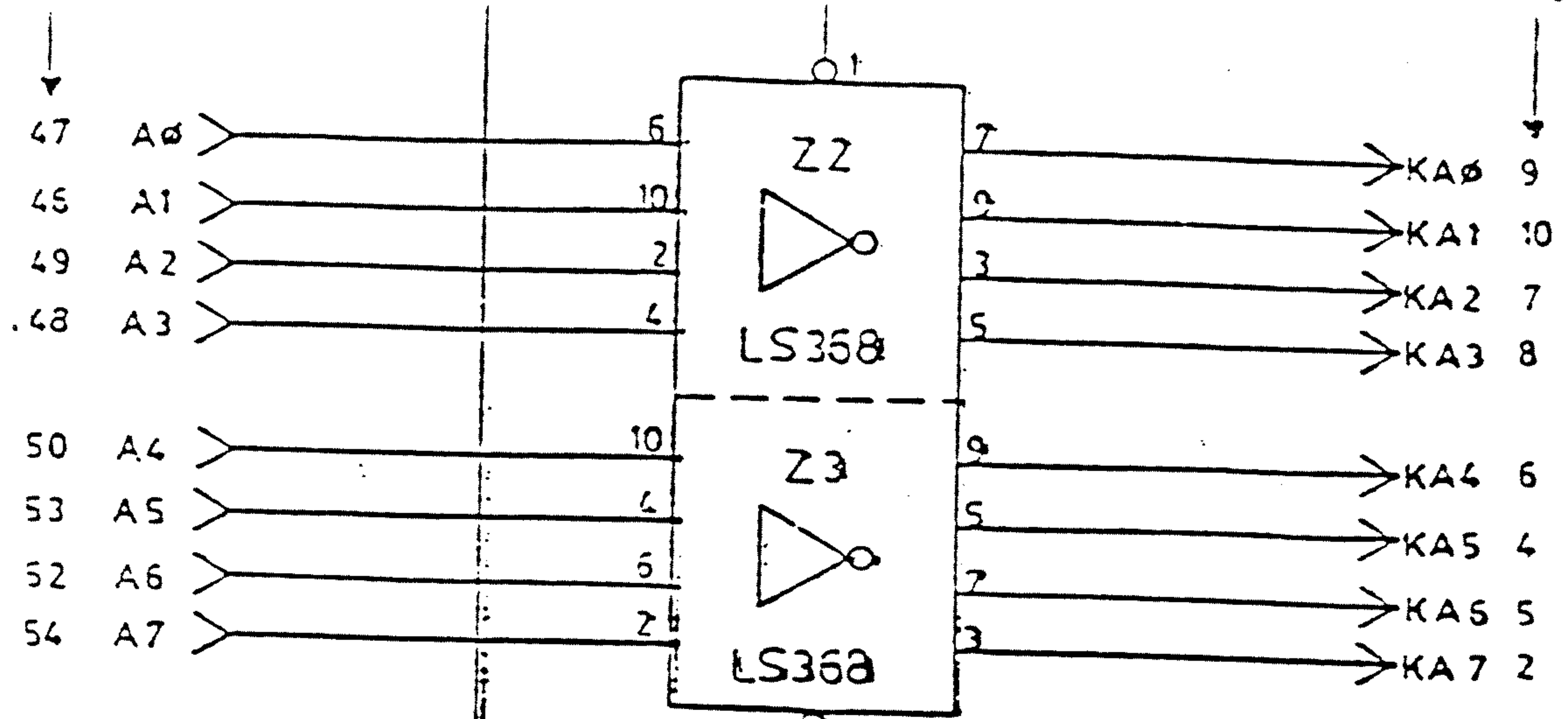
0



TO POWER SUPPLY

GENIE III MOTHER BOARD  
COMPONENT LAYOUT

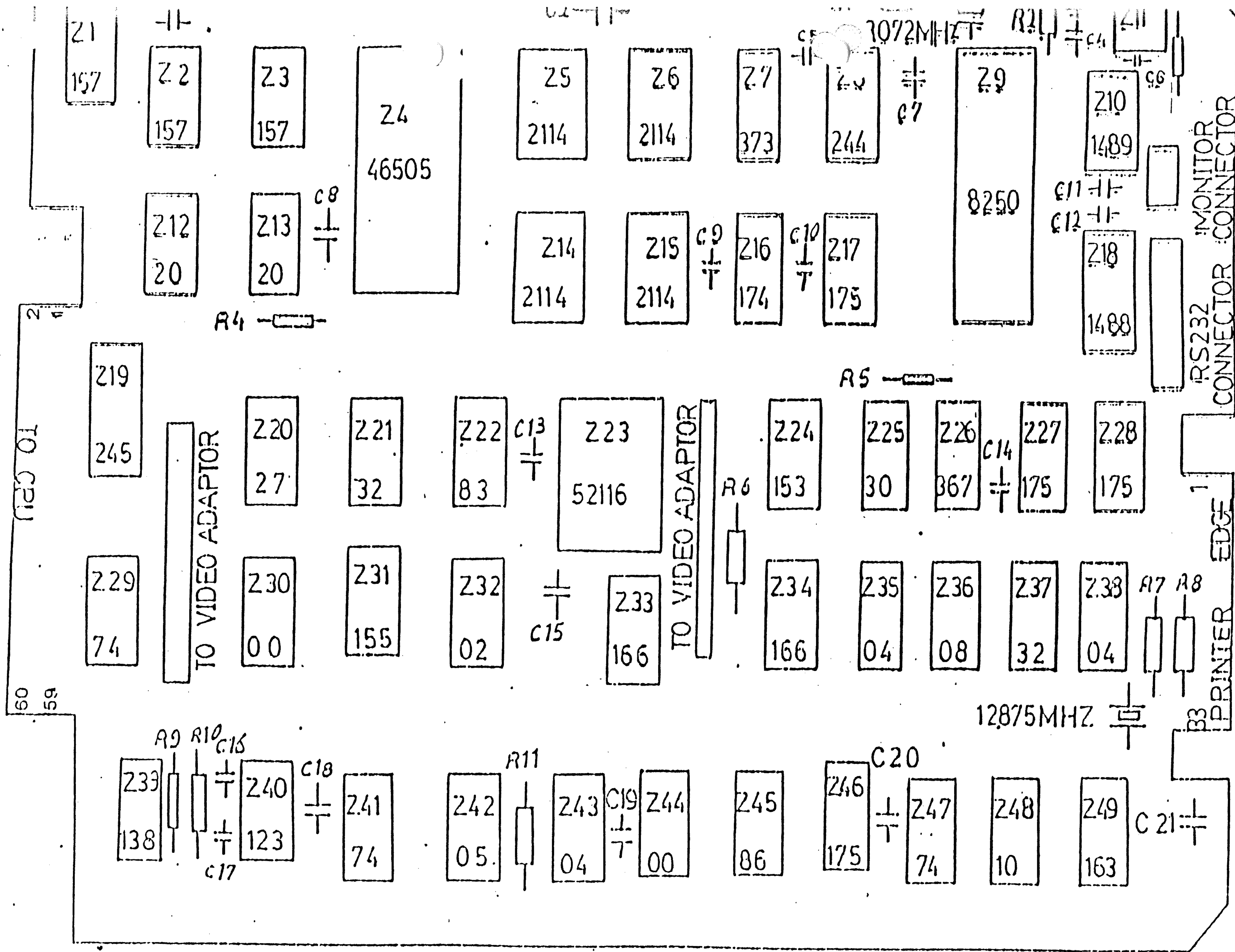
CONNECTOR 20 PIN TO KEYBOARD



ENIE III MOTHER BOARD COMPONENT LAYOUT

PAGE 2 OF 2

CONFIDENTIAL PROPRIETARY DATA  
 These drawings and/or specifications, and the data contained therein are the exclusive property of EACA Computer Ltd. issued in strict confidence and shall not without the prior written permission of EACA Computer Ltd. be disclosed in any form.

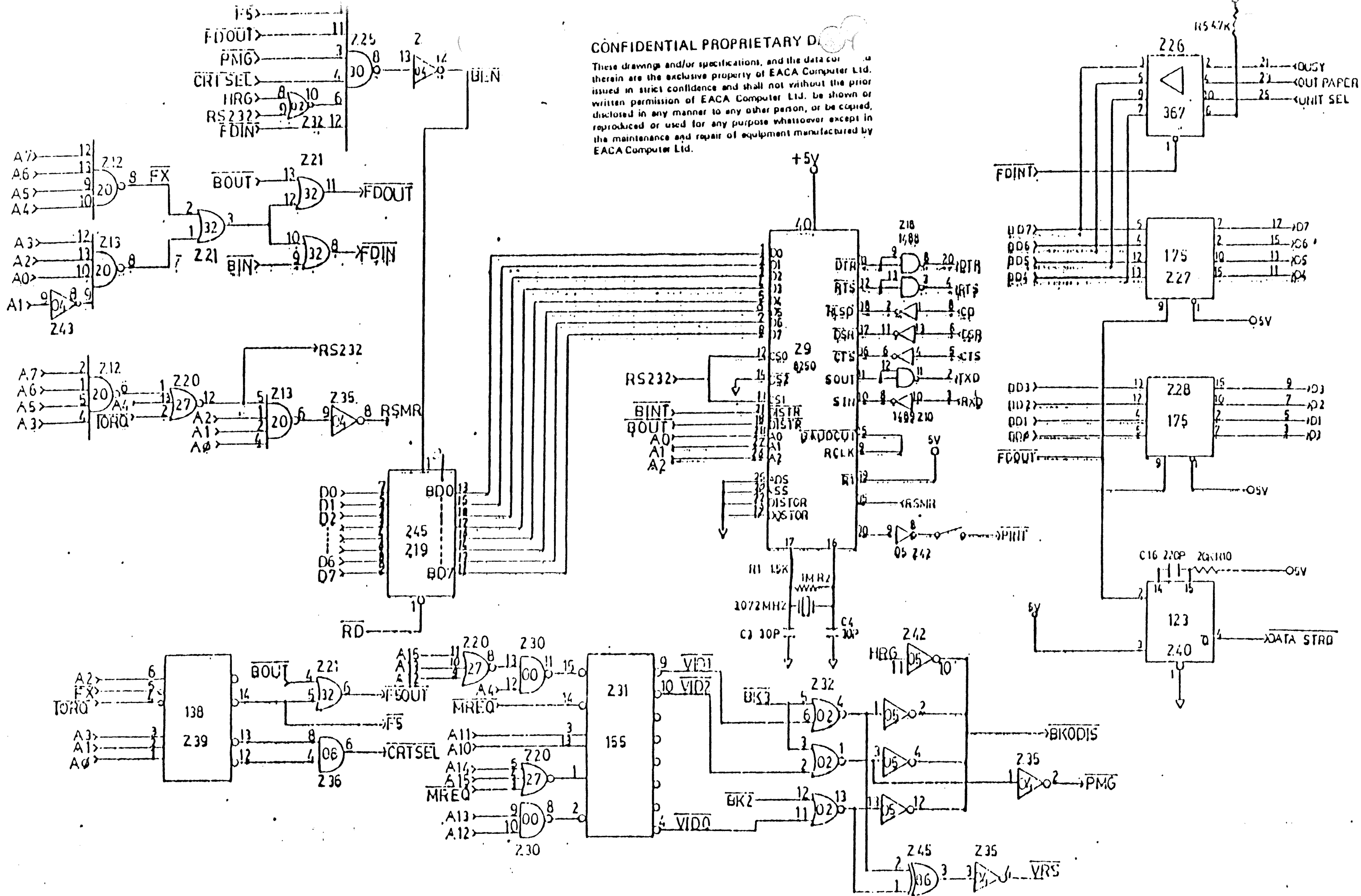


GENIE III

INTERFACE 1

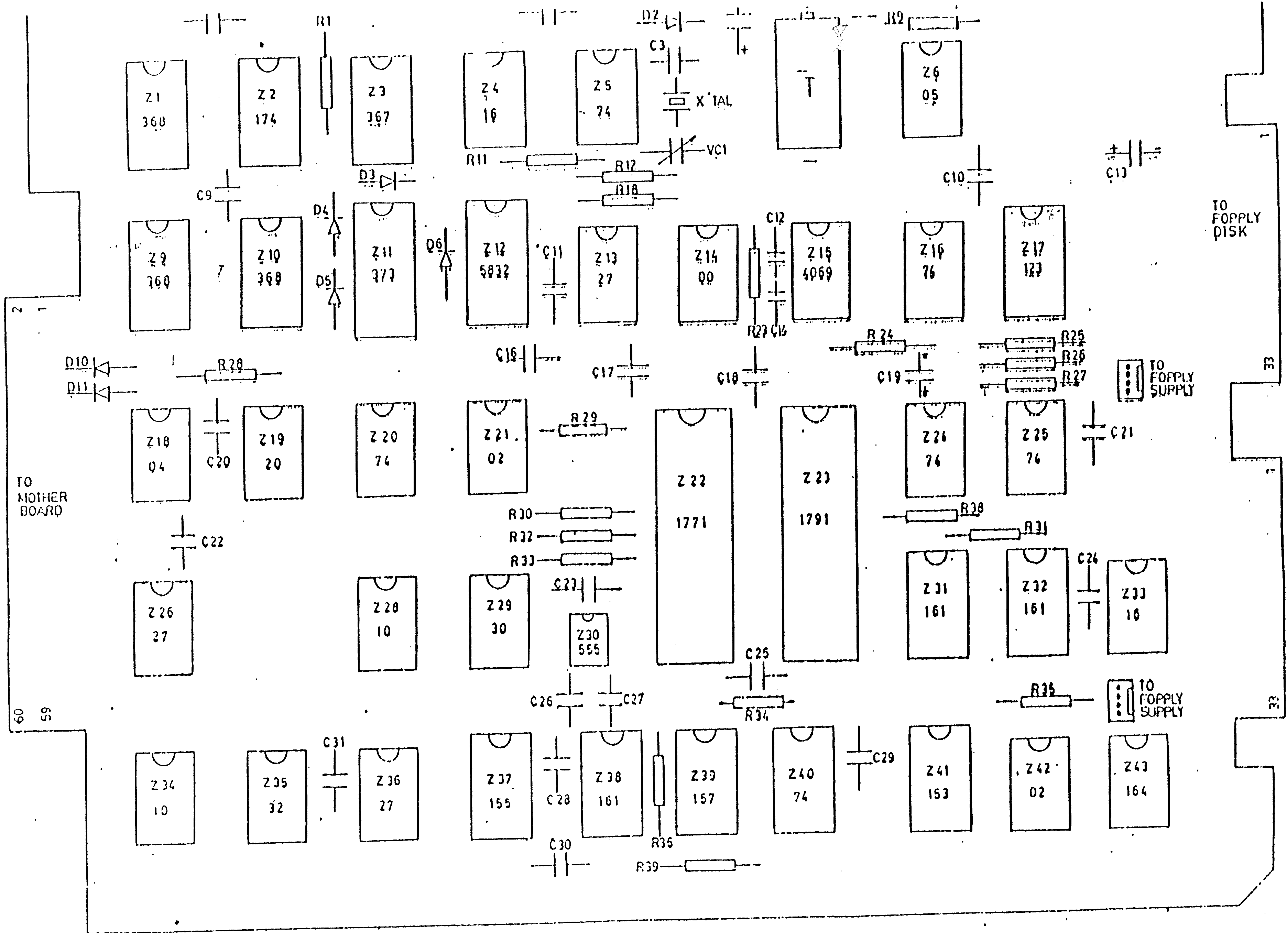
CONFIDENTIAL PROPRIETARY DOCUMENT

These drawings and/or specifications, and the data contained therein are the exclusive property of EACA Computer Ltd. issued in strict confidence and shall not without the prior written permission of EACA Computer Ltd. be shown or disclosed in any manner to any other person, or be copied, reproduced or used for any purpose whatsoever except in the maintenance and repair of equipment manufactured by EACA Computer Ltd.



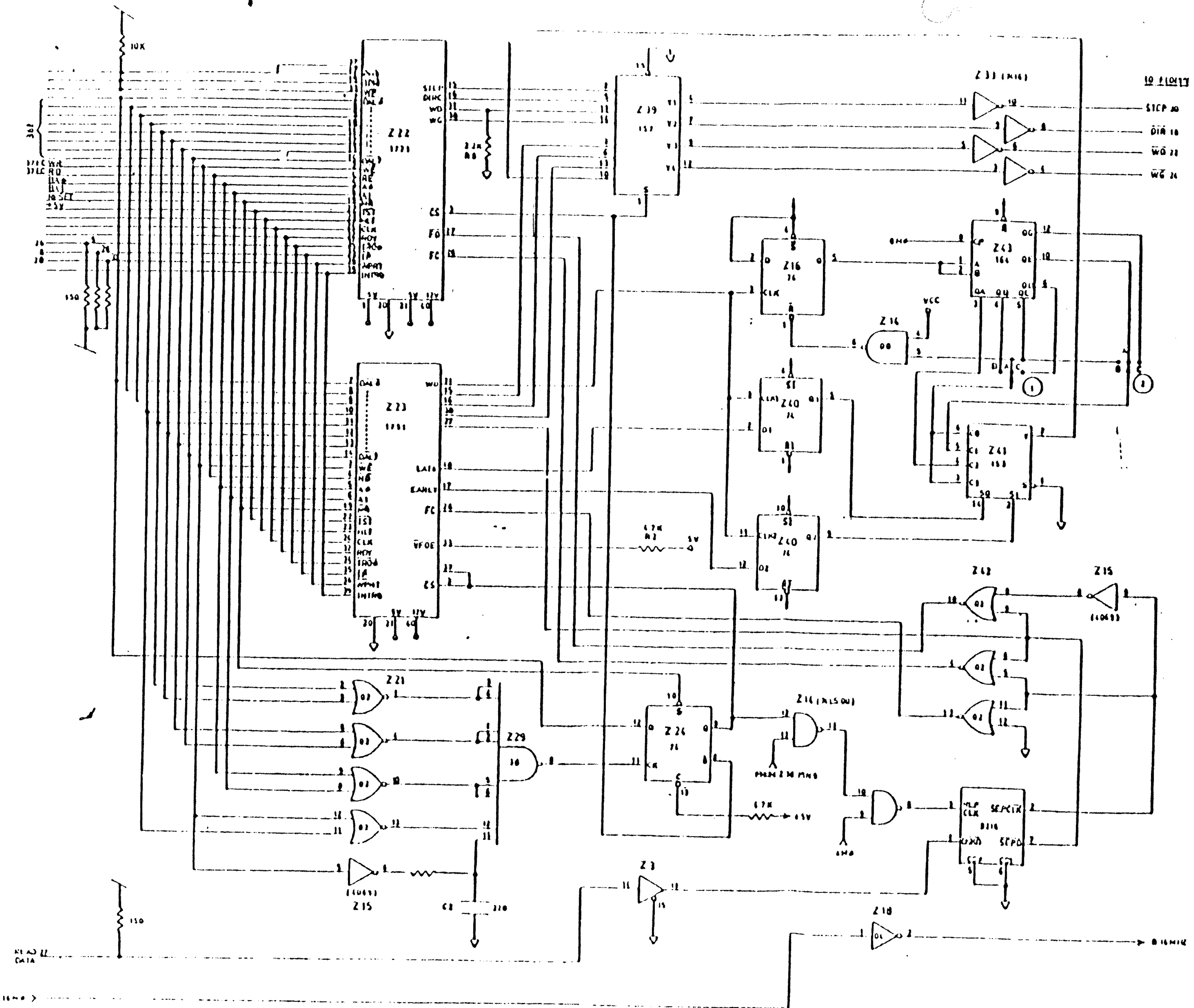






GENIE III INTERFACE BOARD

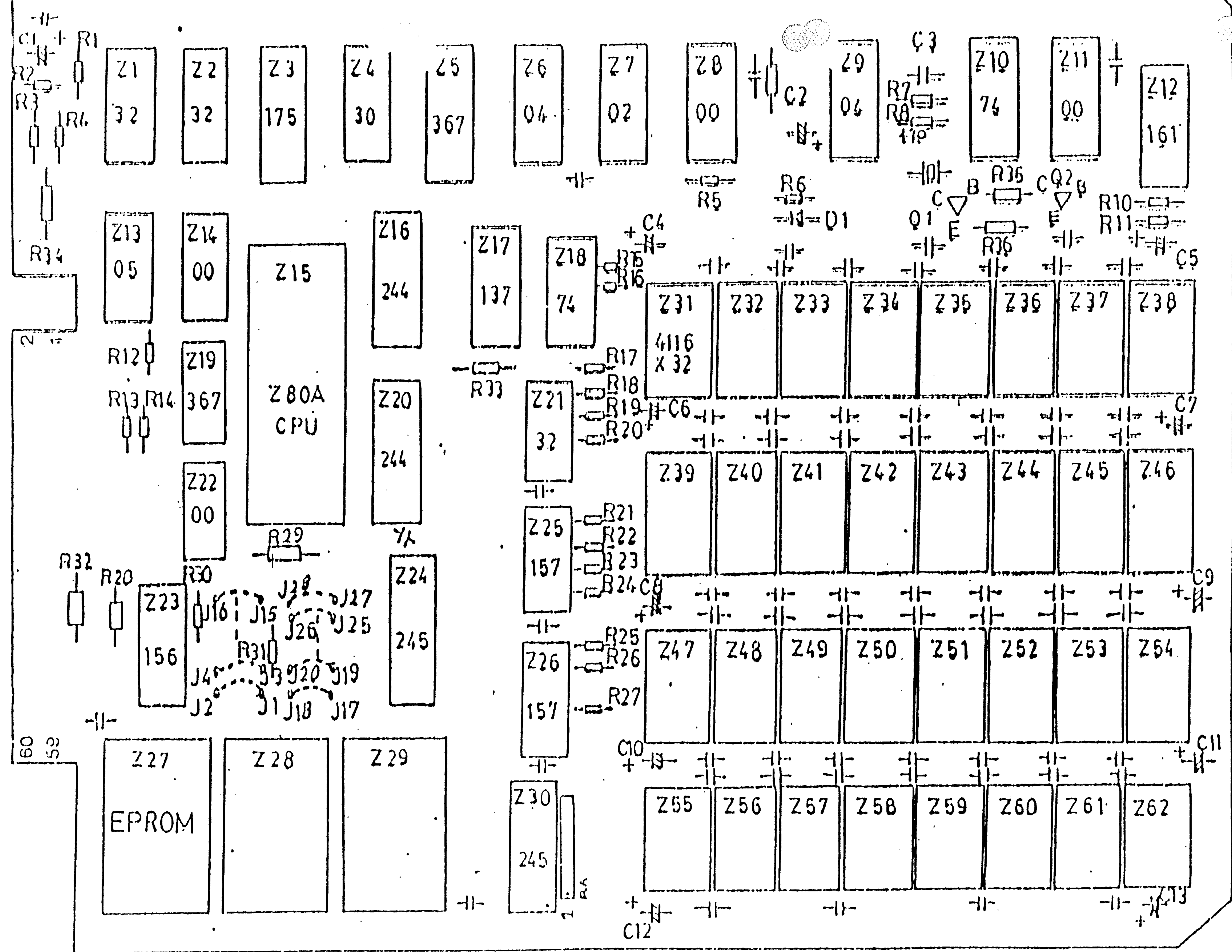
CONFIDENTIAL PROPRIETARY DATA  
These drawings and/or specifications, and the data contained



**CONFIDENTIAL PROPRIETARY DATA**

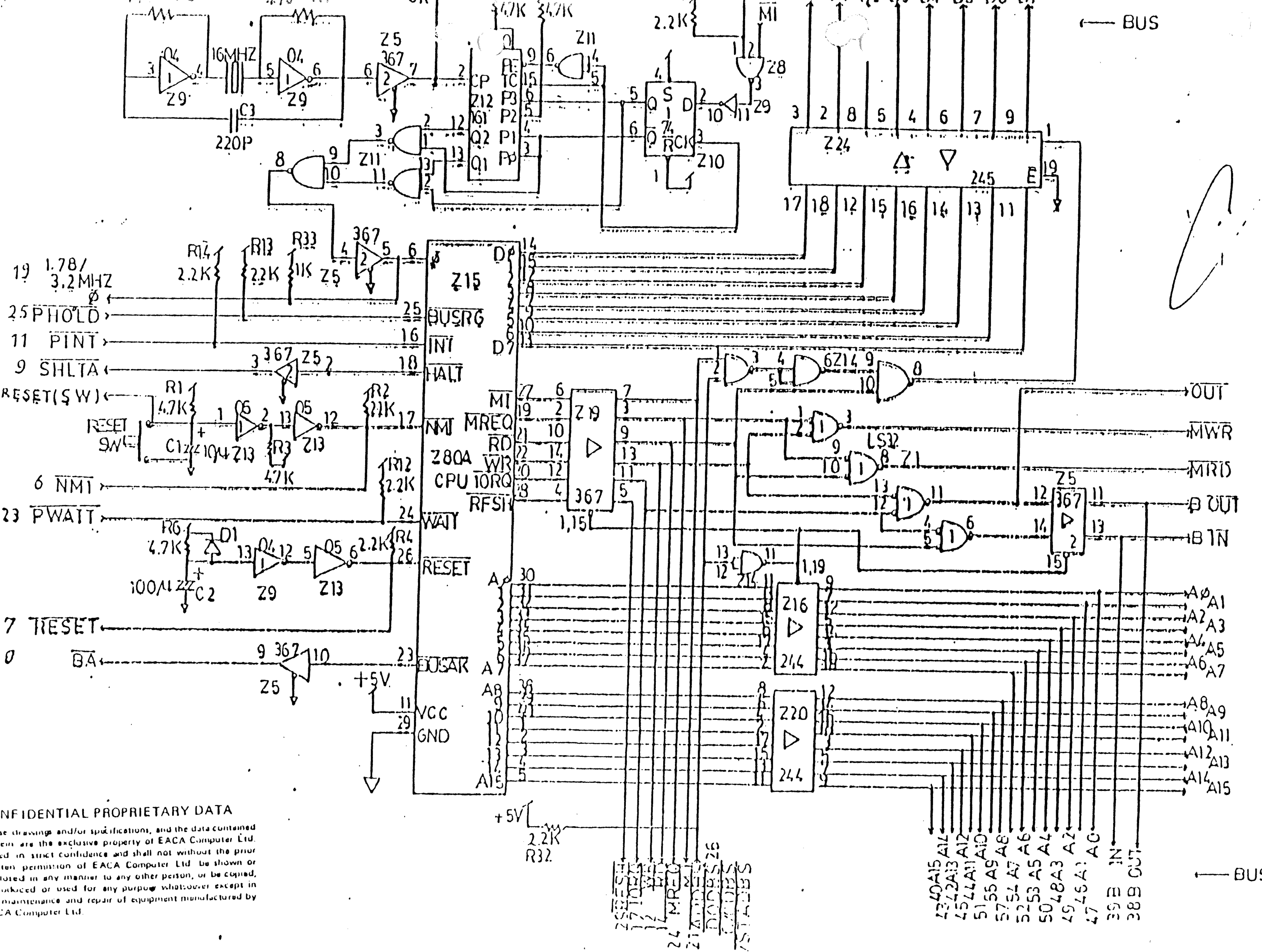
These drawings and/or specifications, and the data contained therein are the exclusive property of EACA Computer Ltd. Issued in strict confidence and shall not without the prior written permission of EACA Computer Ltd. be shown or disclosed in any manner to any other person, or be copied, reproduced or used for any purpose whatsoever except in the maintenance and repair of equipment manufactured by EACA Computer Ltd.

*Handwritten signature or initials in the top right corner.*



CONFIDENTIAL PROPRIETARY DATA  
 These drawings and/or specifications, and the data contained therein are the exclusive property of EACA Computer Ltd. and shall not be disclosed or used in any manner without the prior written permission of EACA Computer Ltd. or its agents.

GENIE III CPU BOARD

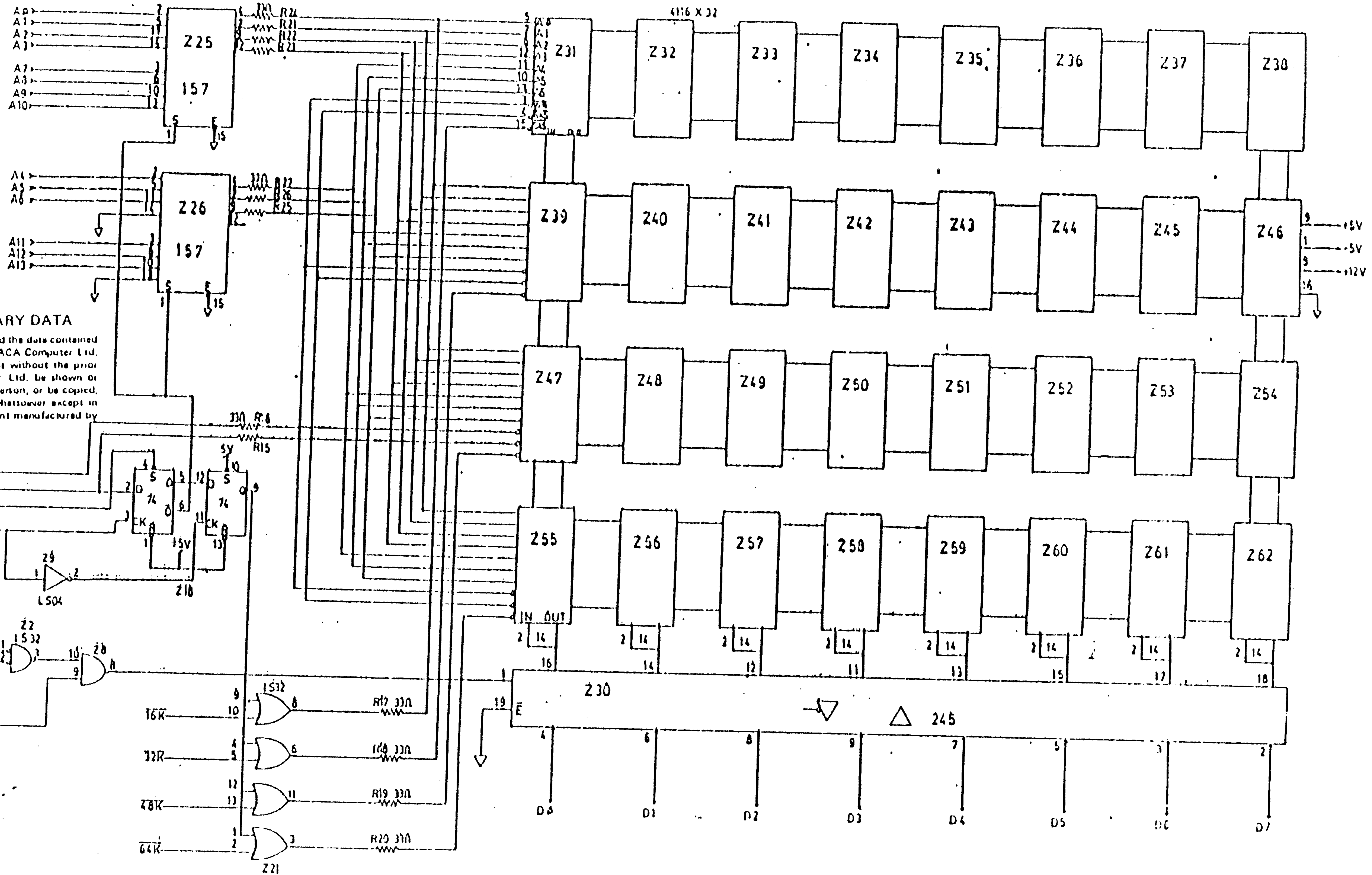


CONFIDENTIAL PROPRIETARY DATA  
 These drawings and/or specifications, and the data contained herein, are the exclusive property of EACA Computer Ltd. and shall not without the prior written permission of EACA Computer Ltd. be shown or copied in any manner to any other person, or be copied, produced or used for any purpose whatsoever except in the maintenance and repair of equipment manufactured by EACA Computer Ltd.

*[Handwritten signature]*

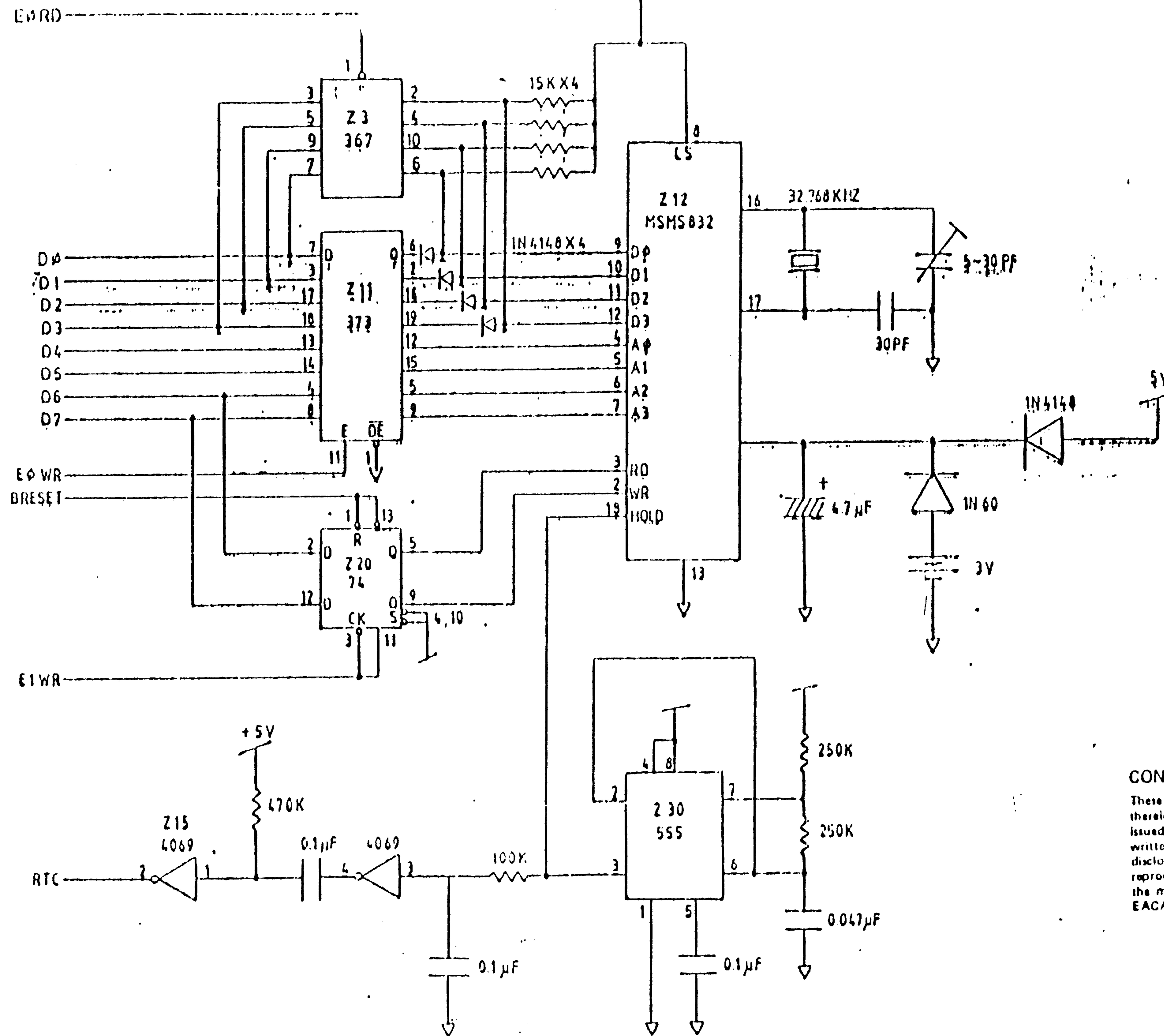


CPU BOARD SHEET 3



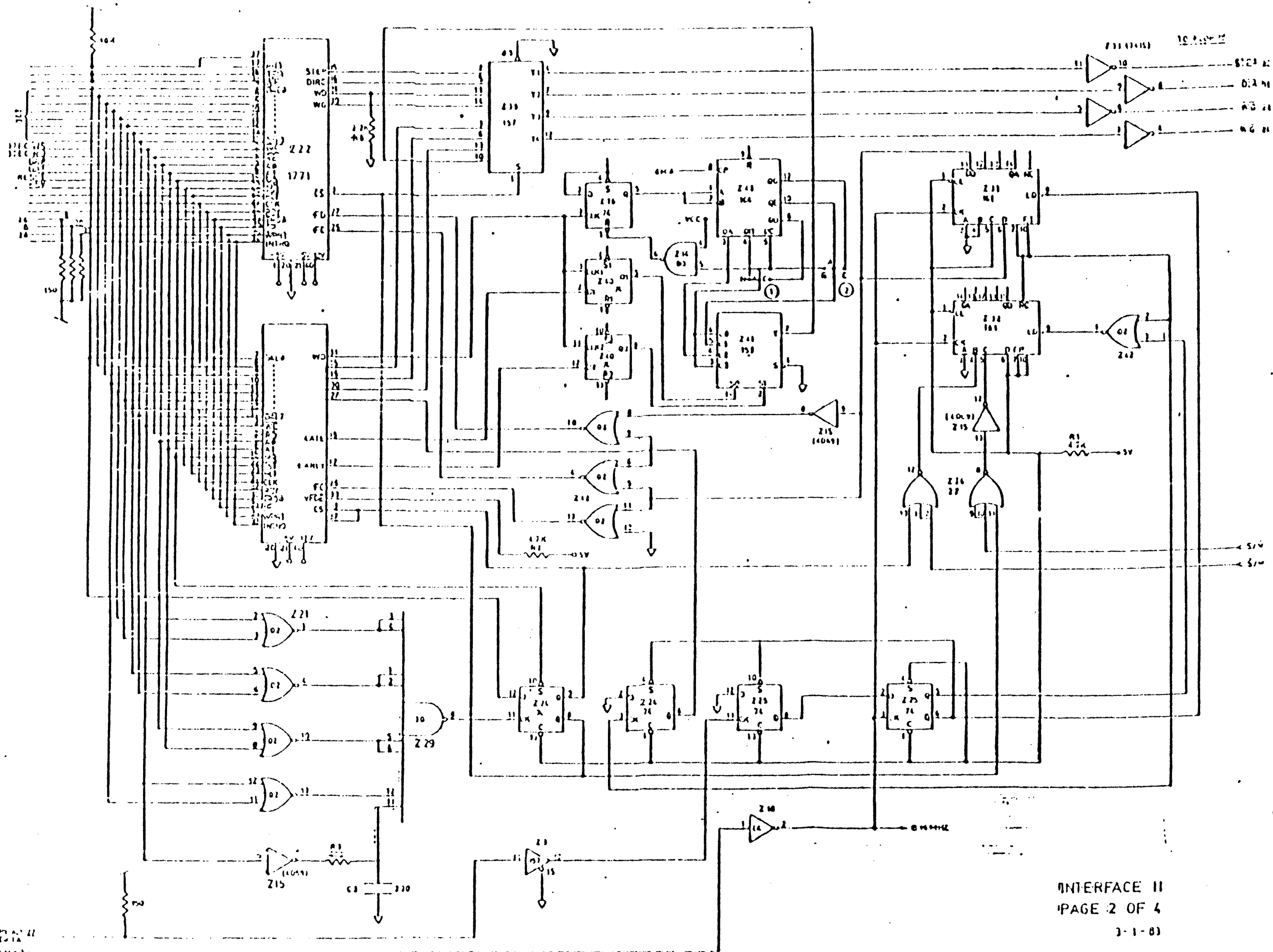
CONFIDENTIAL PROPRIETARY DATA

This drawing and/or specifications, and the data contained herein are the exclusive property of EACA Computer Ltd. and shall not without the prior written permission of EACA Computer Ltd. be shown or used in any manner to any other person, or be copied, reproduced or used for any purpose whatsoever except in connection with the maintenance and repair of equipment manufactured by EACA Computer Ltd.



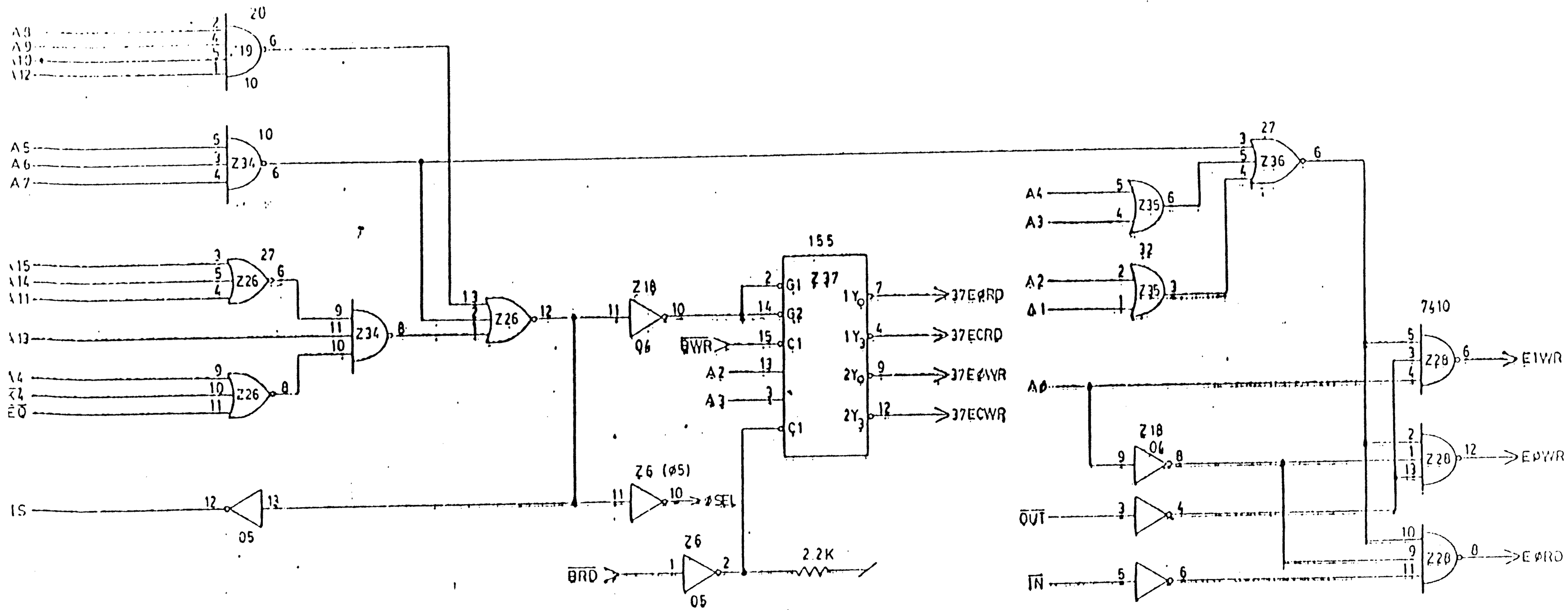
**CONFIDENTIAL PROPRIETARY DATA**  
 These drawings and/or specifications, and the data contained therein are the exclusive property of EACA Computer Ltd. Issued in strict confidence and shall not without the prior written permission of EACA Computer Ltd. be shown or disclosed in any manner to any other person, or be copied, reproduced or used for any purpose whatsoever except in the maintenance and repair of equipment manufactured by EACA Computer Ltd.





INTERFACE II  
 PAGE 2 OF 4  
 3-1-81

**CONFIDENTIAL PROPRIETARY DATA**  
 These drawings and/or specifications, and the data contained therein are the exclusive property of EACA Computer Ltd. Issued in strict confidence and shall not without the prior written permission of EACA Computer Ltd. be shown or disclosed in any manner to any other person, or be copied, reproduced or used for any purpose whatsoever except in the maintenance and repair of equipment manufactured by EACA Computer Ltd.



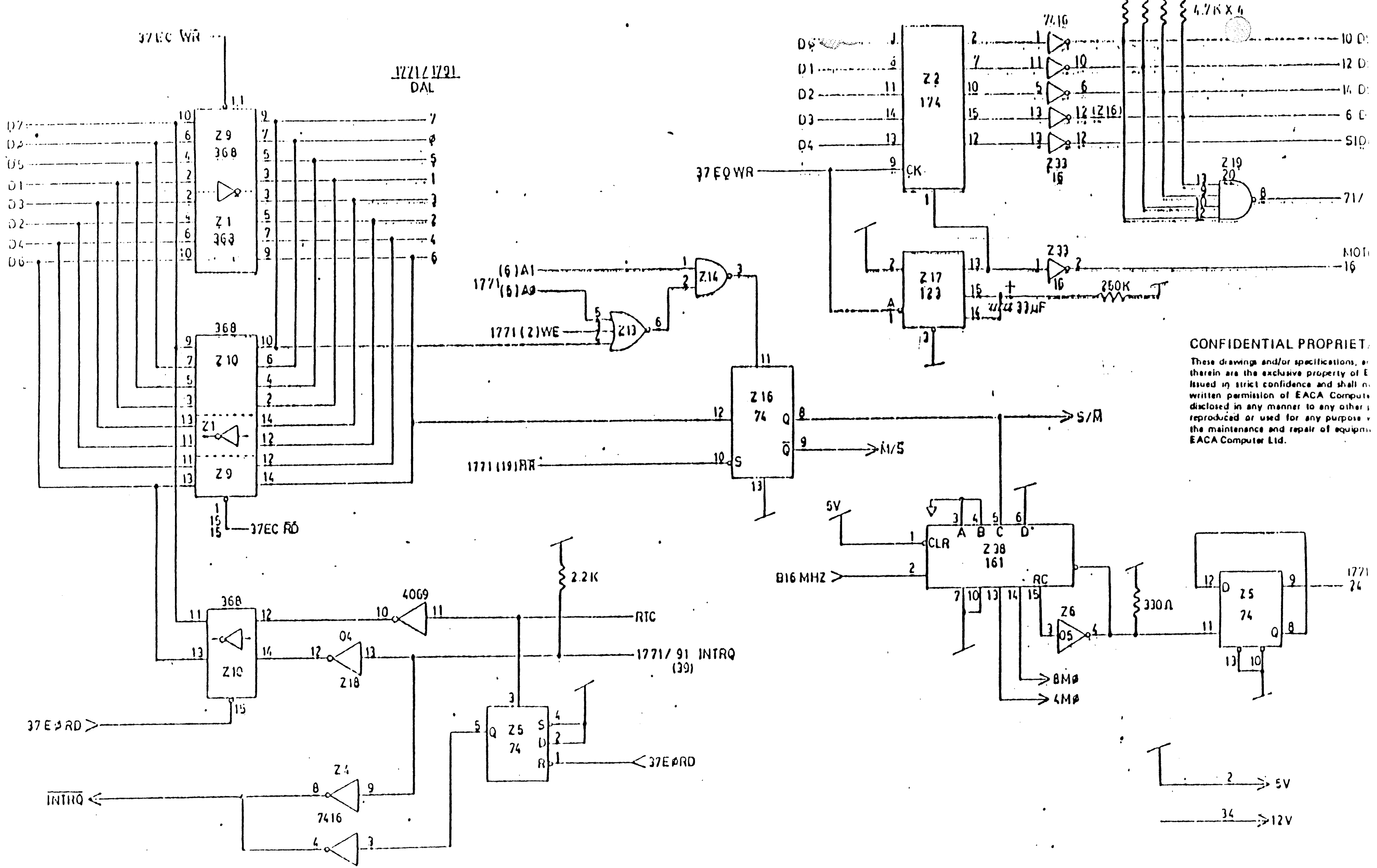
**CONFIDENTIAL PROPRIETARY DATA**

These drawings and/or specifications, and the data contained therein are the exclusive property of EACA Computer Ltd. Issued in strict confidence and shall not without the prior written permission of EACA Computer Ltd. be shown or disclosed in any manner to any other person, or be copied, reproduced or used for any purpose whatsoever except in the maintenance and repair of equipment manufactured by EACA Computer Ltd.

**GENIE III INTERFACE II**

PAGE 3 OF 4

12-1-83



**CONFIDENTIAL PROPRIETARY**  
 These drawings and/or specifications, or therein are the exclusive property of EACA Computer Ltd. and shall not be issued in strict confidence and shall not be reproduced or used for any purpose without the written permission of EACA Computer Ltd. for the maintenance and repair of equipment.  
 EACA Computer Ltd.

GENIE III INTERFACE II