



TATUNG

INSTRUCTION MANUAL

SMALL BUSINESS COMPUTER

TPC-2000

USER'S MANUAL

TATUNG ELECTRONICS CORP.

400 Pai Ling 5th Road, Taipei R.O.C.
Telex: " 12861 TATUNG PT "
Tel: (02)8941242
Facsimile: (02)3145097

VERSION NO: 1.1
JANUARY 1984

NOTICE

TATUNG ELECTRONICS CORP. has prepared this manual for use by TATUNG customers. The information contained herein shall not be reproduced in whole or in part without TATUNG'S prior written approval.

TATUNG reserves the right to make improvement in the product described in this manual at any time and without prior notice, and the reader should in all cases consult TATUNG to determine whether any such changes have been made.

Every efforts has been made to ensure that this manual accurately documents the operation and servicing of TATUNG TPC-2000. However, due to ongoing improvement along with future products, TATUNG can not guarantee the accuracy of printed material after the date of publication, nor can TATUNG accept responsibility for errors or omissions.

* FCC WARNING *

This equipment generates, uses, and can radiate radio frequency energy and if not installed and used in accordance with the user's manual, may cause interference to radio communications. As temporarily permitted by regulation it has not been tested for compliance with the limits for Class A computing devices pursuant to Subpart J of Part 15 of FCC Rules, which are designed to provide reasonable protection against such interference. Operation of this equipment in a residential area is likely to cause interference in which case the user at his own expense will be required to take whatever measures may be required to correct the interference.

If this equipment does cause interference to radio or television reception, which can be determined by turning the equipment off and on, the user is encouraged to try to correct the interference by one or more of the following measures:

- * Reorient the receiving antenna
- * Relocate the computer with respect to the receiver
- * Move the computer away from the receiver
- * Plug the computer into a different outlet so that computer and receiver are on different branch circuits

If necessary, the user should consult the dealer or an experienced radio/television technician for additional suggestions. The user may find the following booklet prepared by the Federal Communications Commission helpful.

"How to Identify and Resolve Radio-TV Interference Problems".

This booklet is available from the US Government Printing Office, Washington DC 20402, Stock No. 004-000-00345-4

* FUSE REPLACEMENT WARNING *

For continued protection against risk of fire, replace only with same type and ratings of fuse.

CONTENTS

SECTION	PAGE	
I	INSTALLATION	1
1.1	Introduction	1
1.2	Unpacking the TPC-2000	1
1.3	Setup And How To Get TPC-2000 Started	2
1.4	Routine Operating Instructions	5
1.5	System Shutdown	6
II	SYSTEM DESCRIPTION	7
2.1	Introduction	7
2.2	Hardware Overview	7
2.3	Software Overview	9
III	CP/M OPERATING SYSTEM	10
3.1	General Description	10
3.2	Function Description Of CP/M	11
3.2.1	File References	12
3.3	Switching Disks	14
3.4	The Form Of Built-In Commands	14
3.4.1	ERA afn <cr>	14
3.4.2	DIR afn <cr>	15
3.4.3	REN ufn1=ufn2 <cr>	15
3.4.4	SAVE n ufn <cr>	16
3.4.5	TYPE ufn <cr>	17
3.5	Line Editing And Output Control	17
3.6	Transient Commands	18
3.6.1	STAT <cr>	19
3.6.2	ASM ufn <cr>	20
3.6.3	LOAD ufn <cr>	21
3.6.4	PIP <cr>	22
3.6.5	ED ufn <cr>	29
3.6.6	SYSGEN <cr>	31
3.6.7	SUBMIT ufn parm#1 ... parm#n <cr>	32
3.6.8	DUMP ufn <cr>	34
3.6.9	MOVCPM <cr>	34
3.7	BDOS Error Messages	36
IV	TPC-2000 SOFTWARE UTILITIES	38
4.1	REFORM	38
4.2	DCHECK	39

SECTION	PAGE
4.3	MODE 40
4.4	DCOPY 41
4.5	SETUP 43
4.6	MTS 44
4.7	CRTEST 45
4.8	FUNCTION 45
V	TPC-2000 HARDWARE 47
5.1	Serial Port (SIO or DART) 47
5.2	Parallel Port (PIO) 47
5.3	Counter Timer Circuit (CTC) 47
5.4	Floppy Disk Formatter/Controller (FDC) 48
5.5	CRT Controller (CRTC) 48
5.6	Serial Keyboard Encoder (SKE) 48
VI	KEYBOARD 49
6.1	Numeric Pad Functions 49
6.2	Alphanumeric Keypad 50
6.2.1	General 50
6.2.2	RESET 50
6.2.3	SPACE BAR 50
6.2.4	SHIFT 50
6.2.5	CTRL 50
6.2.6	ESC 50
6.2.7	DEL 51
6.2.8	BREAK 51
6.3	LED Indicator 51
6.3.1	Programmable Phrase 51
6.3.2	SHIFT LOC 52
6.3.3	CAP LOC 52
6.3.4	LOCAL 52
6.4	Special Function Keypads 52
6.4.1	Cursor Movement 52
6.4.2	EDIT Functions 54
6.5	Others 55
6.5.1	Visual Attributes 55
6.5.2	Function Key 56
6.5.3	Control Character Codes 56
6.5.4	Summary 57

APPENDICES

APPENDIX	PAGE
A The ASCII Character Set	59
B Input/Output Port Assignment	62
C Functions Table List	64
D TPC-2000 Keystrokes And Codes	66
E System Startup Checklist	67
F Interpretation Of Disk Controller Status	68
H Troubleshooting	70

FIGURES

1-1 Front Panel	2
1-2 Rear Panel	2
1-3 Diskette Insert	5
2-1 System Block Diagram	8
6-1 TPC-2000 Standard Keyboard Layout	49
6-2 Numerical Keypad	50
6-3 LED Indicator	51

TABLES

4-1 Disk Format Set For TPC-2000	39
--	----

SECTION I INSTALLATION

1.1 Introduction

This manual is designed for people who want to learn to program the computer or to bring economy and efficiency to his business. With this manual and a TATUNG TPC-2000 desktop small business computer, and a bit of your time and attention, you will find that there is nothing difficult about using TPC-2000.

The TPC-2000 is the ideal system for the small business with data processing requirements. This system allows streaming of time consuming tasks, such as inventory control, order entry, and billing. It runs the CP/M V2.2 Operating System and all utilities and application softwares designed for CP/M.

Simply add a TTL INPUT/OUTPUT board onto TPC-2000, the TPC-2000 becomes an industrial controller for such as ROBOT, chemical PH control ... etc.

As computing requirements grow, the TPC-2000 can become a workstation of the host computer, with its built-in floppy drive serving as local storage. Because the TPC-2000 has a function which allows it to accept down-loads from the host computer, it can work as a workstation with or without its disk drive(s).

When the TPC-2000 functions as a terminal of a host computer, it can simulate other types of terminals by sending terminal control code tables from the host computer.

1.2 Unpacking the TPC-2000

Carefully unpack the TATUNG TPC-2000 computer. Do not use a sharp or pointed instrument to open the packing box, as this may pierce the protective covering and scratch the finish on the machine. Carefully remove the computer from the shipping carton and inspect for external damage. If any damage is noted, please notify TATUNG and file a-claim for damages with the shipping Carrier. Do not discard the shipping carton and any of package related parts as these should be used to return (Before return, ensure that the package method is the same as TATUNG original package you received) the machine to TATUNG in the event of a hardware malfunction.

Assuming that there is no damage, position the computer in such a way that there is clear access to the front and rear panels. Ensure that the ventilation ports on the sides are clear and unobstructed.

1.3 Setup and How to Get TPC-2000 Started

As shown in Figure 1-1, the TPC-2000 microcomputer system should include processor unit, CRT display, and detachable keyboard.

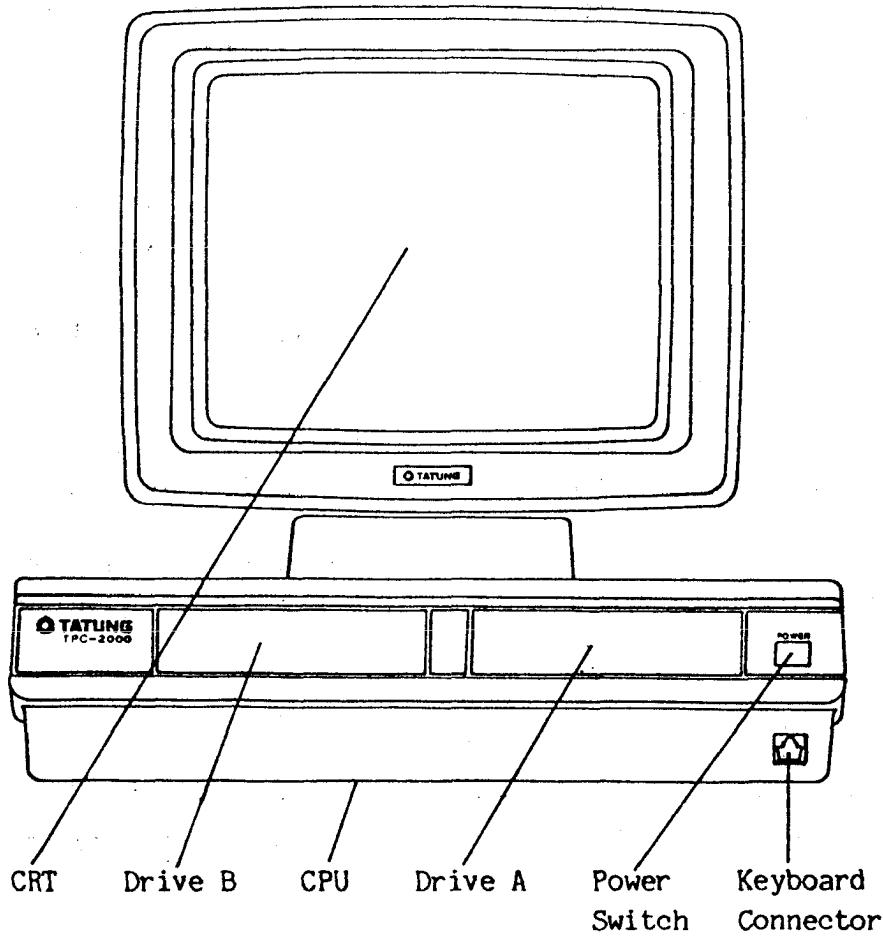


Figure 1-1 Front Panel

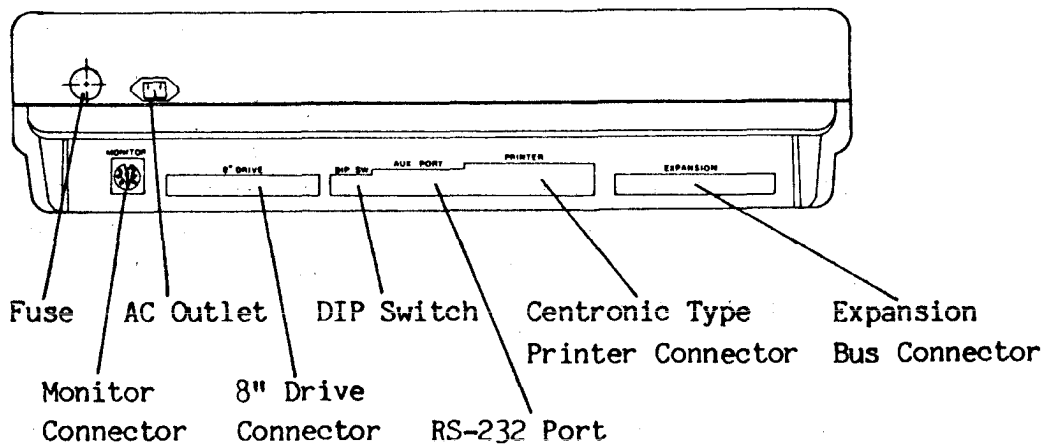


Figure 1-2 Rear Panel

Use the supplied cables to interconnect these separate parts, be very careful and make sure that all connectors are plugged in right direction. Next, plug the TPC-2000 end of the computer's power cord into the TPC-2000 (on the rear left side of the TPC-2000), and the other end into a three-prong grounded wall outlet.

Now the TPC-2000 is completely set up. turn the power on (the power switch is on the upper right corner of the front panel), you will hear a beep sound and an underline cursor should appear at upper left corner of the screen.

Get the system diskette from its package and insert it into drive A, the built-in drive on the right side of the system, with the label facing up and the oval cutout toward the back of the disk drive, clamp the front lever down. Depress "F1" key, this sequence is called System Boot. In this sequence, the disk drive will make whirring and clacking noises as CP/M-80 is loaded into memory. The first thing that CP/M-80 does after it is loaded into memory is to display the following message on your screen:

```
64K TATUNG DOS VERS. V.VV
```

```
A>
```

where 64K indicate that the memory size of TPC-2000, the version number, represented above by V.VV tells you the revision level of the Tatung version that you own. "A>" is system prompt to tell you CP/M-80 is ready to read a command from your keyboard. It also tells you that drive A is your "default" drive. That means that until you tell CP/M-80 to do otherwise, it looks for program and data files on the diskette in drive A.

If your screen display doesn't conform to the above description, don't worry. Turn the power off, then check each connector and system diskette. If everything seems all right, you may do the system boot sequence again and the " 64K TATUNG DOS VERS 2.24* " will display on screen. Otherwise you may call your dealer who will give you the best answer.

TATUNG recommends that you make a backup copy of the TPC-2000 system disk and use that copy to perform all operation, the original disk should be stored in a safe place.

In order to check the function of the distribution diskette and some basic functions of the TPC-2000, type the following command to display a list of the files on the distribution diskette :

DIR <cr>

The screen should display like following format :

```
A: PIP      COM : ED      COM : STAT    COM : DDT     COM
A: DUMP     COM : SUBMIT  COM : ASM     COM : F1      COM
A: LOAD     COM : REFORM   COM : SYSGEN  COM : DCHECK  COM
A: MODE     COM : DCOPY    COM : SETUP   COM : CRTEST  COM
A: F        DAT : FUNCTION COM : MOVCPM  COM : PRTEST  COM
A: MTS      COM : XSUB     COM
```

In order to obtain a back-up copy of system diskette, you should insert a blank diskette in drive B then format and generate system on this diskette (See Section 5). Copy files from your original disk onto your backup disk, type the command :

PIP B:=A:*. *[V] <cr>

The system will copy all disk files from the disk A onto disk B, and verifies that each file has been copied correctly. The name of each file is displayed at the CRT as the copy operation proceeds. When this is completed the system will again display the prompt symbol "A>". You now have a complete copy of your original disk. Release the front levers for both drives and remove both disks from their drives. Store the original disk in safe place. Place the copied disk into drive A, and clamp the front lever. Type a CTRL-C. (Note: The character "^" represents the Control function and ^C is typed by holding down the control key while typing a C) The system should respond with the "A>" prompt symbol.

If you are using an external hard-copy printer, connect its cable to Centronic type printer jack on the rear of the computer. Plug in the printer's power cord and turn on its power switch. Make any other necessary settings on the printer in accordance with the printer's operating manual. Refer to the SETUP Command if it is necessary to change the Operating System. Test the printer by typing the command :

PIP LST:=A:DUMP.ASM<cr>

If all is working correctly, the printer will begin typing a copy of the CP/M DUMP source program. Save this printout for future reference.

This completes the initial setup and checkout. If you have encountered any difficulties, refer to Appendix F and Appendix G of this manual.

Assuming that no difficulties have been encountered to this point, you can now begin using your computer. It is suggested that you familiarize

yourself with the rest of this manual prior to starting any major operations.

NOTE

Always remove your diskettes from the disk drives before you turn off your TPC-2000.

1.4 Routine Operating Instructions

For the initial startup and checkout of your system, consult Section 1.3 of this manual to ensure that your computer is operational.

After the system is completely checked out and operating correctly, use the following instructions as a guide for routine system startup. Consult Figures 1-1 through 1-3, if required, for positioning and placement information. The following instructions assume that your system uses a standard CRT display and a detachable keyboard.

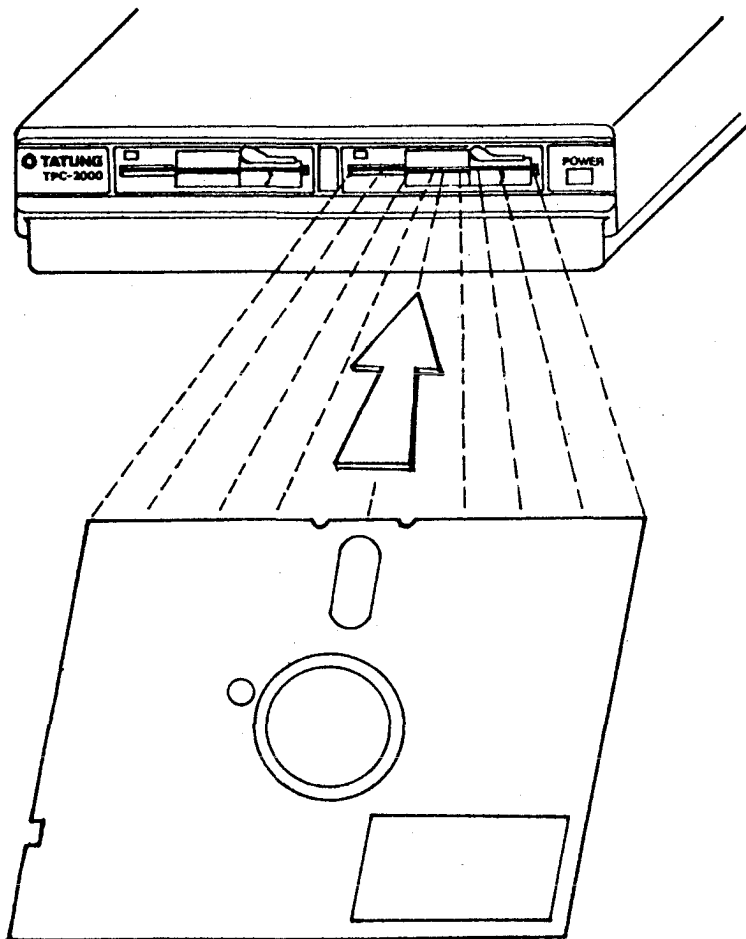


Figure 1-3 Diskette Insert

Turn on the power switch on the front panel of the TPC-2000. If appropriate, turn on the power switch on the printer or other peripheral device(s).

Release the front lever of both drives, Insert a system disk (a disk containing the CP/M Operating System program on tracks 0, 1 and 2) in the drive A with the manufacturer's label facing on. Refer to Figure 1-3 for the correct method of inserting the disk. And clamp the front lever of drive A.

Make sure your system is set on by real panel switch (please refer Appendix B) and press "F1" keys to cause the system to "AUTO Boot", the system will display the message :

64K TATUNG DOS VERS V.VV*

and then the symbol "A>" will appear. This is the indication that the Operating System program has successfully loaded and is controlling the TPC-2000's operation. At this point you may enter the appropriate CP/M commands to perform the processing required.

1.5 System Shutdown

There is only special precaution which should be observed when you are finished with the computer and are preparing to turn it off.

Power to the computer should not be turned on or off with diskettes in the disk drives. Therefore, before turning off the power switch, release both front levers and remove the diskette or diskettes. Failure to observe this precaution could allow an unpredictable magnetic field to erase or alter a small part of the information on the diskette. The potentially disastrous result of such an alteration might not be discovered until some time later.

NOTE

Don't switch on TPC-2000 within 30 seconds after power off TPC-2000 or you will break down the power supply of TPC-2000

SECTION II SYSTEM DESCRIPTION

2.1 Introduction

A typical microcomputer system consists of a CPU (Central Processing Unit), input, output, storage devices, and a program called the Operating System.

The CPU is a single integrated circuit chip, called microprocessor, it is the heart of the system. Its function is to obtain instructions from the memory and perform the desired operations.

The input device is usually a keyboard. Typical output devices includes CRT(Cathode Ray Tube) and printer.

Storage devices include computer's internal Random Access Memory (RAM), Read Only Memory(ROM), and the magnetic floppy disks. The RAM is volatile storage, it must have power applied to retain its information. The floppy disks are non-volatile storage because they retain their information regardless of power application.

The Operating System program enables the computer to accept directions from the user and it must be loaded into the computer before the computer can do the function. The Operating System accepts and interprets commands from the keyboard, reads from and writes to the floppy disks, communicates with the output device(s), and keeps track of where information is stored on the disks.

The TATUNG TPC-2000 Integrated desktop microcomputer system is a single user system, it is a compact and very attractive desktop unit. The standard system consists of the processor unit, CRT display, detachable keyboard and dual slim line mini-floppy disk drives.

2.2 Hardware Overview

The TATUNG TPC-2000 computer includes a Z80A (4MHz) microprocessor, two slim line 5 1/4" mini-floppy diskette drives. Each system also include 64K bytes RAM and 4K bytes ROM for main memory, 4K bytes RAM and 2K bytes ROM for display memory.

Standard system includes a serial RS-232C interface port for printer; baud rate of 110, 300, 600, 1200, 2400, 4800, 9600, or 19200 bps can be selected through software or by hardware switch; one Centronics type interface for parallel printer.

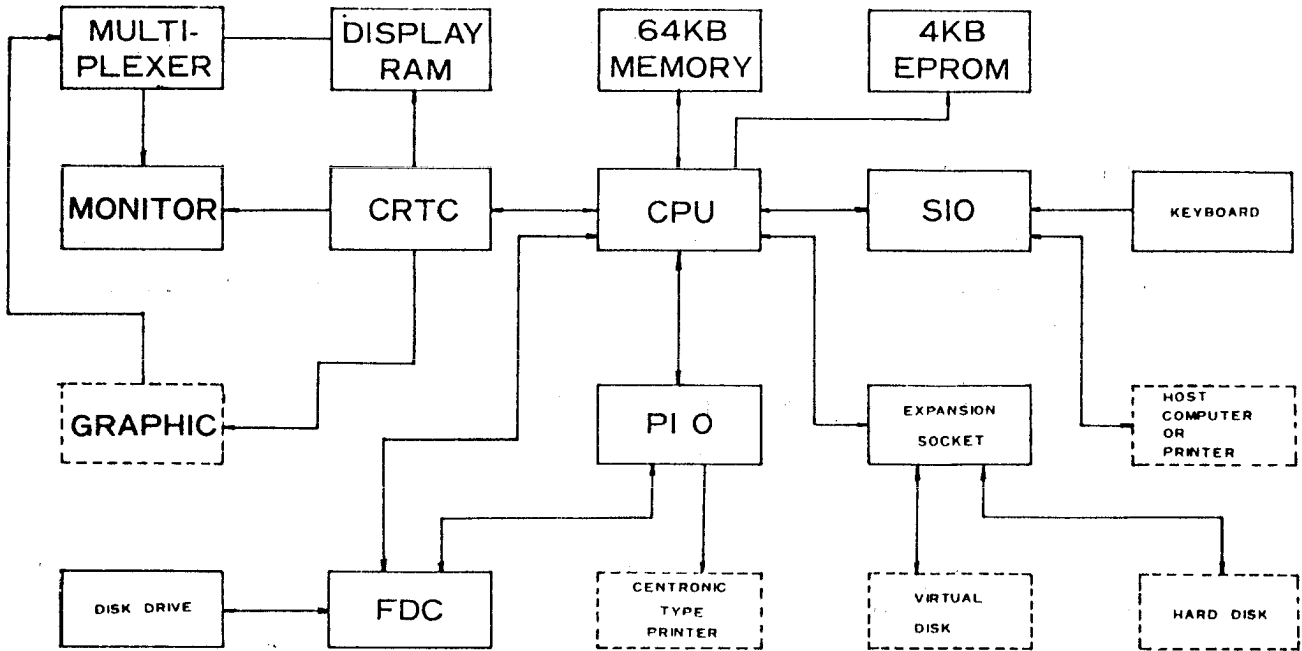


Figure 2-1 System Block Diagram

The TPC-2000 detachable keyboard has been designed for easy to used. It has 93 sculptured keys arranged in standard typewriter format, and includes alpha lock, 18-key numeric pad with decimal and 6 programmable function keys which can be used to implement automatically complicated and repetitive operation with a single key stroke.

The disk drives incorporated in your TPC-2000 vary from model to model, according to the followings:

- 1> single side, 96 TPI -- 360K Bytes of formatted storage per drive.
- 2> double side, 96 TPI -- 720K Bytes of formatted storage per drive.

A wide range of options is available with the TPC-2000, each is fully supported by TATUNG.

- * Color monitor display unit
- * Graphic display board
- * 8" floppy drive :

TPC-2000 can be added with 2 additional drives (if TPC-2000 already has 2 mini-floppy drives), or 4 drives (if TPC-2000 does not have any mini-floppy drives). Each 8" drive has a 616K (single side) or 1.2MB (double side)

- * Virtual disk :

Each virtual disk has 256KB capacity. The TPC-2000 can be added up to 8 virtual disk boards

- * Hard disk :

TPC-2000 can be added up to 4 sets of 5 1/4" or hard disk drives.

There are 6.6 MB/drive, 13.3 MB/drive, and 27 MB/drive options for 5 1/4" Winchester hard disk.

* Serial interface board :

Each interface board has 14 RS-232C serial ports. The TPC-2000 can be added up to 2 boards.

* TTL input/output board :

Each I/O board has 64 input/output points. TPC-2000 can be added with 2 input/output board.

OPERATING CONDITIONS -----

Power requirement : 110V or 220V +/- 10%, 50 or 60 Hz

Power consumption : less than 100VA

Operating Temperature : 10°C - 40°C

Humidity : 20% - 80% Noncondensing

Weight : 12 Kg

Dimensions (mm) : 450(W) X 428(H) X 620(D)

2.3 Software Overview

The term software refers to whatever program will be used with the computer. This includes the CP/M Operating System program, the various utility programs provided with the computer and any program written by the user or acquired by other means.

The program stored in the ROM is called "Firmware", since it is program material, but not easily alterable. The ROM firmware will be considered a subset of the software, since it is program material. The program in the ROM was written by TATUNG and is required in order to perform the most basic machine functions.

Two operating systems are available for the integrated TPC-2000 system; the CP/M V2.2 for single users and the CP/NET for local networks. Both operating systems support a wide range of application languages.

OPERATING SYSTEM : CP/M V.VV, CP/NET

UTILITIES : KSAM, DATASTAR, SUPERSORT, WORDSTAR, SUPERCALC, VEDIT, BISYNC, L80, LIB80, DBASE II

LANGUAGES : ASM, M80, MAC, FORTRAN, CBASIC, CB80, MBASIC, PASCAL/M, PASCAL/MT+, COBOL80

SECTION III
CP/M OPERATING SYSTEM

3.1 General Description

CP/M is a monitor control program for microcomputer system development which uses IBM-compatible flexible disks for backup storage. CP/M provides a general environment for program construction, storage, and editing, along with assembly and program check-out facilities. It also provides rapid access to programs through a comprehensive file management package. The file subsystem supports a named file structure, allowing dynamic allocation of file space as well as sequential and random file access. Using this file system, a large number of distinct programs can be stored in both source and machine executable form.

CP/M also supports a powerful context editor, Intel-compatible assembler, and debugger subsystems. Optional software includes a powerful Intel-compatible macro assembler, symbolic debugger, along with various high-level languages. When coupled with CP/M's Console Command Processor, the resulting facilities equal or excel similar large computer facilities.

CP/M is logically divided into several distinct parts:

BIOS	Basic I/O System (hardware dependent)
BDOS	Basic Disk Operating System
CCP	Console Command Processor
TPA	Transient Program Area

The BIOS provides the primitive operations necessary to access the diskette drives and to interface standard peripherals (teletype, CRT, Paper Tape Reader/Punch, and user-defined peripherals), and can be tailored by the user for any particular hardware environment by "patching" this portion of CP/M. The BDOS implements disk allocation strategies which provide fully dynamic file construction while minimizing head movement across the disk during access. Any particular file may contain any number of records, not exceeding the size of any single disk. In a standard CP/M system, each disk can contain up to 64 distinct files. The BDOS has entry points which include the following primitive operations which can be programmatically accessed:

SEARCH	Look for a particular disk file by name.
OPEN	Open a file for further operations.
CLOSE	Close a file after processing.
RENAME	Change the name of a particular file.
READ	Read a record from a particular file.

WRITE Write a record onto the disk.
SELECT Select a particular disk drive for further operations.

The CCP provides symbolic interface between the user's console and the remainder of the CP/M system. The CCP reads the console device and processes commands which include listing the file directory, printing the contents of files, and controlling the operation of transient programs, such as assemblers, editors, and debuggers. The standard commands which are available in the CCP are listed in a following section.

The last segment of CP/M is the area called the Transient Program Area (TPA). The TPA holds programs which are loaded from the disk under command of the CCP. During program editing, for example, the TPA holds the CP/M text editor machine code and data areas. Similarly, programs created under CP/M can be checked out by loading and executing these programs in the TPA.

It should be mentioned that any or all of the CP/M component subsystems can be "overlaid" by an executing program. That is, once a user's program is loaded into the TPA, the CCP, BDOS, and BIOS areas can be used as the program's data area. A "bootstrap" loader is programmatically accessible whenever the BIOS portion is not overlaid; thus, the user program need only branch to the bootstrap loader at the end of execution, and the complete CP/M monitor is reloaded from disk.

3.2 Functional Description of CP/M

The user interacts with CP/M primarily through the CCP, which reads and interprets commands entered through the console. In general, the CCP addresses one of several disks which are online (the standard system addresses up to four different disk drives). These disk drives are labelled A,B,C, and D. A disk is "logged in" if the CCP is currently addressing the disk. In order to clearly indicate which disk is the currently logged disk, the CCP always prompts the operator with the disk name followed by the symbol "<" indicating that the CCP is ready for another command. Upon initial start up, the CP/M system is brought in from disk A. and the CCP displays the message

```
xxK CP/M VER m.m
```

where xx is the memory size (in kilobytes) which this CP/M system manages, and m.m is the CP/M version number. All CP/M systems are initially set to operate in a 16k memory space, but can be easily reconfigured to it any memory size on the host system (see the MOVCPM transient command). Following system signon, CP/M automatically logs

in disk A, prompts the user with the symbol "A>" (indicating that CP/M is currently addressing disk "A"), and waits for a command. The commands are implemented at two levels: built-in commands and transient commands. Nearly all of the commands reference a particular file or group of files. The form of a file reference is specified below.

3.2.1 File References

A file reference identifies a particular file or group of files on particular disk attached to CP/M. These file references can be either "unambiguous" (ufn) or "ambiguous" (afn). An unambiguous file reference uniquely identifies a single file, while an ambiguous file reference may be satisfied by a number of different files.

File referneces consist of two parts: the primary name nd the secondarty name. Although the secondary ame is optional, it usually is generic; that is, the secondary name "ASM," for example, is used to denote that the file is an assembly language source file, while the primary name distinguishes each particular source file. The two names are separted by a "." as show below:

PPPPPPPP.sss

where pppppppp represents the primary name of eight characters or less, and sss is the secondary name of no more than three characters. As mentioned above, the name

PPPPPPPP

is also allowed and is equivalent to a secondary name consisting of three blank. The characters used in specifying an unambiguous file reference cannot contain any of the special characters

< > . , ; : = ? * []

while all alphanumerics remaining special characters are allowed.

An ambiguous file reference is used for directory search and pattern matching. The form of an ambiguous file reference is similar to an unambiguous reference, except the symbol "?" may be interspersed throughout the primary and secondary names. In various commands throught CP/M, the "?" symbol matches any character of a file name in the "?" position. Thus, the ambiguous reference

X?Z.C?M

is equivalent to the unambiguous reference

ppppppp.* and *.sss are abbreviations for

ppppppp.??? and ????????.sss

respectively. As an example,

DIR *.*

is interpreted by the CCP as a command to list the names of all disk files in the directory, while

DIR X.Y

searches only for a file by the name X.Y. Similarly, the command

DIR X?Y.C?M

causes a search for all (unambiguous) file names on the disk which satisfy this ambiguous reference.

The following file names are valid unambiguous file references:

X	XYZ	GAMMA
A.Y	XYZ.COM	GAMMA.1

As an added convenience, the programmer can generally specify the disk drive name along with the file name. In this case, the drive name is given as a letter A through D followed by a colon (:). The specified drive is then "logged in" before the file operation occurs. Thus, the following are valid file names with disk name prefixes:

A:X.Y	B:SYZ	C:GAMMA
-------	-------	---------

It should also be noted that all alphabetic lower case letters in file and drive names are always translated to upper case when they are processed by the CCP.

3.3 Switching Disks

The operator can switch the currently logged disk by typing the disk drive name (A,B,C,orD) followed by a colon (:) when the CCP is waiting for console input. Thus, the sequence of prompts and commands shown below might occur after the Cp/M system is loaded from disk A:

64K CP/M VER 2.2

A>DIR List all files on disk A.

A: SAMPLE ASM : SAMPLE PRN : DUMP COM : SYSGEN COM
A: PIP COM : STAT COM

A>B: Switch to disk B.

B>DIR *.ASM List all "ASM" files on B.

B: DUMP ASM : FILES ASM : REFORM ASM : DCOPY ASM

B>A: Switch back to A.

3.4 The Form of Built-in Commands

Built-in commands are a part of the CCP program itself, while transient commands are loaded into the TPA from disk and executed. The built-in commands are

ERA Erase specified files.
DIR List file names in the directory.
REN Rename the specified file.
SAVE Save memory contents in a file.
TYPE Type the contents of a file on the logged disk.

3.4.1 ERA afn <cr>

The ERA (erase) command removes files from the currently logged-in disk (i.e., the disk name currently prompted by CP/M preceding the ">"). The files which are erased are those which satisfy the ambiguous file reference afn. The following examples illustrate the use of ERA:

ERA X.Y The file named X.Y on the currently logged disk is removed from the disk directory, and the space is returned.

ERA X.* All files with primary name X are removed from the current disk.

- ERA *.ASM All files with secondary name ASM are removed from the current disk.
- ERA X?Y.C?M All files on the current disk which satisfy the ambiguous reference X?Y.C?M are deleted.
- ERA *.* Erase all files on the current disk (in this case the CCP prompts the console with the message "ALL FILES (Y/N)?" which requires a Y response before files are actually removed).
- ERA B:*.PRN All files on drive B which satisfy the ambiguous reference ????????.PRN are deleted, independently of the currently logged disk.

3.4.2 DIR afn <cr>

The DIR (directory) command causes the names of all files which satisfy the ambiguous file name afn to be listed at the console device. As special case, the command

DIR

lists the files on the currently logged disk (the command "DIR" is equivalent to the command "DIR*.*"). Valid DIR commands are shown below.

DIR X.Y
 DIR X?Z.C?M
 DIR ??Y

Similar to other CCP commands, the afn can be preceded by a drive name. The following DIR commands cause the selected drive to be addressed before the directory search takes place.

DIR B:
 DIR B:X.Y
 DIR B:*.A?M

If no files can be found on the selected diskette which satisfy the directory request, the then message "NOT FOUND" is typed at the console.

3.4.3 REN ufn1=ufn2 <cr>

The REN (rename) command allows the user to change the names of files on disk. The file satisfying ufn2 is changed to ufn1. The currently

logged disk is assumed to contain the file to rename (ufn1). The CCP also allows the user to type a left-directed arrow instead of the equal sign.

Examples of the REN command are

REN X.Y=Q.R The file Q.R is changed to X.Y.
REN XYZ.COM=XYZ.XXX The file XYZ.XXX is changed to XYZ.COM.

The operator can precede either ufn1 or ufn2 (or both) by an optional drive address. Given that ufn1 is preceded by a drive name, then ufn2 is assumed to exist on the same drive as ufn1. Similarly, if ufn2 is preceded by a drive name, then ufn1 is assumed to reside on that drive as well. If both ufn1 and ufn2 are preceded by drive names, then the same drive must be specified in both cases. The following REN commands illustrate this format.

REN A:X.ASM=Y.ASM The file Y.ASM is changed to X.ASM on drive A.
REN B:ZAP.BAS=ZOT.BAS The file ZOT.BAS is changed to ZAP.BAS on
 drive B.
REN B:A.ASM=BAK The file A.BAK is renamed to A.ASM on drive B.

If the file ufn is already present, the REN command will respond with the error "FILE EXISTS" and not perform the change. If ufn2 does not exist on the specified diskette, then the message "NOT FOUND" is printed at the console.

3.4.4 SAVE n ufn <cr>

The SAVE command places n pages (256-byte blocks) onto disk from the TPA and names this file ufn. In CP/M distribution system, the TPA starts at 100H(hexadecimal), which is the second page of memory. Thus, if the user's program occupies the area from 100H through 2FFH, the SAVE command must specify 2 pages of memory. The machine code file can be subsequently loaded and executed. Examples are:

SAVE 3 X.COM Copies 100H through 3FEH to X.com.
SAVE 40 Q Copies 100H through 28FFH to Q (note that
 28 is the page count in 28FFH, and that
 $28H=2*16+8=40$ decimal).
SAVE 4 X.Y Copies 10H through 4FFH to X.Y.

The SAVE command can also specify a disk drive in the afn portion of

te command, as shown below.

```
SAVE 10 B:ZOT,COM    Copies 10 pages (100H through AFFH) to the file
                    ZOT.COM on drive B.
```

3.4.5 TYPE ufn <cr>

The TYPE command displays the contents of the ASCII source file ufn on the currently logged disk at the console device. Valid TYPE commands are

```
TYPE X.Y
TYPE X.PLM
TYPE XXX
```

The TYPE command expands tabs (ctl-I characters), assuming tab positions are set at every eighth column. The ufn can also reference a drive name as shown below.

```
TYPE B:X.PRN        The file X.PRN from drive B is displayed.
```

3.5 Line Editing and Output Control

The CCP allows certain line editing functions while typing command lines.

rubout Delete and echo the last character typed at the console.

ctl-U Delete the entire line typed at the console.

ctl-X (Same as ctl-U)

ctl-R Retype current command line:types a "clean line" following character deletion with rubouts.

ctl-E Physical end of line :carriage is returned, but line is not sent until the carriage return key is depressed.

ctl-C CP/M system reboot (warm start)

ctl-Z End input from the console (used in PIP and ED).

The control functions ctl-P and ctl-S affect console output as shown below.

ctl-P Copy all subsequent console output to the currently assigned list device (see the STAT command). Output is sent to list

device and the console device until the next ctl-P is typed.

ctl-S Stop the console output temporarily. Program execution and output continue when the next character is typed at the console (e.g., another ctl-S). This feature is used to stop output on high speed consoles, such as CRT's, in order to view a segment of output before continuing.

Note that the ctl-key sequences shown above are obtained by depressing the control and letter keys simultaneously. Further, CCP command lines can generally be up to 255 characters in length; they are not acted upon until the carriage return key is typed.

3.6 Transient Commands

Transient commands are loaded from the currently logged disk and executed in the TPA. The transient commands defined for execution under the CCP are shown below. Additions can easily be defined by the user (see the LOAD command definition).

STAT List the number of bytes of storage remaining on the currently logged disk, provide statistical information about particular files, and display or alter device assignment.

ASM Load the CP/M assembler and assemble the specified program from disk.

LOAD Load the file in Intel "hex" machine code format and produce a file in machine executable form which can be loaded into the TPA (this loaded program becomes a new command under the CCP).

DDT Load the CP/M debugger into TPA and start execution.

PIP Load the Peripheral Interchange Program for subsequent disk file and peripheral transfer operations.

ED Load and execute the CP/M text editor program.

SYSGEN Create a new CP/M system diskette.

SUBMIT Submit a file of commands for batch processing.

DUMP Dump the contents of a file in hex.

MOVCPM Regenerate the CP/M system for a particular memory size.

Transient commands are specified in the same manner as built-in commands and additional commands can be easily defined by the user. As an added convenience, the transient command can be preceded by a drive name, which causes the transient to be loaded from the specified drive into the TPA for execution. Thus, the command

B:STAT

causes CP/M to temporarily "log in" drive B for the source of the STAT transient, and then return to the original logged disk for subsequent processing.

The basic transient commands are listed some examples below, for detail refer CP/M Operating System User's Manual.

5.1 STAT <cr>

The STAT command provides general statistical information about file storage and device assignment. It is initiated by typing one of the following forms:

STAT <cr>

STAT "command line" <cr>

Special forms of the "command line" allow the current device assignment to be examined and altered as well. The various command lines which can be specified are shown below with an explanation of each form shown to the right.

STAT <cr>

If the user types an empty command line, the STAT transient calculates the storage remaining on all active drives, and prints a message

X:R/W,SPACE:nnnK or

X:R/O,SPACE:nnnK

for each active drive x, where R/W indicates the drive may be read or written, and R/O indicates the drive is read only (a drive becomes R/O by explicitly setting it to read only, as shown below, or by inadvertently changing diskettes without performing a warm start). The space remaining on the diskette in drive x is given in kilobytes by nnn.

STAT x:<cr>

If a drive name is given, then the drive is selected before the storage is computed. Thus, the command "STAT B:" could be issued while logged into drive A, resulting in the message

BYTES REMAINING ON B:nnnK

STAT afn <cr>

The command line can also specify a set of files to be scanned by STAT. The files which satisfy afn are listed in alphabetical order, with storage requirements for each file under the heading

RECS BYTS EX D:FILENAME.TYP

rrrr bbbK ee d:pppppppp.sss

where rrrr is the number of 128-byte records allocated to the file, bbb is the number of kilobytes allocated to the file ($bbb=rrrr*128/1024$), ee is the number of 16K extensions ($ee=bbb/16$), d is the drive name containing the file (A...Z), pppppppp is the (up to) eight-character primary file name, and sss is the (up to) three-character secondary name. After listing the individual files, the storage usage is summarized.

STAT x:afn <cr>

As a convenience, the drive name can be given ahead of the afn. In this case, the specified drive is first selected, and the form "STAT afn" is executed.

STAT x:=R/O <cr>

This form sets the drive given by x to read-only, which remains in effect until the next warm or cold start takes place. When a disk is read-only, the message

BDOS ERR ON x:READ ONLY

will appear if there is an attempt to write to the read-only disk x. CP/M waits until a key is depressed before performing an automatic warm start (at which time the disk becomes R/W).

3.6.2 ASM ufn <cr>

The ASM command loads and executes the CP/M 8080 assembler. The ufn specifies a source file containing assembly language statements where the secondary name is assumed to be ASM, and thus is not specified. The following ASM commands are valid:

ASM X

ASM GAMMA

The two-pass assembler is automatically executed. If assembly error occur during the second pass, the errors are printed at the console.

The assembler produces a file

X.PRN

where x is the primary name specified in the ASM command. The PRN file contains a listing of the source program (with imbedded tab characters if present in the source program), along with machine code generated for each statement and diagnostic error messages, if any. The PRN file can be listed at the console using the TYPE command, or sent to a peripheral device using PIP (see the PIP command structure below). Note also that the PRN file contains the original source program, augmented by miscellaneous assembly information in the leftmost 16 columns (program addresses and hexadecimal machine code, for example). Thus, the PRN file can serve as a backup for the original source file: if the source file is accidentally removed or destroyed, the PRN file can be edited (see the ED operator's guide) by removing the leftmost 16 characters of each line (this can be done by issuing a single editor "macro" command). The resulting file is identical to the original source file and can be renamed (REN) from PRN to ASM for subsequent editing and assembly. The file

x.HEX

is also produced which 8080 machine language in Intel "hex" format suitable for subsequent loading and execution (see the LOAD command). For complete details of CP/M's assembly language program, see the "CP/M Assembler language (ASM) User's Guide."

Similar to other transient commands, the source file for assembly can be taken from an alternate disk by prefixing the assembly language file name by a disk drive name. Thus, the command

ASM B:ALPHA <cr>

loads the assembler from the currently logged drive and operates upon the source program ALPHA.ASM on drive B. The HEX and PRN files are also placed on drive B in this case.

3.6.3 LOAD ufn <cr>

The LOAD command reads the file ufn, which is assumed to contain "hex" format machine code, and produces a memory image file which can be subsequently executed. The file name ufn is assumed to be of the form

x.HEX

and thus only the name x need be specified in the command. The LOAD command creates a file named

x.COM

which marks it as containing machine executable code. The file is actually loaded into memory and executed when the user types the file name x immediately after the prompting character ">" printed by the CCP.

In general, the CCP reads the name x following the prompting character and looks for a built-in function name. If no function name is found, th CCP searches the system disk directory for a file by the name

x.COM

If found, the machine code is loaded into the TPA, and the program executes. Thus, the user need only LOAD a hex file once; it can be subsequently executed any number of times by simply typing the primary name. In this way, the user can "invent" new commands in the CCP. (Initialized disks contain the transient commands as COM files, whih can be deleted at the user's option.) The operation can take place on an alternate drive if the file name is prefixed by a name. Thus,

LOAD B:BETA

brings the LOAD program into the TPA from the currently logged disk and operates upon drive B after execution begins.

It must be noted that the BETA.HEX file must contain valid Intel format hexadecimal machine code records (as produced by the ASM program, for example) which begin at 100H, the beginning of the TPA. Further, the addresses in the hex records must be in ascending order; gaps in unfilled memory regions are filled with zeroes by the LOAD command as the hex records are read. Thus, LOAD must be used only for creating CP/M standard "COM" files which operate in the TPA. Programs which occupy regions of memory other than the TPA can be loaded under DDT.

3.6.4 PIP <cr>

PIP is the CP/M Peripheral Interchange Program which implements the basic media conversion operations necessary to load, print, punch, copy, and combine disk files. The PIP program is initiated by typing one of the following forms

- 1) PIP <cr>
- 2) PIP "command line" <cr>

In both cases, PIP is loaded into the TPA and executed. In case (1), PIP reads command lines directly from the console, prompting with the "*" character, until an empty command line is typed (i.e., a single carriage return is issued by the operator). Each successive command line causes some media conversion to take place according to the rules shown below. Form (2) of the PIP command is equivalent to the first, except that the single command line given with the PIP command is automatically executed, and PIP terminates immediately with no further prompting of the console for input command lines. The form of each command line is

destination = source#1, source#2,..., source#n <cr>

where "destination" is the file or peripheral device to receive the data, and "source#1,...,source#n" represents a series of one or more files or devices which are copied from left to right to the destination.

When multiple files are given in the command line (i.e, n>1), the individual files are assumed to contain ASCII characters, with an assumed CP/M end-of-file character (ctl-Z) at the end of each file (see the o parameter to override this assumption). The equal symbol (=) can be replaced by a left-oriented arrow, if your console supports this ASCII character, to improved readability. Lower case ASCII alphabetic are internally translated to upper case to be consistent with CP/M file and device name conventions. Finally, the total command line length cannot exceed 225 characters (ctl-E can be used to force a physical carriage return for lines which exceed the console width).

The destination and source elements can be unambiguous references to CP/M source files, with or without a preceding disk drive name. That is, any file can be referenced with a preceding drive name (A:,B:,C:, or D:,) which defines the particular drive where the file may be obtained or stored. When the drive name is not included, the currently logged disk is assumed. Further, the destination file can also appear as one or more of the source files, in which case the source file is not altered until the entire concatenation is complete. If the destination file already exists, it is removed if the command line is properly formed (it is not removed if an error condition arises). The following command lines (with explanations to the right) are valid as input to PIP:

X=Y <cr> Copy to file X from file Y, where X and Y are unambiguous file names; Y remains unchanged.

X=Y,Z <cr> Concatenate files Y and Z and copy to file X, with Y and Z unchanged.

X.ASM=Y.ASM,Z.ASM,FIN.ASM <cr> Create the file X.ASM from the concatenation of the Y,Z, and FIN files with type ASM.

NEW.ZOM=B:OLD.ZAP <cr> Move a copy of OLD/ZAP from dirve B to the currently logged disk;name the file NEW.ZOT.

B:A.U=B:B.V,A:C.W,D.X <cr> Concatenate file B.V from drive B with C.W from drive A and D.X from the logged disk; create the file A.U on drive B.

For more convenient use, PIP allows abbreviated commads for transferring files between disk drives. The abberviated forms are

PIP X:=afn <cr>

PIP x:=y:afn <cr>

PIP x:=y: <cr>

PIP x:ufn=y: <cr>

The first form copies all files from the currently logged disk which satisfy the afn to the same file names on drive x (x=A...Z). The second form is equivalent to the first, where the source for the copy is drive y (y=A...Z). The third form is equivalent to the command "PIP ufn=y:ufn cr" which copies the file given by ufn from drive y to the file ufn on drive x. The fourth form is equivalent to the third, where the source disk is explicitly given by y.

Note that the source and destination disks must be different in all of these cases. If an afn is specified, PIP lists each ufn which satisfies the afn as it is being copied. If a file exists by the same name as the destination file, it is removed upon successful completion of the copy, and replaced by the copied file.

The following PIP commands give examples of valid disk-to-disk copy operations:

B:=*.COM <cr> Copy all files which have the secondary name

"COM" to drive B from the current drive.

A:=B:ZAP.* <cr> Copy all files which have the primary name "ZAP" to drive A from drive B.

ZAP.ASM=B: <cr> Equivalent to ZAP.ASM=B:ZAP.ASM

B:ZOT.COM=A: <cr> Equivalent to B:ZOT.COM=A.ZOT.COM

B:=GAMMA.BAS <cr> Same as B:GAMMA.BAS=GAMMA.BAS

B:=A:GAMMA.BAS <cr> Same as B:GAMA.BAS=A:GAMMA.BAS

The device names which can be used in PIP commands are

CON: The syste console device (used by CCP for communication with the operator).

LST: The outdput list device.

NUL: Send 40 "nulls" (ASCII 0's) to the device (this can be issued at the end of punched output).

EOF: end a CP/M end-of-file (ASCII ctl-Z) to the destination device (sent automatically at the end of all ASCII data transfers through PIP).

INP: Special PIP input source which can be "patched" into the PIP program itself:PIP gets the input data character-by-character by Calling location 103H, with data returned in location 109H (parity bit must be zero).

OUT: Special PIP output destination which can be patched into the PIP program:PIP CALLs location 106H with data in register C for each character to transmit. Note that locations 109H through 1FFH of the PIP memory image are not used and can be replaced by special purpose drivers using DDT (see the DDT operator's manual).

PRN: Same as LST:, except that tabs are expanded at every eighth character position, lines are numbered, and page ejects are inserted every 60 lines, with an initial eject (same as [t8np]).

File and device names can be interspersed in the commands. In each case, the specific device is read until end-of-file (ctl-Z for ASCII files, and a real end of file or non-ASCII disk files).Data from each device or file is concatenated from left to right until the last data source has been read. The destination device or file is written using the data from the source files, and an end-of-file character (ctl-Z)

is appended to the result for ASCII files. Note if the destination is a disk file, then a temporary file is created (\$\$\$ secondary name) which is changed to the actual file name only upon successful completion of the copy. Files with the extension "COM" are always assumed to be non-ASCII.

The copy operation can be aborted at any time by depressing any key on the keyboard (a rubout suffices). PIP will respond with the message "ABORTED" to indicate that the operation was not completed. Note that if any operation is aborted, or if an error occurs during processing, PIP removes any pending commands which were set up while using the SUBMIT command.

Valid PIP commands are shown below.

PIP LST:=X.PRN <cr>	Copy X.PRN to the LST device and terminate the PIP program.
PIP <cr>	Start PIP for a sequence of commands (PIP prompts with "*").
*CON:=X.ASM,Y.ASM,Z.ASM <cr>	Concatenate three ASM files and copy to the CON device.
*X.HEX= CON: ,Y.HEX, PTR: <cr>	Create a HEX file by reading the CON (until a ctl-Z is typed followed by data from PTR until a ctl-Z is encountered.
* <cr>	Single carriage return stops PIP.
PIP LST:=NUL: ,X.ASM,EOF:NUL: <cr>	Send 40 nulls to the list device; then copy the X.ASM file to the List device, followed by an end-of file (ctl-Z) and 40 more null characters.

The user can also specify one or more PIP parameters, enclosed in left and right square brackets, separated by zero or more blanks. Each parameter affects the copy operation, and the enclosed list of parameters must immediately follow the affected file or device. Generally, each parameter can be followed by an optional decimal integer value (the S and Q parameters are exceptions). The valid PIP parameters are listed below

B Block mode transfer: data is buffered by PIP until an ASCII x-off character (ctl-S) is received from the source device. This allows transfer of data to a disk file from a continuous reading

device, such as cassette reader. Upon receipt of the x-off, PIP clears the disk buffers and returns for more input data. The amount of data which can be buffered is dependent upon the memory size of the host system (PIP will issue an error message if the buffers overflow).

- Dn Delete characters which extend past column n in the transfer of data to the destination from the character source. This parameter is used most often to truncate long lines which are sent to a (narrow) printer or console device.
- E Echo all transfer operations to the console as they are being performed.
- F Filter form feeds from the file. All imbedded form feeds are removed. The P parameter can be used simultaneously to insert new form feeds.
- H Hex data transfer:all data is checked for proper Intel hex file format. Nonessential characters between hex records are removed during the copy operation. The console will be prompted for corrective action in case errors occur.
- I Ignore "00" records in the transfer of Intel hex format file (the I parameter automatically sets the H parameter).
- L Translate upper case alphabets to lower case.
- N Add line numbers to each line transferred to the destination starting at one, and incrementing by 1. Leading zeroes are suppressed, and the number is followed by a colon. If N2 is specified, then leading zeroes are included, and a tab is inserted following the number. The tab is expanded if T is set.
- O Object file (non-ASCII) transfer: the normal CP/M end of file is ignored.
- Pn Include page ejects at every n lines (with an initial page eject). If n=1 or is excluded altogether, page ejects occur every 60 lines. If the F parameter is used, form feed suppression takes place before the new page ejects are inserted.
- Qs^z Quit copying from the source device or file when the string s (terminated by ctl-Z) is encountered.
- Ss^z Start copying from the source device when the string s is encountered (terminated by ctl-Z). The S and Q parameters can be

used to "abstract" a particular section of a file (such as a subroutine). The start and quit strings are always included in the copy operation.

NOTE

the strings following the S and Q parameters are translated to upper case by the CCP if form (2) of the PIP command is used. Form (1) of the PIP invocation, however, does not perform the automatic upper case translation.

- 1) PIP <cr>
- 2) PIP "command line" <cr>

- Tn Expand tabs (ctl-I characters) to every nth column during the transfer of characters to the destination from the source.
- U Translate lower case alphabets to upper case during the copy operation.
- V Verify that data has been copied correctly by reading after the write operation (the destination must be a disk file).
- Z Zero the parity bit on input for each ASCII character.

The following are valid PIP commands which specify parameters in the file transfer:

PIP X.ASM=B:[v] <cr>

Copy X.ASM from drive B to the current drive and verify that the data was properly copied.

PIP LPT:=X.ASM [nt8u] <cr>

Copy X.ASM to the LPT: device; number each line, expand tabs to every eight column, and translate lower case alphabets to upper case.

PIP PUN:=X.HEX[i],Y.ZOT[h] <cr>

First copy X.HEX to the PUN: device and ignore the trailing "00" record in X.HEX; then continue the transfer of data by reading Y.ZOT, which contains hex records, including any "00" records which in contain.

PIP X.LIB=Y.ASM [sSUBR1:^z q JMP L3^Z] <cr>

Copy from the file Y.ASM into the file X.LIB. Start the copy when the string "SUBR1:" has been found, and quit copying after the string "JMP

L3" is encountered.

PIP PRN:=X.ASM[p50] <cr>

Send X.ASM to the LST: device, with line numbers, tabs expanded to every eight column, and page ejects at every 50th line. Note that nt8p60 is the assumed parameter list for a PRN file; p50 overrides the default value.

3.6.5 ED ufn <cr>

The ED program is the CP/M system context editor, which allows creation and alteration of ASCII files in the CP/M environment. Complete details of operation are given the ED user's manual, "ED: a Context Editor for the CP/M Disk system." In general, ED allows the operator to create and operate upon source files which are organized as a sequence of ASCII characters, separated by end-of-line characters (a carriage-return line-feed sequence). There is no practical restriction on line length (no single line can exceed the size of the working memory), which is instead defined by the number of characters typed between <cr>'s. The ED program has a number of commands for character string searching, replacement, and insertion, which are useful in the creation and correction of programs or text files under CP/M. Although the CP/M has a limited memory work space area (approximately 5000 characters in a 16K CP/M system), the file size which can be edited is not limited, since data is easily "paged" through this work area.

Upon initiation, ED creates the specified source file, if it does not exist, and opens the file for access. The programmer then "appends" data from the source file into the work area, if the source file already exists (see the A command), for editing. The appended data can then be displayed, altered, and written from the work area back to the disk (see the W command). Particular points in the program can be automatically paged and located by context (see the N command), allowing easy access to particular portions of a large file.

Given that the operator has typed

ED X.ASM <cr>

the ED program creates an intermediate work file with the name

X. \$\$\$

to hold the edited data during the ED run. Upon completion of ED, the X.ASM file (original file) is renamed to X.BAK, and the edited work file is renamed to X.ASM. Thus, the X.BAK file contains the original

(unedited) file, and the X.ASM file contains the newly edited file. The operator can always return to the previous version of a file by removing the most recent, and renaming the previous version. Suppose, for example, that the current X.ASM file was improperly edited; the sequence of CCP comand shown below would reclaim the backup file.

DIR X.* <cr> Check to see that BAK file is available.

ERA X.ASM <cr> Erase most recent version.

REN X.ASM=X.BAK <cr> Rename the BAK file to ASM.

Note that the operator can abort the edit at any point (reboot, power failure, Ctrl-C, or Q command) without destroying the original file. In this case, the BAK file is not created, and the original file is always intact.

The ED program also allows the user to "ping-pong" the source and create backup files between two disks. The form of the ED command in this case is

ED ufn d: <cr>

where ufn is the name of a file to edit on the currently logged disk, and d is the name of an alternate drive. The ED program reads and processes the source file, and writes the new file to drive d, using the name ufn. Upon completion of processing, the original file becomes the backup file. Thus, if the operator is addressing disk A, the following command is valid:

ED X.ASM B:<cr>

which edits the file X.ASM on drive A, creating the new file X.\$\$\$ on drive B. Upon completion of a successful edit, A:X.ASM is renamed to A:X.BAK, and B:X.\$\$\$ is renamed to B:X.ASM. For user convenience, the currently logged disk becomes drive B at the end of the edit. Note that if a file by the name B:X.ASM exists before the editing begins, the message

FILE EXISTS

is printed at the console as a precaution against accidentally destroying a source file. In this case, the operator must first ERASE the existing file and then restart the edit operation.

Similar to other transient commands, editing can take place on a drive different from the currently logged disk by preceding the source file

name by a drive name. Examples of valid edit requests are shown below

ED A:X.ASM <cr> Edit the file X.ASM on drive A, with new file and backup on drive A.

ED B:X.ASM A: <cr> Edit the file X.ASM on drive B to the temporary file X.\$\$\$ on drive A. On termination of editing, change X.ASM on drive B to X.BAK, and change X.\$\$\$ on drive A to X.ASM.

3.6.6 SYSGEN <cr>

The SYSGEN transient command allows generation of an initialized diskette containing the CP/M operating system. The SYSGEN program prompts the console for commands, with interaction as shown below.

SYSGEN <cr>
Initiate the SYSGEN program.

SYSGEN VERSION m.m
SYSGEN sign-on message.

SOURCE DRIVE NAME (OR RETURN TO SKIP)

Respond with the drive name (one of the letters A, B, C or D) of the disk containing a CP/M system; usually A. If a copy of CP/M already exists in memory, due to a MOVCPM command, type a <cr> only. Typing a drive name x will cause the response:

SOURCE ON x THEN TYPE RETURN

Place a diskette containing the CP/M operating system on drive x (x is one of A, B, C or D). Answer with <cr> when ready.

FUNCTION COMPLETE

System is copied to memory. SYSGEN will then prompt with:

DESTINATION DRIVE NAME (OR RETURN TO REBOOT)

If a diskette is being initialized, place the new disk into a drive and answer with the drive name. Otherwise, type a <cr> and the system will reboot from drive A. Typing drive name x will cause SYSGEN to prompt with:

DESTINATION ON x THEN TYPE RETURN

Place new diskette into drive x; type return when ready.

FUNCTION COMPLETE

New diskette is initialized in drive x.

The "DESTINATION" prompt will be repeated until a single carriage

return is typed at the console, so that more than one disk can be initialized.

Upon completion of a successful system generation, the new diskette contains the operating system, and only the built-in commands are available. A factory-fresh IBM-compatible diskette appears to CP/M as a diskette with an empty directory; therefore, the operator must copy the appropriate COM files from an existing CP/M diskette to the newly constructed diskette using the PIP transient.

The user can copy all files from an existing diskette by typing the PIP command

```
PIP B:=A: *.*[V] <cr>
```

which copies all files from disk drive A to disk drive B, and verifies that each file has been copied correctly. The name of each file is displayed at the console as the copy operation proceeds.

It should be noted that a SYSGEN does not destroy the files which already exist on a diskette; it results only in construction of a new operating system. Further, if a diskette is being used only on drives B through D, and will never be the source of a bootstrap operation on drive A, the SYSGEN need not take place. In fact, a new diskette needs absolutely no initialization to be used with CP/M.

3.6.7 SUBMIT ufn parm#1... parm#n <cr>

The SUBMIT command allows CP/M commands to be batched together for automatic processing. The ufn given in the SUBMIT command must be the filename of a file which exists on the currently logged disk, with an assumed file type of "SUB." The SUB file contains CP/M prototype commands, with possible parameter substitution. The actual parameters parm#1...parm#n are substituted into the prototype commands, and, if no errors occur, the file of substituted commands are processed sequentially by CP/M.

The prototype command file is created using the ED program, with interspersed "\$" parameters of the form

```
$1 $2 $3 ... $n
```

corresponding to the number of actual parameters which will be included when the file is submitted for executed, the actual parameters parm#1...parm#n are paired with the formal parameters \$1...\$n in the prototype commands. If the number of formal and actual parameters does not correspond, then the submit function is aborted with an error

message at the console. The SUBMIT function creates a file of substituted commands with the name

\$\$\$SUB

on the logged disk. When the system reboots (at the termination of the SUBMIT), this command file is read by the CCP as a source of input, rather than the console. If the SUBMIT function is performed on any disk other than drive A, the commands are not processed until the disk is inserted into drive A and the system reboots. Further, the user can abort command processing at any time by typing a rubout when the command is read and echoed. In this case, the \$\$\$SUB file is removed, and the subsequent commands come from the console. Command processing is also aborted if the CCP detects an error in any of the commands. Programs which execute under CP/M can abort processing of command files when error conditions occur by simply erasing any existing \$\$\$SUB file.

In order to introduce dollar signs into a SUBMIT file, the user may type a "\$\$" which reduces to a single "\$" within the command file. Further, an up-arrow symbol "^" may precede an alphabetic character x, which produces a single ctl-x character within the file.

The last command in a SUB file can initiate another SUB file, thus allowing chained batch commands.

Suppose the file ASMBL.SUB exists on disk and contains the prototype commands

```
ASM $1
DIR $1.*
ERA *.BAK
PIP $2:=$1.PRN
ERA $1.PRN
```

and the command SUBMIT ASMBL X PRN <cr>

is issued by the operator. The SUBMIT program reads the ASMBL.SUB file, substituting "X" for all occurrences of \$1 and "PRN" for all occurrences of \$2, resulting in a \$\$\$SUB file containing the commands

```
ASM X
DIR X.*
ERA *.BAK
PIP PRN:=X.PRN
ERA X.PRN
```


which are executed in sequence by the CCP.

The SUBMIT function can access a SUB file which is on an alternate drive by preceding the file name by a drive name. Submitted files are only acted upon, however, when they appear on drive A. Thus, it is possible to create a submitted file on drive B which is executed at a later time when it is inserted in drive A.

3.6.8 DUMP ufn <cr>

The DUMP program types the contents of the disk file (ufn) at the console in hexadecimal form. The file contents are listed sixteen bytes at a time, with the absolute byte address listed to the left of each line in hexadecimal. Long typeouts can be aborted by pushing the rubout key during printout. (The source listing of the DUMP program is given in the "CP/M Interface Guide" as an example of a program written for the CP/M environment.)

3.6.9 MOVCPM <cr>

The MOVCPM program allows the user to reconfigure the CP/M system for any particular memory size. Two optional parameters may be used to indicate (1) the desired size of the new system and (2) the disposition of the new system at program termination. If the first parameter is omitted or a "*" is given, the MOVCPM program will reconfigure the system to its maximum size, based upon the kilobytes of contiguous RAM in the host system (starting at 0000H). If the second parameter is omitted, the system is executed, but not permanently recorded; if "*" is given, the system is left in memory, ready for a SYSGEN operation. The MOVCPM program relocates a memory image of CP/M and places this image in memory in preparation for a system generation operation. The command forms are:

MOVCPM <cr> Relocate and execute CP/M for management of the current memory configuration (memory is examined for contiguous RAM, starting at 100H). Upon completion of the relocation, the new system is executed but not permanently recorded on the diskette.

MOVCPM n <cr> Create a relocated CP/M system for management of an n kilobyte system (n must be in the range 16 to 64), and execute the system, as described above.

MOVCPM * * <cr> Construct a relocated memory image for the current memory configuration, but leave the memory image in memory, in preparation for a SYSGEN operation.

MOVCPM n * <cr> Construct a relocated memory image for an n kilobyte memory system, and leave the memory image in preparation for a SYSGEN operation.

The command

MOVCPM * * <cr>

for example, constructs a new version of the CP/M system and leaves it in memory, ready for a SYSGEN operation. The message

```
READY FOR "SYSGEN" OR  
"SAVE 32 CPMxx.COM"
```

is printed at the console upon completion, where xx is the current memory size in kilobytes. The operator can then type

SYSGEN <cr>

Start the system generation.

SOURCE DRIVE NAME (OR RETURN TO SKIP)

Respond with a <cr> to skip the CP/M read operation since the system is already in memory as a result of the previous MOVCPM operation.

DESTINATION DRIVE NAME (OR RETURN TO REBOOT)

Respond with B to write new system to the diskette in drive B. SYSGEN will prompt with:

DESTINATION ON B, THEN TYPE RETURN

Ready the fresh diskette on drive B and tpe a return when ready:

Note that if you respond with "A" rather than "B" above, the system will be written to drive A rather than B. SYSGEN will continue to type the prompt:

DESTINATION DRIVE NAME (OR RETURN TO REBOOT)

until the operator responds with a single carriage return, which stops the SYSGEN program with a system reboot.

The user can then go through the reboot process with the old or new diskette. Instead of performing th SYSGEN operation, the user could have typed

SAVE 32 CPMxx.COM <cr>

at the completion of the MOVCPM function, which would place the CP/M

memory image on the currently logged disk in a form which can be "patched." This is necessary when operating in non-standard environment where the BIOS must be altered for a particular peripheral device configuration, as described in the "CP/M System Alteration Guide."

Valid MOVCPM command are given below:

MOVCPM 48 <cr> Construct a 48K version of CP/M and start execution.

MOVCPM 48 * <cr> Construct a 48K version of CP/M in preparation for permanent recording; response is

READY FOR "SYGEN" OR
"SAVE 32 CPM48.COM"

MOVCPM * * <cr> Construct a maximum memory version of CP/M and start execution.

It is important to note that the newly created system is serialized with the number attached to the original diskette and is subject to the conditions of the Digital Research Software Licensing Agreement.

3.7 BDOS Error Messages

There are three error situations which the Basic Disk Operating System intercepts during file processing. When one of these conditions is detected, the BDOS prints the message:

BDOS ERR ON x:error

where x is the drive name, and "error" is one of the three error messages:

BAD SECTOR
SELECT
READ ONLY

THE "BAD SECTOR" message indicates that the disk controller electronics has detected an error condition in reading or writing the diskette. This condition is generally due to a malfunctioning disk controller, or an extremely worn diskette. If you find that your system reports this error more than once a month, you should check the state of your controller electronics, and the condition of your media. You may also encounter this condition in reading files generated by a controller produced by a different manufacturer. Even though controllers are claimed to be IBM-compatible, one often finds small

differenes in reording formats. The MDS-800 controller, for example, requires two bytes of one's following the data CRC byte, which is not required in the IBM format. As a result, diskettes generated by the Intel MDS can be read by almost all other IBM-compatible systems, while disk files generated on other manufacture's equipment will produce the "BAD SECTOR" message when read by the MDS. In any case, recovery from this condition is accomplished by typing a ctl-C to reboot (this is the safest!), or a return, which simply ignores the bad sector in the file operation. Note, however, that typing a return may destory your diskette integrity if the operation is a directory write, so make sure you have adequate backups in this case.

The "SELECT" error occurs when there is an attempt to address a drive beyond the A through D range. In this case, the value of x in the error message gives the selected drive. The system reboots following any input from the console.

The "READ ONLY" message occurs when there is an attempt to write to a diskette which has been designated as read-only in a STAT command, or has been set to read-only by the BDOS. In general, the operator should reboot CP/M either by using the warm start procedure (ctl-C) or by performing a cold start whenever the diskettes are changed. If a changed diskette is to be read but not written, BDOS allows the diskette to be changed without the warm or cold start, but internally marks the drive as read-only. The status of the drive is subsequently changed to read/write if a warm or cold start occurs. Upon issuing this message, CP/M waits for input from the console. An automatic warm start takes place following any input.

SECTION IV
TPC-2000 SOFTWARE UTILITIES

4.1 REFORM

The REFORM utility prepares a new diskette for use in your TPC-2000 in either IBM standard single density format or TATUNG double density format. REFORM initializes the new diskette by writing a known pattern of information on every sector of the diskette and tests diskette surface usability before you try to store data on it.

It is necessary to format a diskette prior to use unless it has been formatted by the supplier with the correct format. Because TATUNG format is unique, all double density diskettes are destroyed by a bad program function or by a transient magnetic fluctuation.

NOTE

The REFORM utility will erase all data on a diskette with no checks prior to operating. Be sure that the diskette being reformatted is really the diskette you want to reformat.

First, type REFORM next to the system prompt on the console. After loading the program to main memory you will see a menu display on console as shown below:

A>REFORM<cr>

..... TATUNG TPC-2000 SYSTEM FORMAT ROUTINE
VERSION 2.22

1. 8" SINGLE SIDE, SINGLE DENSITY FORMAT
2. 5.25" SINGLE SIDE, 96 TPI FORMAT
3. 5.25" DOUBLE SIDE, 96 TPI FORMAT
4. 8" SINGLE SIDE, DOUBLE DENSITY FORMAT
5. 8" DOUBLE SIDE, DOUBLE DENSITY FORMAT
6. RESERVED
7. END THIS PROGRAM

SELECT FORMAT OPTION BY NUMBER:

where

- number 1. means 8" single side, single density format diskette
- number 2. means 5.25" single side, 96 TPI format diskette
- number 3. means 5.25" double side, 96 TPI format diskette
- number 4. means 8" single side, double density format diskette
- number 5. means 8" double side, double density format diskette
- number 6. means reserved for future use

Simply select the required function by number, the console will display "INPUT DRIVE NAME (A,B,C,D):". After entering the drive name and typing <cr>. The REFORM program will then request that the diskette to be formatted be placed in the selected drive. Once the diskette is installed, enter <cr> and the reformatting process will begin. Now a message indicateing track number is displayed on screen.

After the first disk has been formatted, change to a fresh disk and press <cr>. the program will repeat the previous operation. Remember, do not try to write on a new disk until it has been formatted, or you might get a BDOS error.

TATUNG TPC-2000 REFORM program has auto-mode feature, that means user need not use MODE utility to set drive mode before any attemption to perform reformation on 8" diskettes.

Table 4-1 Disk Format Set For TPC-2000

MODE	DISK TYPE	SIDE	DENSITY	TRACK /DISK	SECTOR /TRACK	BYTE/ SECTOR	FORMATTED CAPACITY
0	VIRTUAL	-----	-----	8	256	128	256 K
1	8"	SINGLE	SINGLE	77	26	128	243 K
2	5 1/4"	SINGLE	DOUBLE	80	9	512	350 K
3	5 1/4"	DOUBLE	DOUBLE	160	9	512	710 K
4	8"	SINGLE	DOUBLE	77	16	512	616 K
5	8"	DOUBLE	DOUBLE	154	16	512	1232 K
6	HARD DISK						

4.2 DCHECK

After a diskette is formatted, you may need DCHECK program to ensure that the diskette has been successfully formatted.

First, type DCHECK next to the system prompt on the console, a few seconds later working menu will display on the screen as shown below:

A>DCHECK <cr>

..... TATUNG MCS SYSTEM DCHECK ROUTINE

VERSION 2.0

1. CHECK 8" SINGLE SIDE, SINGLE DENSITY DISKETTE
2. CHECK 5.25" SINGLE SIDE, 96 TPI DISKETTE
3. CHECK 5.25" DOUBLE SIDE, 96 TPI DISKETTE
4. CHECK 8" SINGLE SIDE, DOUBLE DENSITY DISKETTE
5. CHECK 8" DOUBLE SIDE, DOUBLE DENSITY DISKETTE
6. END THIS ROUTINE

PLEASE MAKE SELECTION :

When you press selected number, then system ask you to key in drive name (A, B, C or D), and video screen will display "DISKETTE CHECKING NOW", then you can see the track number which is checking on the screen. this indicate that DCHECK program is working and reading sector by sector. When a track is read completely, DCHECK will display track number to point out this track format is correct. Otherwise, a error message will be displayed on screen its format is shown as below. This test takes about 2 minutes, wait until it completed or error occur.

If error occurs, screen will display the following message:

PERMANENT DISK ERROR, TRACK tt, SECTOR ss, STATUS xx

where tt and ss are the track number and sector number which is error and status xx indicates the nature of the error (Refer to Appendix F). In this case you must reformat this diskette again.

When all tracks are checked correctly, a message is displayed as below:

FUNCTION COMPLETE

PLEASE INSERT SYSTEM DISKETTE IN DRIVE A: THEN TYPE RETURN

it means that diskette has no permanent error, and DCHECK utility waiting for you to check whether system diskette is in drive A, then type RETURN to return to system.

4.3 MODE

The MODE utility is designed for the programmer to access different disk format (5.25" double side, 8" single side single density and 8" double side double density).

It is generally used when running a 5.25" double density system and it

is necessary to read or write a 8" single density or double density diskette.

The format of the command is :

```
MODE d n<cr>
```

Where "d" is drive letter (A, B, C, or D)

"n" is mode code

mode codes could be :

1. 8" single side, single density format
- 2 5.25" single side, 96 TPI format
- 3 5.25" double side, 96 TPI format
4. 8" single side, double density format
5. 8" double side, double density format

4.4 DCOPY

It is strongly recommended that you make backup copies of all your disks. If a disk becomes damaged or if files are accidentally erased, you will still have all of the information on your backup disk. You can back up disks by using the TATUNG TPC-2000 DCOPY command. This command is described below.

The DCOPY utility copies all the information on one diskette to another diskette, including the CP/M V2.2 system tracks if they are present on the source diskette. Before copying to a brand-new diskette, you must first prepare it with the REFORM utility. If you copy to a used diskette, DCOPY writes all the information from the source diskette over the information on the destination diskette.

This utility can not be used to copy a single density diskette to a double density diskette or a double density diskette to a single density diskette, this means both diskettes must be formatted to the same type. They must both be 8" or 5.25", single-side or double-side and single-density or double-density diskettes.

To successfully copy from one disk to another, you must make sure that your destination diskette is not write-protected. Check that there is no foil tab covering the write enable notch on the edge of your 5.25" diskette or there is foil tab covering the write protect notch on the edge of your 8" diskette before inserting the diskette into the destination drive.

The first step to use this utility is to type DCOPY <cr> next to the

system prompt, and you will see screen displayed as follow :

A>DCOPY <cr>

TATUNG TPC-2000 DISK COPY PROGRAM V2.22

- 1 8" SINGLE SIDE, SINGLE DENSITY
- 2 5.25" SINGLE SIDE, 96 TPI
- 3 5.25" DOUBLE SIDE, 96 TPI
- 4 8" SINGLE SIDE, DOUBLE DENSITY
- 5 8" DOUBLE SIDE, DOUBLE DENSITY

SELECT BY NUMBER :

Simply select the required function by number, then screen displayed as shown below :

1. COPY SYSTEM
2. COPY DATA
3. COPY ALL

SELECT BY NUMBER :

The first form of the command copies the SYSTEM tracks from drive m to drive n. Note that for 8" format in TPC-2000, there is no reserved track for system, so mode 4 and mode 5 just can select either copy data or copy all. The second form copies the non-system tracks from drive m to drive n. The last form copies all tracks from drive m to drive n. Where "m" and "n" are drive letter (A, B, C, or D).

After you press selected form number, DCOPY utility will ask you which drive is source drive and which drive is destination drive. Now, screen displayed like this:

```
SOURCE DRIVE(A,B,C,D) :m
DESTINATION DRIVE(A,B,C,D) :n
SOURCE ON m DESTINATION ON n
INSERT DISK AND TYPE <CR> WHEN READY
```

Now you may check procedure of DCOPY utility following upper message and correct any mistake, then press RETURN to continue this routine.

During the copy operating screen will display operation mode and track number to indicate which procedure is doing now, the message is displayed like this:

```
READ : nn           WRITE : nn           VERIFY : nn
```

When copy operation is completed, screen display like this:

```
DCOPY COMPLETE
INSERT SYSTEM DISKETTE THEN TYPE <CR> WHEN READY
```

This means DCOPY wait for you to check whether system diskette in drive A then press RETURN to return to system.

If your TPC-2000 has only one diskette drive. DCOPY keeps track of whether the source or the destination diskette should be in the drive. DCOPY sends messages to the screen when it needs you to remove one diskette and insert the other.

DCOPY is an exact track-for-track, sector-for-sector copy utility, and is the fastest way to copy an entire diskette. However, if many files have been created and erased on the source diskette, the records belonging to a particular file may be randomly placed on the diskette. In this case, it may be more efficient (although slower) to use PIP to copy the files and thus to put all the records in sequential order on the new diskette.

4.5 SETUP

The SETUP commands is used to update the bootstrap loader to set two parameters: the printer baud rate (bit per second) and the system density. The operation of this command is described as follows:

```
A>SETUP<cr>
```

```
TATUNG MCS COMPUTER SYSTEM
```

```
BOOT SETUP PROGRAM, VERSION 2.2
```

```
SELECT PRINTER BAUD RATE FROM FOLLOWING LIST
```

```
0  CENTRONIX PRINTER (PARALLEL PORT)
1  110 BAUD
2  300 BAUD
3  600 BAUD
4  1200 BAUD
5  2400 BAUD
6  4800 BAUD
7  9600 BAUD
8  19200 BAUD
```

Now, SETUP program wait for you to make choice. You can choose from 0 to 8 to match your printer's baud rate, then screen display as follow:

SELECT DEFAULT MODE FOR DRIVE A,B

1. 8" SINGLE SIDE, SINGLE DENSITY
2. 5.25" SINGLE SIDE, 96TPI
3. 5.25" DOUBLE SIDE, 96TPI
4. 8" SINGLE SIDE, DOUBLE DENSITY
5. 8" DOUBLE SIDE, DOUBLE DENSITY

SELECT BY NUMBER:

After you make selection CRT display as follow:

SELECT DEFAULT MODE FOR DRIVE C,D

1. 8" SINGLE SIDE, SINGLE DENSITY
2. 5.25" SINGLE SIDE, 96TPI
3. 5.25" DOUBLE SIDE, 96TPI
4. 8" SINGLE SIDE, DOUBLE DENSITY
5. 8" DOUBLE SIDE, DOUBLE DENSITY

SELECT BY NUMBER:

At this time, you can select drive mode of drive C and D. If you have not drive C and D depress <cr> to ignore this part, then CRT display as follow:

INPUT DESTINATION DRIVE NAME:

Now, you must insert diskette, which you want update bootstrap, into drive. Depress drive name (A,B,C or D) of this drive, SETUP program will update bootstrap on diskette of selected drive. when procedure is complete, message " CP/M BOOT SECTOR SUCCESSFUL UPDATE " will display on screen and return to system.

4.6 MTS

The MTS program tests a specified range of memory. It asks the user for a range which must begin no lower then 0500H (MTS program location) and no higher than E200H (CBIOS starting address).

The reads and writes each bit cell and displays a count for each successful pass through the range. If a faulty bit is located, the address and its corresponding bit pattern are displayed on the screen.

The detail description of this procedure are shown as below:

1. Insert into the disk drive A: a diskette containing the CP/M system program and the file MTS.COM. MTS is the Memory Test System program.
2. Type "MTS <cr>" on the keyboard.
3. The console will display:

Memory Test Ver 1.0

Range -

The proper response for is "500,E200".

4. The console will begin displaying a message "OK" and a slowly counting string of numbers.
5. Allow the test to run for at least one full line, if no difficulties are encountered.
6. If a bad memory cell is encountered, the system will display a series of numbers from which the bad circuit chip can be identified.

4.7 CRTEST

The CRTEST program is a demonstration program to test TPC-2000 monitor performance. When you press CRTEST<cr> at command line then you will see sixteen combinations of HALF BRIGHT, INVERSE VIDEO, UNDER LINE and BLINKING. A message, "TYPE <ESC> TO RETURN SYSTEM", will display at 23th line of screen.

If you want return system from CRTEST just only press <ESC> then warm start is being executed.

4.8 FUNCTION

The FUNCTION Utility lets user assigns any function he wants to any of his TPC-2000 personal computer function and numeric keypad keys. For example, if you want the Function key labelled F2 to display for drive B when you press F2, then you must assign the directory command to the F2 key using the FUNCTION Utility. When invoked, FUNCTION first display a list of all the function keys and any current function key assignments, this menu is shown like this:

TPC-2000 FUNCTION UTILITY V 2.02 DATE mm/dd/yy

FUNCTION KEY F1 DEFAULT: DIR<CR>

FUNCTION KEY F2 DEFAULT: DIR B:<CR>

FUNCTION KEY F3 DEFAULT: STAT<CR>

FUNCTION KEY F4 DEFAULT: STAT B:<CR>

FUNCTION KEY F5 DEFAULT: PIP<CR>

FUNCTION KEY F6 DEFAULT: PIP B:=A:*. *<CR>

DO YOU WANT MODIFY (Y/N) ?

If you satisfy this default arrangement then press "N" to exit FUNCTION program and create a data file named F.DAT. Otherwise, press "Y" to change default key functions.

After enter "Y" screen will display a message like this:

FUNCTION KEY (F1-F6) NUMBER (1-6) ? ->

You must press the function key number you wish to program or reprogram. Next, prompt jump to selected function and clear command string then wait for you to enter new command string. You must enter the exact command you want the specified function key to reproduce. Press <ESC> to finish programming the key. The screen changes to show the new function key setting, and FUNCTION display "DO YOU WANT MODIFY (Y/N) ?" again and waits for you to press another function key.

The specified command for function keys one through six can be up to sixteen characters long.

COMMAND	PURPOSE
REFORM	Format disks for TPC-2000
DCHECK	Check errors on diskette
MODE	Set drive type and disk density
DCOPY	Copy disks
SETUP	Set up console and printer baud rate
MTS	Memory test
CRTEST	Demostrate performance of monitor
FUNCTION	Set TPC-2000 function keys

SECTION V
TPC-2000 HARDWARE

5.1 Serial Port (SIO or DART)

The Z80A-SIO/Z80A-DART is a dual channel multi-function peripheral component designed to satisfy a wide variety of serial data communications requirements in microcomputer system. Its basic function is a serial-to-parallel, parallel-to-serial converter/controller, but within that role it is configurable by systems software so that its personality can be optimized for a given serial data communications application.

The Z80A-SIO/Z80A-DART in the TPC-2000 is used to drive the system printer and keyboard. The printer port may be used for other serial applications, including a modem interface data communications.

5.2 Parallel Port (PIO)

The Z80A-Parallel I/O (PIO) circuit is a programmable, two port device which provides a TTL compatible interface between peripheral devices and the Z80A-CPU. The CPU can configure the Z80A-PIO to interface with a wide range of peripheral devices with no other external logic required. Typical peripheral devices that are fully compatible with the Z80A-PIO include most keyboards, printer, etc. The Z80A-PIO utilizes N channel silicon gate depletion load technology and is packaged in a 40 pin DIP.

The TPC-2000 has two Z80A-PIOs (each containing two ports). One PIO is used to control the diskette and CRT operations. The other is connected to the external parallel connector and may be used to drive a printer, or any other parallel interface device.

5.3 Counter Timer Circuit (CTC)

The Z80A Counter Timer Circuit (CTC) is a programmable component with four independent channels that provide counting and timing functions for microcomputer systems based on the Z80A-CPU. The CPU can configure the CTC channels to operate under various modes and conditions as required to interface with a wide range of devices. In most applications, little or no external logic is required. The Z80A-CTC utilizes N channel silicon gate depletion load technology and is packaged in a 28 pin DIP.

The TPC-2000 has one CTC with four channels. Channel 0 through 2 are used by the system to control baud rates and head load delay times. The fourth channel is available for the user and could provide the services

of an interval timer or a real time clock.

5.4 Floppy Disk Formatter/Controller (FDC)

It is a programmable floppy disk formatter/controller that interfaces a floppy disk drive directly to a computer interface bus, and provides soft sector formatting.

5.5 CRT Controller (CRTC)

The CRTC of TPC-2000 is SY6545, it is the heart of video display control. That has alphanumeric and limited graphics capabilities, fully programmable display,(rows, columns, blanking, etc.) fully programmable cursor and capable of addressing up to 16K character refresh RAM.

5.6 Serial Keyboard Encoder (SKE)

The MM57499 keyboard encoder, an NMOS silicon gate technology device, is designed to be a minimum IC solution for the purpose of interfacing detached keyboards to terminals. It can reduce the usual 18 to 24-wire keyboard to terminal interconnection to a 5-wire connection.

The 96-key operation is a simple direct interface to 12 X 8 matrix keyboard. The additional capability of a 144-key option can be obtained by implementing an inexpensive 4 to 12-line decoder IC between the MM57499 and a 12 X 12 matrix keyboard. If fewer than 96 or 144 keys are used, no connection is required in the matrix at the unused key locations.

SECTION VI KEYBOARD

The keyboard consists of four main keypads and three LED indicators:

- 1) NUMERIC KEYPADS
- 2) ALPHANUMERIC KEYPADS
- 3) LED INDICATORS
- 4) SPECIAL FUNCTION KEYPADS

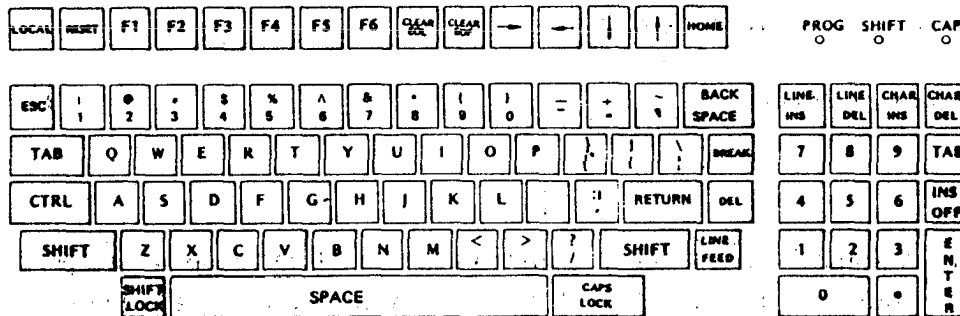


Figure 6-1 TPC-2000 Standard Keyboard Layout

6.1. Numeric Pad Functions:

The numeric keypad enters numbers in calculator fashion. Each key generates the same character as the corresponding numeric key on the alphanumeric keypad. These keys are not affected by SHIFT, CAPS LOCK or CONTROL keys.

The ENTER key generates the termination character same as LINE FEED key on alphanumeric keypad.

The TAB key generates the same code as TAB key on the alphanumeric keypad.

There are five edit function keys LINE INS, LINE DEL, CHAR INS, CHAR DEL and INS OFF which will be discuss in section 6.4.2.

The numeric pad keys are shown as below.

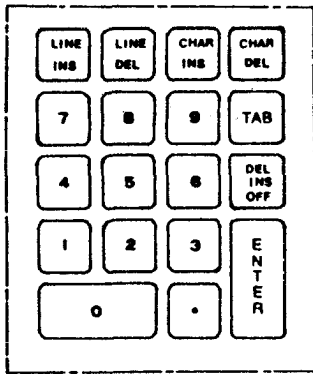


Figure 6-2 Numerical Keypad

6.2 Alphanumeric Keypad

6.2.1 General

The alphanumeric key (A-Z, punctuation, and shiftable numeric keys) are arranged and like the familiar standard typewriter layout, function as such. These keys generate ASCII codes to the computer.

6.2.2 RESET

Press RESET key causes the TPC-2000 to revert to the initial "power on" condition.

6.2.3 SPACE BAR

This key transmits a SP code(20H). If received, it causes the character at the cursor position to be erased and the cursor advances right one character position. After the cursor reaches the last character position of the currently-occupied line, it moves to the next line down. When the cursor reaches the last character position on the bottom display line, further movement causes it to return to first position of next line and screen scroll up one line.

6.2.4 SHIFT

This key is used to change the typewriter alphanumeric characters from lowercase to uppercase in the ALL-CHAR mode. It always selects the upper legend on non-alphanumeric keys.

6.2.5 CTRL

When pressed simultaneously with another key, it transmits a code that has a special meaning to system (See section 6.5.3).

6.2.6 ESC

This key transmits a ESC code (1BH). Depression of ESC, followed by an alphanumeric or symbol key, cause the TPC-2000 to perform an Escape function as described in section 6.5.

6.2.7 DEL

When this key is depressed, it transmits a code (7FH). This code is ignored by the system if received.

6.2.8 BREAK

this key transmits a code (FFH).

6.3 LED Indicator:

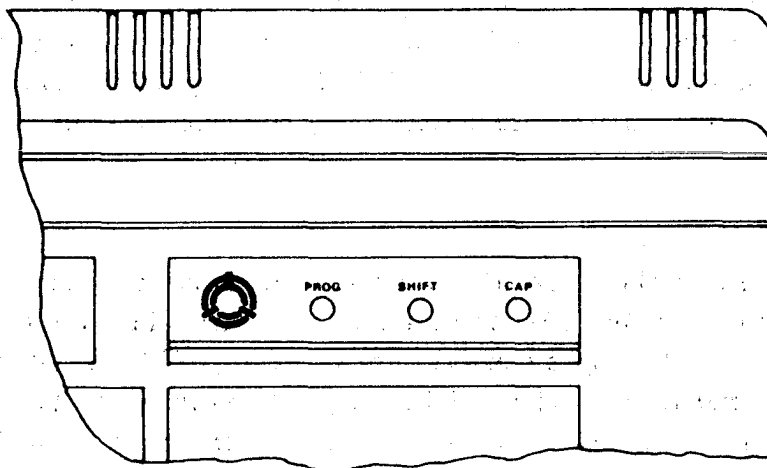


Figure 6-3 LED Indicator:

6.3.1 Programmable Phrase

In many terminal applications a certain word, phrase, name, title, etc. is required periodically. It may also be necessary that indent spacing or a predetermined tab sequence be recalled.

The TPC-2000 key board has the unique capability of storing up to 14 characters of key data, whether they actually be key characters or control codes.

The programming steps are :

- 1 CONTROL ESC (the LED indicator of PROG will turn on)
- 2 Program-up to 14 key strokes
- 3 CONTROL SEMICOLON. (the LED indicator of PROG will turn off)
- 4 For additional recalls of memory key CONTROL SEMICOLON
- 5 For reprogramming, repeat steps 1,2,3 above

Until the CONTROL SEMICOLON is pressed, the key board will remain in programming mode

If the 14 key stroke limit is inadvertently exceeded and additional key strokes are entered, the TPC-2000 will give you a "BEEP" sound.

A power down or a RESET operation will also clear the memory.

6.3.2 SHIFT LOC

When the SHIFT LOC is pressed, the LED indicator of "SHIFT" will turn on, system will wait for another key input and halt display output (same as type ^S), if CP/M is running and all appropriate characters are shifted. A second depression of the SHIFT LOC key will turn off "SHIFT" LED indicator and lower case ASCII is again transmitted.

6.3.3 CAP LOC

The CAP LOC mode will capitalize alphabet and appropriate key, and simultaneously turn on "CAP" LED indicator, system will wait for another key input and halt display output (same as type ^S) if CP/M is running, a second depression of the CAP LOC key transmits a CAP LOC off signal to turn off "CAP" LED indicator and the key board is returned to normal.

When more than one mode is entered coincidentally refer to the key codes for mode dominance.

6.3.4 LOCAL

The only alternate key on the key board is "LOCAL" key, it is available only when the bit 3 (ON/OFF LINE mode) of the DIP SW on rear panel is ON (OFF LINE mode). In this situation, press LOCAL key to switch between ON LINE mode and OFF LINE mode.

6.4 Special Function Keypads

6.4.1 Cursor Movement:

The cursor movement key are shown as below

<--	-->	^	TAB	HOME	LF	BACK SPACE	RETURN	ENTER
<--		v	CURSOR LEFT	ESC	BS			

Depression of this key moves the cursor to the left.
 If the cursor at the first character position on a line, the cursor moves to the last character on the line above and upon reaching home, moves to the last position on the last line.

-->			CURSOR RIGHT	ESC	DLE			
-----	--	--	--------------	-----	-----	--	--	--

Depression of this key moves the cursor to the next character position. When the cursor reaches the last character position on the line, it moves to the first position at the next line down. When the cursor reaches the position on the last line, it moves to the home position.

↑			CURSOR UP	ESC	FF			
---	--	--	-----------	-----	----	--	--	--

Depression of this key moves the cursor to the same character position at the next line above, upon reaching the top line the cursor moves to the same character location in the bottom line.

↓			CURSOR DOWN	ESC	VT			
---	--	--	-------------	-----	----	--	--	--

Depression of this key moves the cursor to the same character position at the next line down, if on the last line, the cursor moves to the same character position on the first line.

TAB			CURSOR TAB	ESC	HT			
-----	--	--	------------	-----	----	--	--	--

The TAB key moves the cursor to the next tabulation position, fixed tab location occur each eight character position i.e. position 1,9,17...etc.

COLUMN BACK			ESC					
-------------	--	--	-----	--	--	--	--	--

Moves the cursor back to 8 character position

LF			LINE FEED	ESC	LF			
----	--	--	-----------	-----	----	--	--	--

Depression of this key cause the cursor to move down one line while occupying the same character position.

BACK SPACE			BACK SPACE		BS			
------------	--	--	------------	--	----	--	--	--

This key is equivalent to the " <-- "key except the ASCII back space code is transmitted when on line.

RETURN CARRIAGE RETURN CR

This key causes the cursor to move to first position of the current line while in Off Line mode (DIP SW-b3 up). If On Line mode is on (DIP SW-b3 down), the cursor advances to the beginning of the following line.

HOME CURSOR HOME DC2

This key causes the cursor to move to its home position.

ENTER ENTER LF

This key duplicates the RETURN key.

6.4.2 Edit Functions

There are seven edit functions on TPC-2000 keyboard.

DEL						
INS	CHAR	LINE	CHAR	LINE	CLEAR	CLEAR
OFF	INS	INS	DEL	DEL	EOL	EOF
			CHAR			
INSERT CHARACTER		INS		ESC		STX

Depression of this key initiates the insert character mode all data on the current line move one character position right of the cursor, as new character are inserted at the cursor location data, at the end of the line are lost.

		LINE			
INSERT LINE		INS		ESC	ENQ

Depressing of this key causes data from the cursor occupied line on down to be moved one line lower. The cursor is positioned to the beginning of the blank line which is created and data may then be entered in that line as desired by the operator.

		CHAR			
DELET CHARACTER		DEL		ESC	SYN

This key causes the character at the current cursor position to be deleted. The remaining data from the cursor position to the end of the

line moves one character position left for each deleted character, spaces for each deleted character are added at the end of the line.

	LINE			
DELET LINE	DEL	ESC	DC3	27 19

This key cause the cursor-occupied line to be deleted and the remaining lines below to move up one line.

	DEL			
	INS			
STOP INSERT MODE	OFF	ESC	SOH	

Depression of this key will stop the mode you just in insert mode.

	CLEAR			
ERASE END OF LINE	EOL	ESC	SI	27 15

This key cause of all displayed data from the current cursor position to the end of the line is erased.

	CLEAR			
ERASE END OF FRAME	EOF	ESC	CAN	27 24 (1B)

This key causes erase of all displayed data from the current cursor position to the end of screen

CLEAR SCREEN	RESET	ESC	FS	27 29
--------------	-------	-----	----	-------

The TPC-2000 may be reset from keyboard, you press the RESET key the TPC-2000 memory is cleared and the program is run just as if the TPC-2000 power switch has been turned off and then back on when this feature is performed the contents of the screen memory are erased.

6.5 Others

6.5.1 Visual Attributes

Associated keys are shown as below

ESC	SP	One character
-----	----	---------------

First press ESC then press SPACE, after that you press one of the following characters, you can get the attributer vision you desired on your screen.

	j	h	C	A	f	d	B	@	k	i	c	I	g	e	b	H
HALF BRIGHT									x	x	x	x	x	x	x	x
INVERSE VIDEO	x	x	x	x					x	x	x	x				
UNDER LINE	x	x			x	x			x	x			x	x		
BLINKING	x		x		x		x		x		x		x		x	

From the above table you can see the character of "@" can turn back to normal video vision

6.5.2 Function Key

The operation of the special function key is determined by the user.

F1 FORMAT:	ESC	NUL	1	any	16	characters	ESC
F2 FORMAT:	ESC	NUL	2	any	16	characters	ESC
F3 FORMAT:	ESC	NUL	3	any	16	characters	ESC
F4 FORMAT:	ESC	NUL	4	any	16	characters	ESC
F5 FORMAT:	ESC	NUL	5	any	16	characters	ESC
F6 FOMAT:	ESC	NUL	6	any	16	characters	ESC

6.5.3 Control Character Codes

CONTROL FUNITION:

To perform a control operation, depress the control key and hold this key down while simultaneously typing the alphanumeric key. It is also used as a safeguard for functions like LINE FEED, RETURN and others so that the accidental striking of these keys does not destroy screen contents or disrupt communications.

BELL	^G
BACK SPACE	^H
COLUMN TAB	^I
LINE FEED	^J
CARRIAGE RETURN	^M
CURSOR RIGHT	^P

6.5.4 Summary

CHARACTER SEND ESC !

Read out a character from cursor address and transmit to HOST.

DIRECT CURSOR ADDRESSING ESC DC1 X Y 27 1A 1B

This command moves the active position to the position specified. where
 X : column number + 20H, Y : row number + 20H

CURSOR SENSEING ESC ENQ 27 5

Sense the cursor location

KEYBOARD LOCK ESC NAK

The keyboard is disabled until keyboard unlock command is received.

KEYBOARD UNLOCK ESC ACK

The keyboard is enable after receiving the command

REVERSE ON ESC EM 27 25

Turn reverse video on

REVERSE OFF ESC US 27 3A

Back to normal video screen vision

COLUMN BACK TAB ESC . 27 3A

CLEAR SCREEN → home + EOF = ~~ESC~~

LOAD FROM HOST ESC ETX

RECEIVE FROM HOST ESC EOT

GOTO SPECIFIC ADDRESS ESC BEL

APPENDIX A
THE ASCII CHARACTER SET

The ASCII character set is listed here in numeric order with the corresponding decimal, hexadecimal, and octal values. The control characters are indicated with a caret (^). For example, the horizontal tab (HT) is formed with control-I (^I).

ASCII symbol	Decimal value	Hex value	Octal value	Control character	Meaning
NUL	0	00	000	^@	Null
SOH	1	01	001	^A	Start of heading
STX	2	02	002	^B	Start of text
ETX	3	03	003	^C	End of text
<u>EOT</u>	4	04	004	^D	End of transmission
<u>ENQ</u>	5	05	005	^E	Inquiry
<u>ACK</u>	6	06	006	^F	Acknowledge
BEL	7	07	007	^G	Bell
BS	8	08	010	^H	Backspace
HT	9	09	011	^I	Horizontal tab
LF	10	0A	012	^J	Line feed
VT	11	0B	013	^K	Vertical tab
FF	12	0C	014	^L	Form feed
CR	13	0D	015	^M	Carriage return
SO	14	0E	016	^N	Shift out
SI	15	0F	017	^O	Shift in
DLE	16	10	020	^P	Data link escape
DC1	17	11	021	^Q	Device control 1
DC2	18	12	022	^R	Device control 2
<u>DC3</u>	19	13	023	^S	Device control 3
<u>DC4</u>	20	14	024	^T	Device control 4
NAK	21	15	025	^U	Negative acknowledge
SYN	22	16	026	^V	Synchronous idle
ETB	23	17	027	^W	End of transmission block
<u>CAN</u>	24	18	030	^X	Cancel
EM	25	19	031	^Y	End of medium
SUB	26	1A	032	^Z	Substitute
ESC	27	1B	033	^[Escape
FS	28	1C	034	^\	File separator
GS	29	1D	035]`	Group separator
RS	30	1E	036	^^	Record separator
US	31	1F	037	^-	Unit separator
SP	32	20	040		Space
!	33	21	041		
"	34	22	042		
#	35	23	043		
\$	36	24	044		
%	37	25	045		
&	38	26	046		
'	39	27	047		Apostrophe

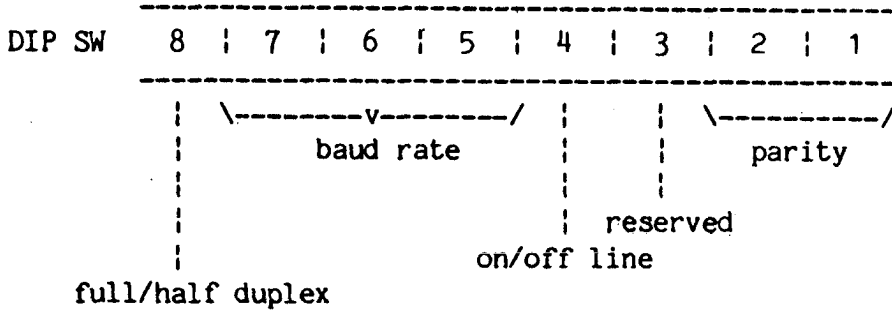
ASCII symbol	Decimal value	Hex value	Octal value	Control character	Meaning
(40	28	050		
)	41	29	051		
*	42	2A	052		
+	43	2B	053		
,	44	2C	054		Comma
-	45	2D	055		Minus
.	46	2E	056		Period
/	47	2F	057		
0	48	30	060		
1	49	31	061		
2	50	32	062		
3	51	33	063		
4	52	34	064		
5	53	35	065		
6	54	36	066		
7	55	37	067		
8	56	38	070		
9	57	39	071		
:	58	3A	072		
;	59	3B	073		
<	60	3C	074		
=	61	3D	075		
>	62	3E	076		
?	63	3F	077		
@	64	40	080		
A	65	41	081		
B	66	42	082		
C	67	43	083		
D	68	44	084		
E	69	45	085		
F	70	46	086		
G	71	47	087		
H	72	48	090		
I	73	49	091		
J	74	4A	092		
K	75	4B	093		
L	76	4C	094		
M	77	4D	095		
N	78	4E	096		
O	79	4F	097		
P	80	50	120		
Q	81	51	121		
R	82	52	122		
S	83	53	123		
T	84	54	124		
U	85	55	125		
V	86	56	126		
W	87	57	127		

ASCII symbol	Decimal value	Hex value	Octal value	Control character	Meaning
X	88	58	130		
Y	89	59	131		
Z	90	5A	132		
[91	5B	133		
\	92	5C	134		
^	93	5D	135		
]	94	5E	136		
_	95	5F	137		Underline
	96	60	140		
a	97	61	141		
b	98	62	142		
c	99	63	143		
d	100	64	144		
e	101	65	145		
f	102	66	146		
g	103	67	147		
h	104	68	150		
i	105	69	151		
j	106	6A	152		
k	107	6B	153		
l	108	6C	154		
m	109	6D	155		
n	110	6E	156		
o	111	6F	157		
p	112	70	160		
q	113	71	161		
r	114	72	162		
s	115	73	163		
t	116	74	164		
u	117	75	165		
v	118	76	166		
w	119	77	167		
x	120	78	170		
y	121	79	171		
z	122	7A	172		
{	123	7B	173		
	124	7C	174		
}	125	7D	175		
~	126	7E	176		
DEL	127	7F	177		Delete

APPENDIX B
INPUT/OUTPUT PORT ASSIGNMENT

PORT NO.	SCHEMATIC	FUNCTION
00	Y0 (CRTC)	Read: status Write: to CRTC register
01	Y0	Read: from selected register Write: to selected register
02	Y0	
03	Y0	Read: display RAM Write: display RAM
04	Y1 (FD1793)	Read: status Write: command
05	Y2	Read: track Write: track
06	Y2	Read: sector Write: sector
07	Y2	Read: data Write: data
08	Y2 (PIO-CHA)	Read: FD1793 interrupt Write: floppy disk drive select, side select, and recording density
09	Y2 (PIO-CHB)	Read: access data to CRTC Write: master reset to FD1793
0A	Y2 (PIO-CHA)	Write command to channel A
0B	Y2 (PIO-CHB)	Write command to channel B
0C	Y3 (CTC-CH0)	Baud rate generator for console
0D	Y3 (CTC-CH1)	Not used
0E	Y3 (CTC-CH2)	Baud rate generator for keyboard
0F	Y3 (CTC-CH3)	Not used
10	Y4 (PIO-CHA)	Parallel I/O port for printer status
11	Y4 (PIO-CHB)	Parallel I/O port to print out data
12	Y4 (PIO-CHA)	Write command to channel A
13	Y4 (PIO-CHB)	Write command to channel B
14	Y5	Reset EPROM containing the initialize program
15	Y5	Ring the bell
16	Y5	High resolution display
17	Y5	Text out display
18	Y6 (DIP SW)	See ""#"
19	Y6	Not used
1A	Y6	Not used
1B	Y6	Not used
1C <i>SIOB-RV</i>	Y7 (SIO-CHB)	Read/Write data to serial I/O port (RS-232C)
1D <i>SIOB</i>	Y7 (SIO-CHB)	Read : status Write : command to serial I/O port channel B
1E	Y7 (SIO-CHA)	Read : keyboard data Write : keyboard indicator
1F	Y7 (SIO-CHA)	Read : status Write : command to serial I/O port channel A
20	Y0 (Virtual disk)	
21	Y1	Write track number
22	Y2	Write sector number
23	Y3	

* :



SW 8: 0 -- Half duplex
 X 1 -- Full duplex

X SW 4: 0 -- On line
 1 -- Off line

SW 3: Reserved

SW 2: Parity --> 0 -- Odd
 1 -- Even

SW 1: Parity enable --> 0 -- Enable
 1 -- Disable X

SW:	7	6	5		Baud Rate
	0	0	0		19200
	0	0	1		9600
	0	1	0		4800
	0	1	1		2400
	1	0	0		1200
	1	0	1		600
X	1	1	0		300
	1	1	1		110

APPENDIX C
FUNCTIONS TABLE LIST

FUNCTIONS	REMOTE CODE SEQUENCE		SINGLE FUNCTION KEY
INSERT OFF	ESC	SOH	INS OFF
INSERT ON	ESC	STX	CHAR INS
CURSOR SENSEING	ESC	ENQ	
DIRECT CURSOR ADDRESSING	ESC	DC1 X Y	
CHARACTER SEND	ESC	!	
KEY BOARD LOCK	ESC	NAK	
KEY BOARD UNLOCK	ESC	ACK	
CURSOR LEFT	ESC	BS	<--
CURSOR DOWN	ESC	VT	↓
CURSOR UP	ESC	FF	↑
CURSOR RIGHT	ESC	DLE	-->
END OF LINE	ESC	SI	EOL
END OF FILE	ESC	CAN	EOF
HOME	ESC	DC2	HOME
DECETE LINE	ESC	DC3	LINE DEL
INSERT LINE	ESC	SUB	LINE INS
REVERSE ON	ESC	EM	
REVERSE OFF	ESC	US	
ATTRIBUTE	ESC	SP C	
BACK TAB	ESC	'	
RESET	ESC	FS	

FUNCTIONS	REMOTE CODE SEQUENCE		SINGLE FUNCTION KEY
DELECT CHARACTER	ESC	SYN	
LOAD FROM HOST	ESC	ETX	
RECENE FROM HOST	ESC	EOT	
GO TO SPECIFIC ADDRESS	ESC	BEL	

APPENDIX D
TPC-2000 KEYSTROKES AND CODES

The following table lists the keystrokes and internal codes of TPC-2000

key	code	key	code	key	code
A	41	a	61	ESC	1B
B	42	b	62	TAB	09
C	43	c	63	BACK SPACE	08
D	44	d	64	BREAK	FF
E	45	e	65	DEL	30
F	46	f	66	RETURN	0D
G	47	g	67	LINE FEED	0A
H	48	h	68	LINE INS	93 ¹⁴⁵
I	49	i	69	LINE DEL	91
J	4A	j	6A	CHAR INS	88
K	4B	k	6B	CHAR DEL	92
L	4C	l	6C	DEL CHAR INS	8C
M	4D	m	6D	ENTER	0D
N	4E	n	6E	RESET	90
O	4F	o	6F	F1	80 ¹²⁸
P	50	p	70	F2	81 ¹²⁹
Q	51	q	71	F3	82 ¹³⁰
R	52	r	72	F4	83 ¹³¹
S	53	s	73	F5	84 ¹³²
T	54	t	74	F6	85 ¹³³
U	55	u	75	EOL	8F
V	56	v	76	EOF	8E
W	57	w	77	HOME	94
X	58	x	78	->	98 ¹⁵²
Y	59	y	79	<-	97 ¹⁵¹
Z	5A	z	7A	↓	96 ¹⁵⁰
				↑	95 ¹⁴⁹
1	31	!	21	}	5B
2	32	@	22	{	7B
3	33	#	23	}	5D
4	34	\$	24	[7D
5	35	%	25	\	5C
6	36	^	26		7C
7	37	&	27	:	2A
8	38	*	28	;	3A
9	39	(29	"	2B
0	3A)	7F	'	3B
-	7E	_	5E	,	2C
=	2D	+	3D	<	3C
`	40	~	60	.	2E
				>	3E
				/	2F
				?	3F

Note : Alphanumeric keypad "0" key code is 8BH
Numerical keypad "0" key code is 5FH.

APPENDIX E
SYSTEM STARTUP CHECKLIST

1. Power on (all devices).
2. Insert system diskette in drive A.
3. Press the RESET key.
4. Press the function key F1 to boot system.
5. Prompt symbol "A>" indicates good system load.

APPENDIX F
INTERPRETATION OF DISK CONTROLLER STATUS

Bit	All Type 1 Commands	Read Address	Read	Write
s7	Not ready	Not ready	Not ready	Not ready
s6	Write prot	0	Record type	Write prot
s5	Head loaded	0	Record type	Write fault
s4	Seek error	ID not fnd	Rec not fnd	Rec not fnd
s3	CRC error	CRC error	CRC error	CRC error
s2	Track 0	Lost data	Lost data	Lost data
s1	Index	DRQ	DRQ	DRQ
s0	Busy	Busy	Busy	Busy

The format of the Status Register is shown below.

Bits							
7	6	5	4	3	2	1	0
b7	b6	b5	b4	b3	b2	b1	b0

When a permanent error is detected on disk, the TATUNG CBIOS will display the following message :

PERMANENT DISK ERROR, TRACK tt, SECTOR ss, STATUS xx

where tt and ss are the track number and sector number in error and status xx indicates the nature of the error as defined in the above table.

For example :

Status xx	Reason
10	Record not found
08	CRC error
80	Disk not ready
40	Write protect

APPENDIX G
FAILURE CHECKLIST

1. NOTHING WORKS

--- Check mechanical connections:

Power cords
Cables
Switches "on"
Fuses

2. PRINTER OUT

--- Try the printer in "local"
--- Execute CTRL P from the console
--- Check all settings
--- Re-insert paper properly
--- Check fuse

3. PRINTER DOES NOT STOP

--- Hit CTRL P
--- Hit CTRL C
--- Turn printer off

4. SYSTEM OUT

--- Reboot (CTRL C)
--- Stop the system and execute complete restart

5. DISK DRIVE ON CONTINUOUSLY

--- No diskette in. Insert one.
--- Remove diskette, restart procedure

6. GROSSLY ANOMALOUS BEHAVIOR

--- Suspect operator error. Try again. Check for correct system diskette and correct settings on printer.
--- Suspect damaged system diskette. Replace with fresh copy.
--- Suspect damaged application program. Replace with fresh copy.
--- Turn everything off. Try again.
--- Suspect hardware failure.

APPENDIX H TROUBLESHOOTING

H.1 Basic rule

In this order :

1. Suspect operator error
2. Suspect damaged diskette
3. Suspect software
4. Suspect hardware

Keep detailed documentation about the failure.

Try again from scratch. Use fresh diskette. Check all mechanical setting and connections.

H.2 Troubleshooting guide

1. Symptom: No cursor visible on screen.

Possible cause: No power to display.

Possible cure: Check fuses; check power cord; check power outlet.

2. Symptom: Incorrect symbols appear on screen when typing.

Possible cause: Parity on; incorrect baud rate.

Possible cure: Set console parity to "off"; set console baud rate switch to "9600 bps".

3. Symptom: Double symbols appear on CRT when typing.

Possible cause: Console in Half Duplex mode.

Possible cure: set console to Full Duplex mode.

4. Symptom: No symbols appear on the CRT when typing.

Possible cause: Console send/receive mode not set; monitor not connected to computer's monitor jack; display brightness set too low.

Possible cure: Set send/receive mode on console; check cables and plugs adjust brightness.

5. Symptom: CP/M symbols "A>" not displayed after RESET and F1 key has been pressed.

Possible cause: CP/M not successful loaded; incorrect version of CP/M for your machine; operating system program cannot found on diskette in drive A; system bootstrap program problem.

Possible cure: Insert a known good system diskette in drive A and press RESET F1 button. If one diskette works but

another doesn't, perform SYSGEN or DCOPY SYSTEM operation, copying from good diskette to bad diskette.

6. Symptom: Miscellaneous errors occur during execution of programs.

Possible cause: Bad memory circuit chip; bad disk.

Possible cure: Perform MTS; if bad memory chip is found contact TATUNG. Perform DCHECK; if bad diskette is detected, replace with good diskette. If problem continues, contact TATUNG.

7. Symptom: Unable to load and execute programs.

See symptom number 6.

8. Symptom: Unable to print on printer.

Possible cause: Defective printer cable; incompatible wiring between printer and computer, incomplete setup of either printer or computer.

Possible cure: Check all interconnecting wiring; ensure that power is on to printer; perform SETUP procedure.